

US00D665639S

(12) **United States Design Patent**  
**Albertson**

(10) **Patent No.:** **US D665,639 S**

(45) **Date of Patent:** **\*\* Aug. 21, 2012**

(54) **COMBINED SOCKET WRENCH AND  
SOCKET HOLDER**

(76) Inventor: **Robert V. Albertson**, Alma, WI (US)

(\*\*) Term: **14 Years**

(21) Appl. No.: **29/372,859**

(22) Filed: **Jan. 25, 2011**

(51) **LOC (9) Cl.** ..... **08-05**

(52) **U.S. Cl.** ..... **D8/25**

(58) **Field of Classification Search** ..... D8/17,  
D8/21-29, 97, 107; 81/60, 177.1, 177.85,  
81/121.1, 124.3, 165-170, 110.1, 176.2,  
81/124.6, 176.1, 176.15, 177.2, 186; 16/110.1;  
D15/144.1; 219/75, 227, 229, 121.16, 121.18;  
206/550-566; D24/230; D3/304-315, 901,  
D3/905

See application file for complete search history.

(56) **References Cited**

U.S. PATENT DOCUMENTS

2,065,340	A *	12/1936	McNaught et al.	.....	206/375
4,627,315	A *	12/1986	Lin	.....	81/177.4
D310,770	S *	9/1990	Zamarripa	.....	D8/29
D342,880	S *	1/1994	Clancy	.....	D6/467
5,626,061	A *	5/1997	Whitley	.....	81/63
5,743,395	A *	4/1998	Backer	.....	206/378
6,216,565	B1 *	4/2001	McCann	.....	81/177.8
D443,160	S *	6/2001	Ernst	.....	D6/553
D457,319	S *	5/2002	Fairchild	.....	D3/310
D466,382	S *	12/2002	Sorensen et al.	.....	D8/29
7,066,055	B1 *	6/2006	Lee	.....	81/63

D526,865	S *	8/2006	Liao	.....	D8/25
D558,009	S *	12/2007	Kinsky	.....	D8/25
7,997,168	B2 *	8/2011	Kinsky	.....	81/63
8,047,101	B2 *	11/2011	Cross et al.	.....	81/63.1
2002/0104410	A1 *	8/2002	Wang	.....	81/177.1
2003/0230175	A1 *	12/2003	Benatz et al.	.....	81/177.4

\* cited by examiner

*Primary Examiner* — Raphael Barkai

*Assistant Examiner* — Randall H Gholson

(74) *Attorney, Agent, or Firm* — Richard John Bartz

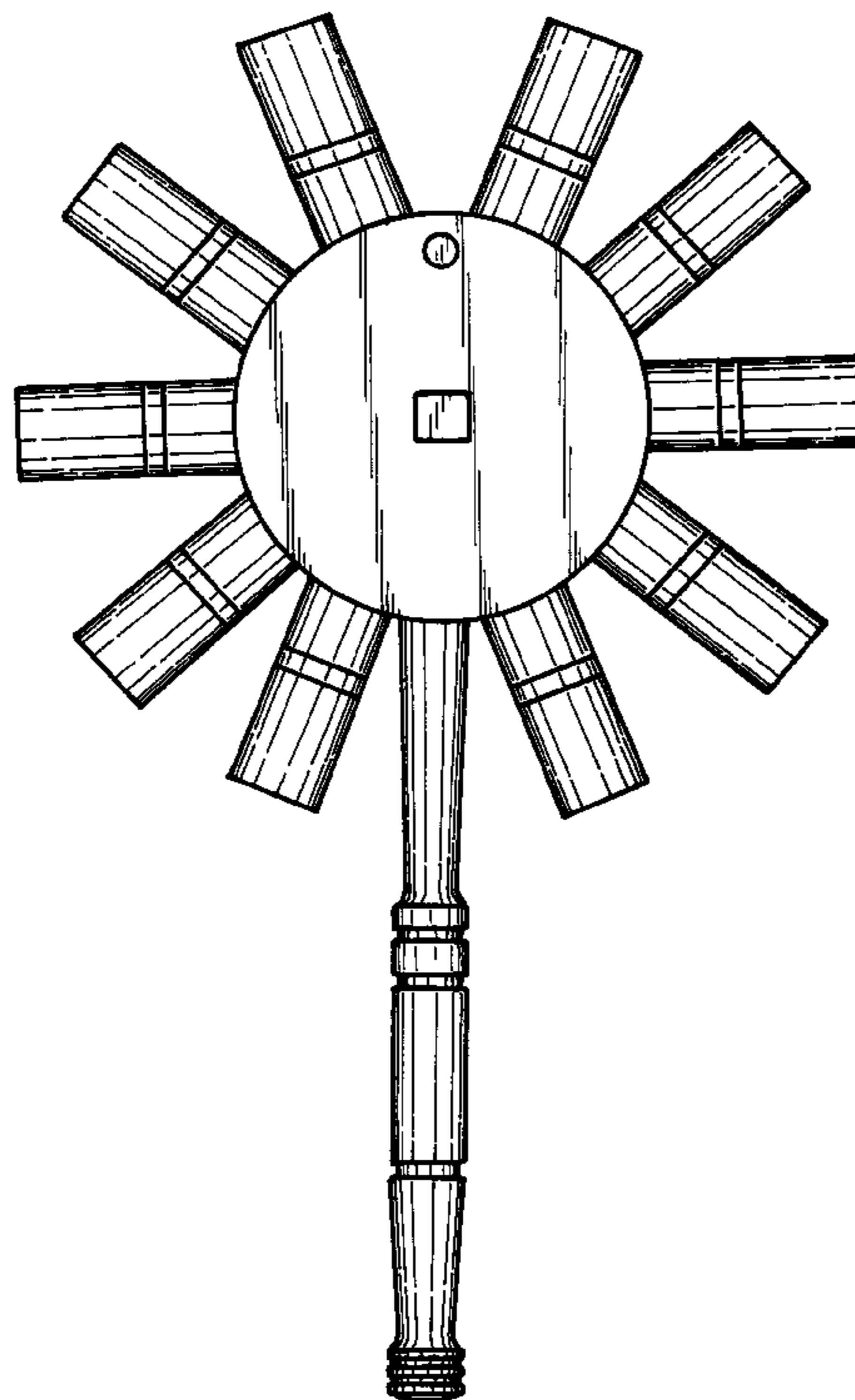
(57) **CLAIM**

The ornamental design of the combined socket wrench and socket holder, as shown and described.

**DESCRIPTION**

FIG. 1 is a front elevational view of the combined socket wrench and socket holder of my new design;  
 FIG. 2 is a rear elevational view thereof;  
 FIG. 3 is a side elevational view of the right side thereof;  
 FIG. 4 is a side elevational view of the left side thereof;  
 FIG. 5 is a top plan view thereof;  
 FIG. 6 is a bottom plan view thereof;  
 FIG. 7 is a front elevational view of the socket holder of FIG. 1;  
 FIG. 8 is a side elevational view of FIG. 7, the opposite side elevational view being a mirror image thereof; and,  
 FIG. 9 is a top plan view of FIG. 7, the bottom plan view being a mirror image thereof.  
 The socket holder of the combined socket wrench and socket holder is shown separately for ease of illustration.

**1 Claim, 5 Drawing Sheets**



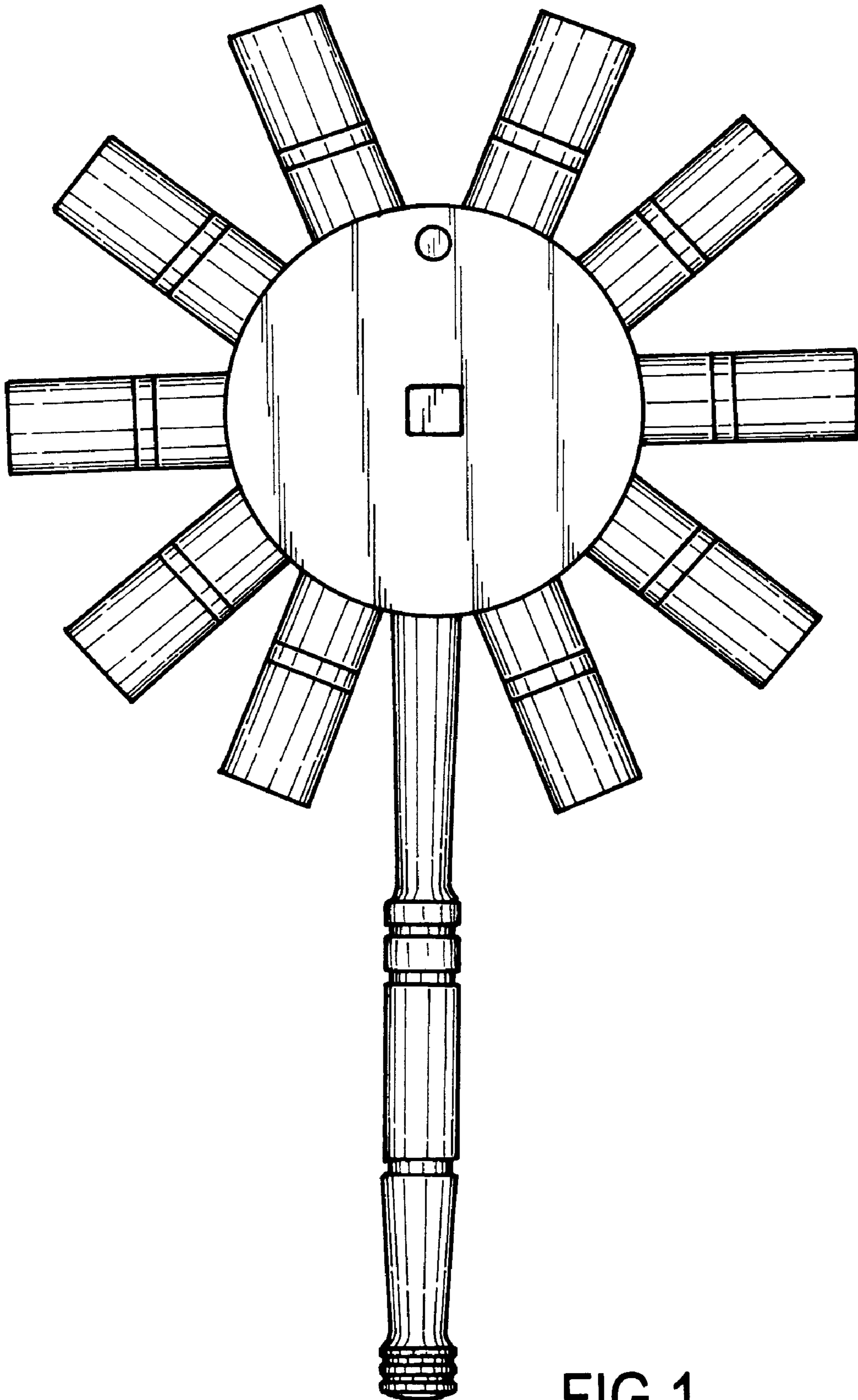


FIG.1

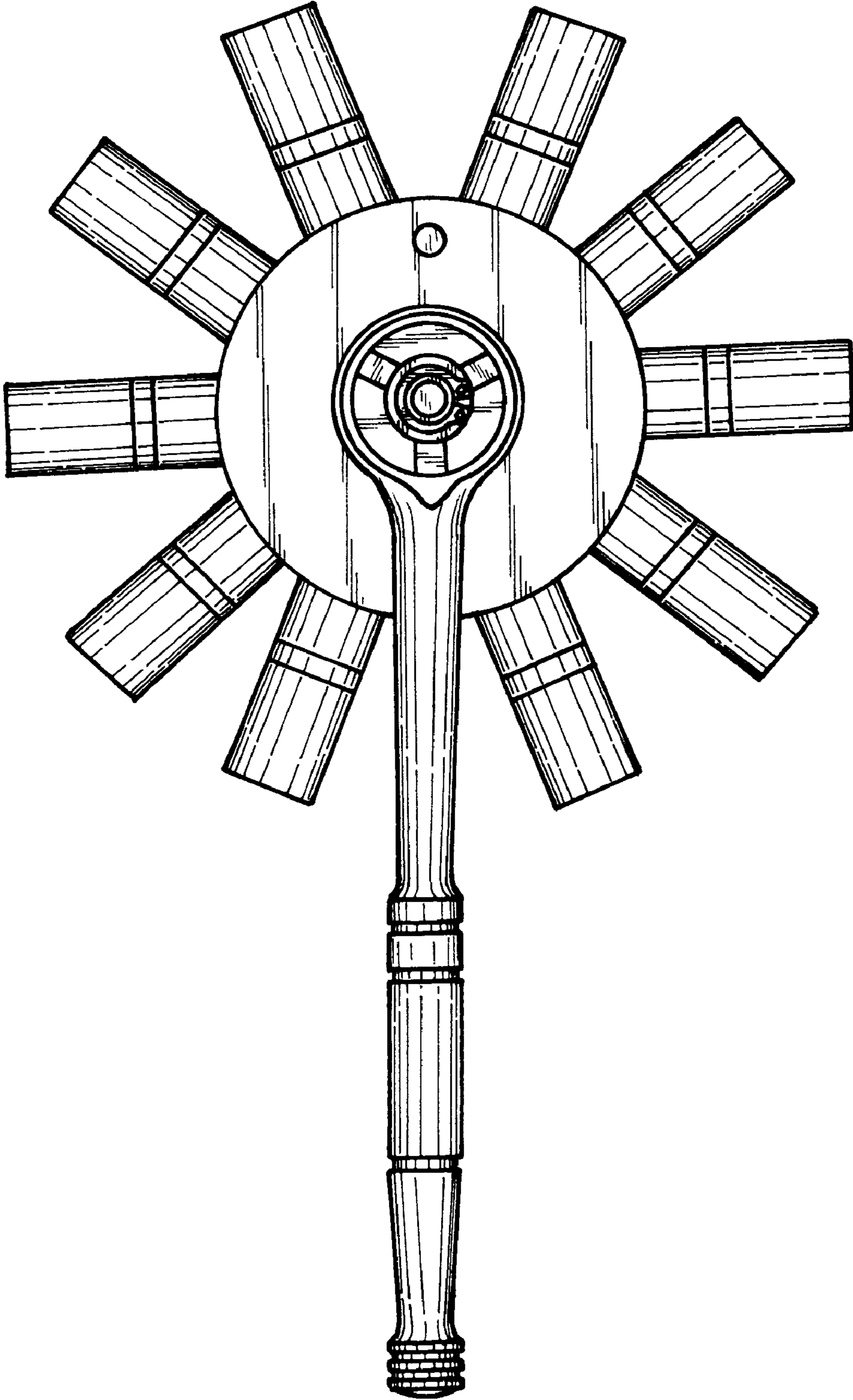


FIG.2

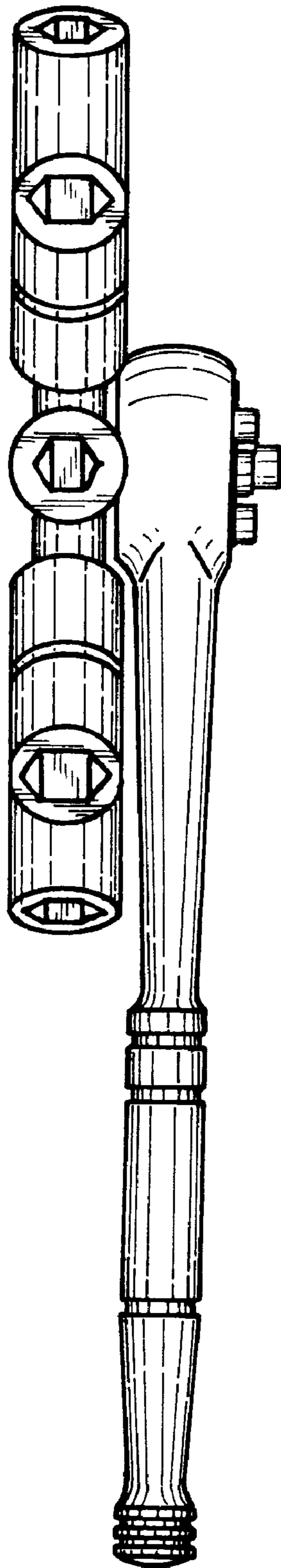


FIG.3

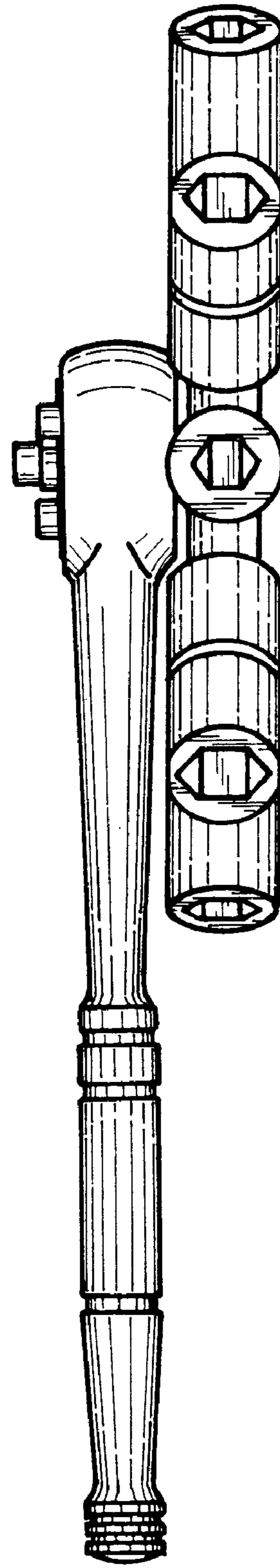


FIG.4

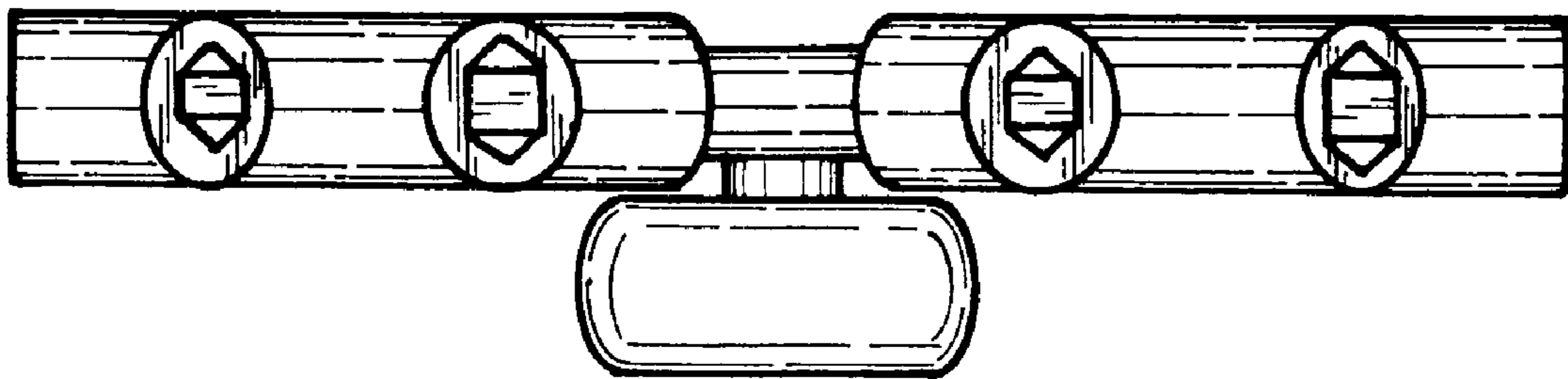


FIG.5

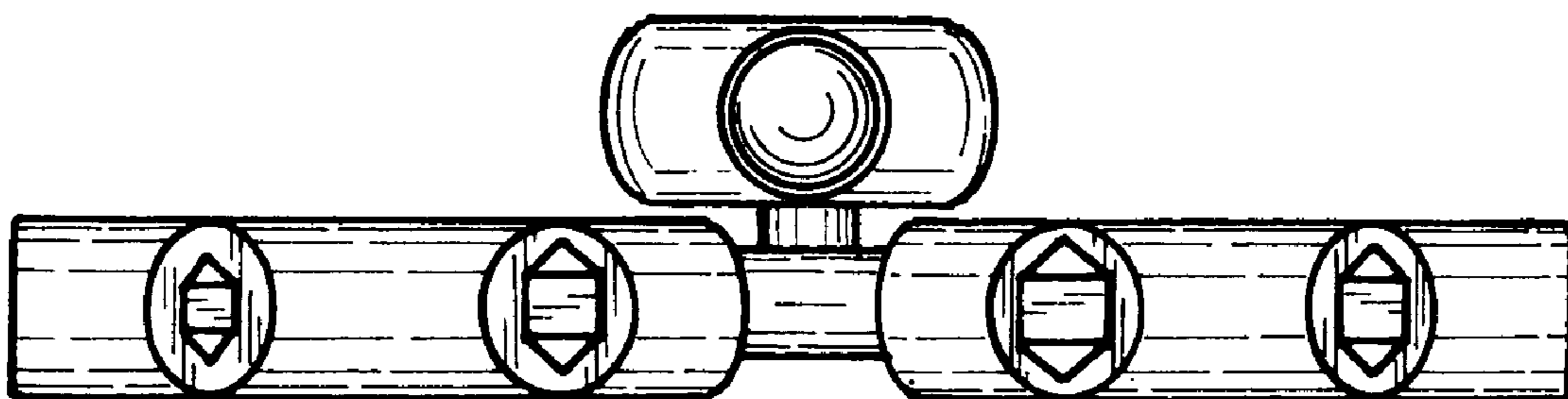


FIG.6

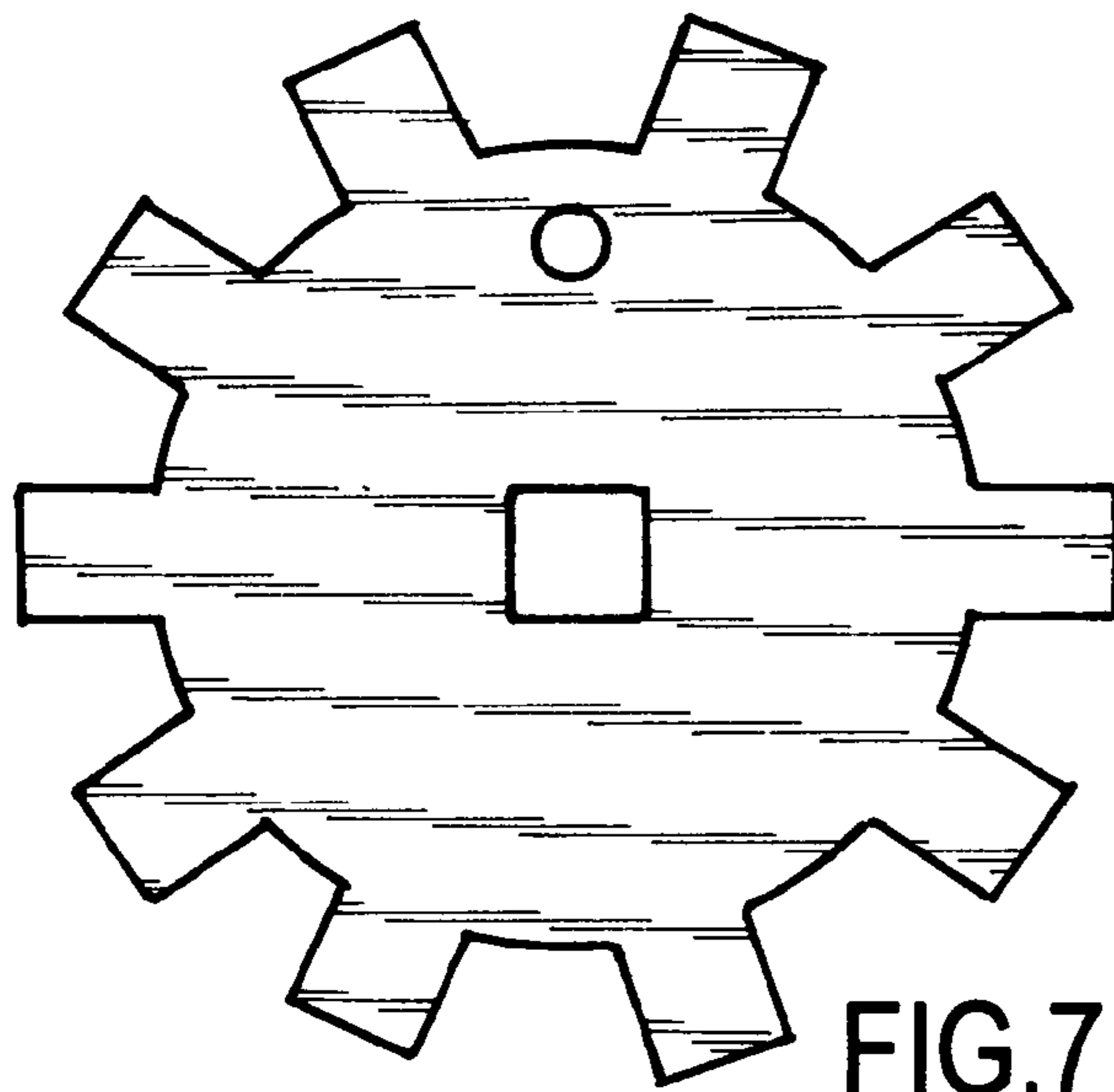


FIG. 7



FIG. 8



FIG. 9