

US00D665637S

(12) **United States Design Patent**
Baker

(10) **Patent No.:** **US D665,637 S**

(45) **Date of Patent:** **** Aug. 21, 2012**

- (54) **SHOVEL BLADE**
- (75) Inventor: **Bruce Baker**, Ann Arbor, MI (US)
- (73) Assignee: **Radius Garden LLC**, Ann Arbor, MI (US)
- (**) Term: **14 Years**
- (21) Appl. No.: **29/405,208**
- (22) Filed: **Oct. 31, 2011**
- (51) **LOC (9) Cl.** **08-01**
- (52) **U.S. Cl.** **D8/10**
- (58) **Field of Classification Search** D8/1, 10, D8/7, 11, 9; 294/49, 53.5, 54.5, 57, 55.5, 294/51, 56, 58; 56/400.01, 400.14; 172/371-372; D30/162; 209/418-419
See application file for complete search history.

D482,249 S	11/2003	Atnip et al.
D487,010 S	2/2004	Marquardt et al.
D500,432 S	1/2005	Villani
7,070,006 B2	7/2006	Villani
D534,045 S	12/2006	Fortier
D570,653 S	6/2008	Baker
D588,424 S	3/2009	Baker
D596,470 S	7/2009	Greenly
D600,994 S	9/2009	Fultz
D601,867 S	10/2009	Carroll
D602,751 S	10/2009	Boies et al.
D604,128 S	11/2009	Carroll
D606,817 S	12/2009	Boies
D617,615 S	6/2010	Randolph et al.
D617,616 S	6/2010	Randolph et al.
D626,389 S	11/2010	Randolph et al.
D626,390 S	11/2010	Randolph et al.
D628,452 S	12/2010	Randolph et al.
D634,996 S	3/2011	Randolph et al.
D648,994 S	11/2011	Randolph et al.
D650,250 S	12/2011	Frenkel
D653,510 S *	2/2012	Huff D8/10

* cited by examiner

(56) **References Cited**

U.S. PATENT DOCUMENTS

1,762,718 A	6/1930	Hervey	
2,380,361 A	7/1945	Harte	
2,843,359 A	7/1958	Franz et al.	
D214,662 S	7/1969	Portz	
3,848,915 A	11/1974	Wherry	
3,945,065 A	3/1976	Dushku	
D242,520 S	11/1976	Nollar	
D292,061 S	9/1987	Germain	
D294,555 S	3/1988	Tremaine	
4,786,095 A	11/1988	Dumont	
D300,199 S	3/1989	Ipema	
5,165,144 A	11/1992	Nisenbaum	
5,533,768 A	7/1996	Mitchell	
6,170,893 B1 *	1/2001	Parker 294/49
D477,193 S	7/2003	Atnip et al.	

Primary Examiner — Sheryl Lane

(74) *Attorney, Agent, or Firm* — Gifford, Krass, Sprinkle, Anderson & Citkowski, P.C.

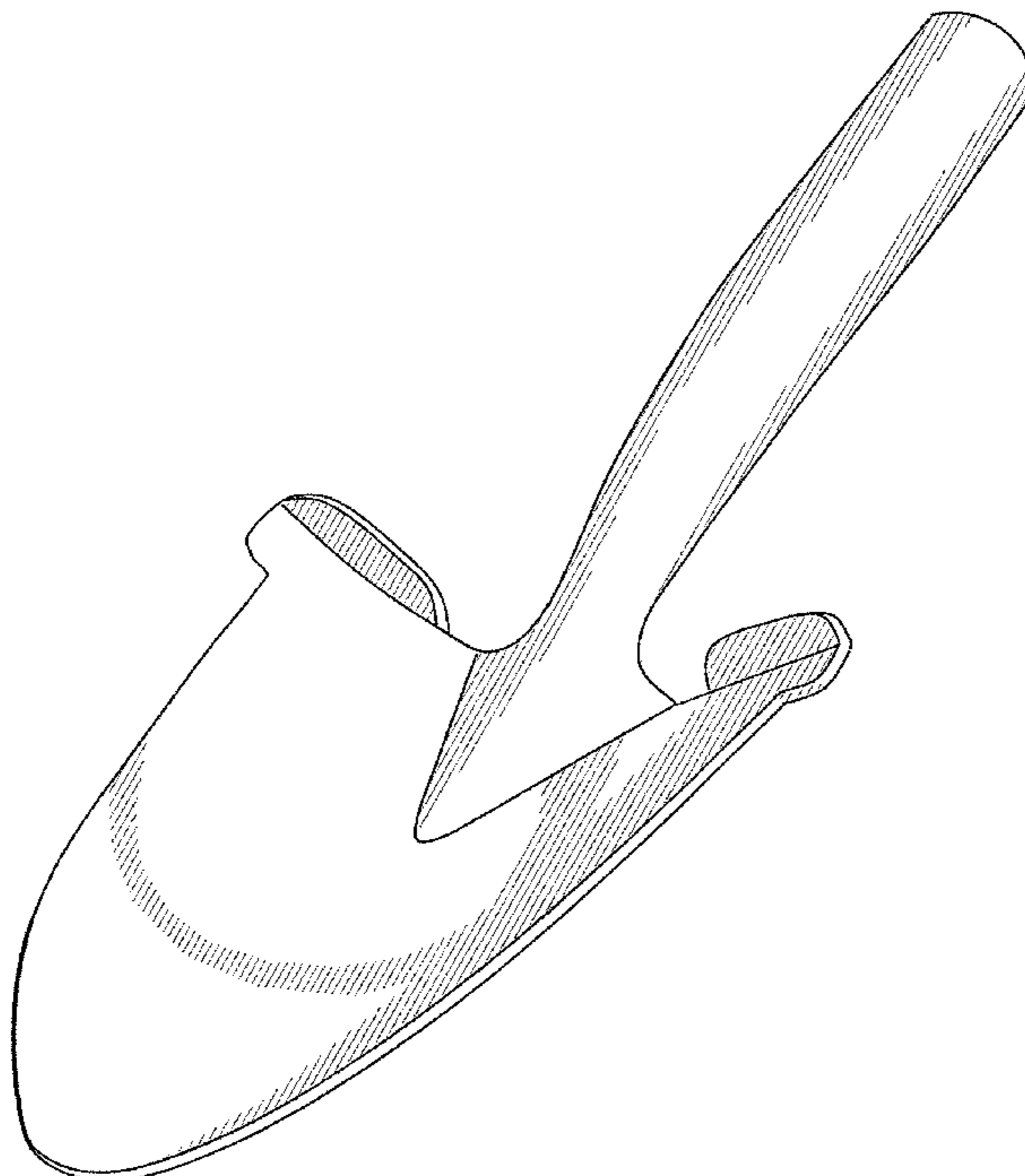
(57) **CLAIM**

The ornamental design for a shovel blade, as shown and described.

DESCRIPTION

FIG. 1 is a perspective view of the present invention; FIG. 2 is a side view of the present invention; FIG. 3 is a front view of the present invention; and, FIG. 4 is a back view of the present invention.

1 Claim, 2 Drawing Sheets



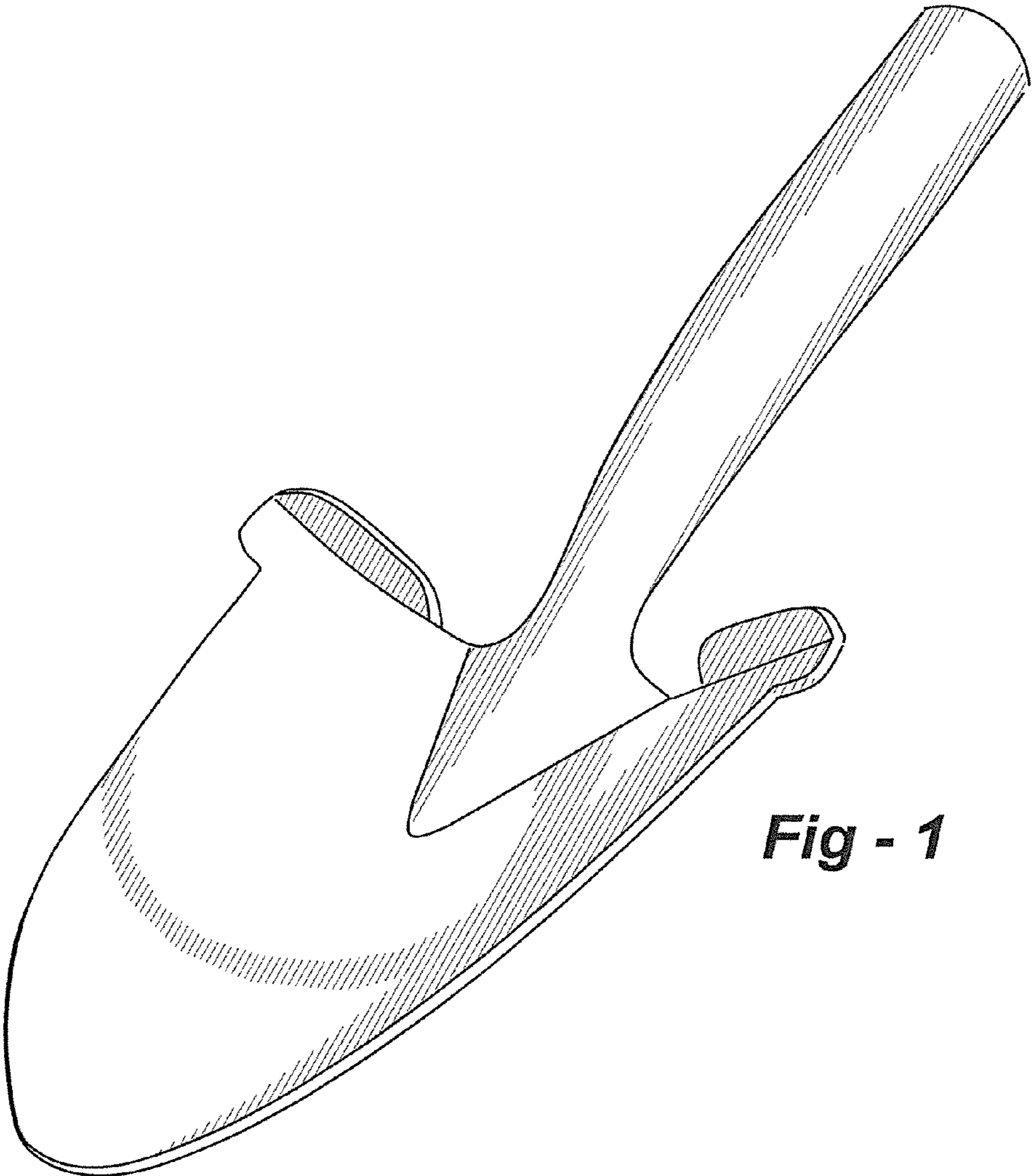


Fig - 1

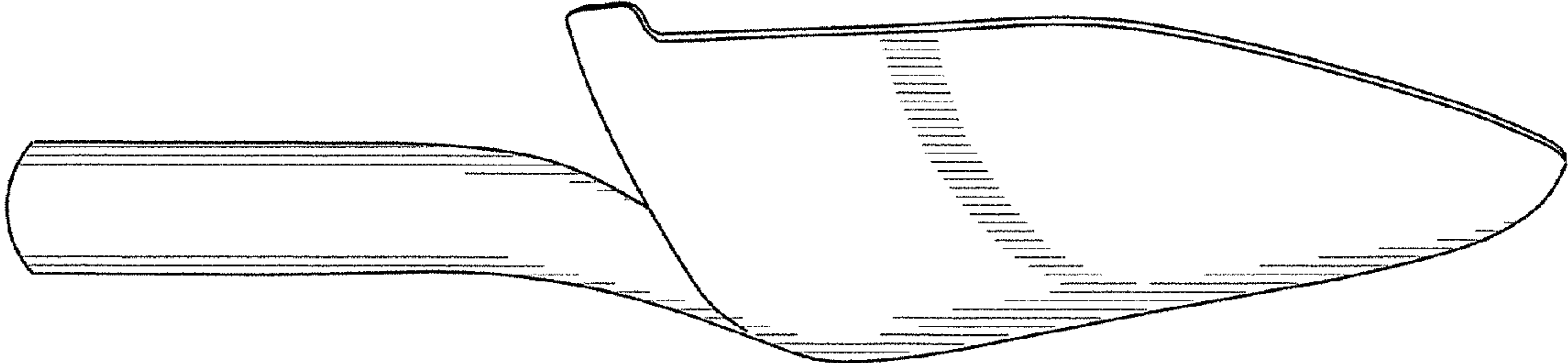


Fig - 2

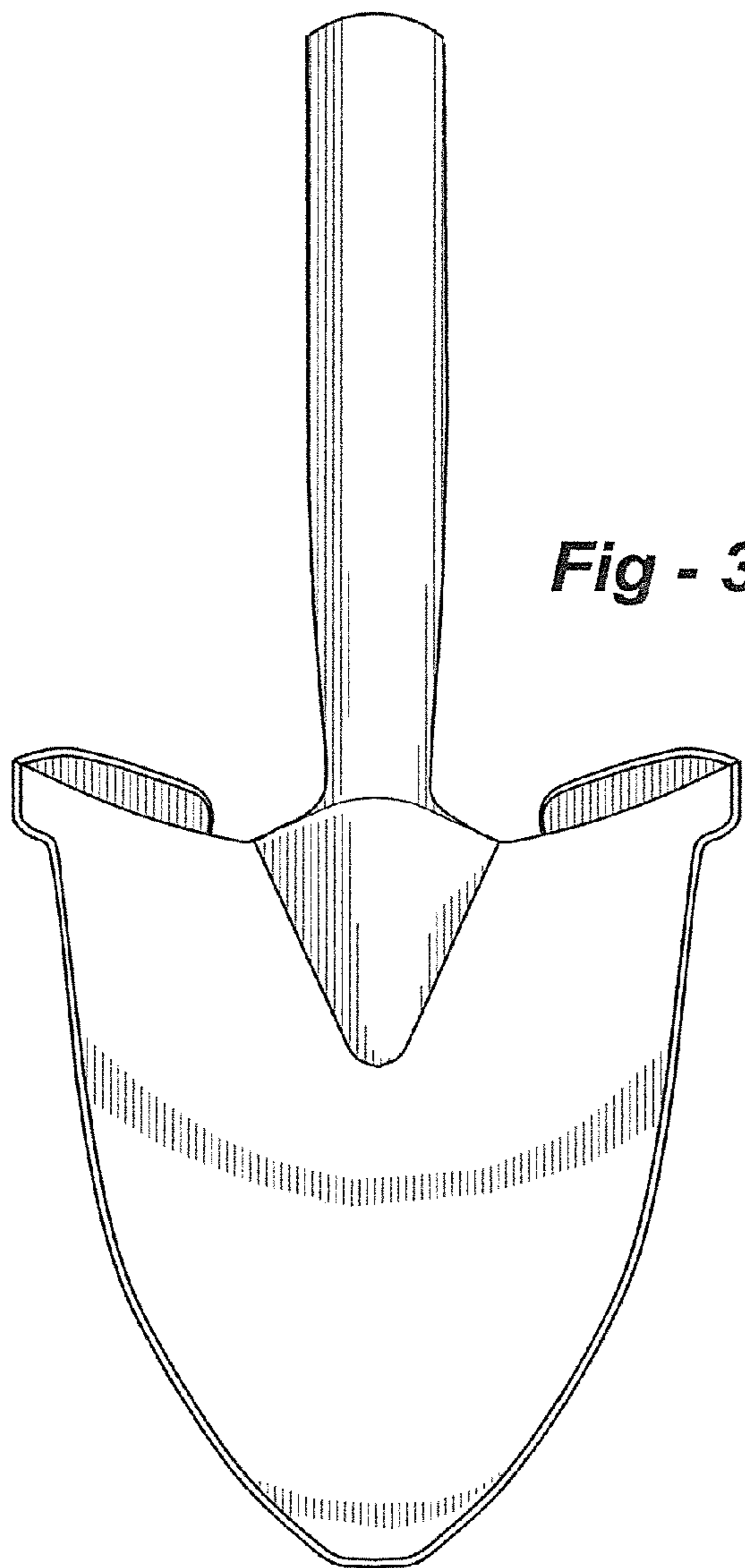


Fig - 3

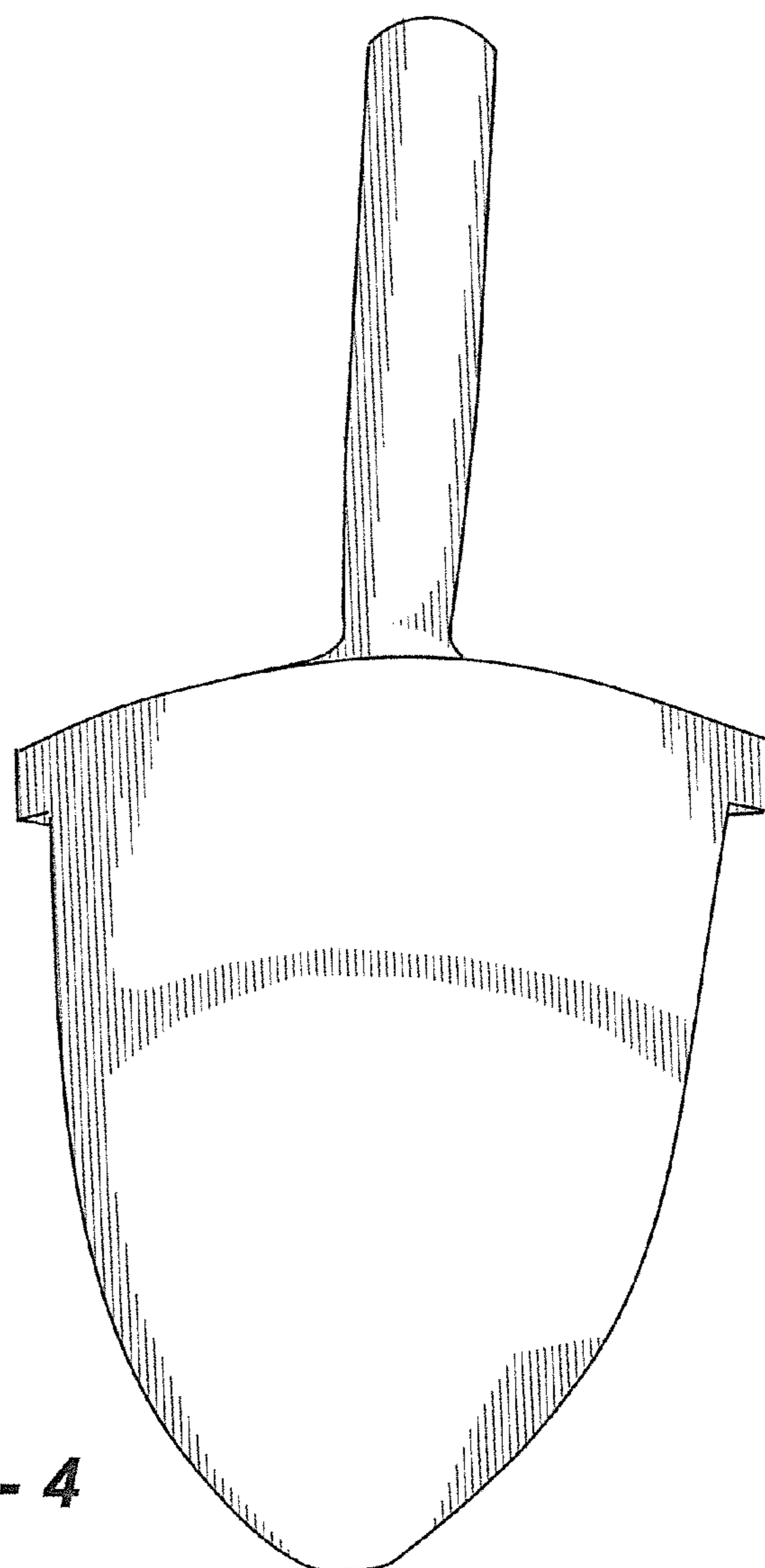


Fig - 4