

US00D665636S

(12) **United States Design Patent**
Gray

(10) **Patent No.:** **US D665,636 S**

(45) **Date of Patent:** **** Aug. 21, 2012**

(54) **HIGH-LEVERAGE WEEDER**

(76) **Inventor:** **Ronald E. Gray, Sequim, WA (US)**

(**) **Term:** **14 Years**

(21) **Appl. No.:** **29/385,783**

(22) **Filed:** **Feb. 18, 2011**

(51) **LOC (9) Cl.** **08-01**

(52) **U.S. Cl.** **D8/1**

(58) **Field of Classification Search** D8/8, 1,
D8/7; D15/12; 172/381; 294/50.7-50.9,
294/65.5

See application file for complete search history.

(56) **References Cited**

U.S. PATENT DOCUMENTS

D234,018 S * 12/1974 De Brey D8/8
5,232,256 A * 8/1993 Forbes 294/50.9
5,234,241 A * 8/1993 Ikerd 294/50.8
D550,525 S * 9/2007 Aglassinger D8/8

D585,253 S * 1/2009 Aglassinger D8/8
7,819,447 B1 * 10/2010 Ange 294/50.9
D646,131 S * 10/2011 Renfu D8/7

* cited by examiner

Primary Examiner — Sheryl Lane

(74) *Attorney, Agent, or Firm* — QuickPatents, Inc.; Kevin Prince

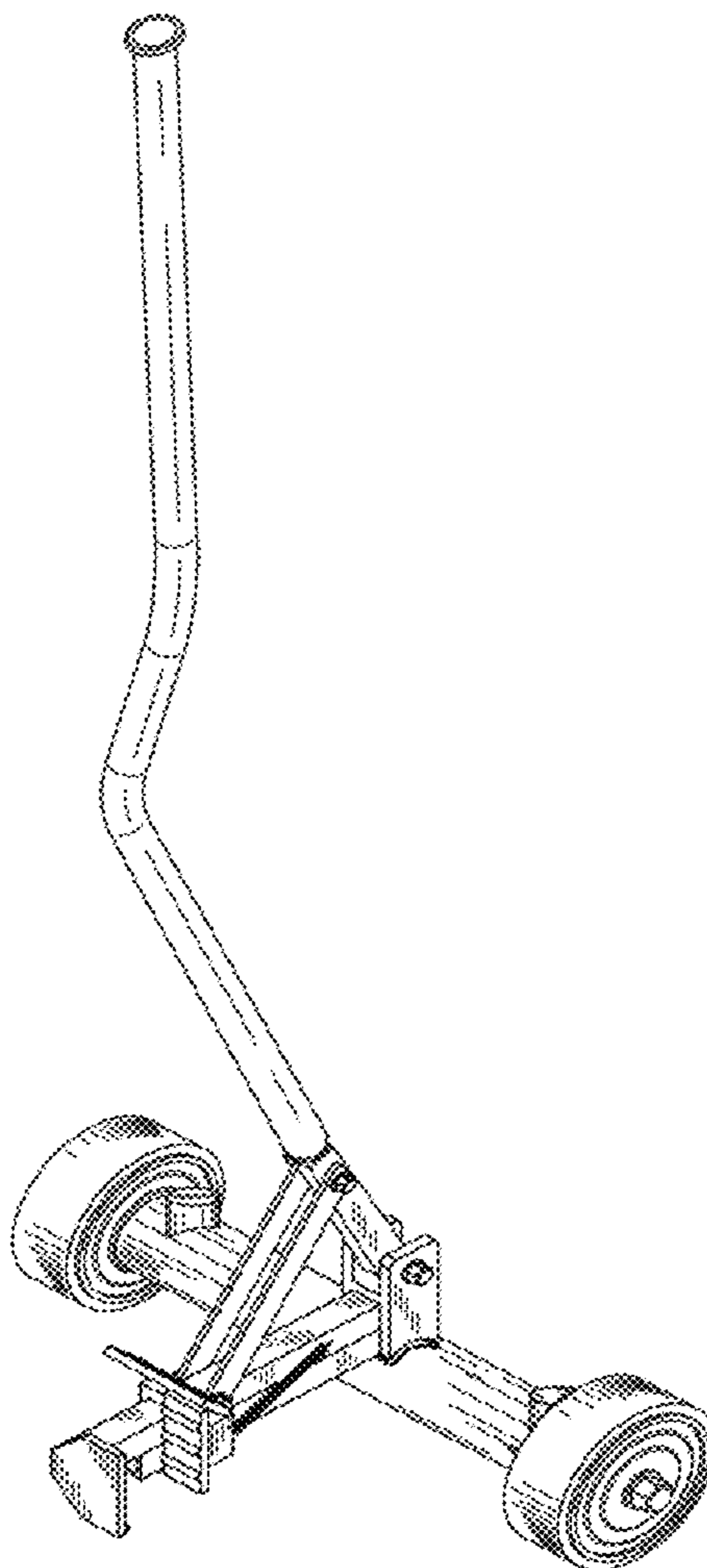
(57) **CLAIM**

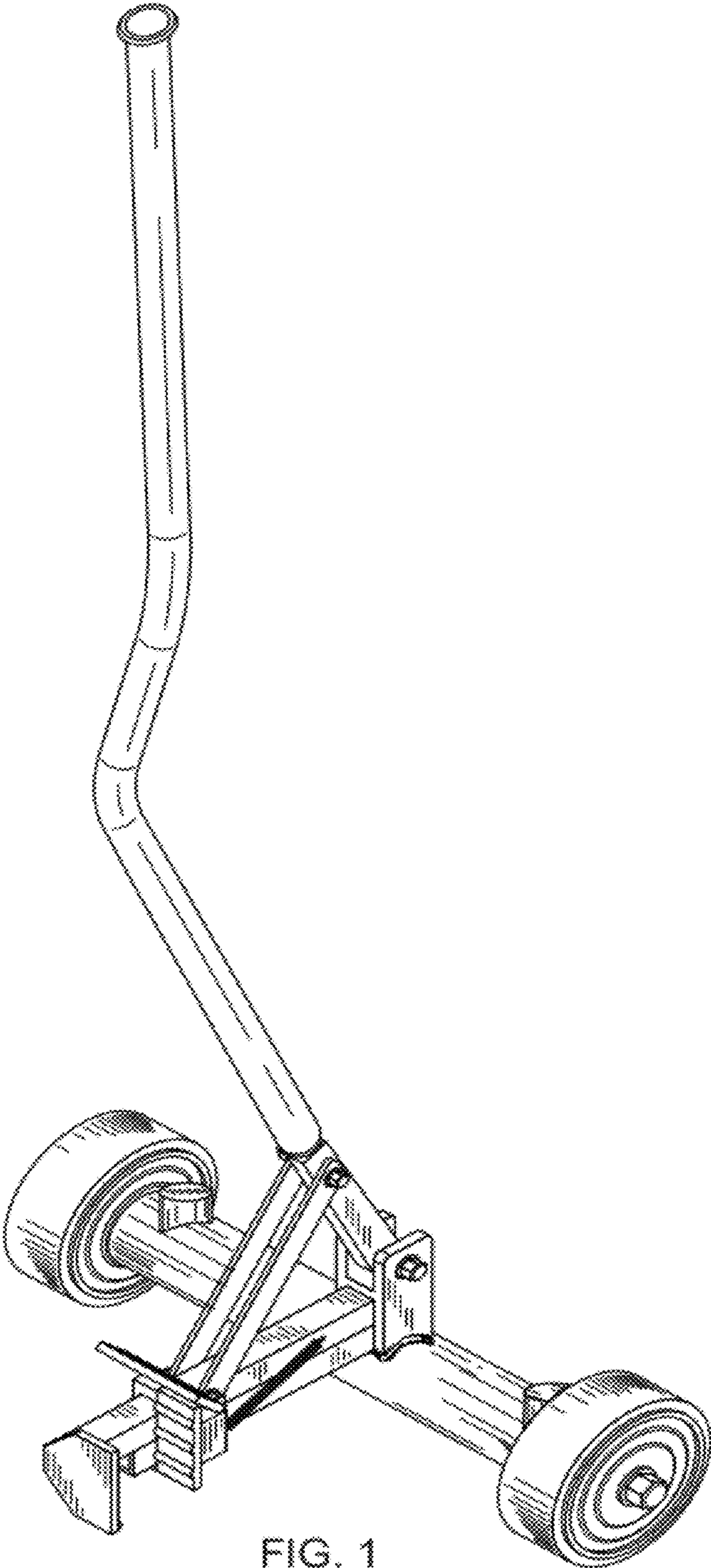
I claim the ornamental design for a high-leverage weeder, as shown and described.

DESCRIPTION

FIG. 1 is a perspective view of a high-leverage weeder, showing my new design;
FIG. 2 is a front elevational view thereof;
FIG. 3 is a rear elevational view thereof;
FIG. 4 is a right-side elevational view thereof;
FIG. 5 is a left-side elevational view thereof;
FIG. 6 is an enlarged top plan view thereof; and,
FIG. 7 is an enlarged bottom plan view thereof.

1 Claim, 6 Drawing Sheets





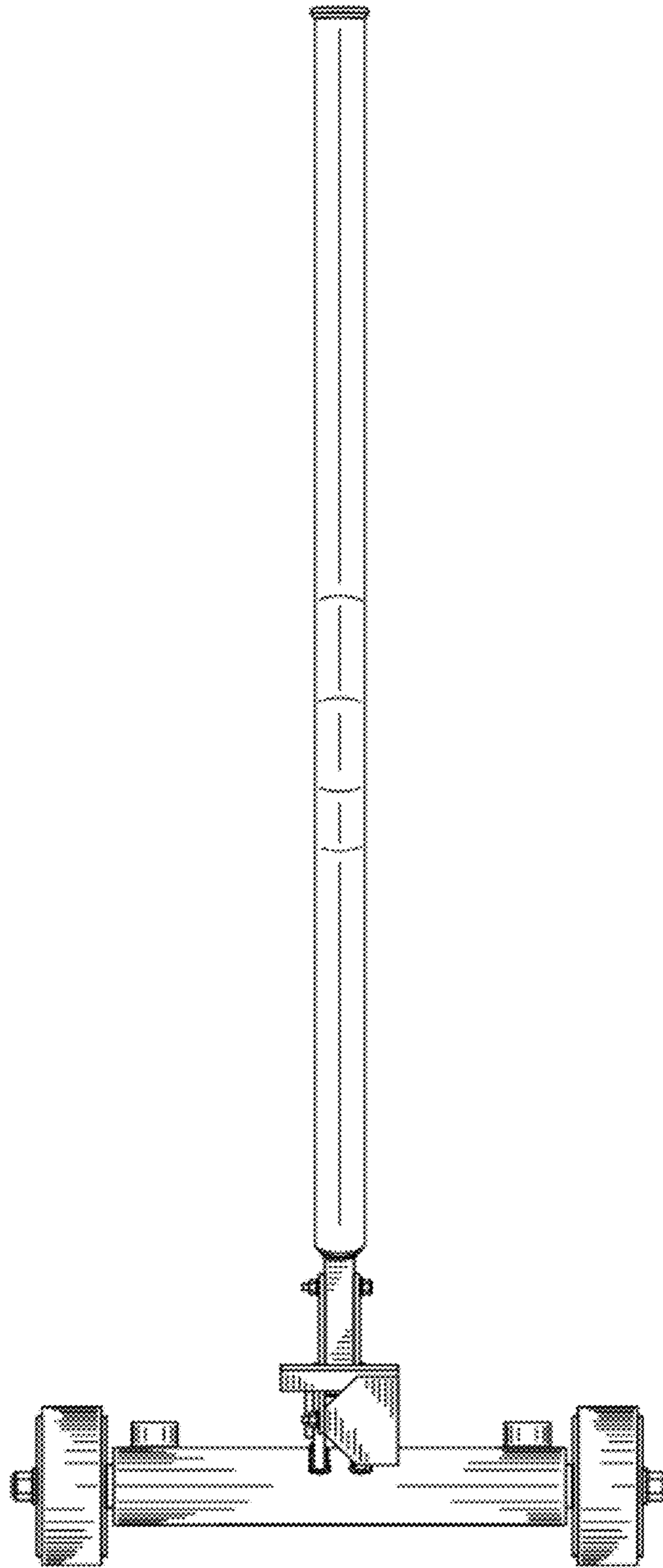


FIG. 2

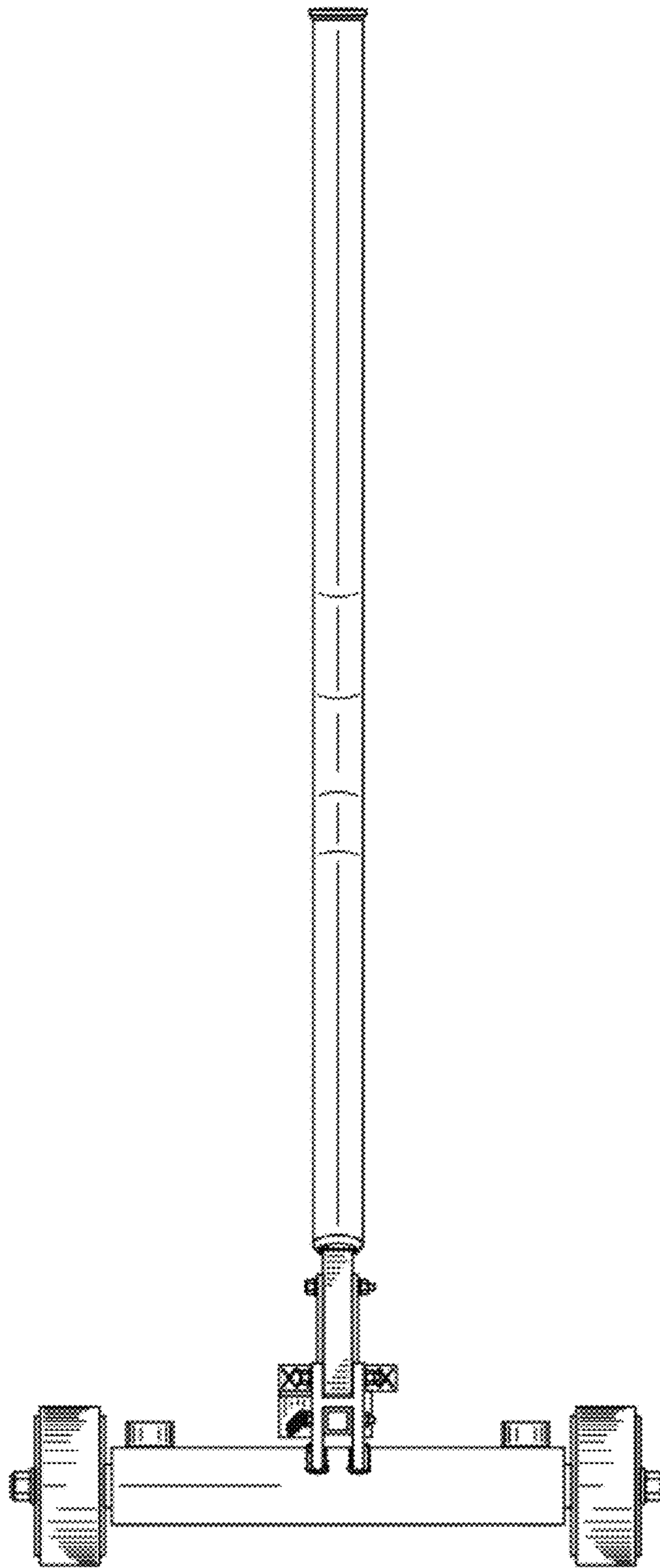


FIG. 3

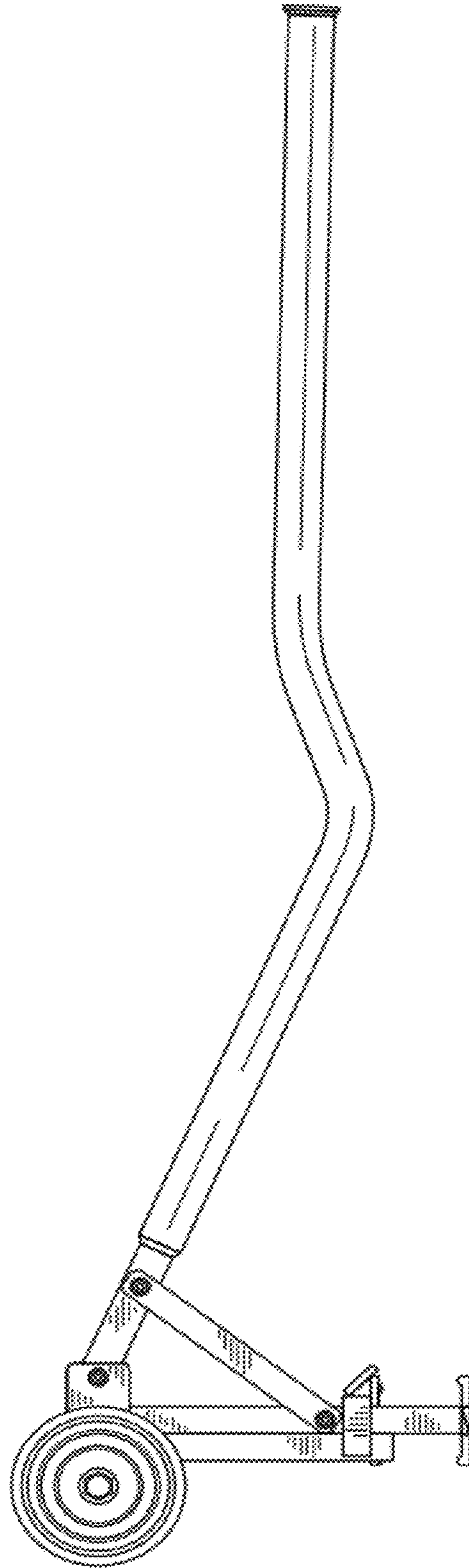


FIG. 4

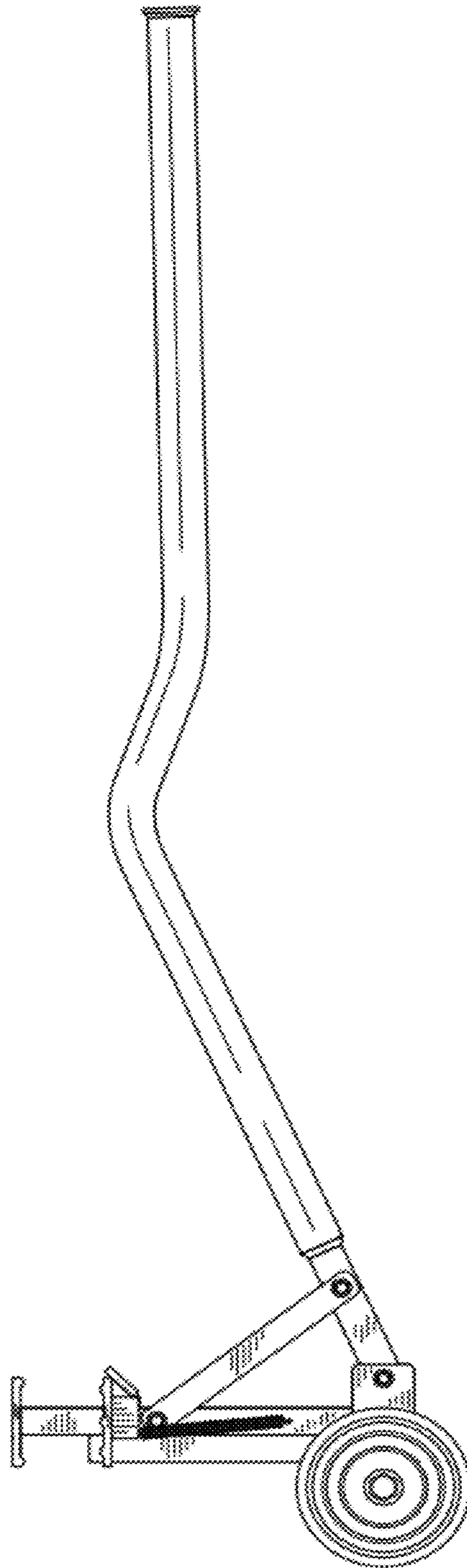


FIG. 5

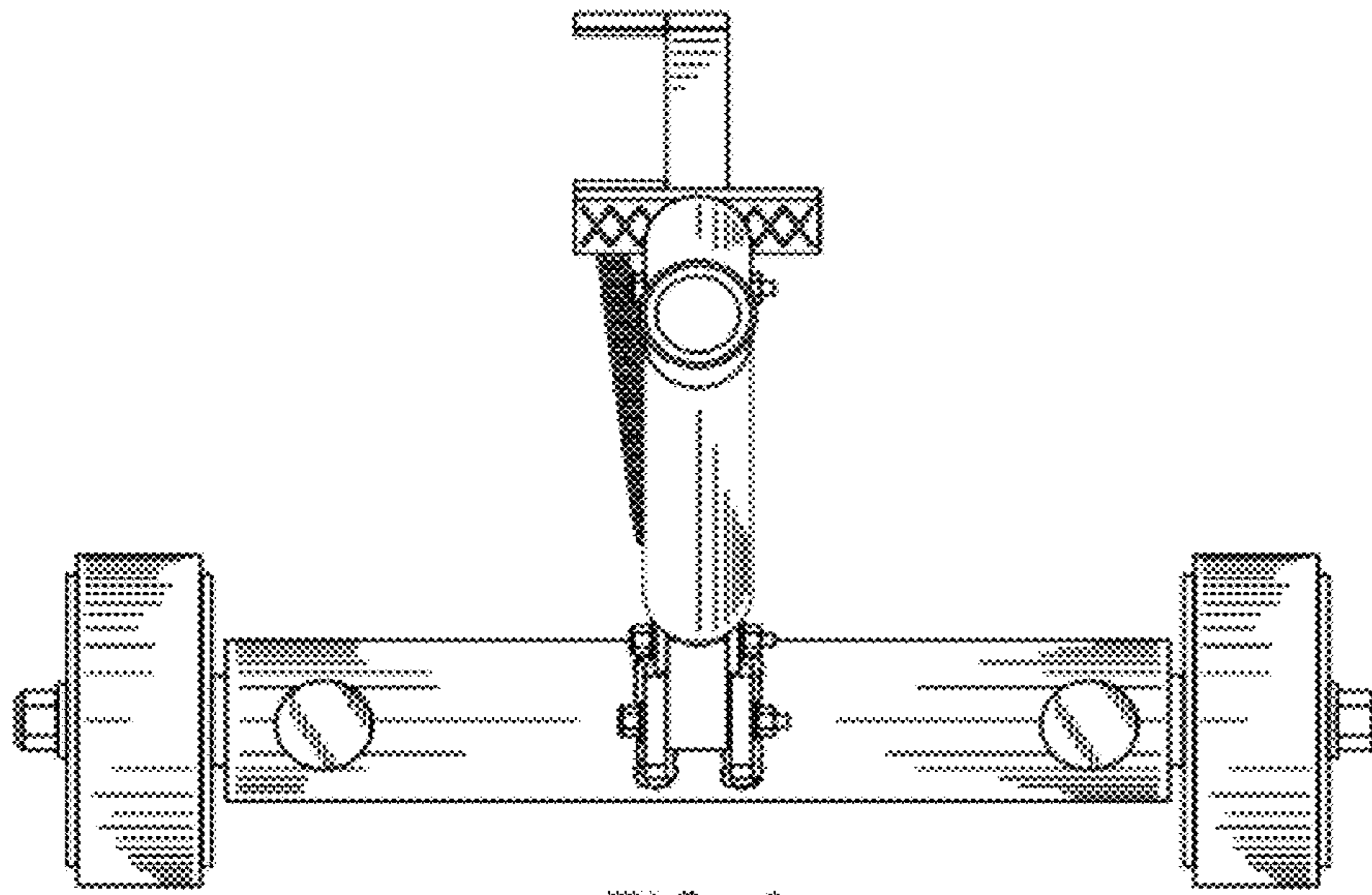


FIG. 6

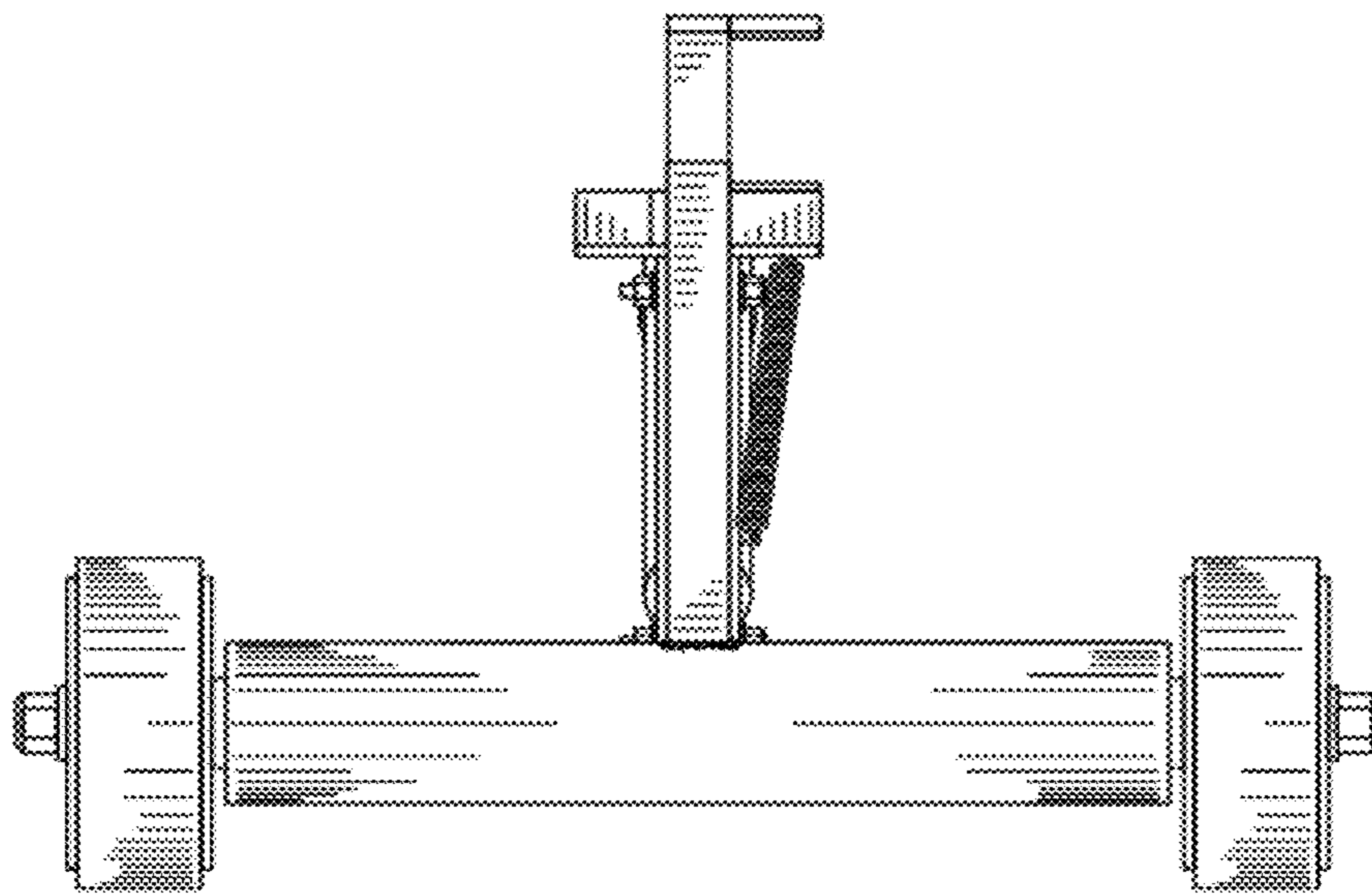


FIG. 7