



US00D665634S

(12) **United States Design Patent**
Prokop

(10) **Patent No.:** **US D665,634 S**

(45) **Date of Patent:** **** Aug. 21, 2012**

(54) **ROLLING PIN**

(75) Inventor: **David Michael Prokop**, Sammamish,
WA (US)

(73) Assignee: **David Michael Prokop**, Sammamish,
WA (US)

(**) Term: **14 Years**

(21) Appl. No.: **29/406,859**

(22) Filed: **Nov. 19, 2011**

(51) **LOC (9) Cl.** **07-04**

(52) **U.S. Cl.** **D7/697**

(58) **Field of Classification Search** D7/697;

492/10, 13-16, 19, 56; 7/111; 15/230.11;

452/142; 425/458, 363, 374, 398, 303, 304

See application file for complete search history.

(56) **References Cited**

U.S. PATENT DOCUMENTS

781,812	A *	2/1905	Deiter	7/111
1,405,920	A *	2/1922	Kerr et al.	492/14
D141,954	S *	8/1945	Cotton	D19/98
3,831,238	A *	8/1974	Adams	492/14

3,994,652	A *	11/1976	Kuzyk	425/298
4,070,742	A *	1/1978	Dorfman	492/10
D285,640	S *	9/1986	Schmidt	D7/697
4,815,859	A *	3/1989	Weinkle	492/14
D365,971	S *	1/1996	Brockmann	D7/682
D443,187	S *	6/2001	Wright	D7/697
7,686,752	B2 *	3/2010	Dua et al.	492/14
2007/0191200	A1 *	8/2007	Orlady	492/49

* cited by examiner

Primary Examiner — Terry Wallace

(57) **CLAIM**

The ornamental design for a “rolling pin”, as shown and described.

DESCRIPTION

FIG. 1 is a perspective view of rolling pin showing my new design;

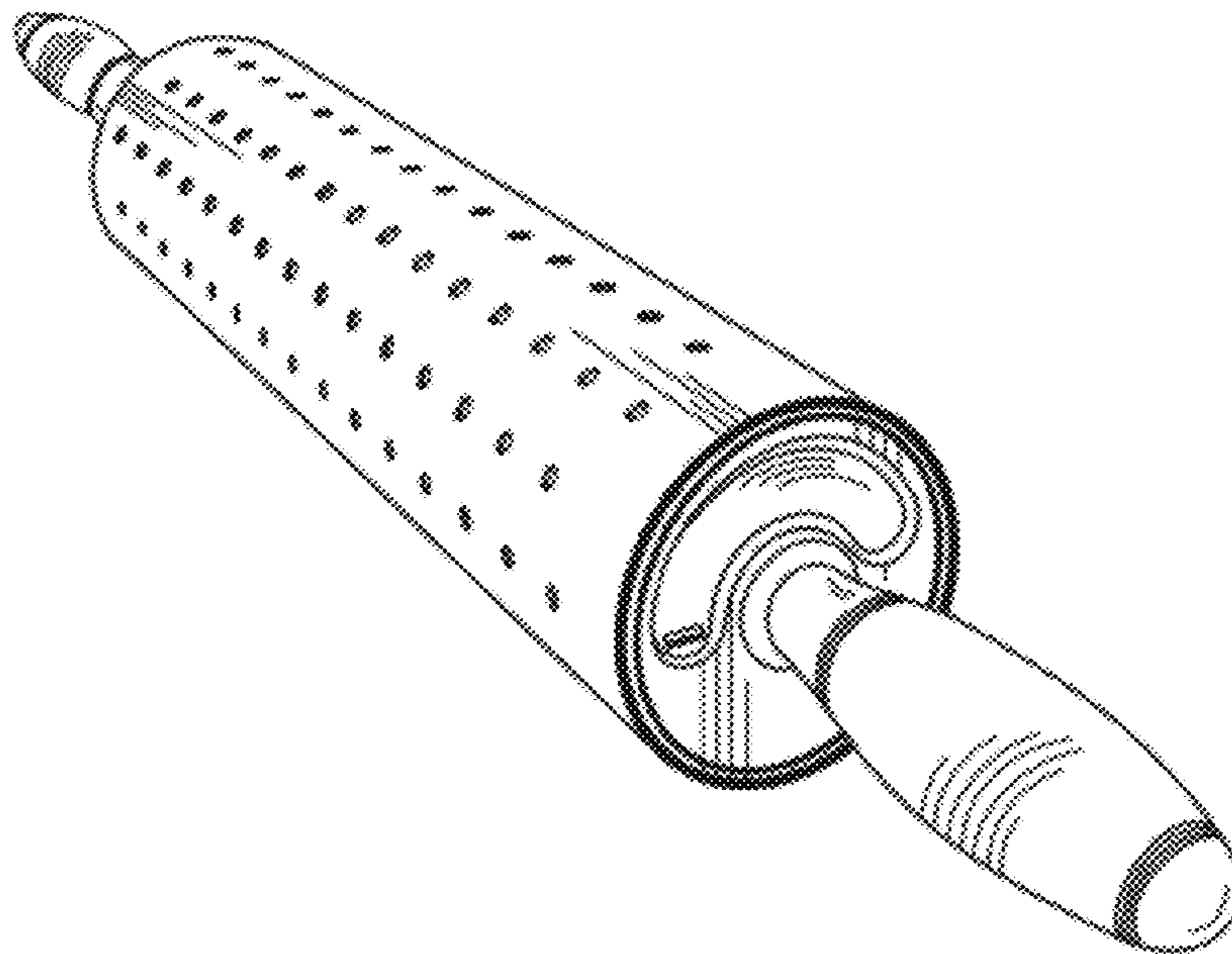
FIG. 2 is a front elevation view thereof; the opposite side being a mirror image thereof;

FIG. 3 is a top view, the opposite side being a mirror image thereof;

FIG. 4 is a left side view thereof; and,

FIG. 5 is a right side view thereof.

1 Claim, 1 Drawing Sheet



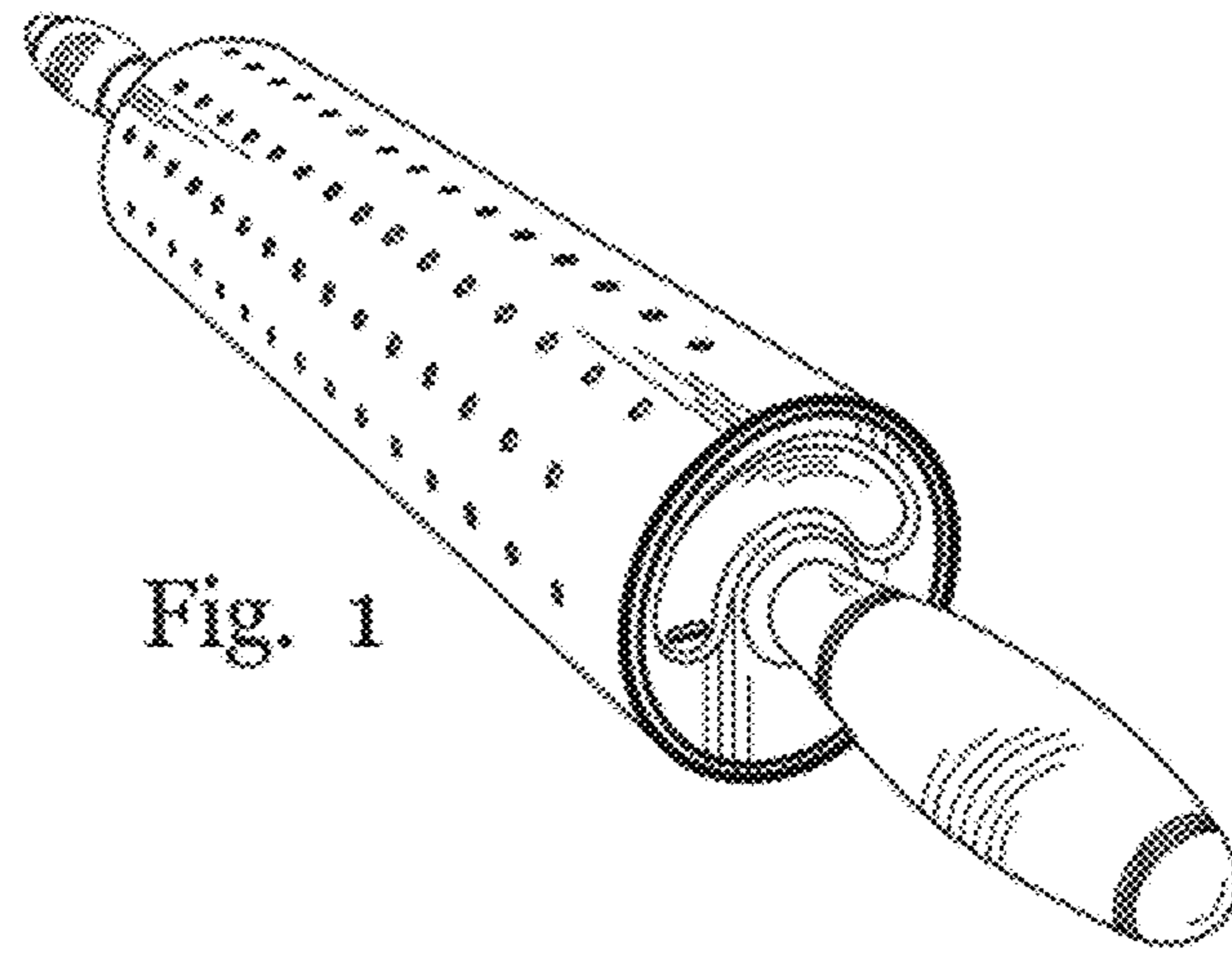


Fig. 1

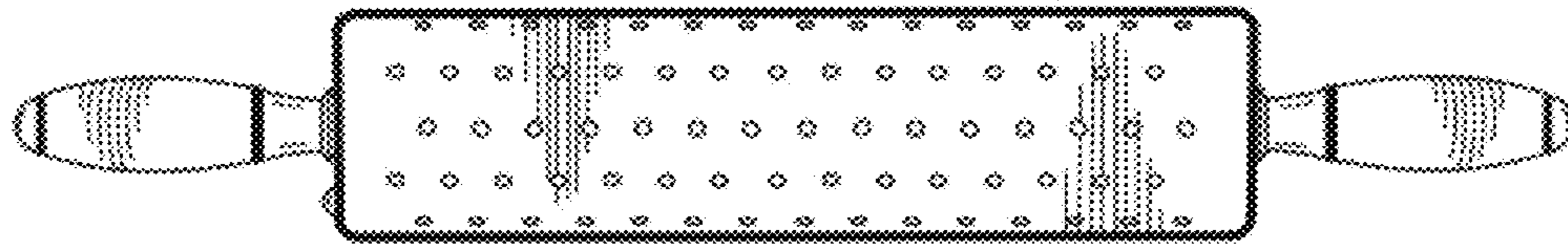


Fig. 2

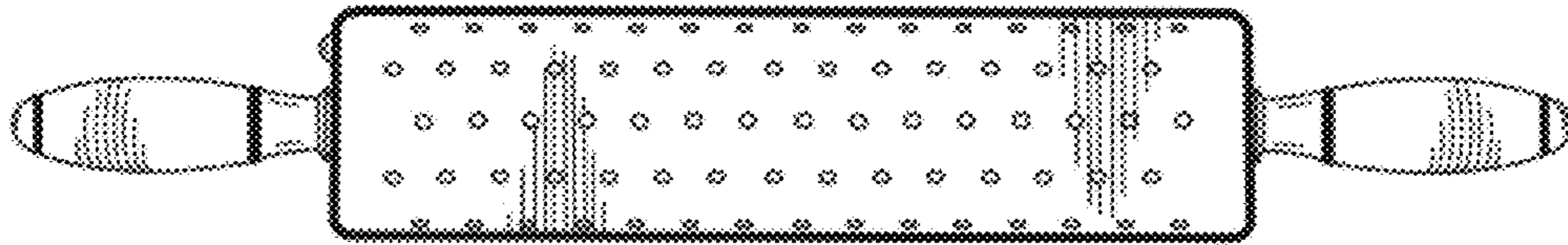


Fig. 3

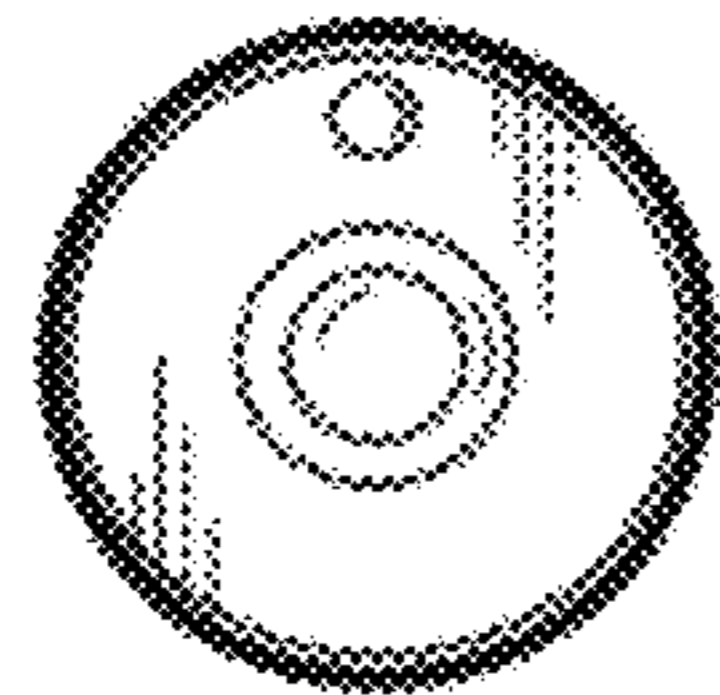


Fig. 4

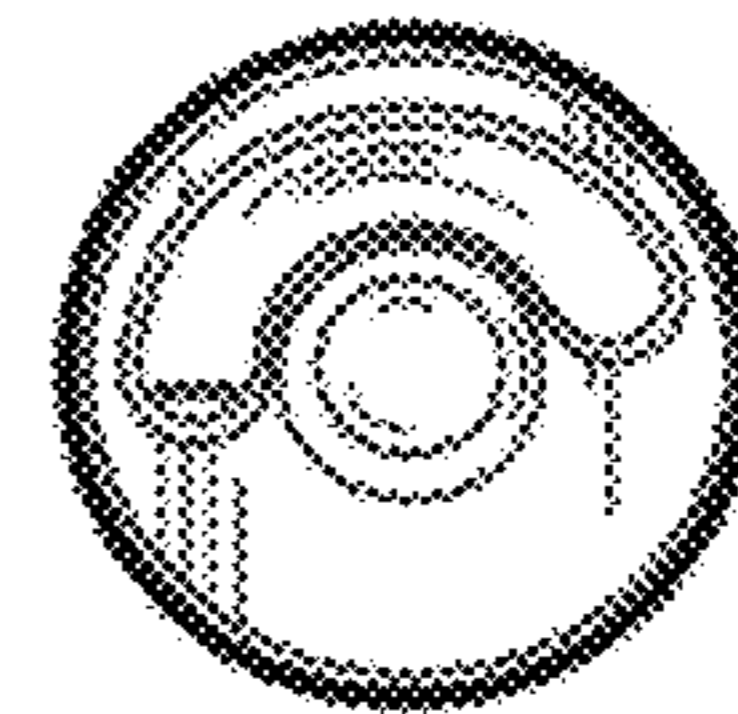


Fig. 5