

US00D665632S

(12) **United States Design Patent**
Kim et al.

(10) **Patent No.:** **US D665,632 S**

(45) **Date of Patent:** **** Aug. 21, 2012**

(54) **JUICER**

(75) Inventors: **Jong Boo Kim**, Daegu (KR); **In Young Kim**, Daegu (KR)

(73) Assignee: **NUC Electronics Co., Ltd.**, Daegu (KR)

(**) Term: **14 Years**

(21) Appl. No.: **29/406,231**

(22) Filed: **Nov. 10, 2011**

(30) **Foreign Application Priority Data**

Jul. 8, 2011 (KR) 30-2011-0028570

(51) **LOC (9) Cl.** **31-00**

(52) **U.S. Cl.** **D7/665**

(58) **Field of Classification Search** D7/665,
D7/666, 372; 366/64-67, 98, 142, 197-211,
366/241-292, 341-347; 99/501-508, 495-497;
100/213, 208

See application file for complete search history.

(56) **References Cited**

U.S. PATENT DOCUMENTS

6,609,455 B2 * 8/2003 Fouquet 99/511
D537,303 S * 2/2007 Stuckey D7/665
D594,717 S * 6/2009 Wu Chang D7/665
2003/0052206 A1 * 3/2003 Fouquet 241/92
* cited by examiner

Primary Examiner — Terry Wallace

(74) *Attorney, Agent, or Firm* — Seed IP Law Group PLLC

(57) **CLAIM**

The ornamental design for a juicer, as shown and described.

DESCRIPTION

FIG. 1 is a front elevational view of a juicer showing our new design.

FIG. 2 is a rear elevational view thereof.

FIG. 3 is a left side elevational view thereof.

FIG. 4 is a right side elevational view thereof.

FIG. 5 is a top plan view thereof.

FIG. 6 is a bottom plan view thereof; and,

FIG. 7 is an isometric projection view thereof.

1 Claim, 6 Drawing Sheets

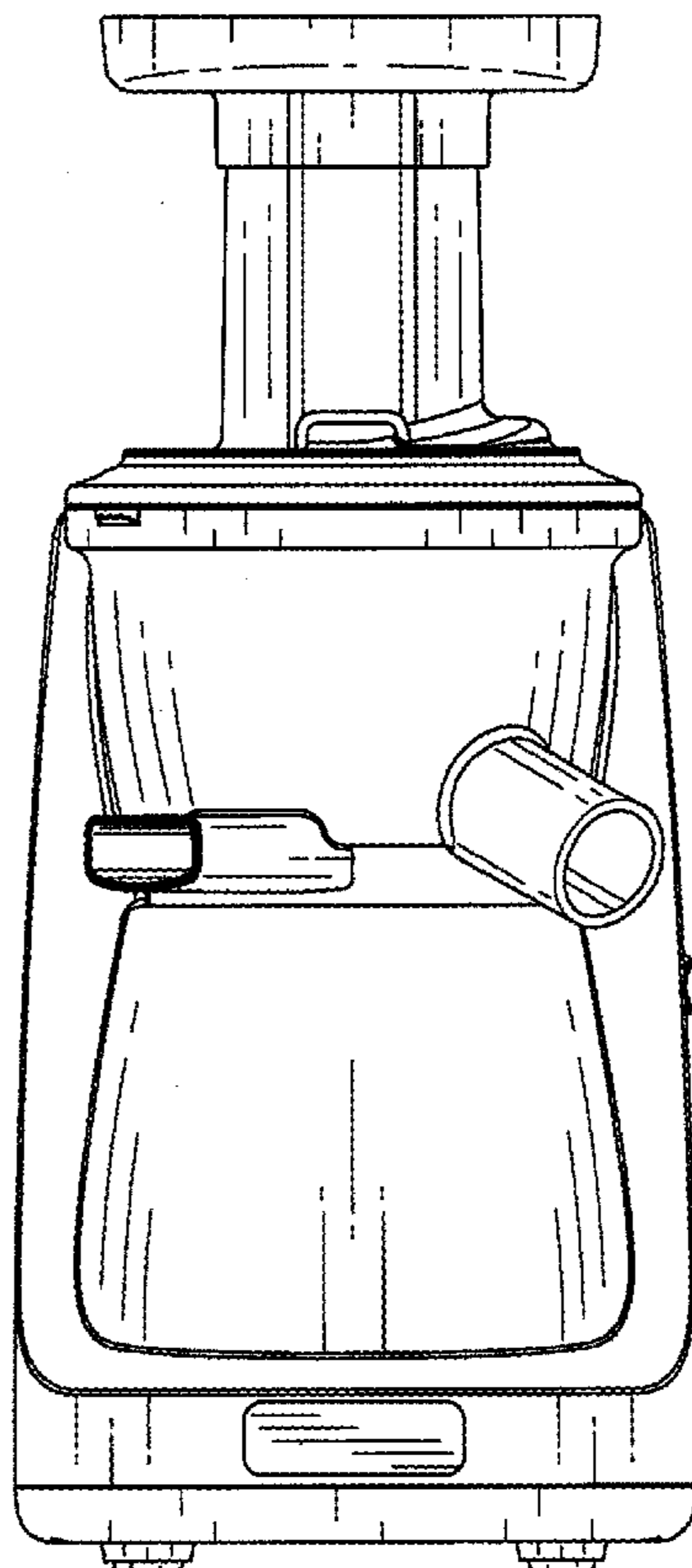


FIG 1

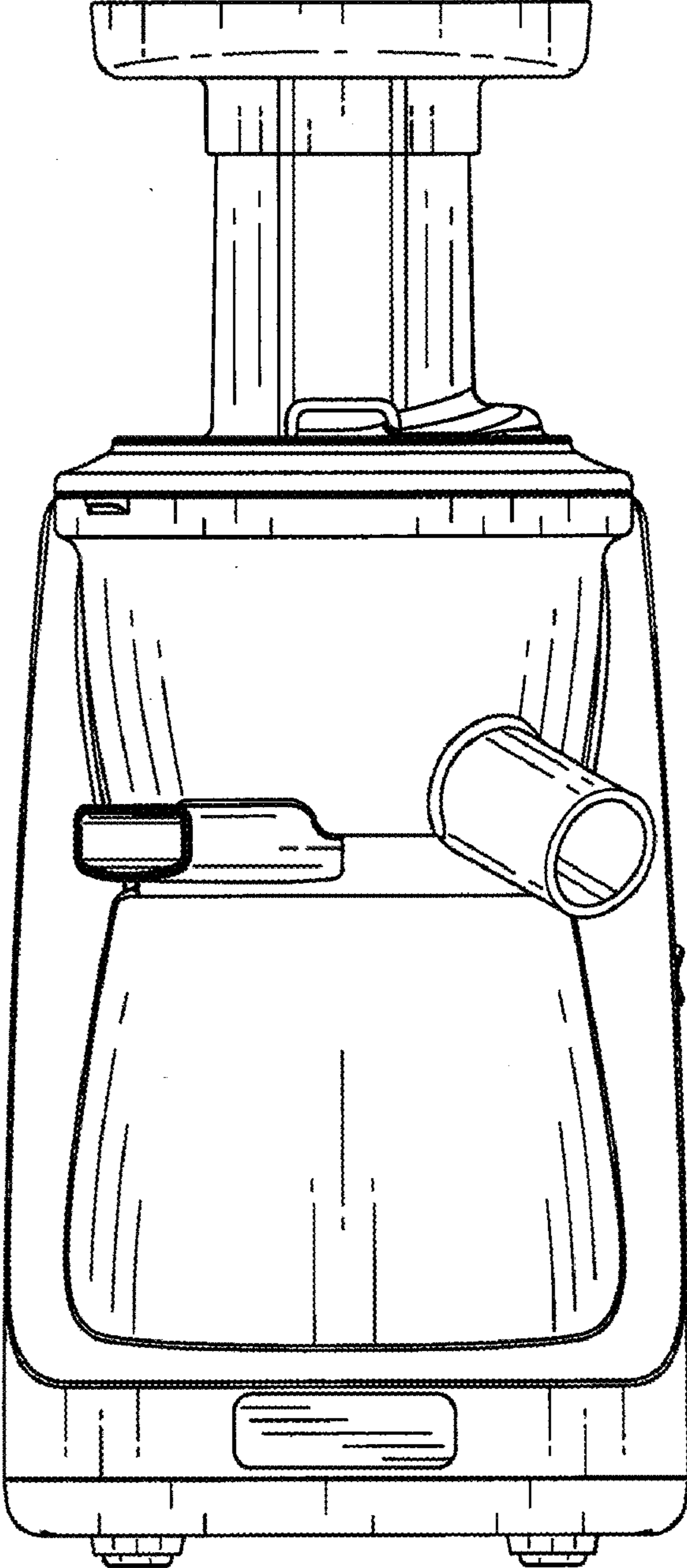


FIG 2

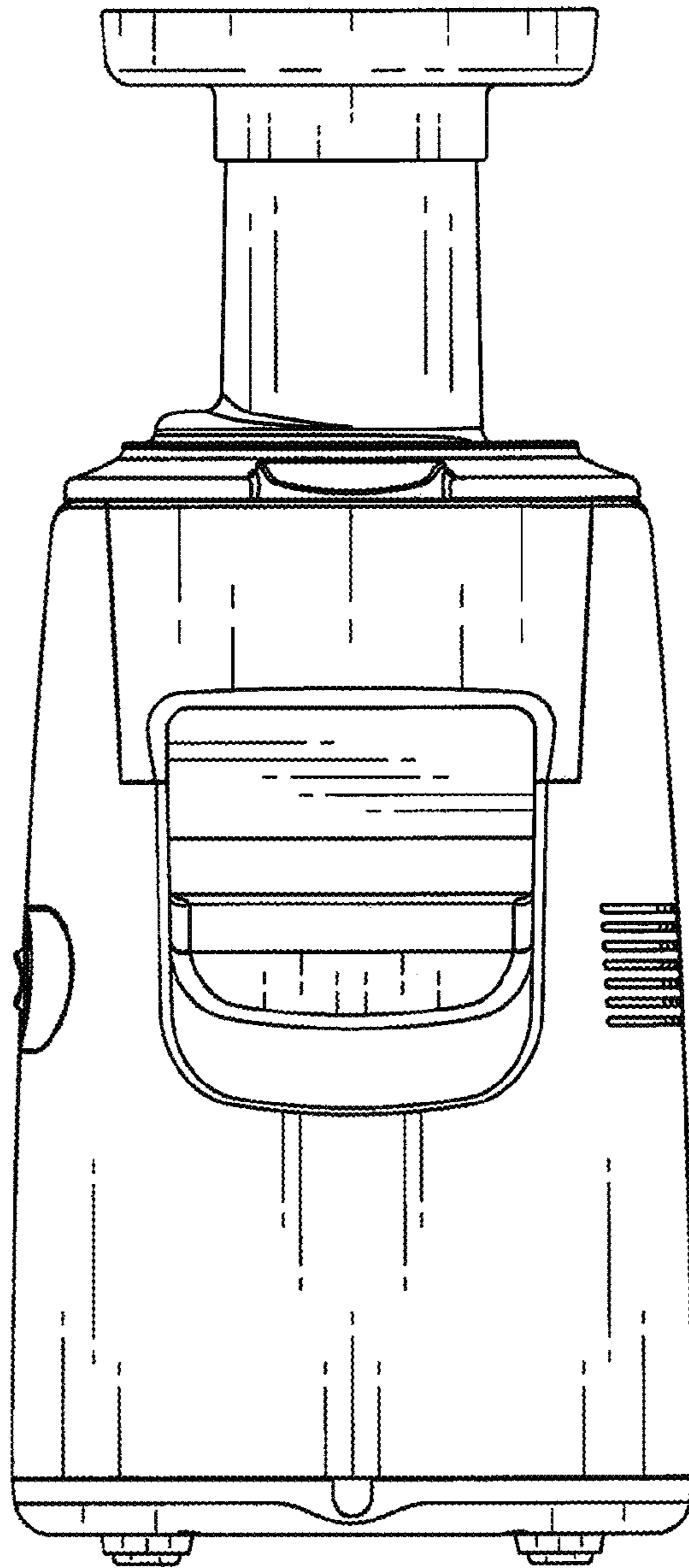


FIG 3

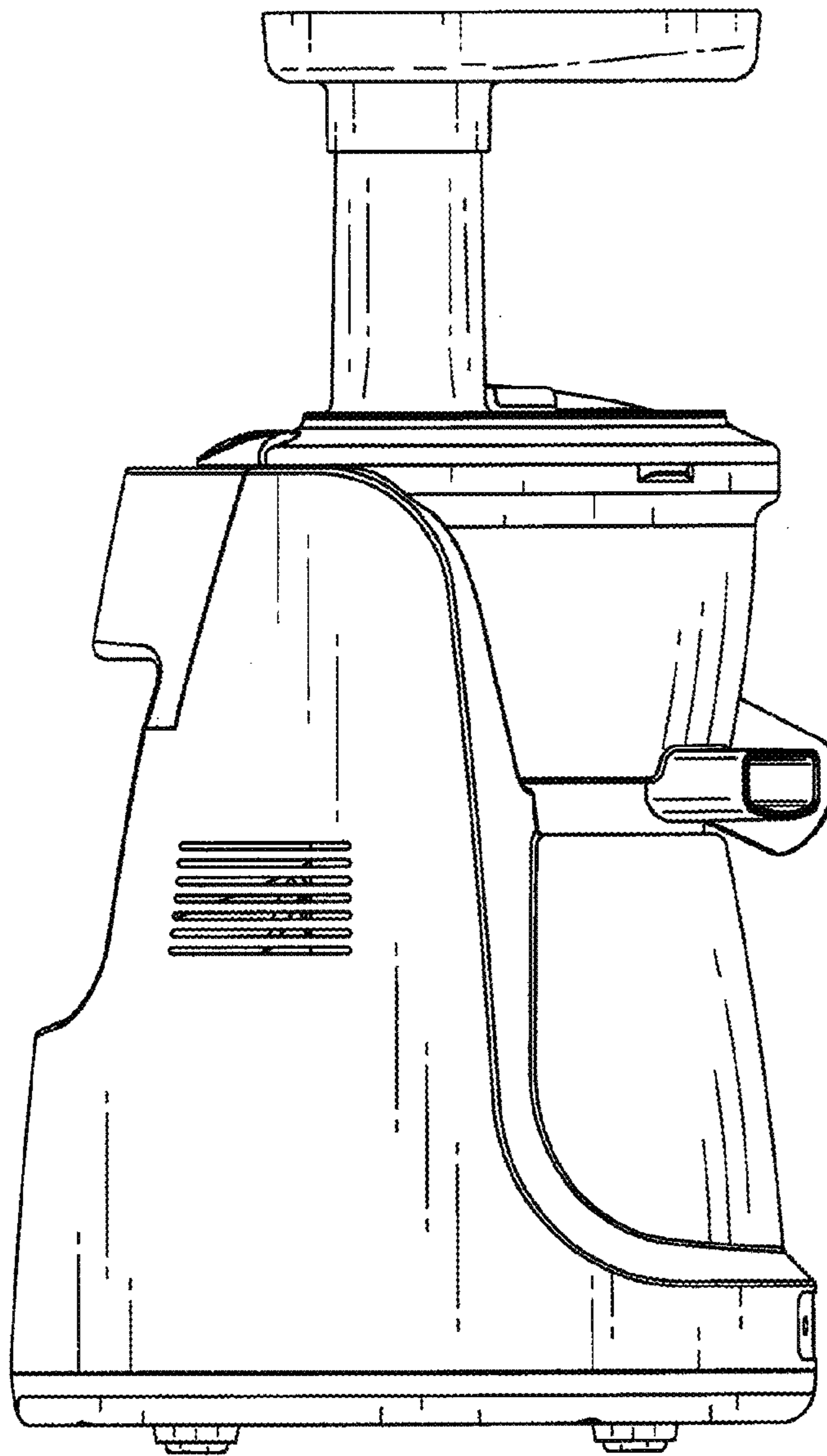


FIG 4

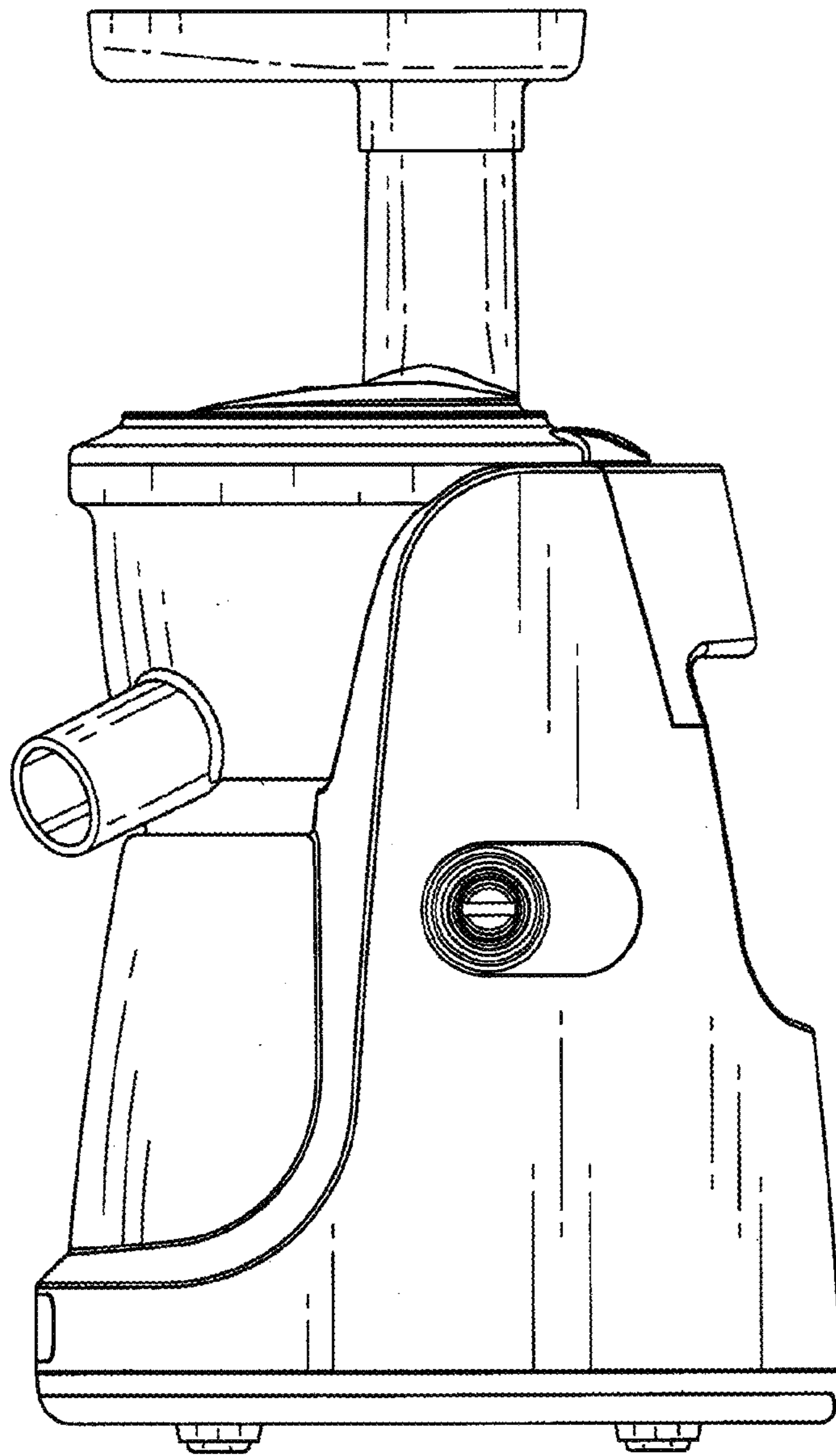


FIG 5

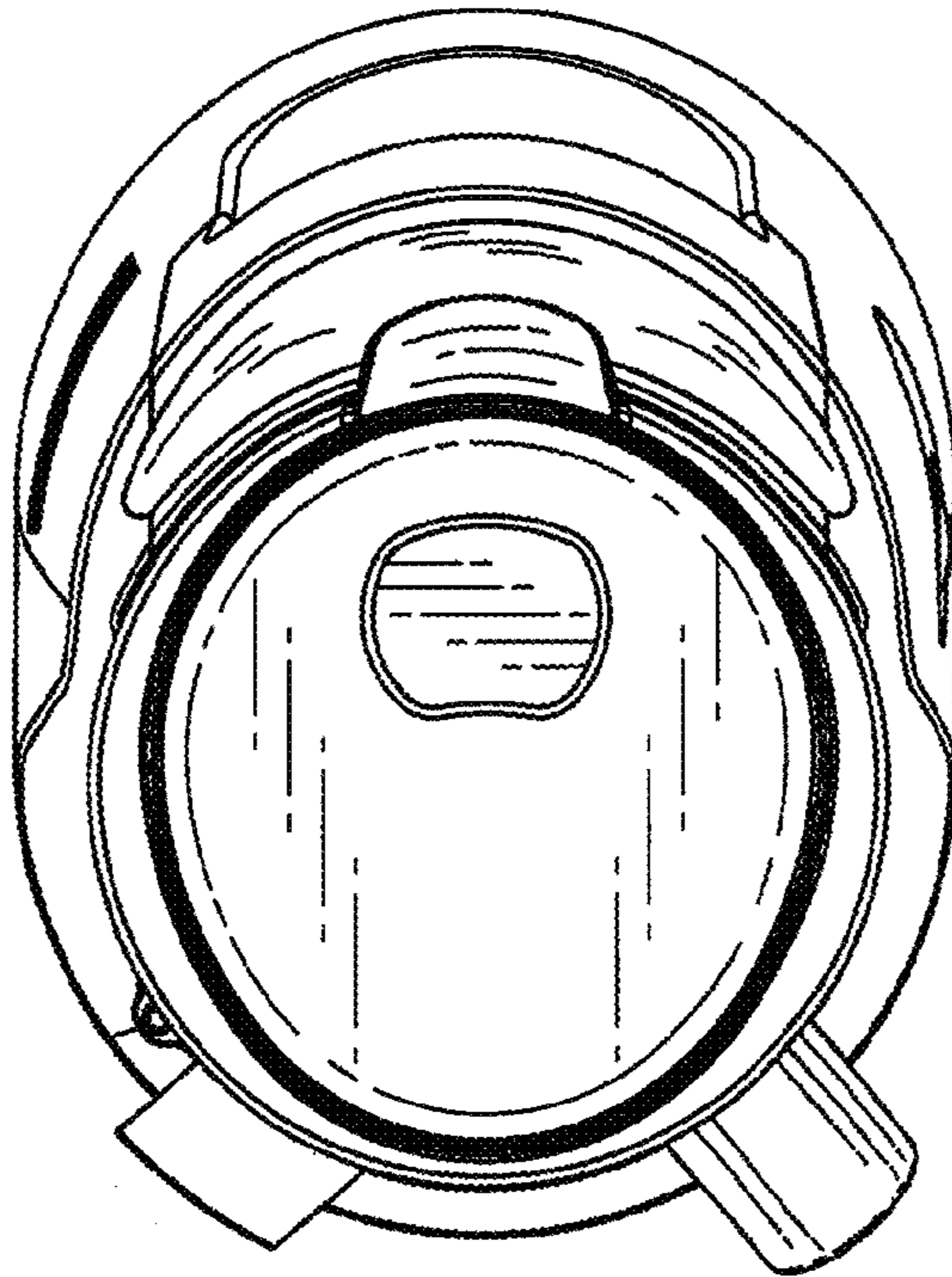


FIG 6

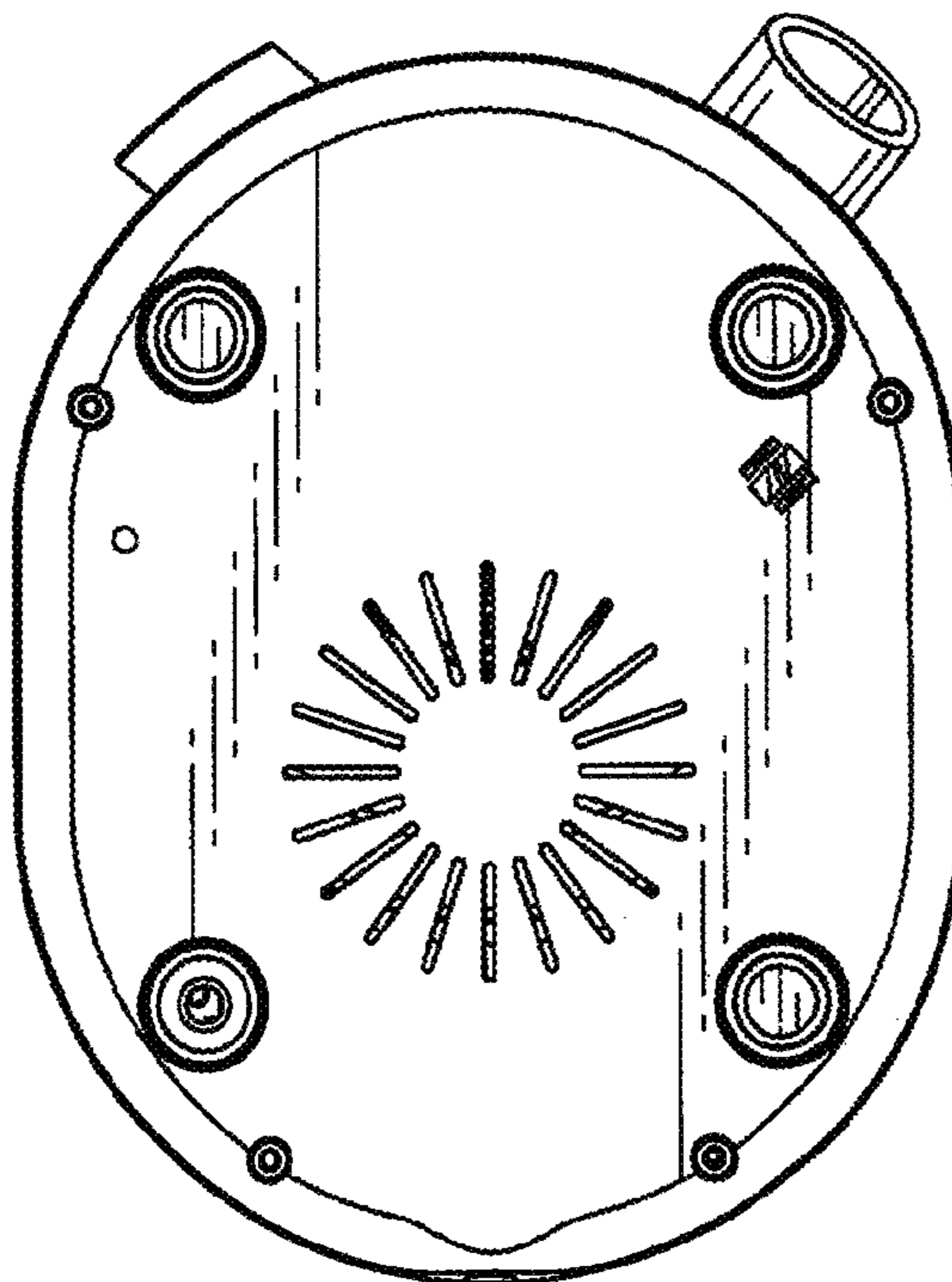


FIG 7

