

US00D665623S

(12) **United States Design Patent**  
**Ben-David et al.**

(10) **Patent No.:** **US D665,623 S**  
(45) **Date of Patent:** **\*\* Aug. 21, 2012**

(54) **WATER DISPENSER**  
(75) Inventors: **Jonathan Ben-David**, Basing View  
(GB); **Heung Soon Kim**, Basin View  
(GB)  
(73) Assignee: **WLI Trading Limited**, Dublin (IE)

D407,260 S 3/1999 Martindale  
D429,109 S 8/2000 Ohu  
D441,253 S 5/2001 Chen  
D449,758 S 10/2001 Norvell et al.  
D450,533 S 11/2001 Bellon et al.  
D455,597 S 4/2002 Lefroy-Brooks  
D483,609 S 12/2003 Guadalupi

(Continued)

(\*\*) Term: **14 Years**  
(21) Appl. No.: **29/417,358**  
(22) Filed: **Apr. 2, 2012**

**FOREIGN PATENT DOCUMENTS**

JP D1306080 7/2007  
(Continued)

**OTHER PUBLICATIONS**

Search Report for Design Patent Application No. 099304510, dated Apr. 20, 2011, 1 page translation.

(Continued)

**Related U.S. Application Data**

(62) Division of application No. 29/369,360, filed on Sep. 7, 2010, now Pat. No. Des. 660,079.

**Foreign Application Priority Data**

(30) Mar. 8, 2010 (EM) ..... 01200042-0001  
Mar. 8, 2010 (EM) ..... 01200042-0002  
Mar. 8, 2010 (EM) ..... 01200042-0003  
Mar. 8, 2010 (EM) ..... 01200042-0004

*Primary Examiner* — Marianne Pandozzi

(74) *Attorney, Agent, or Firm* — Christie, Parker & Hale, LLP

(51) **LOC (9) Cl.** ..... **07-99**  
(52) **U.S. Cl.** ..... **D7/398; D7/397; D7/306**  
(58) **Field of Classification Search** ..... D7/397,  
D7/398, 313, 306, 300.1, 399; 99/323.2;  
222/146.6, 113; D23/238, 255  
See application file for complete search history.

(57) **CLAIM**

The ornamental design for water dispenser, as shown and described.

**DESCRIPTION**

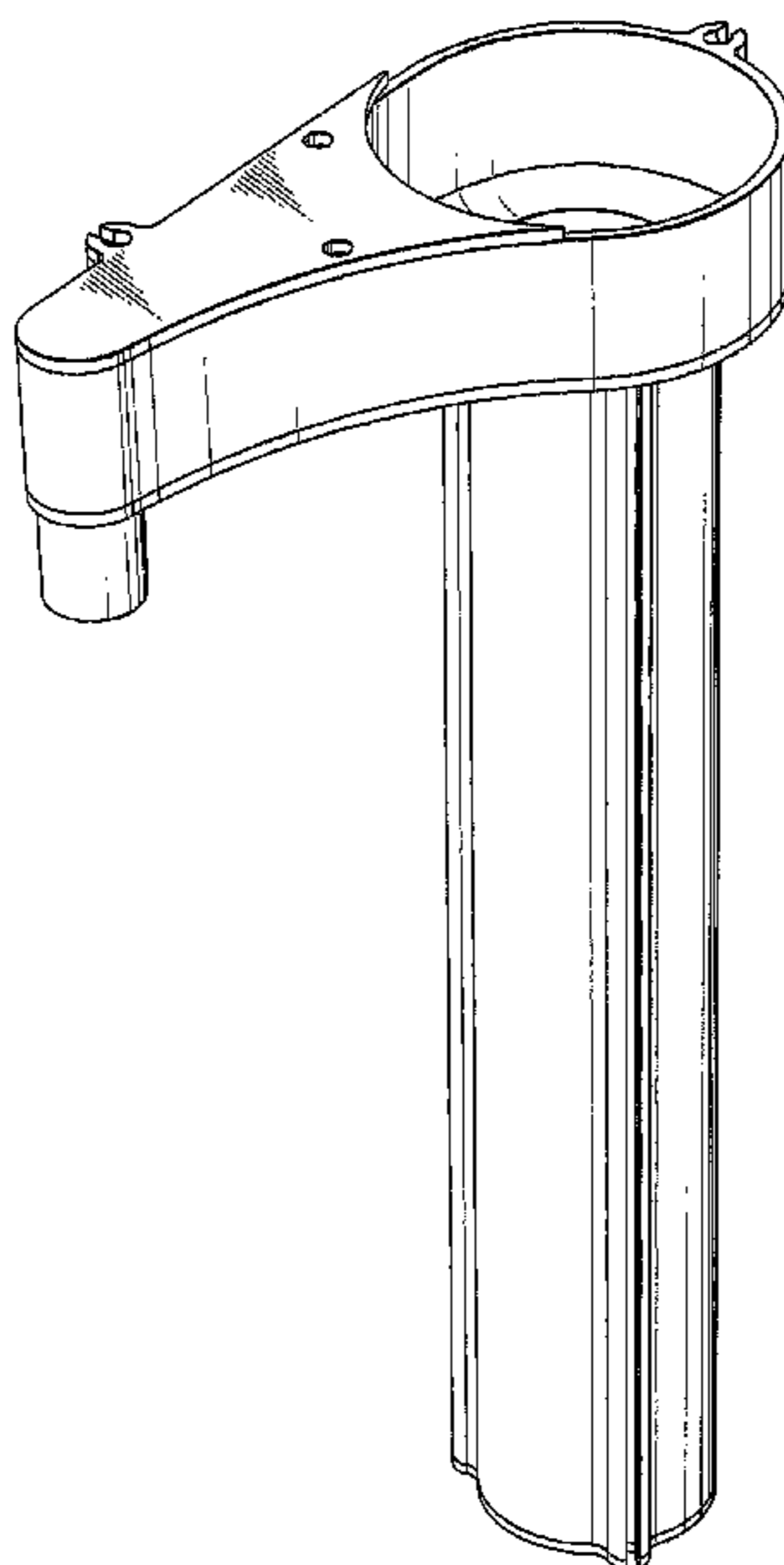
FIG. 1 is a front perspective view of the water dispenser;  
FIG. 2 is a left side view of the water dispense;  
FIG. 3 is a front view of the water dispenser;  
FIG. 4 is a right side view of the water dispenser;  
FIG. 5 is a back view of the water dispenser;  
FIG. 6 is a top view of the water dispenser; and,  
FIG. 7 is a bottom view of the water dispenser.

(56) **References Cited**

**U.S. PATENT DOCUMENTS**

D221,791 S 9/1971 Chi  
5,027,851 A \* 7/1991 Drees et al. .... 137/359  
D364,305 S 11/1995 Rasmussen  
D366,833 S \* 2/1996 Daansen ..... D9/447  
D401,477 S 11/1998 Martindale

**1 Claim, 4 Drawing Sheets**



# US D665,623 S

Page 2

---

## U.S. PATENT DOCUMENTS

D512,483 S \* 12/2005 Painsi ..... D23/238  
D547,116 S \* 7/2007 Ranzoni ..... D7/398  
D562,066 S 2/2008 Palmer-Baker  
D565,877 S \* 4/2008 Chen ..... D6/542  
D610,403 S 2/2010 Russell  
D612,203 S 3/2010 Bollin  
D643,512 S 8/2011 Matsuura et al.

## FOREIGN PATENT DOCUMENTS

TW D123328 6/2008

## OTHER PUBLICATIONS

Search Report for Design Patent Application No. 099304511, dated Apr. 20, 2011, 1 page translation.  
Search Report for Design Patent Application No. 099304507, dated Apr. 20, 2011, 1 page translation.  
Search Report for Design Patent Application No. 099304509, dated Apr. 20, 2011, 1 page translation.

\* cited by examiner

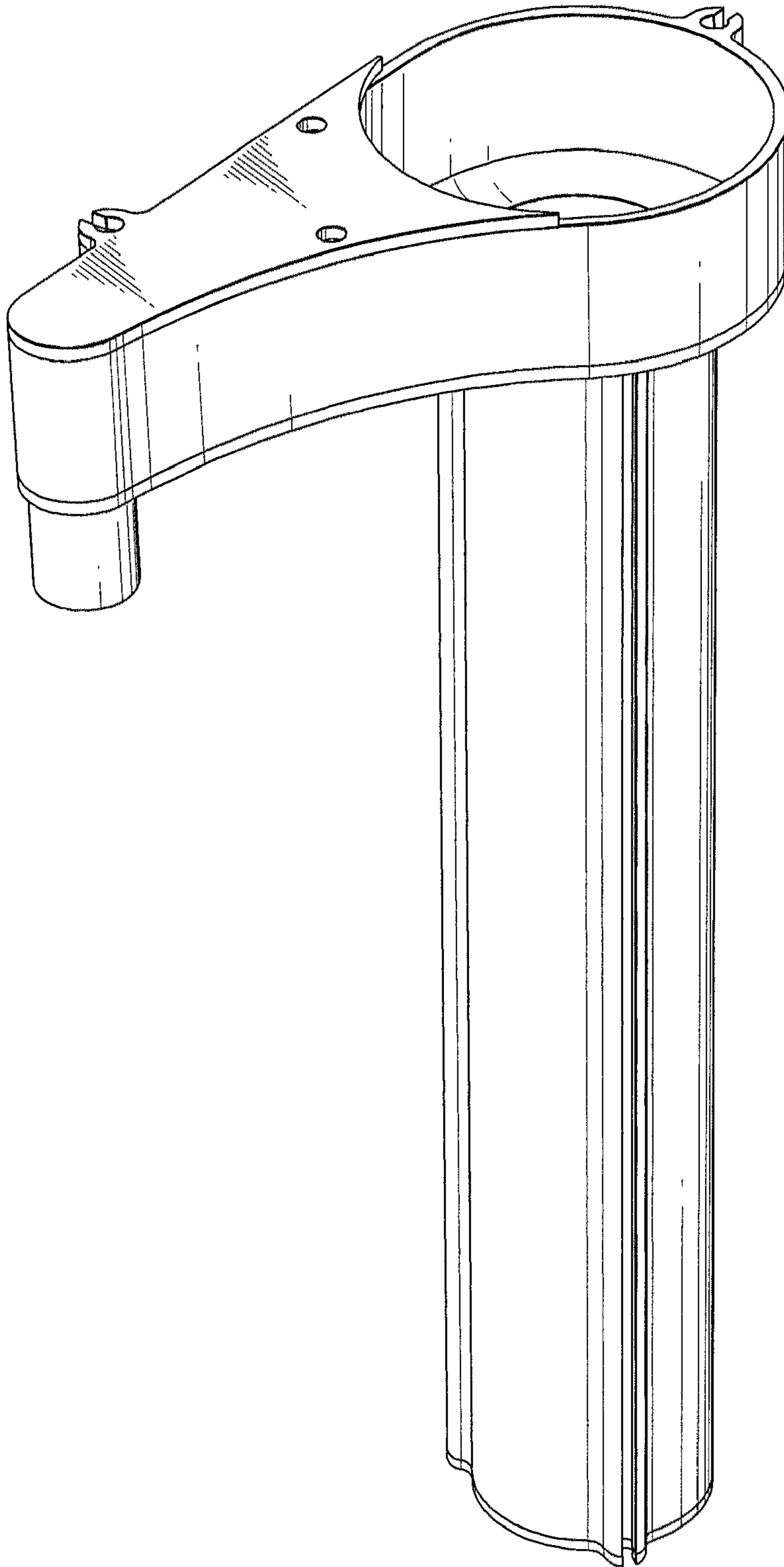


FIG. 1

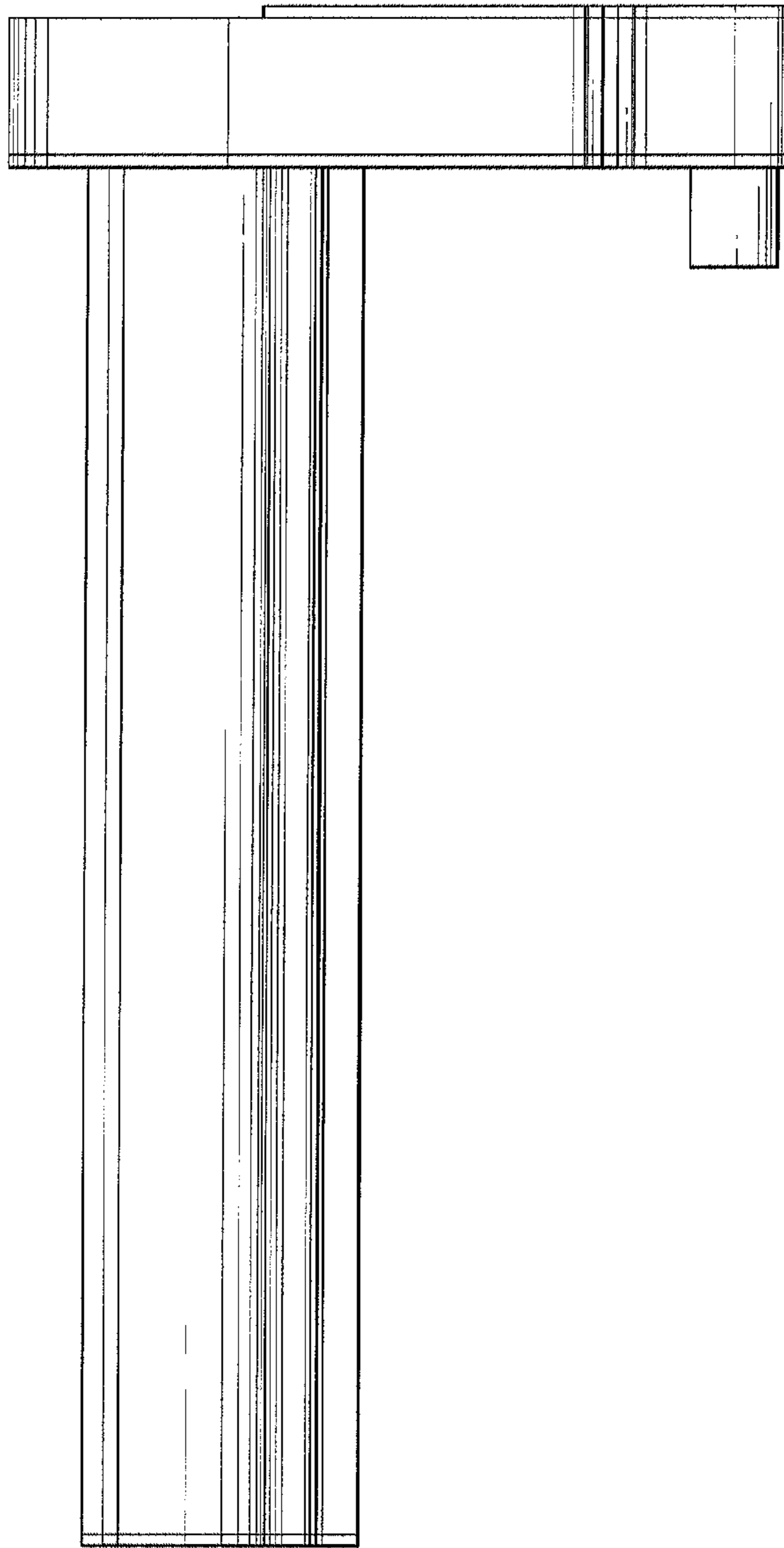


FIG. 2

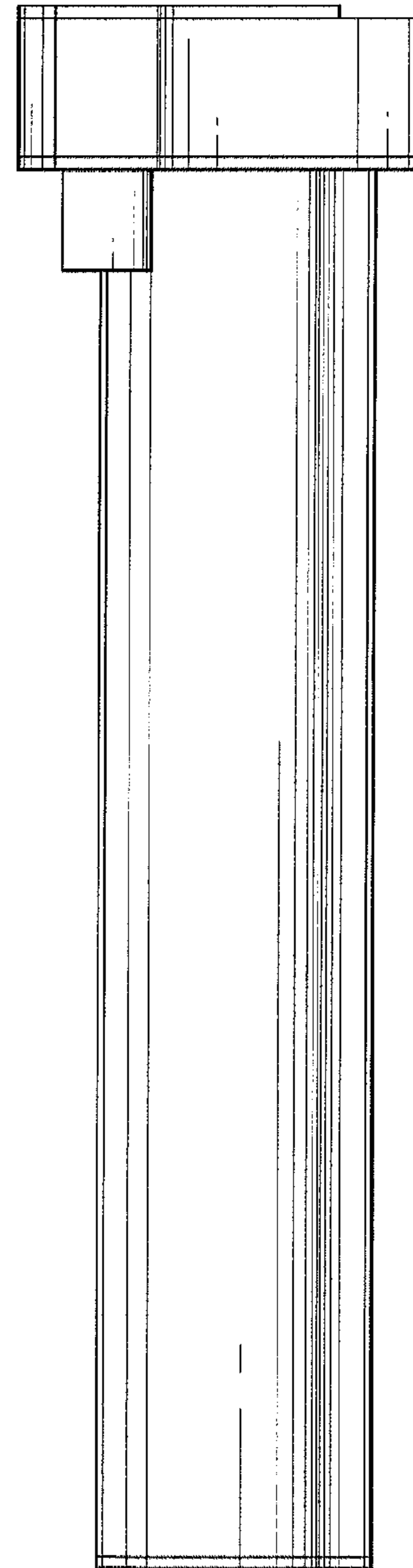


FIG. 3

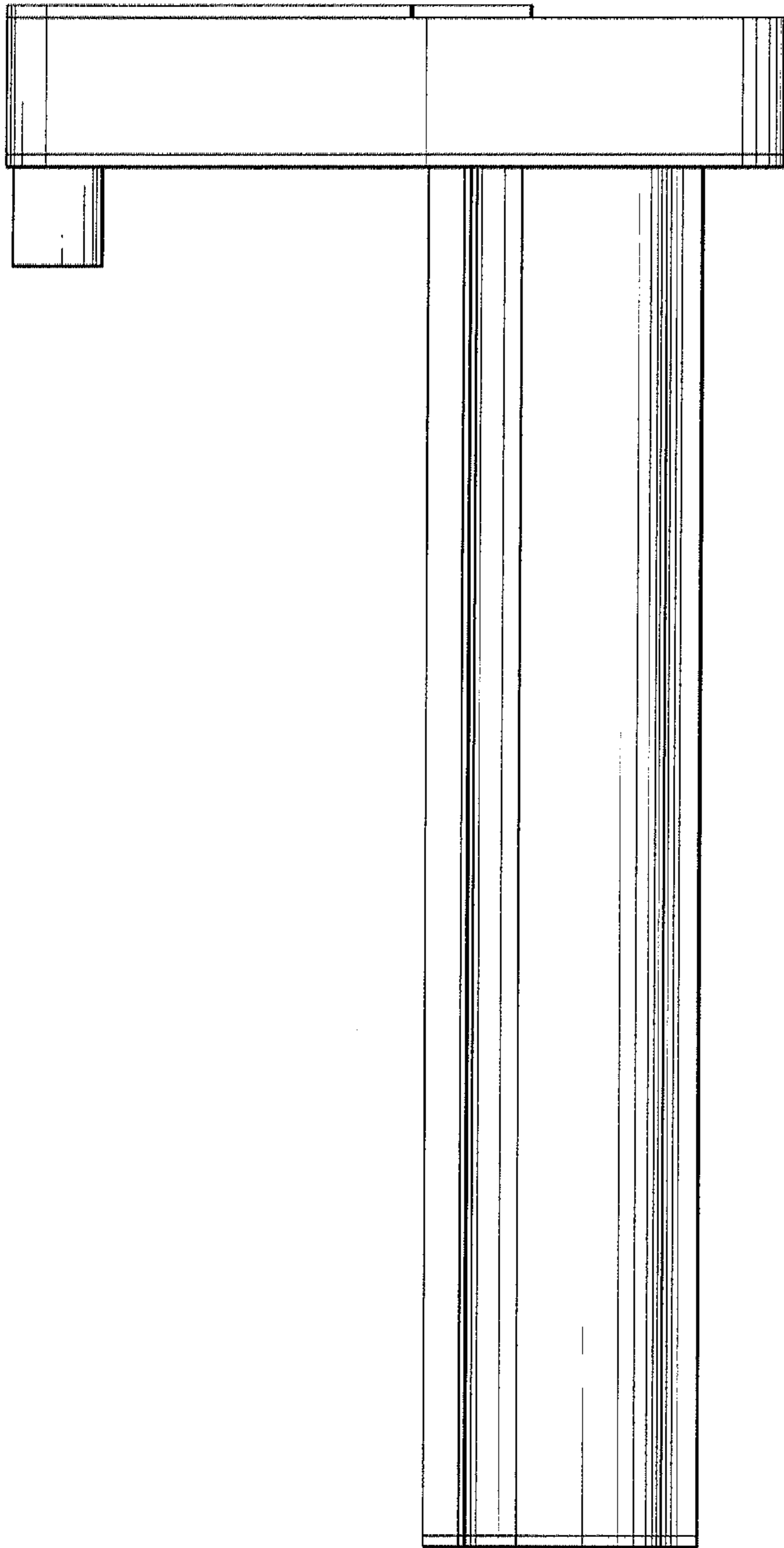


FIG. 4

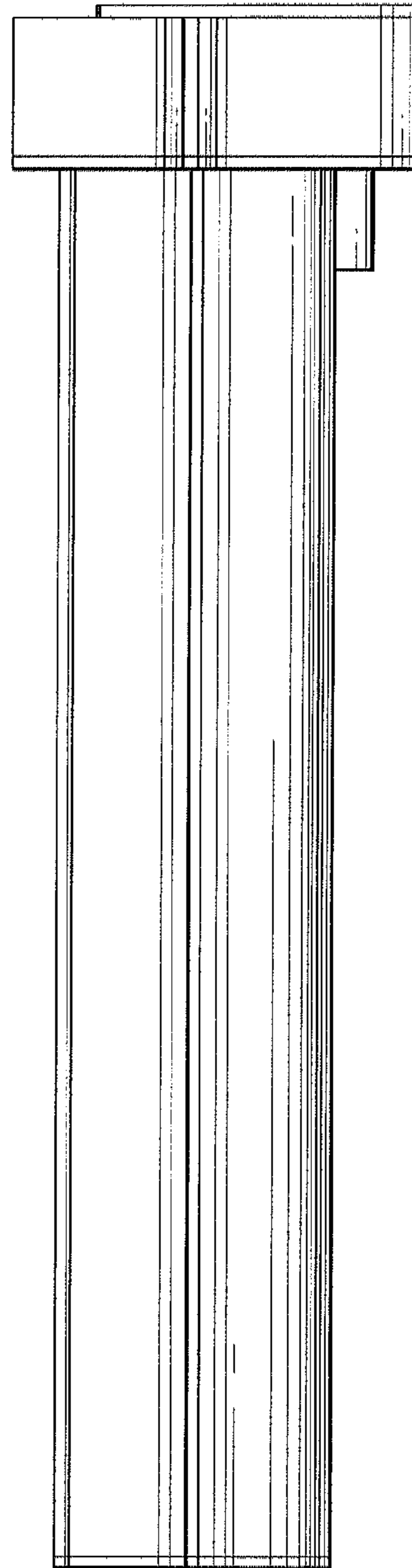


FIG. 5

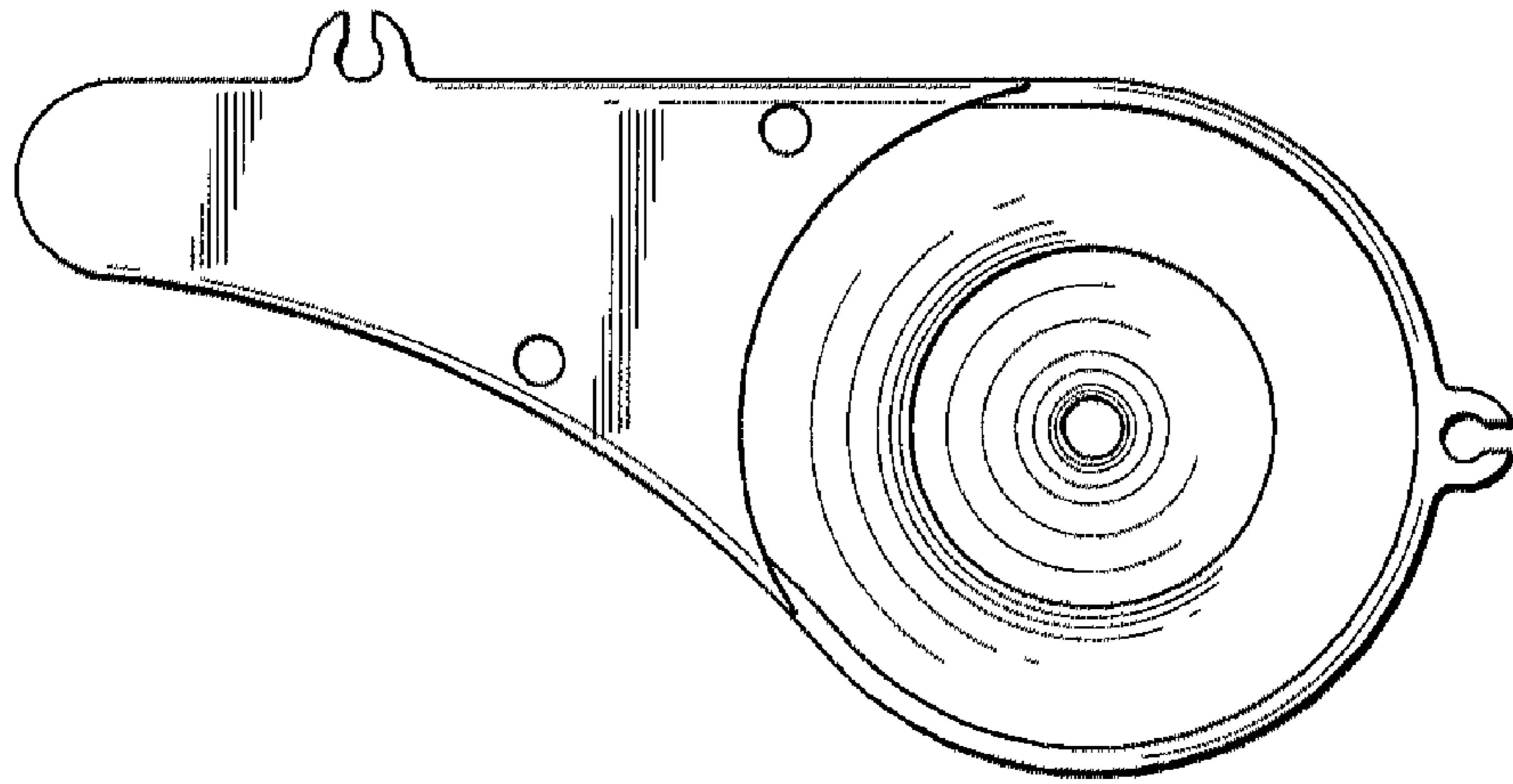


FIG. 6

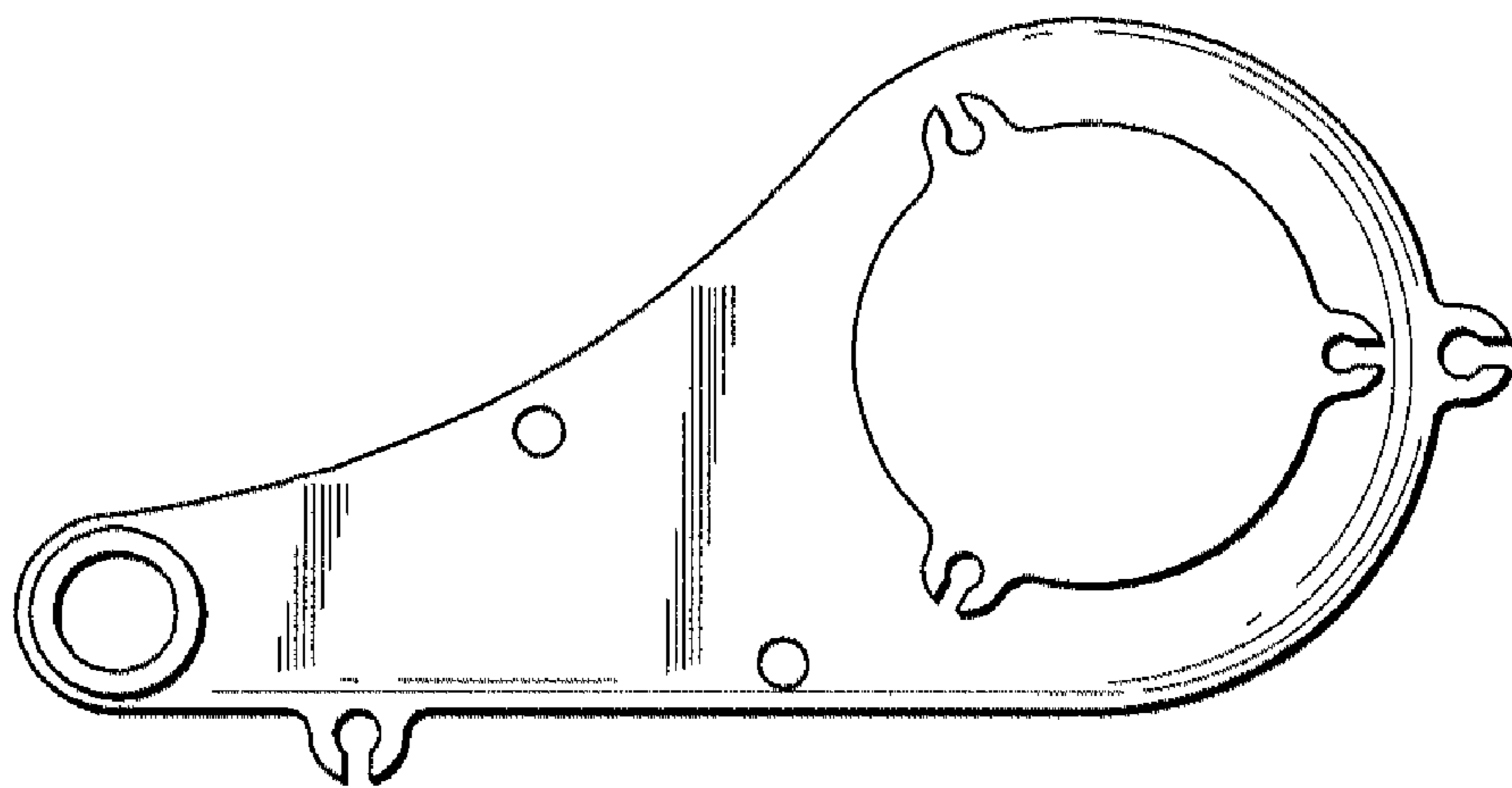


FIG. 7