

US00D665622S

(12) **United States Design Patent**
Ben-David et al.

(10) **Patent No.:** **US D665,622 S**
(45) **Date of Patent:** **** Aug. 21, 2012**

- (54) **WATER DISPENSER**
- (75) Inventors: **Jonathan Ben-David**, Basing View (GB); **Heung Soon Kim**, Basin View (GB)
- (73) Assignee: **WLI Trading Limited**, Dublin (IE)

- D407,260 S 3/1999 Martindale
- D429,109 S 8/2000 Ohu
- D441,253 S 5/2001 Chen
- D449,758 S 10/2001 Norvell et al.
- D450,533 S 11/2001 Bellon et al.
- D455,597 S 4/2002 Lefroy-Brooks
- D483,609 S 12/2003 Guadalupi

(Continued)

- (**) Term: **14 Years**
- (21) Appl. No.: **29/417,357**
- (22) Filed: **Apr. 2, 2012**

FOREIGN PATENT DOCUMENTS

- JP D1306080 7/2007
- (Continued)

OTHER PUBLICATIONS

Search Report for Design Patent Application No. 099304510, dated Apr. 20, 2011, 1 page translation.

(Continued)

Related U.S. Application Data

- (62) Division of application No. 29/369,360, filed on Sep. 7, 2010, now Pat. No. Des. 660,079.

Foreign Application Priority Data

- (30) Mar. 8, 2010 (EM) 01200042-0001
- Mar. 8, 2010 (EM) 01200042-0002
- Mar. 8, 2010 (EM) 01200042-0003
- Mar. 8, 2010 (EM) 01200042-0004

Primary Examiner — Marianne Pandozzi

(74) *Attorney, Agent, or Firm* — Christie, Parker & Hale, LLP

- (51) **LOC (9) Cl.** **07-99**
 - (52) **U.S. Cl.** **D7/398; D7/397; D7/306**
 - (58) **Field of Classification Search** D7/397, D7/398, 313, 306, 300.1, 399; 99/323.2; 222/146.6, 113; D23/238, 255
- See application file for complete search history.

(57) **CLAIM**

The ornamental design for water dispenser, as shown and described.

DESCRIPTION

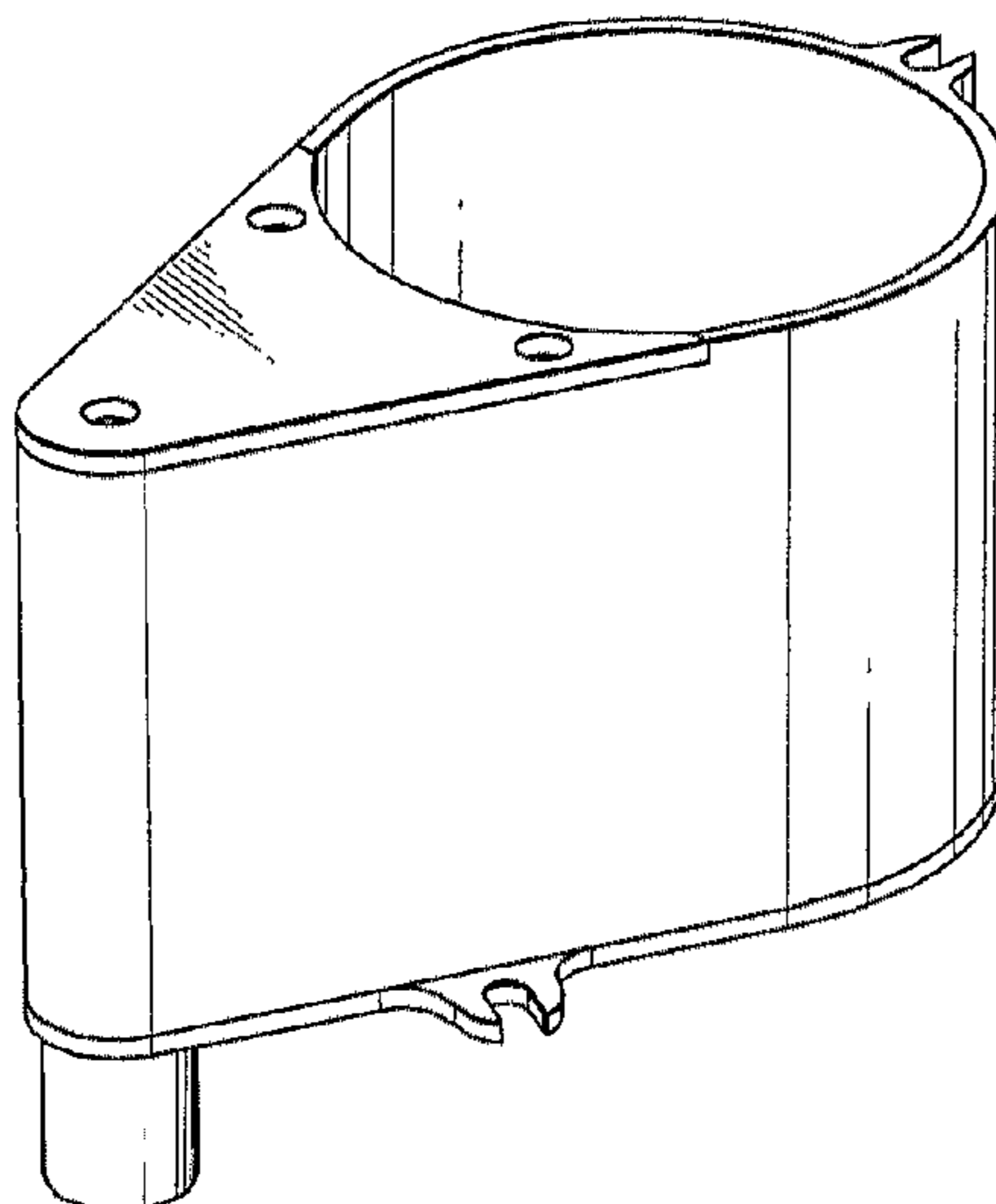
FIG. 1 is a front perspective view of the water dispenser; FIG. 2 is a left side view of the water dispense; FIG. 3 is a right side view of the water dispenser; FIG. 4 is a front view of the water dispenser; FIG. 5 is a back view of the water dispenser; FIG. 6 is a top view of the water dispenser; and, FIG. 7 is a bottom view of the water dispenser.

(56) **References Cited**

U.S. PATENT DOCUMENTS

- D221,791 S 9/1971 Chi
- 5,027,851 A * 7/1991 Drees et al. 137/359
- D364,305 S 11/1995 Rasmussen
- D366,833 S * 2/1996 Daansen D9/447
- D401,477 S 11/1998 Martindale

1 Claim, 2 Drawing Sheets



US D665,622 S

Page 2

U.S. PATENT DOCUMENTS

D512,483 S * 12/2005 Painsi D23/238
D547,116 S * 7/2007 Ranzoni D7/398
D562,066 S 2/2008 Palmer-Baker
D565,877 S * 4/2008 Chen D6/542
D610,403 S 2/2010 Russell
D612,203 S 3/2010 Bollin
D643,512 S 8/2011 Matsuura et al.

FOREIGN PATENT DOCUMENTS

TW D123328 6/2008

OTHER PUBLICATIONS

Search Report for Design Patent Application No. 099304511, dated Apr. 20, 2011, 1 page translation.
Search Report for Design Patent Application No. 099304507, dated Apr. 20, 2011, 1 page translation.
Search Report for Design Patent Application No. 099304509, dated Apr. 20, 2011, 1 page translation.

* cited by examiner

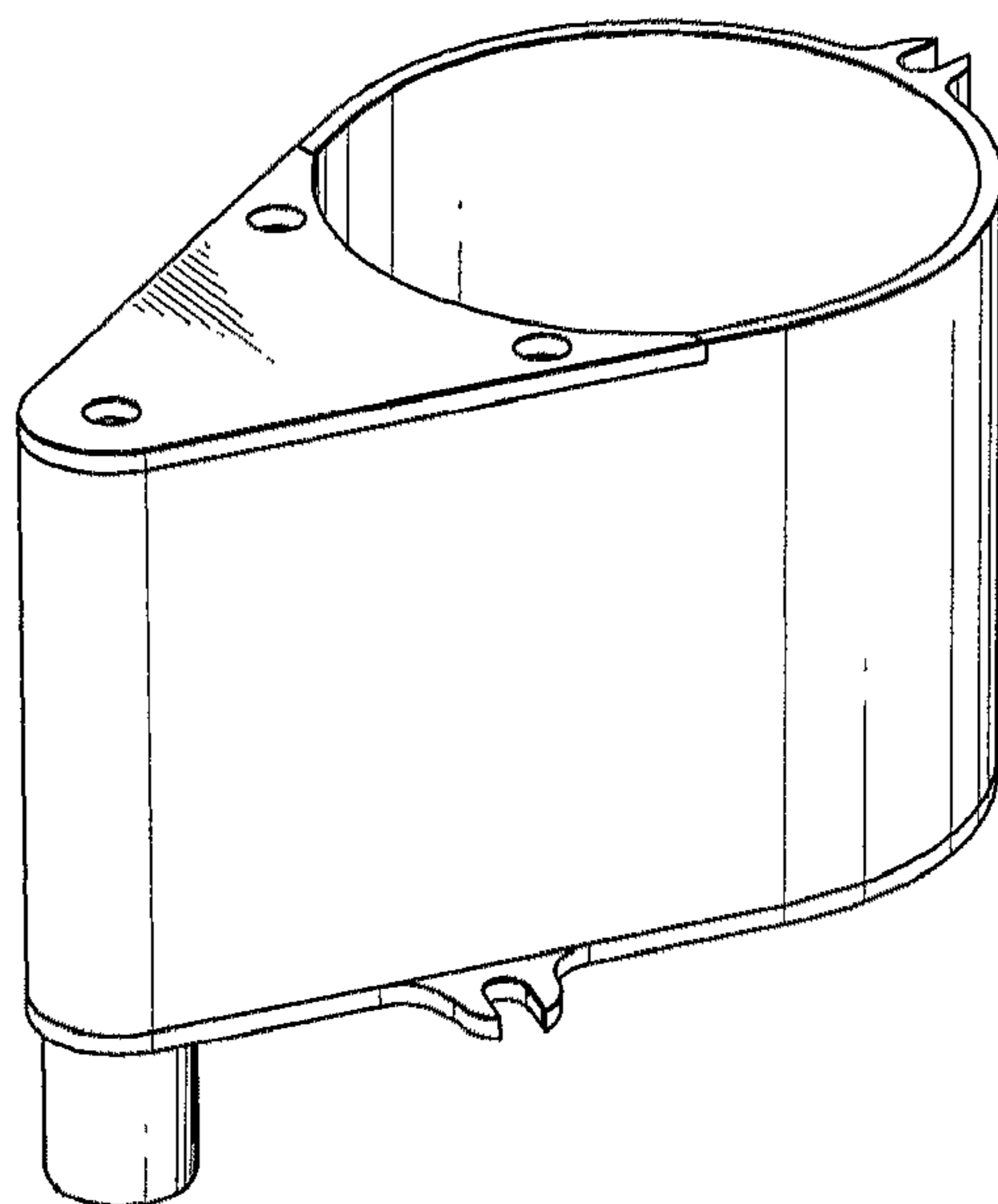


FIG. 1

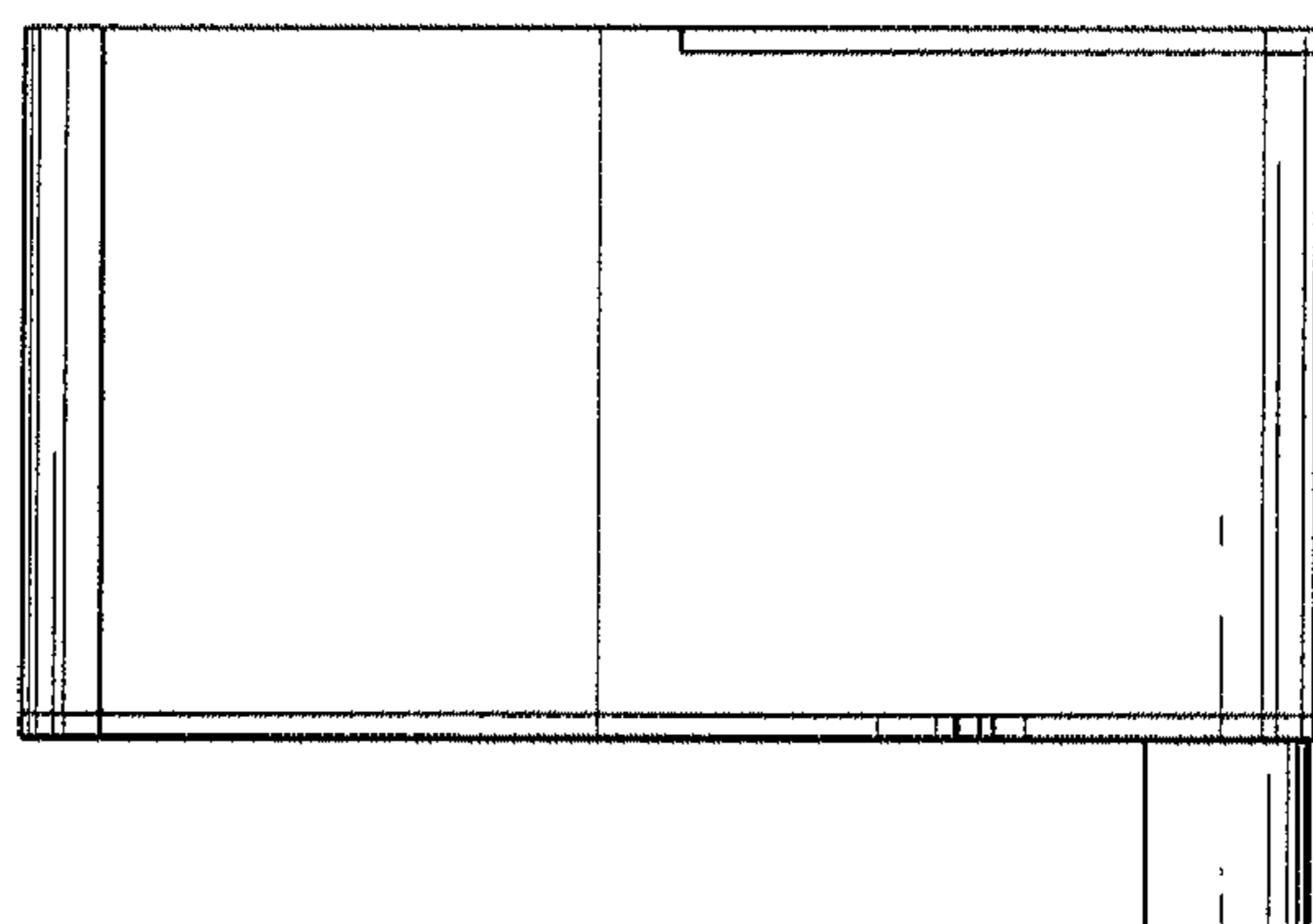


FIG. 2

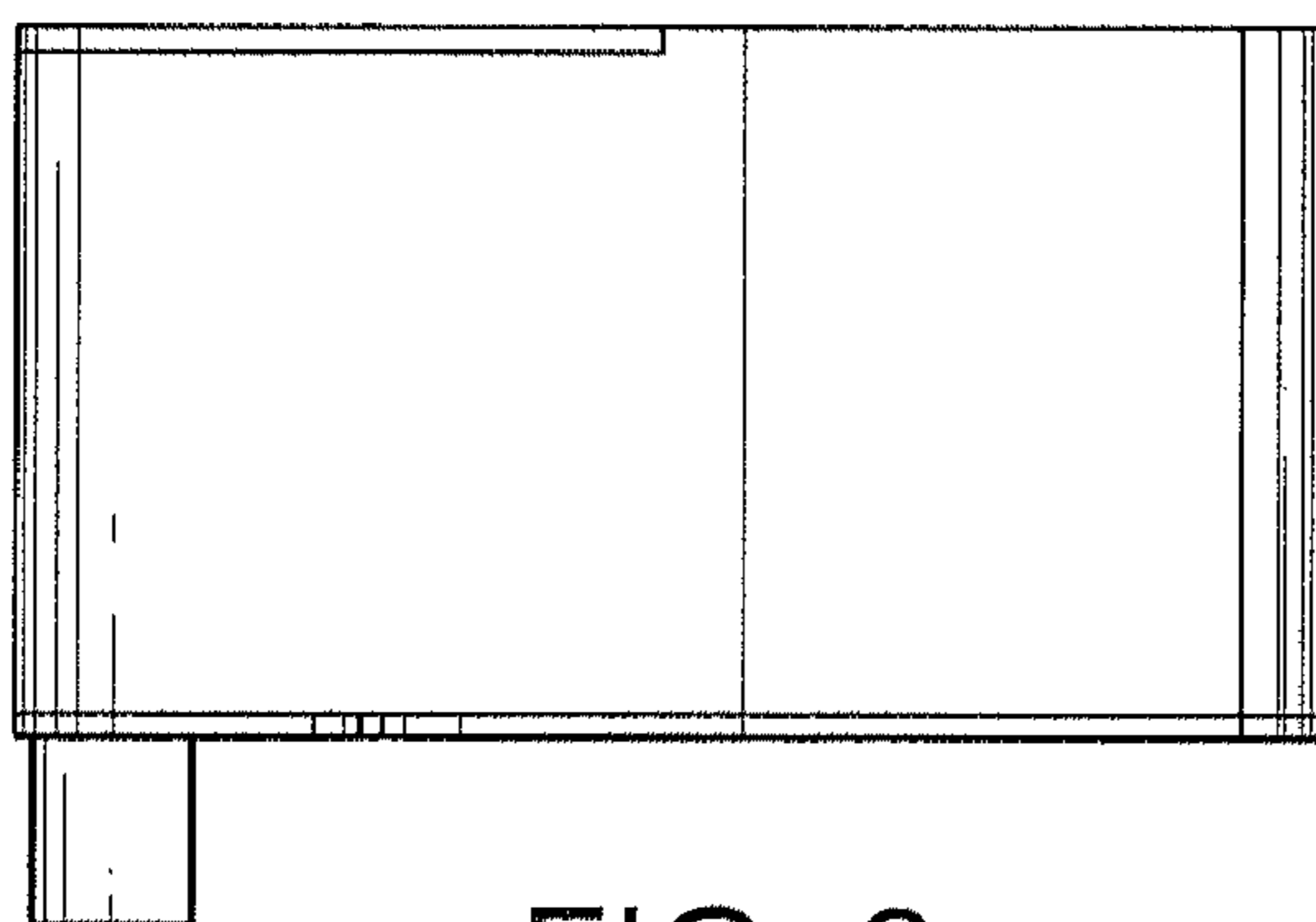


FIG. 3

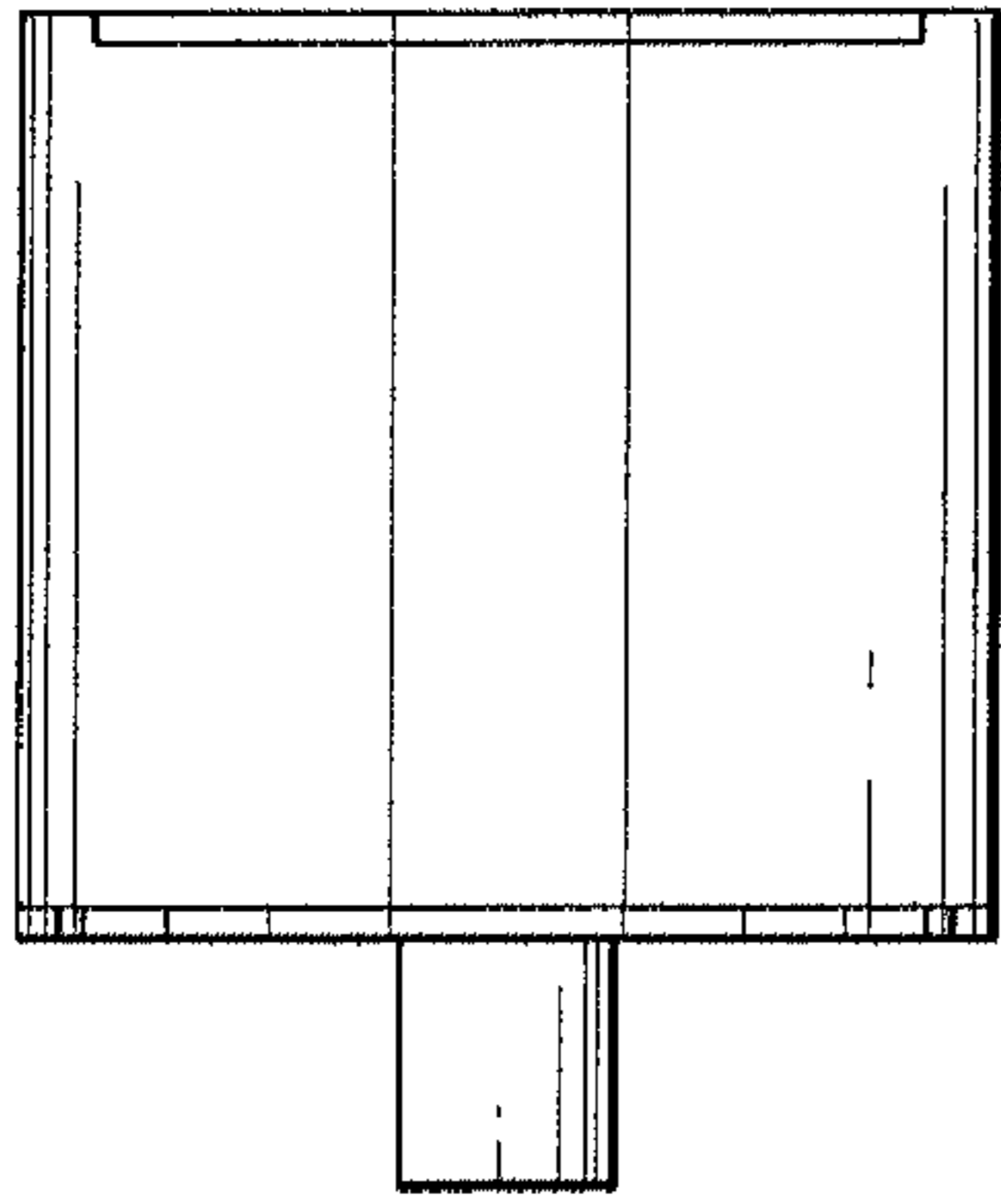


FIG. 4

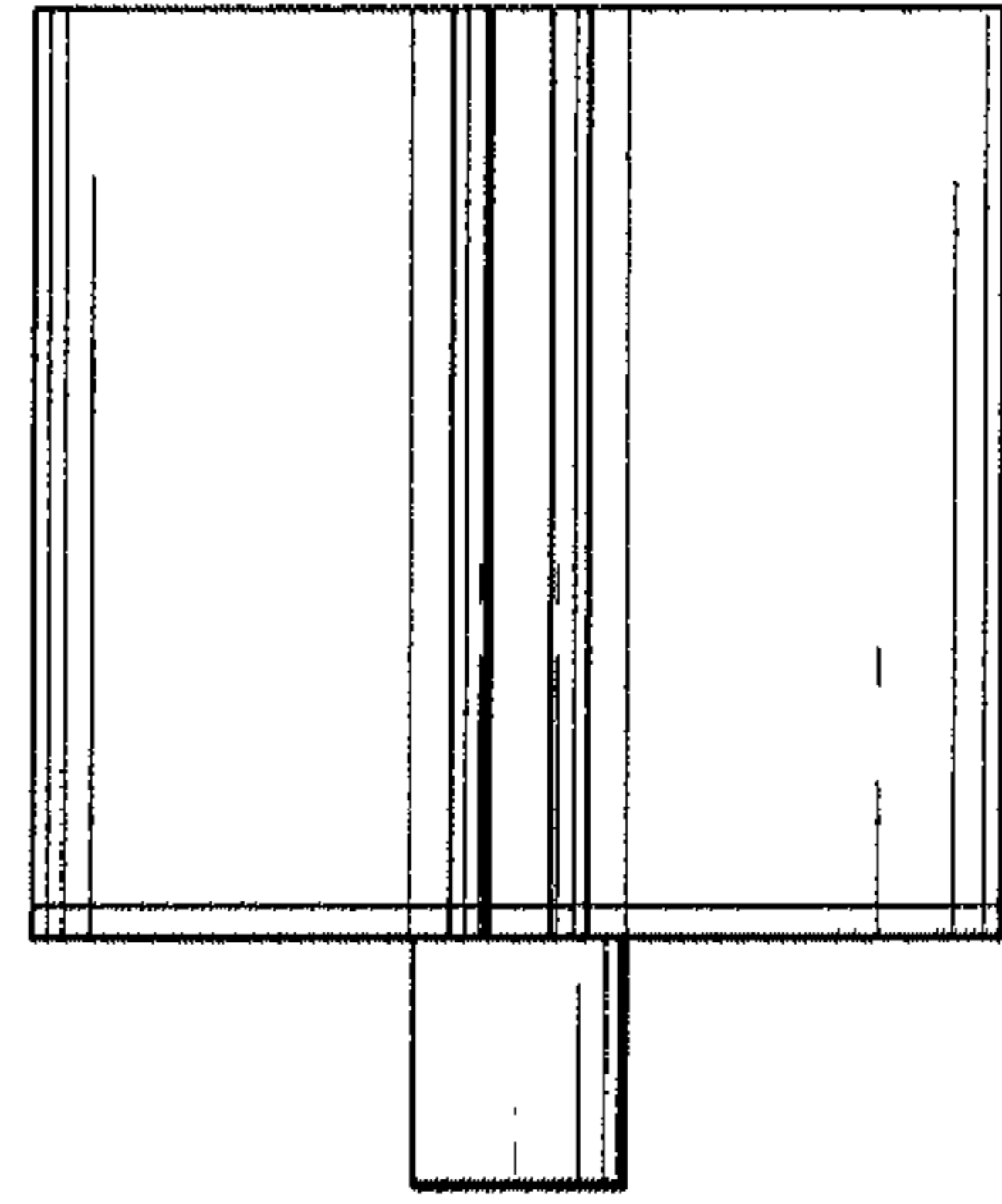


FIG. 5

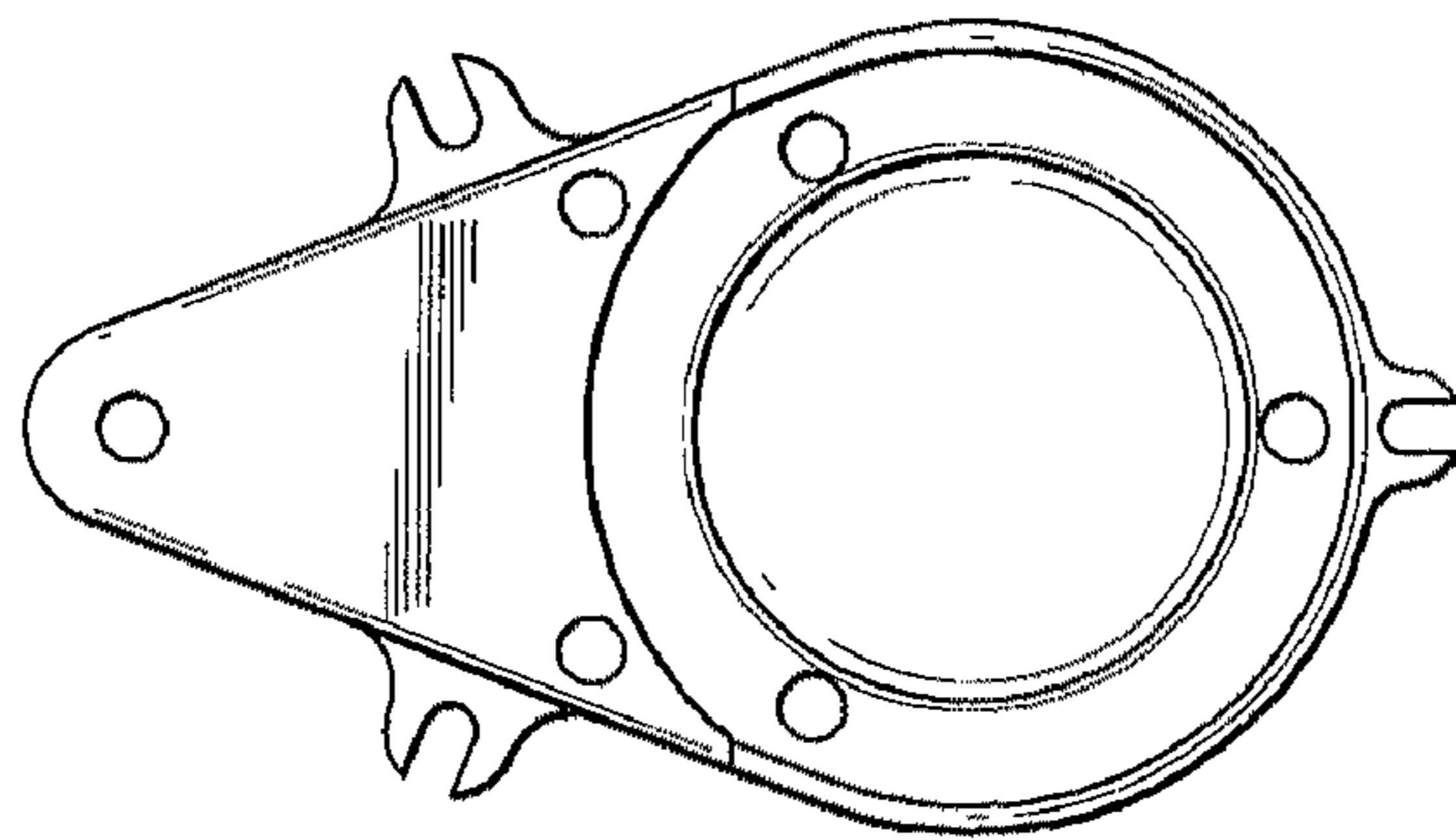


FIG. 6

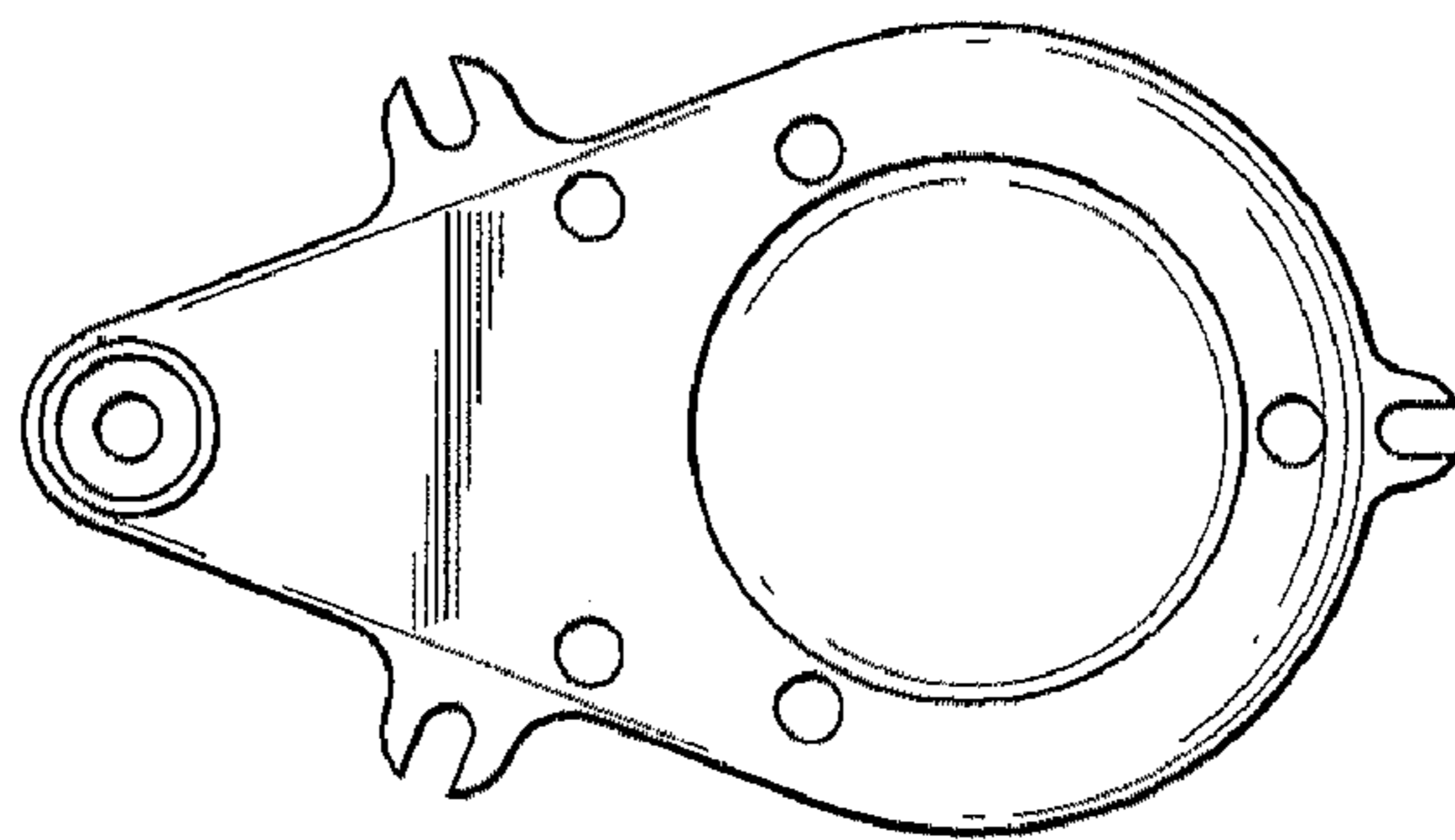


FIG. 7