



US00D665620S

(12) **United States Design Patent**  
**Chapman et al.**

(10) **Patent No.:** **US D665,620 S**

(45) **Date of Patent:** **\*\* Aug. 21, 2012**

(54) **MOTORIZED DRESSING MIXER**

(75) Inventors: **Dean B. Chapman**, New York, NY  
(US); **Matthew L. Chin**, New York, NY  
(US); **Olivia Blechschmidt**, Weehawken,  
NJ (US)

(73) Assignee: **Freshlink Product Development, LLC**,  
New York, NY (US)

(\*\*) Term: **14 Years**

(21) Appl. No.: **29/410,877**

(22) Filed: **Jan. 12, 2012**

(51) **LOC (9) Cl.** ..... **31-00**

(52) **U.S. Cl.** ..... **D7/376; D7/378; D7/384**

(58) **Field of Classification Search** ..... D7/301-313,  
D7/316-319, 356-357, 368, 372-386, 391-398,  
D7/412-415, 598, 665, 679, 691-693; D9/520,  
D9/684; 99/326, 348, 492, 508-512; 241/30-37.5,  
241/101.01-101.2, 166-169.1, 172, 272,  
241/283, 285.1-285.3, 291, 292.1; 366/64-67,  
366/98, 129, 142-144, 197-211, 241-254,  
366/262, 279-292, 325.8, 325.92, 341-347;  
416/75-77, 70 R, 163

See application file for complete search history.

(56) **References Cited**

U.S. PATENT DOCUMENTS

D390,470 S \* 2/1998 Mahlmann et al. .... D9/520  
D489,585 S \* 5/2004 Wong ..... D7/693  
D511,658 S \* 11/2005 Sun ..... D7/679  
D518,994 S \* 4/2006 Lin ..... D7/378

D530,975 S \* 10/2006 Fernandez ..... D7/378  
D549,043 S \* 8/2007 Beesley et al. .... D7/378  
D554,427 S \* 11/2007 Sands ..... D7/378  
D555,416 S \* 11/2007 Bodum ..... D7/317  
D560,445 S \* 1/2008 Tardif et al. .... D7/679  
D563,238 S \* 3/2008 Nevins et al. .... D9/684  
D618,062 S \* 6/2010 Jossem et al. .... D7/598  
2002/0113155 A1 \* 8/2002 Weibel et al. .... 241/283  
2004/0149843 A1 \* 8/2004 Tang ..... 241/272

\* cited by examiner

*Primary Examiner* — Ricky Pham

(74) *Attorney, Agent, or Firm* — Klauber & Jackson LLC

(57) **CLAIM**

The ornamental design for a motorized dressing mixer, as shown and described.

**DESCRIPTION**

FIG. 1 is a front view of the motorized dressing mixer of our new design;

FIG. 2 is a right side view thereof;

FIG. 3 is a left side view thereof;

FIG. 4 is a top view thereof;

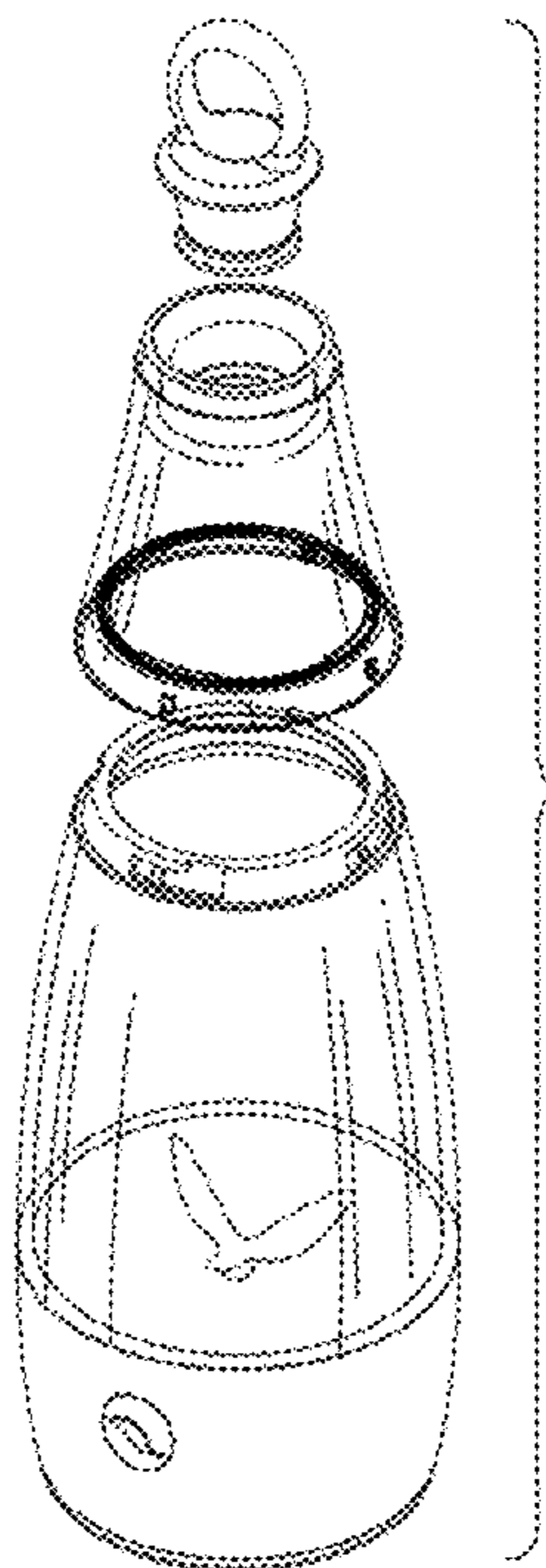
FIG. 5 is a top view with the upper portion of the motorized dressing mixer removed to show the impeller at the bottom thereof;

FIG. 6 is a bottom view thereof;

FIG. 7 is an exploded upper perspective view showing the top, front and left side of the motorized dressing mixer, with the base, upper portion stopper axially displaced from each other; and,

FIG. 8 is an upper perspective view like that of FIG. 7, showing the top, front and left side of the motorized dressing mixer assembled as a single unit.

**1 Claim, 3 Drawing Sheets**



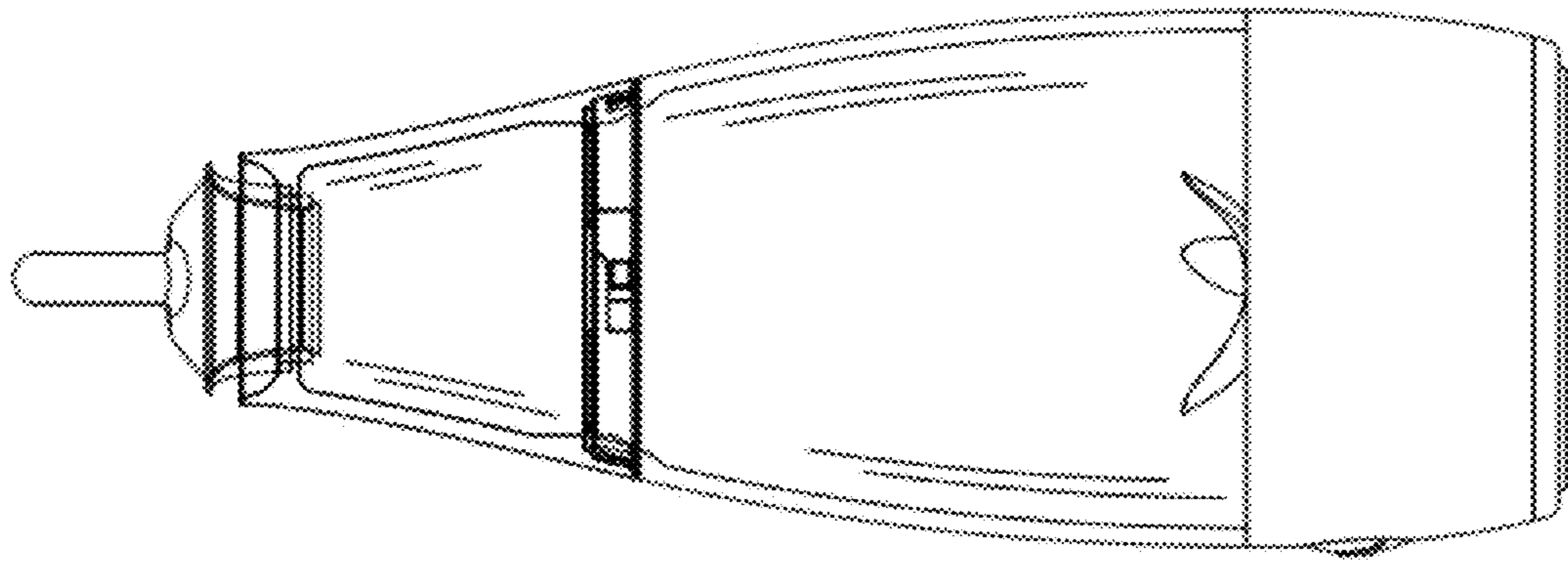


Fig. 3

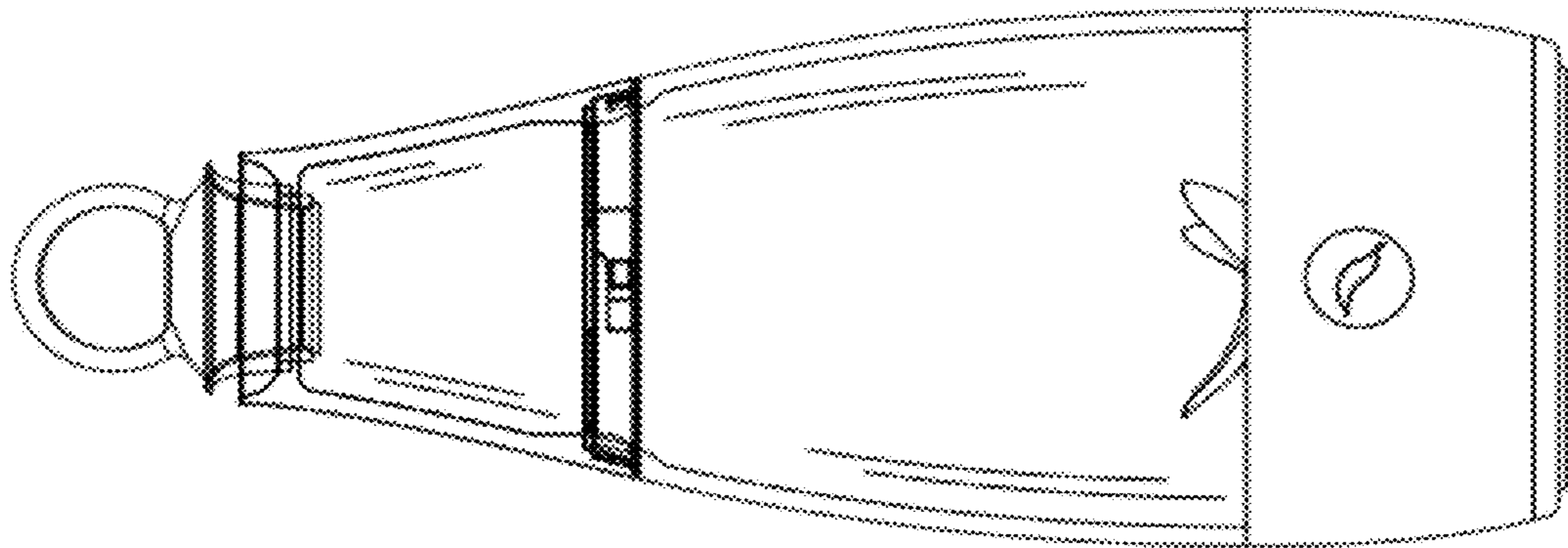


Fig. 1

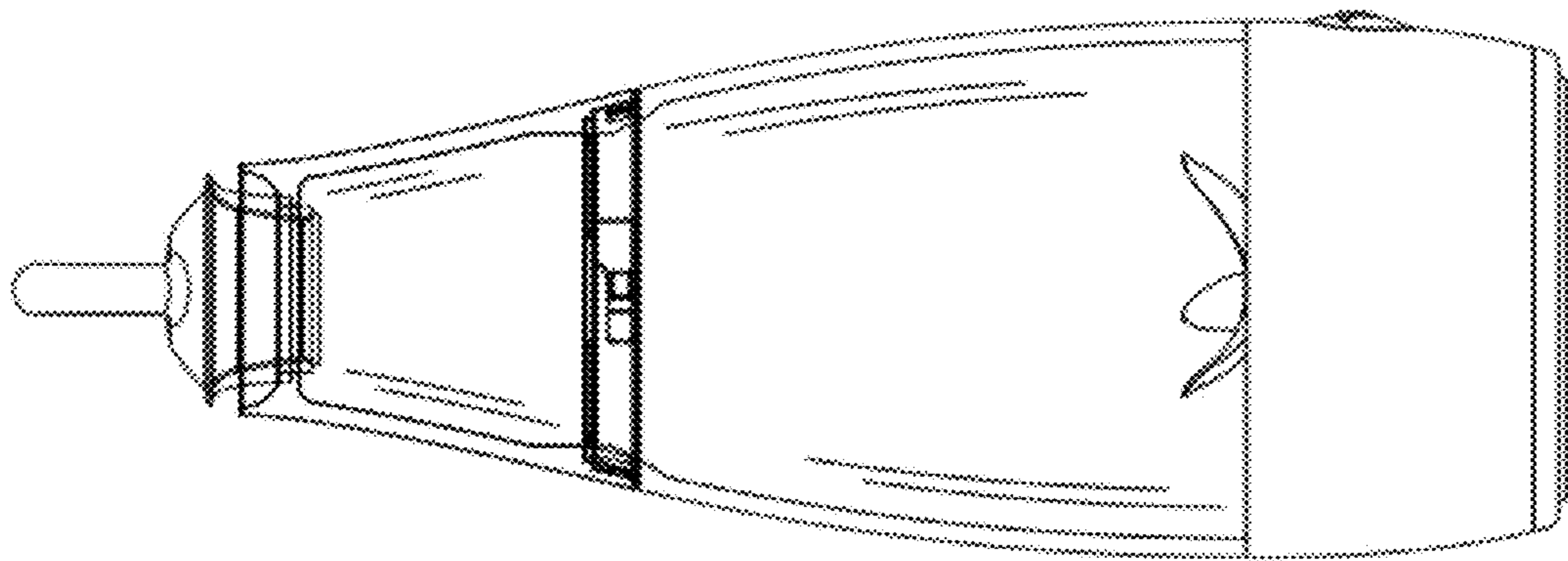


Fig. 2



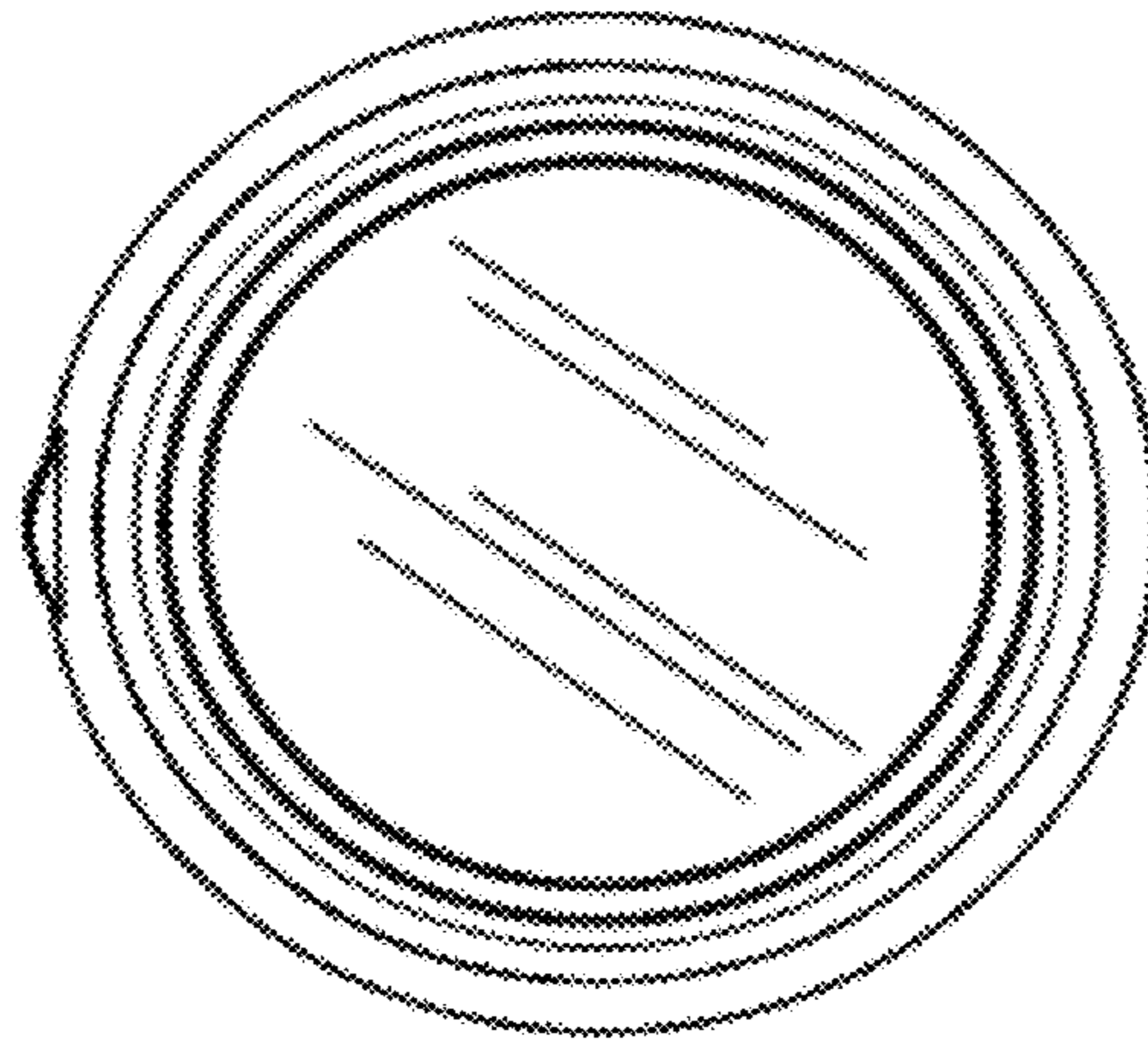


Fig. 6

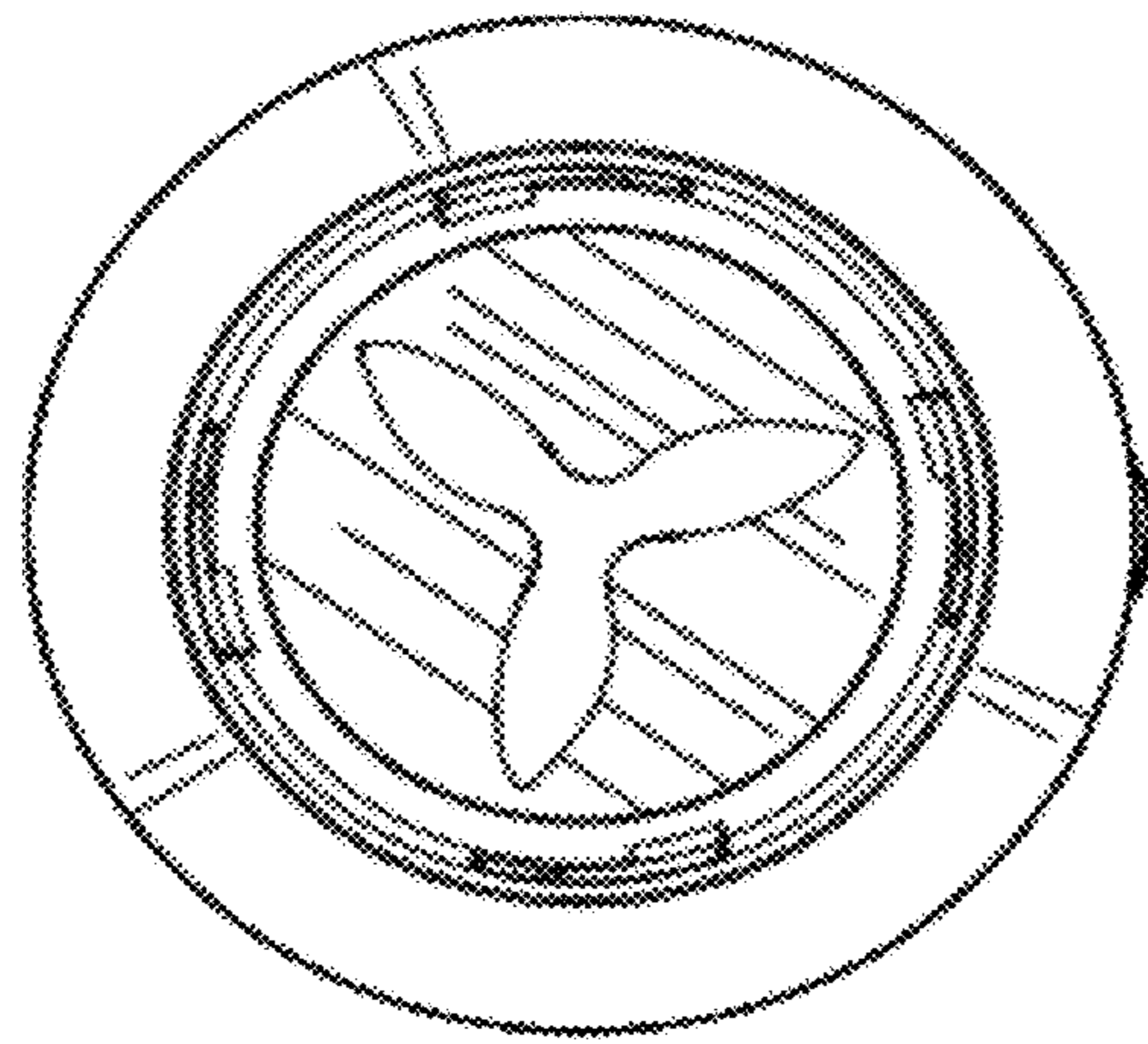


Fig. 5

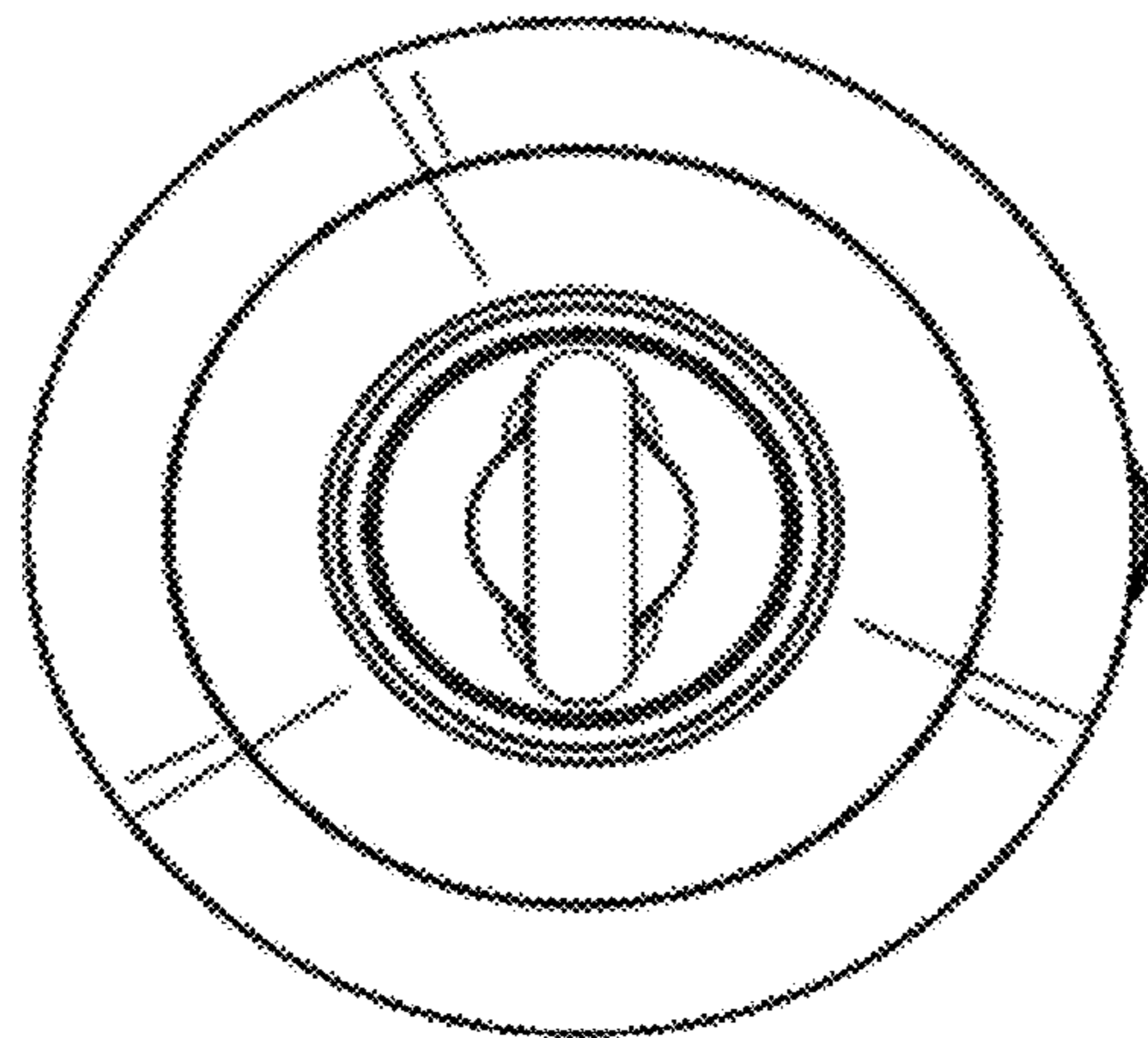


Fig. 4

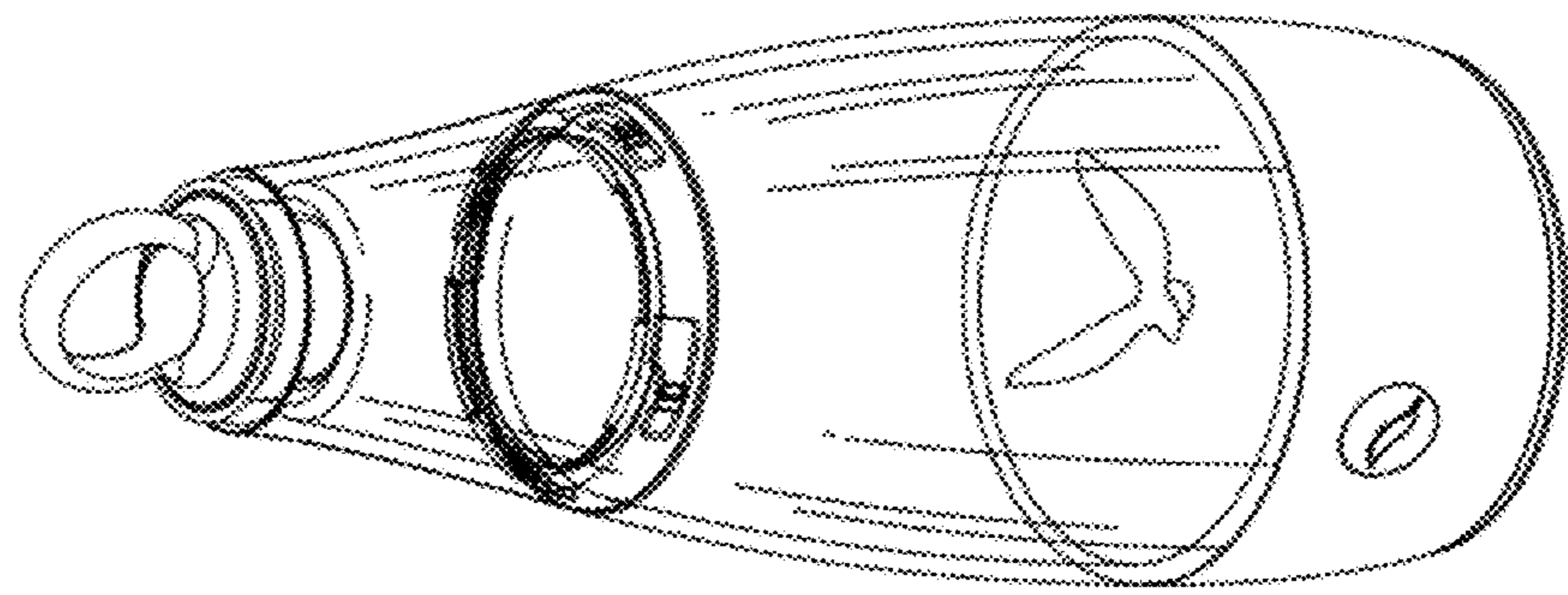


Fig. 8

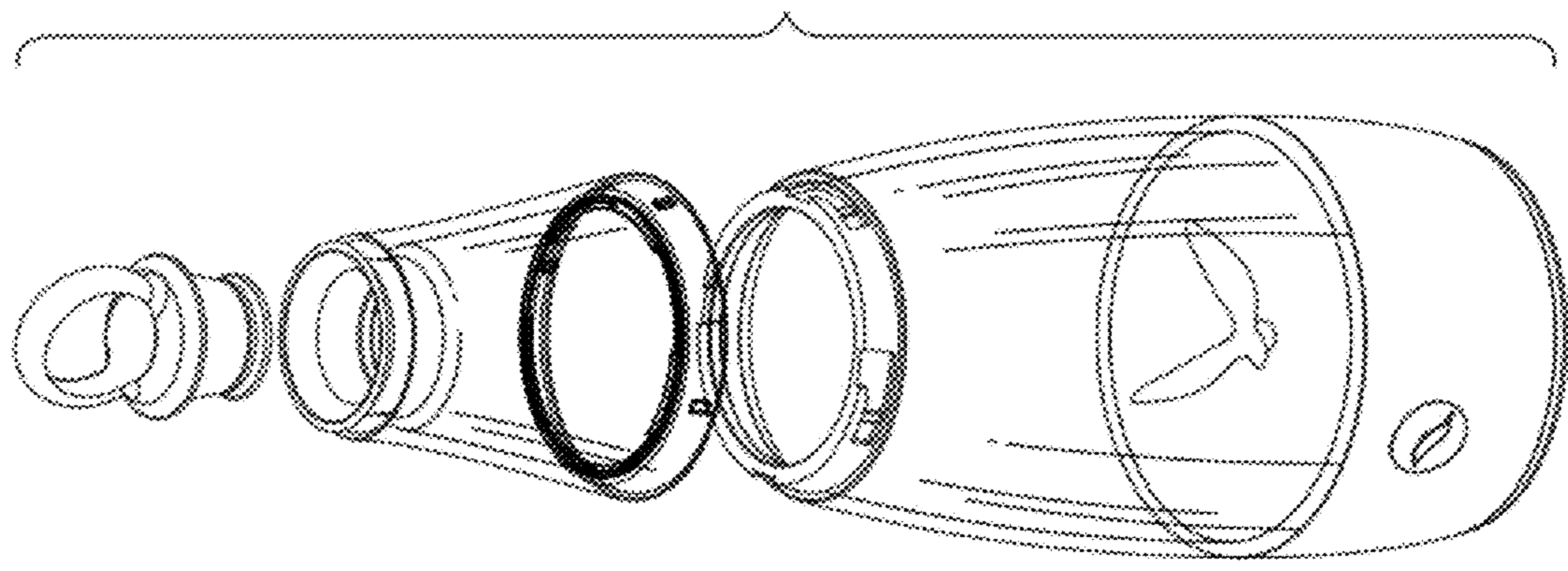


Fig. 7