



US00D665619S

(12) **United States Design Patent**  
**Mercier**

(10) **Patent No.:** **US D665,619 S**

(45) **Date of Patent:** **\*\* Aug. 21, 2012**

(54) **STEAMER**

(76) Inventor: **Pierre Mercier**, Laval (CA)

(\*\*) Term: **14 Years**

(21) Appl. No.: **29/413,815**

(22) Filed: **Feb. 21, 2012**

(51) **LOC (9) Cl.** ..... **07-02**

(52) **U.S. Cl.** ..... **D7/357; D7/354**

(58) **Field of Classification Search** ..... D7/323,  
D7/329-332, 337, 346-347, 350.1-350.4,  
D7/353-367, 391, 393, 395, 402, 406, 538,  
D7/542, 560; 99/324-325, 331-332, 337-340,  
99/369, 400-418, 422, 425-426, 444; 126/37 R,  
126/41 R, 261, 378.1; 206/501-505, 507-508;  
219/400, 405, 429-442, 620-624, 725, 730-735;  
220/315, 573.1-573.5, 912; 426/438, 441  
See application file for complete search history.

(56) **References Cited**

**U.S. PATENT DOCUMENTS**

D152,042 S *	12/1948	Sundberg et al.	.....	D7/360
D297,100 S *	8/1988	Schaller	.....	D7/356
D402,848 S *	12/1998	Piret	.....	D7/356
D433,869 S *	11/2000	Wong et al.	.....	D7/360
6,234,067 B1 *	5/2001	Schmidt	.....	99/426

D449,958 S *	11/2001	Liu	.....	D7/356
D522,799 S *	6/2006	Kassenaar	.....	D7/350.2
D542,095 S *	5/2007	Orent et al.	.....	D7/560
D620,743 S *	8/2010	Hsiao	.....	D7/354
D620,744 S *	8/2010	Rose	.....	D7/357
D644,475 S *	9/2011	McLemore et al.	.....	D7/354
D647,752 S *	11/2011	Curtis et al.	.....	D7/357

\* cited by examiner

*Primary Examiner* — Ricky Pham

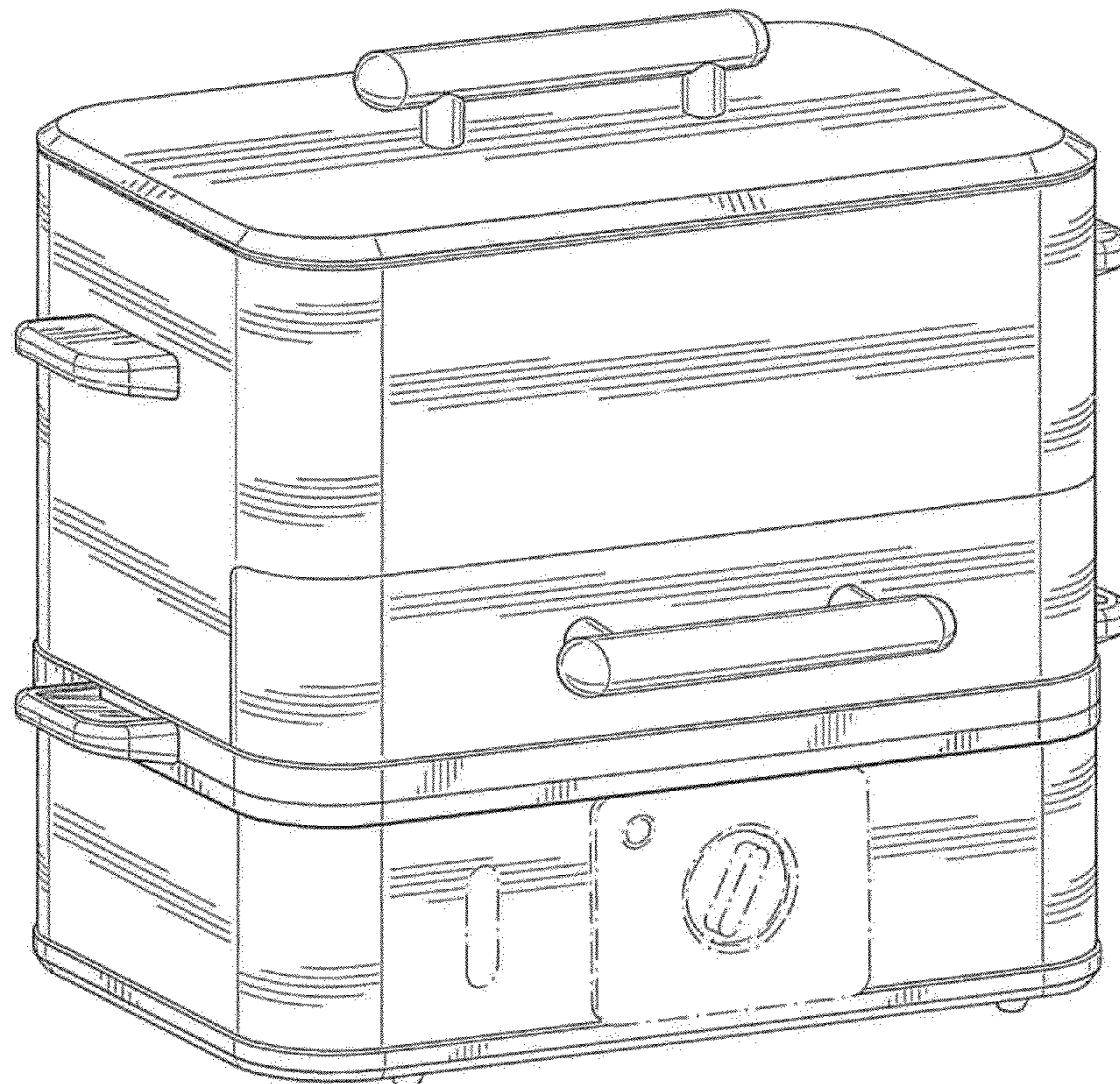
(57) **CLAIM**

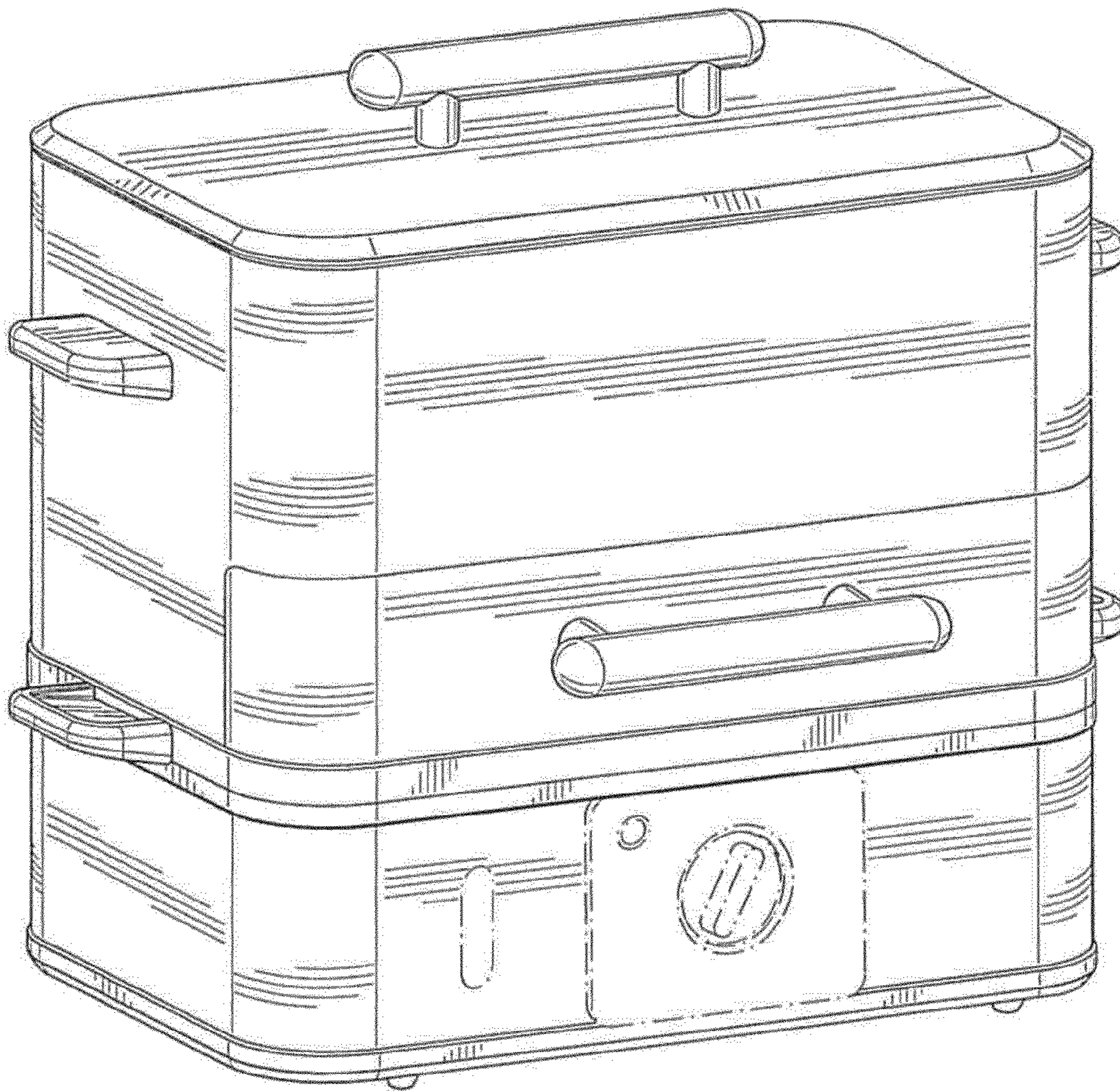
The ornamental design for the “steamer,” as shown and described.

**DESCRIPTION**

FIG. 1 is a front perspective view of the steamer.  
 FIG. 2 is a rear perspective view of the steamer taken from below.  
 FIG. 3 is a left side elevation view of the steamer of FIG. 4.  
 FIG. 4 is a front elevation view of the steamer.  
 FIG. 5 is a right side elevation view of the steamer of FIG. 4.  
 FIG. 6 is a rear elevation view of the steamer.  
 FIG. 7 is a top plan view of the steamer; and,  
 FIG. 8 is a bottom plan view of the steamer.  
 The broken lines shown in the drawings are for illustrative purposes only and form no part of the claimed design.

**1 Claim, 5 Drawing Sheets**





**FIG. 1**

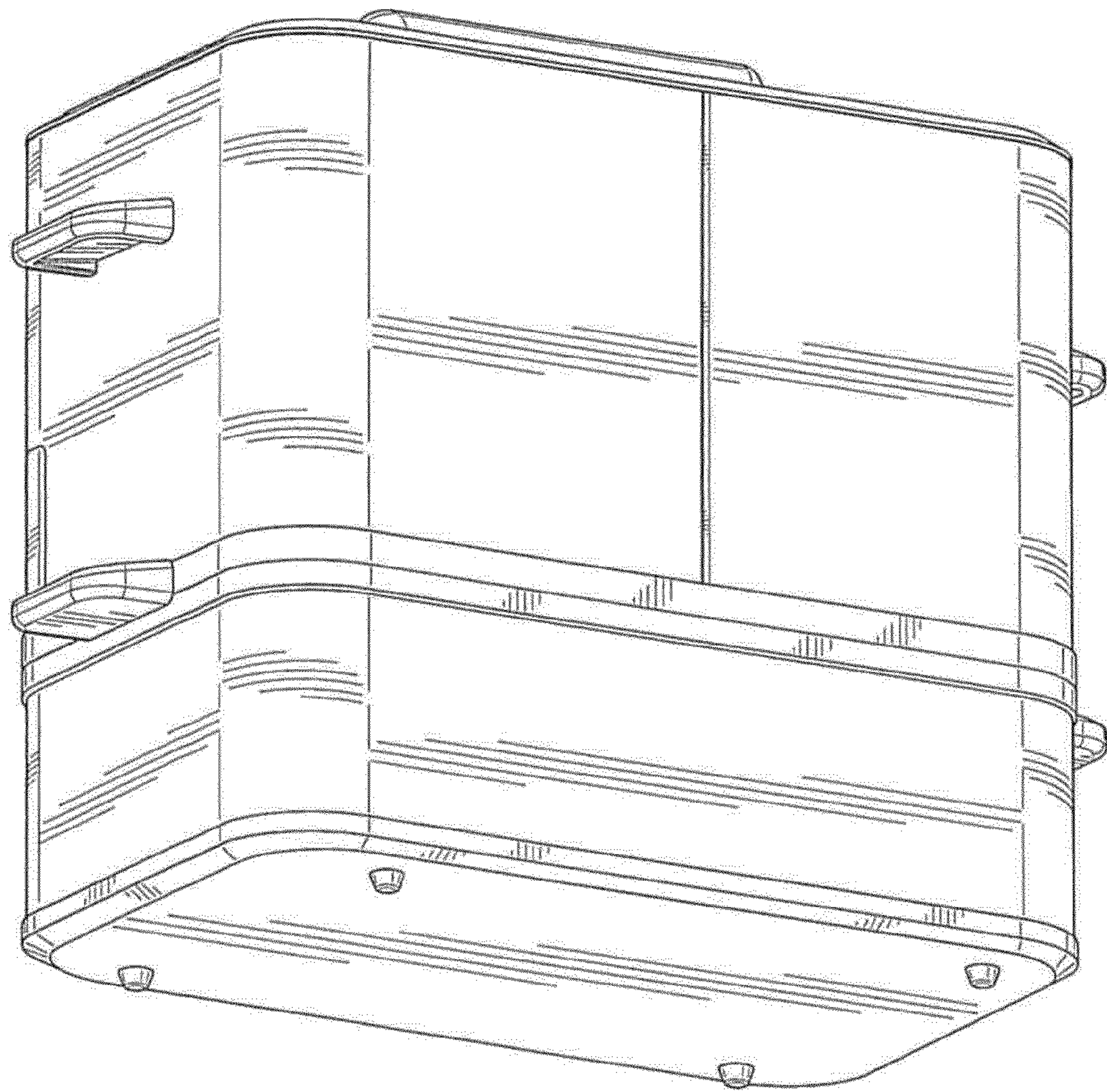
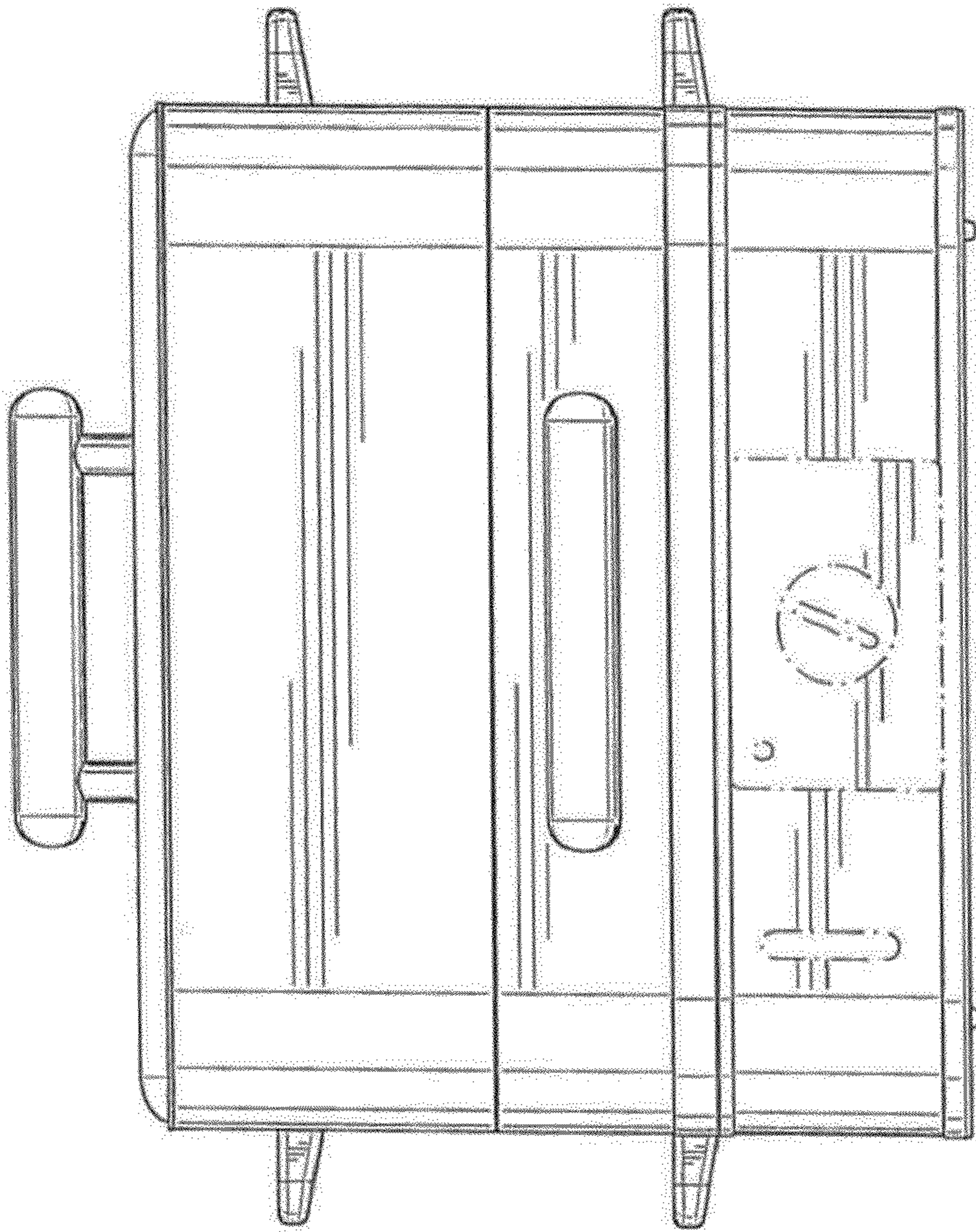
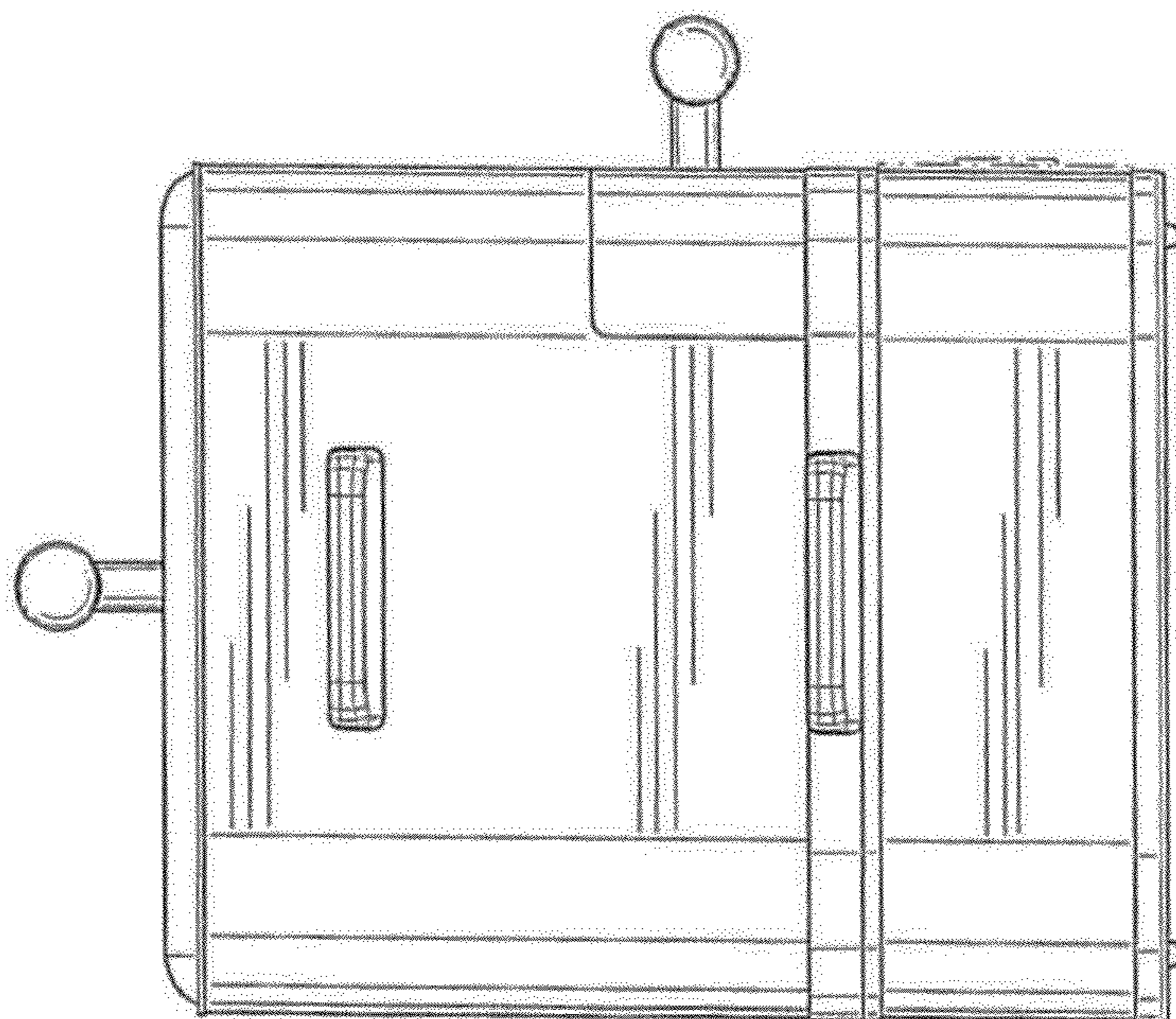


FIG. 2



**FIG. 4**



**FIG. 3**

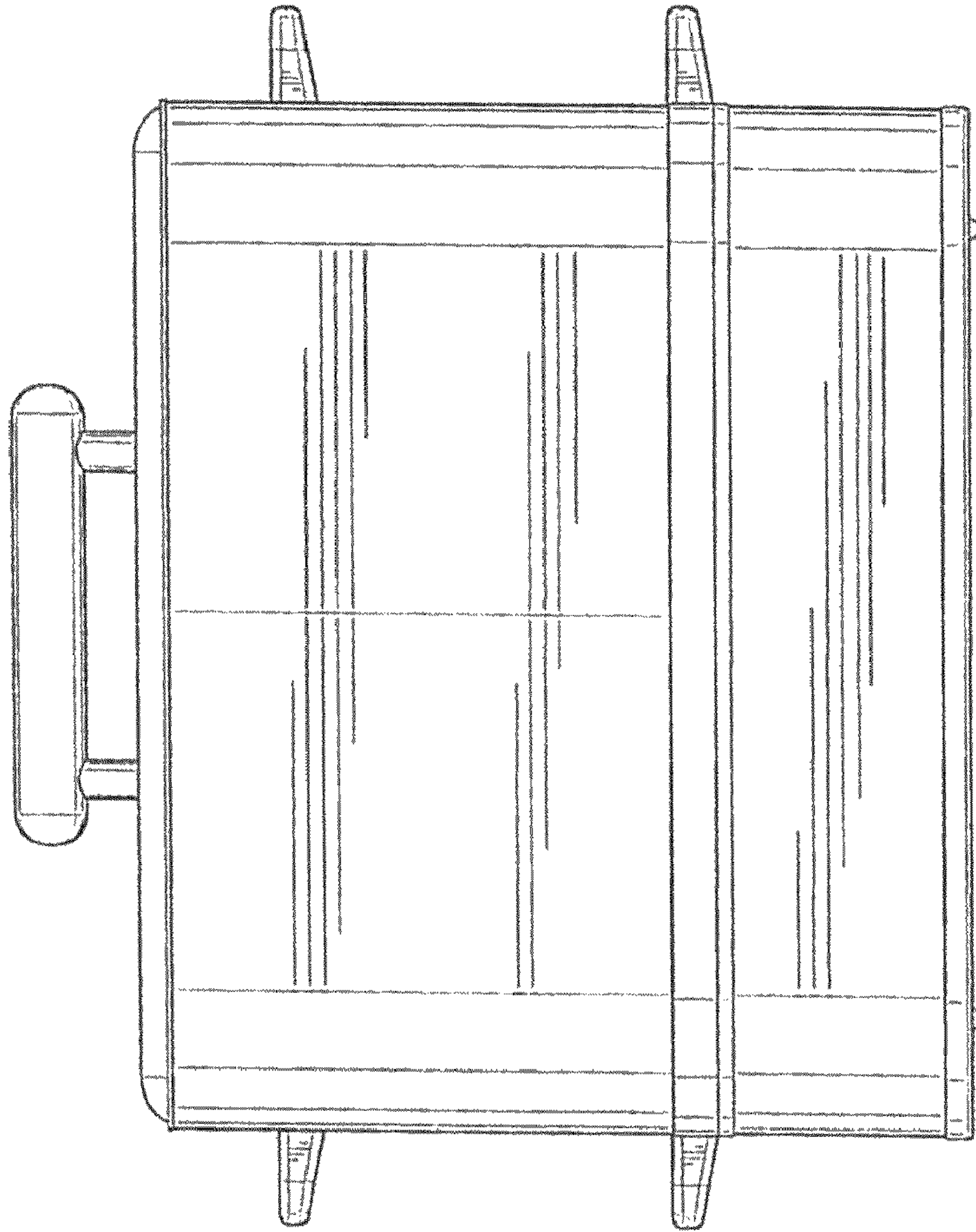


FIG. 6

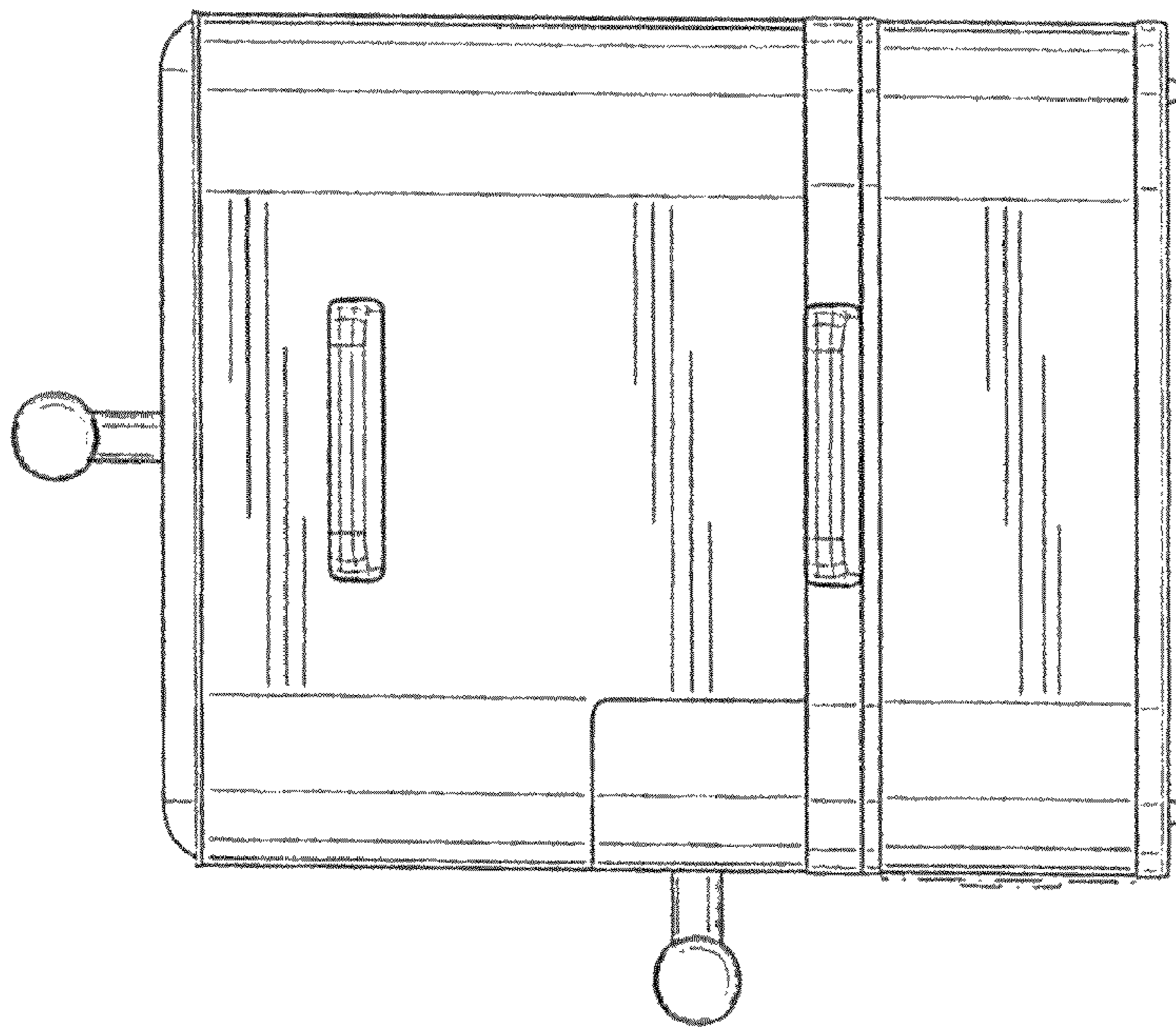


FIG. 5

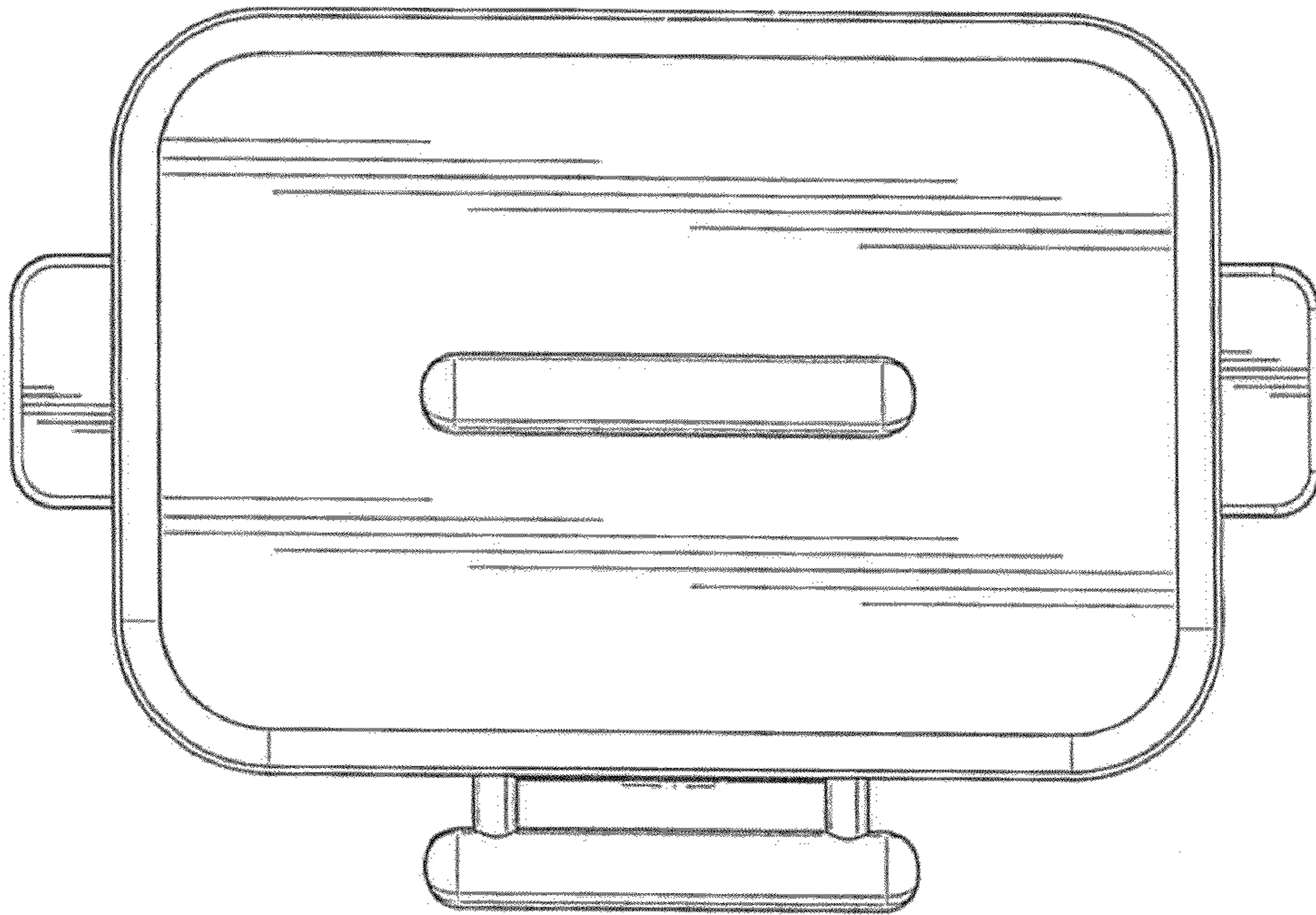


FIG. 7

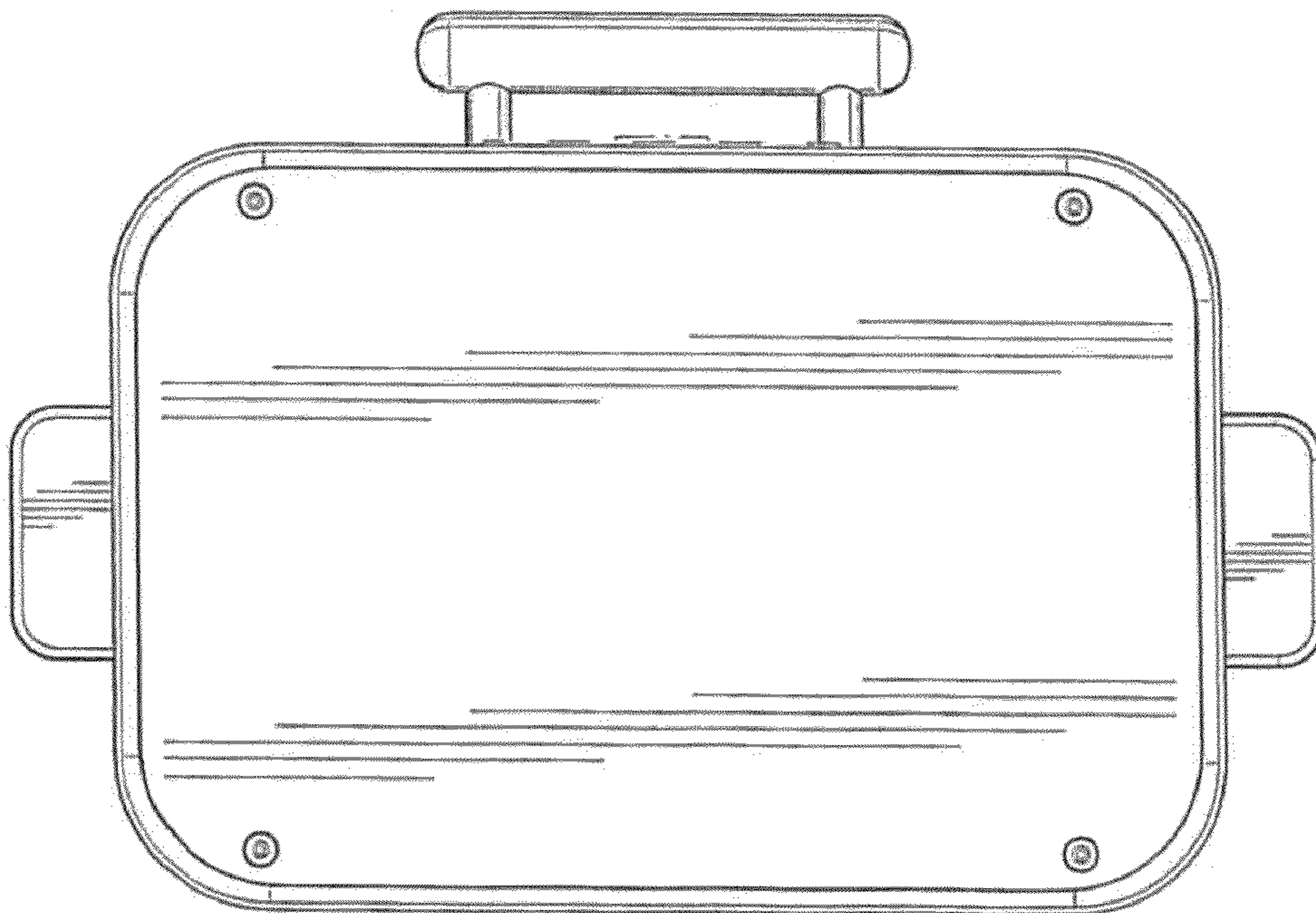


FIG. 8