



US00D665618S

(12) **United States Design Patent**  
**Ho**

(10) **Patent No.:** **US D665,618 S**

(45) **Date of Patent:** **\*\* Aug. 21, 2012**

(54) **FRENCH FRIES PROCESSING MACHINE**

(76) Inventor: **Wei-Teh Ho**, Taipei (TW)

(\*\*) Term: **14 Years**

(21) Appl. No.: **29/388,727**

(22) Filed: **Mar. 31, 2011**

(51) **LOC (9) Cl.** ..... **07-02**

(52) **U.S. Cl.** ..... **D7/354; D7/376; D7/378; D7/379**

(58) **Field of Classification Search** ..... D7/301-313,  
D7/316-319, 338, 354-357, 368, 372-386,  
D7/391-398, 412-415, 515, 665, 679, 691;  
D8/64; 99/326, 348, 492, 508-512; 241/30-37.5,  
241/101.01-101.2, 166-169.1, 172, 285.1-285.3,  
241/291, 292.1; 366/64-67, 98, 129, 142-144,  
366/197-211, 241-254, 262, 279-292, 325.8,  
366/325.92, 341-347; 416/75-77, 70 R,  
416/163

See application file for complete search history.

(56) **References Cited**

**U.S. PATENT DOCUMENTS**

D131,508 S *	3/1942	Eddy .....	D7/338
D178,266 S *	7/1956	Swann .....	D7/379
D329,166 S *	9/1992	Doggett .....	D7/376
D336,405 S *	6/1993	Maass .....	D7/379
D362,783 S *	10/1995	Cruz .....	D7/379
D364,532 S *	11/1995	Seiffert .....	D7/379

D418,010 S *	12/1999	Chan .....	D7/379
D419,365 S *	1/2000	Endres .....	D7/379
D419,366 S *	1/2000	Tse .....	D7/379
D504,592 S *	5/2005	Wanat .....	D7/379
D523,309 S *	6/2006	Schmid .....	D8/64
D539,603 S *	4/2007	Holderfield et al. ....	D7/379
D629,640 S *	12/2010	Tsai .....	D7/354

\* cited by examiner

*Primary Examiner* — Ricky Pham

(74) *Attorney, Agent, or Firm* — Chun-Ming Shih

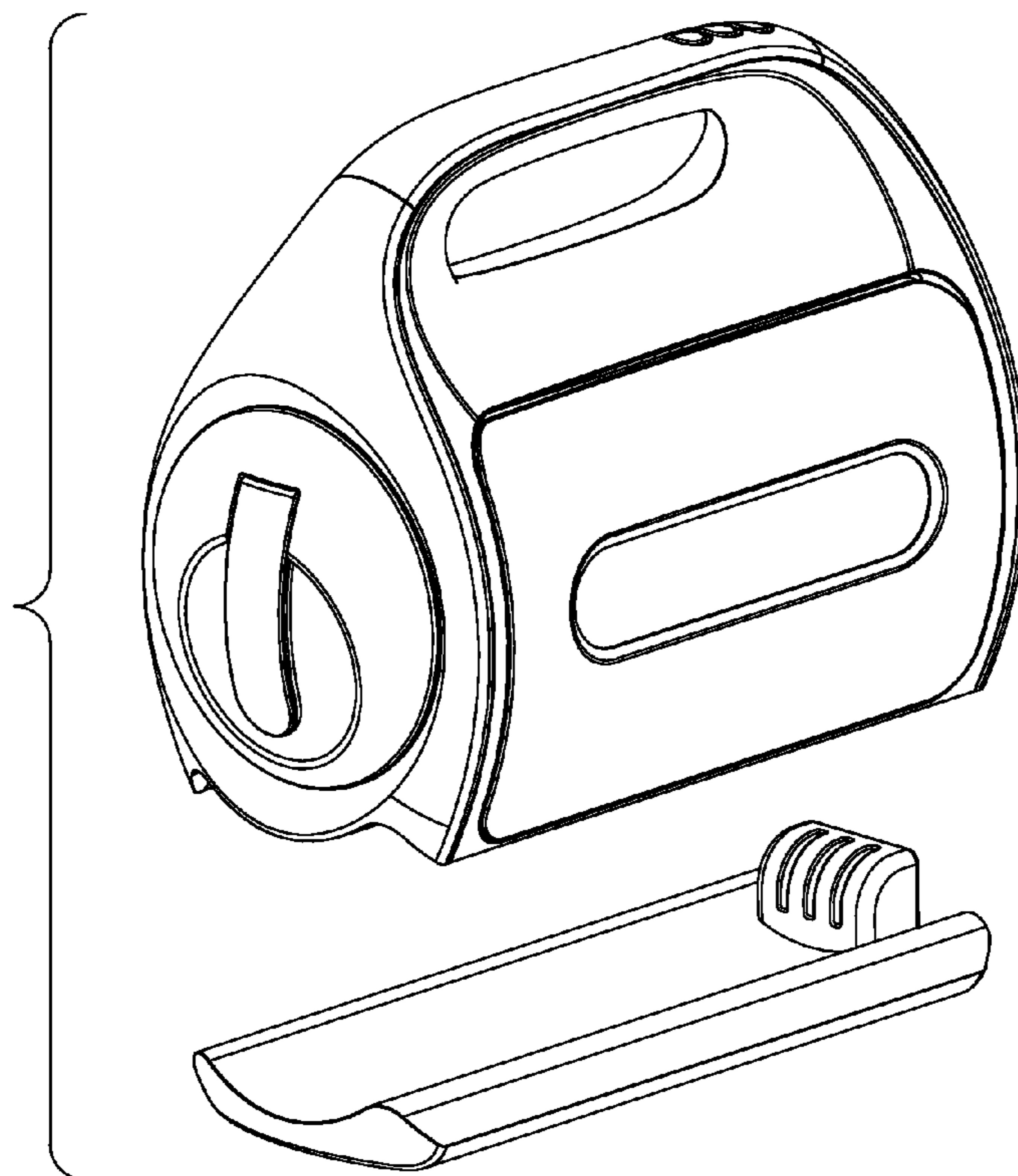
(57) **CLAIM**

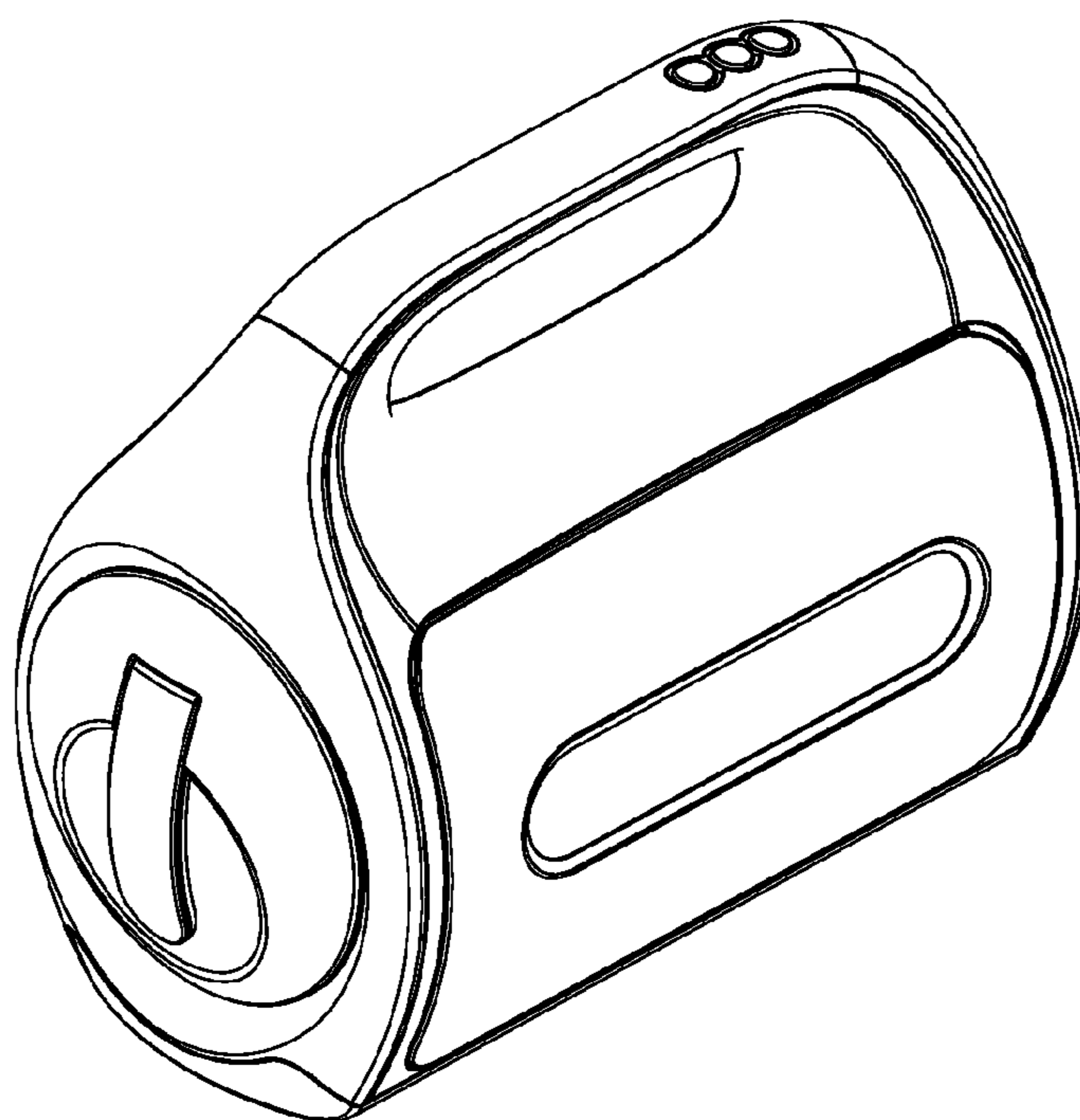
The ornamental design for a French fries processing machine, as shown and described.

**DESCRIPTION**

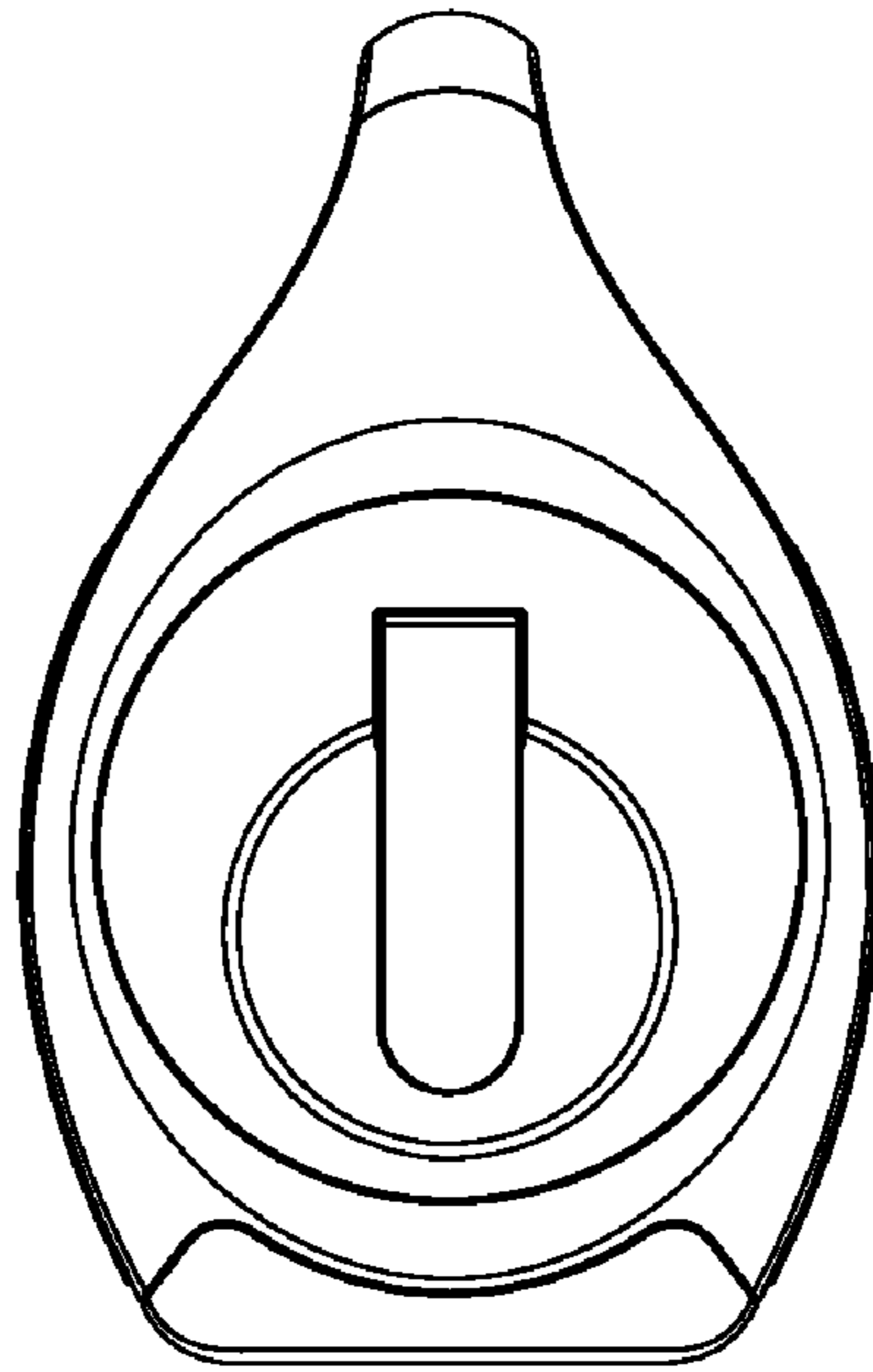
FIG. 1 is a front right perspective view of an French fries processing machine showing my new design; FIG. 2 is a front perspective view thereof; FIG. 3 is a rear perspective view thereof; FIG. 4 is a left side elevation view thereof; FIG. 5 is a right side elevation view thereof; FIG. 6 is a top plan view thereof; FIG. 7 is a bottom plan view thereof; and, FIG. 8 is an exploded perspective of the French fries processing machine, shown with the French fries processing machine compartment opened for completeness of illustration.

**1 Claim, 5 Drawing Sheets**

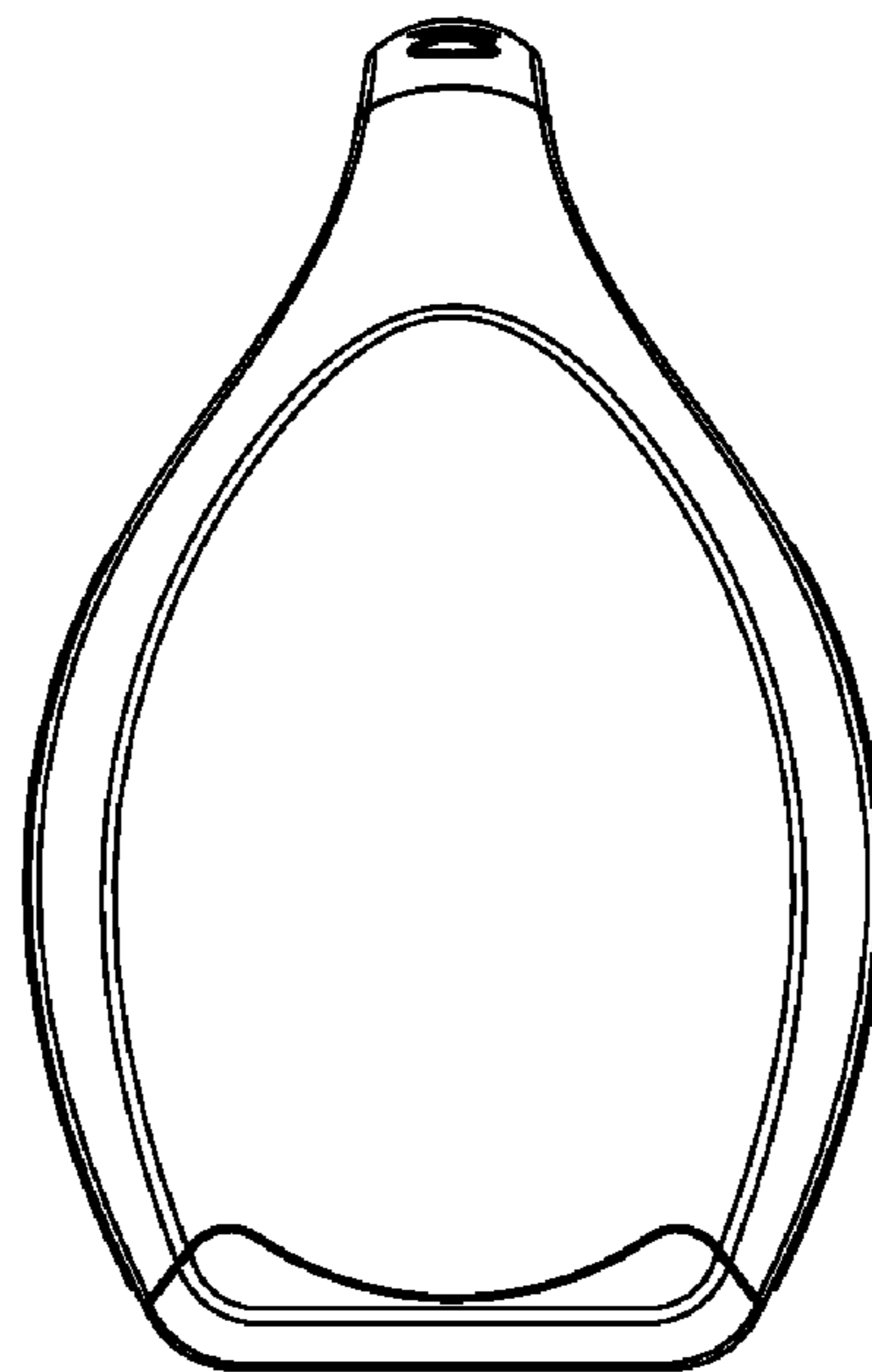




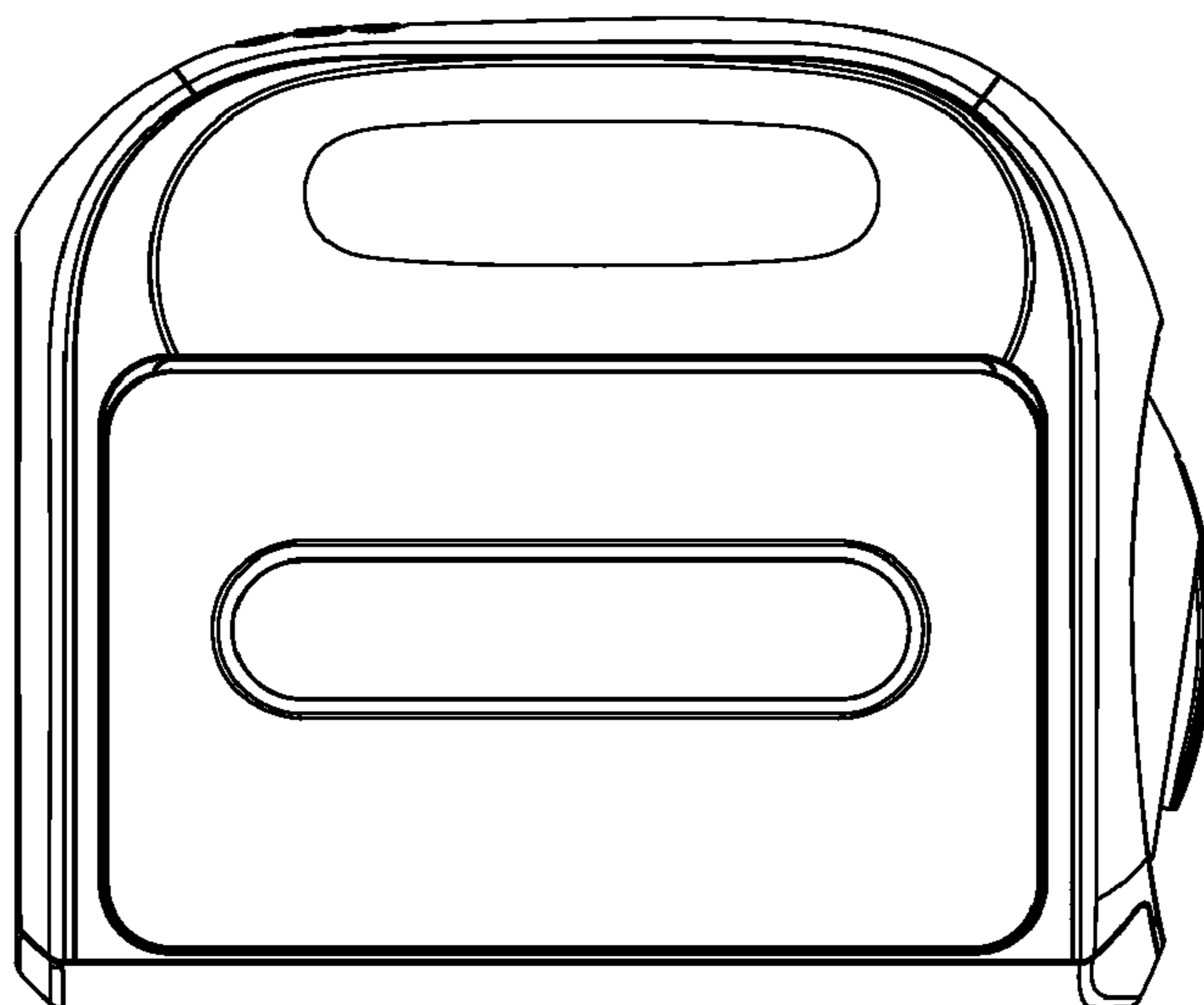
*FIG. 1*



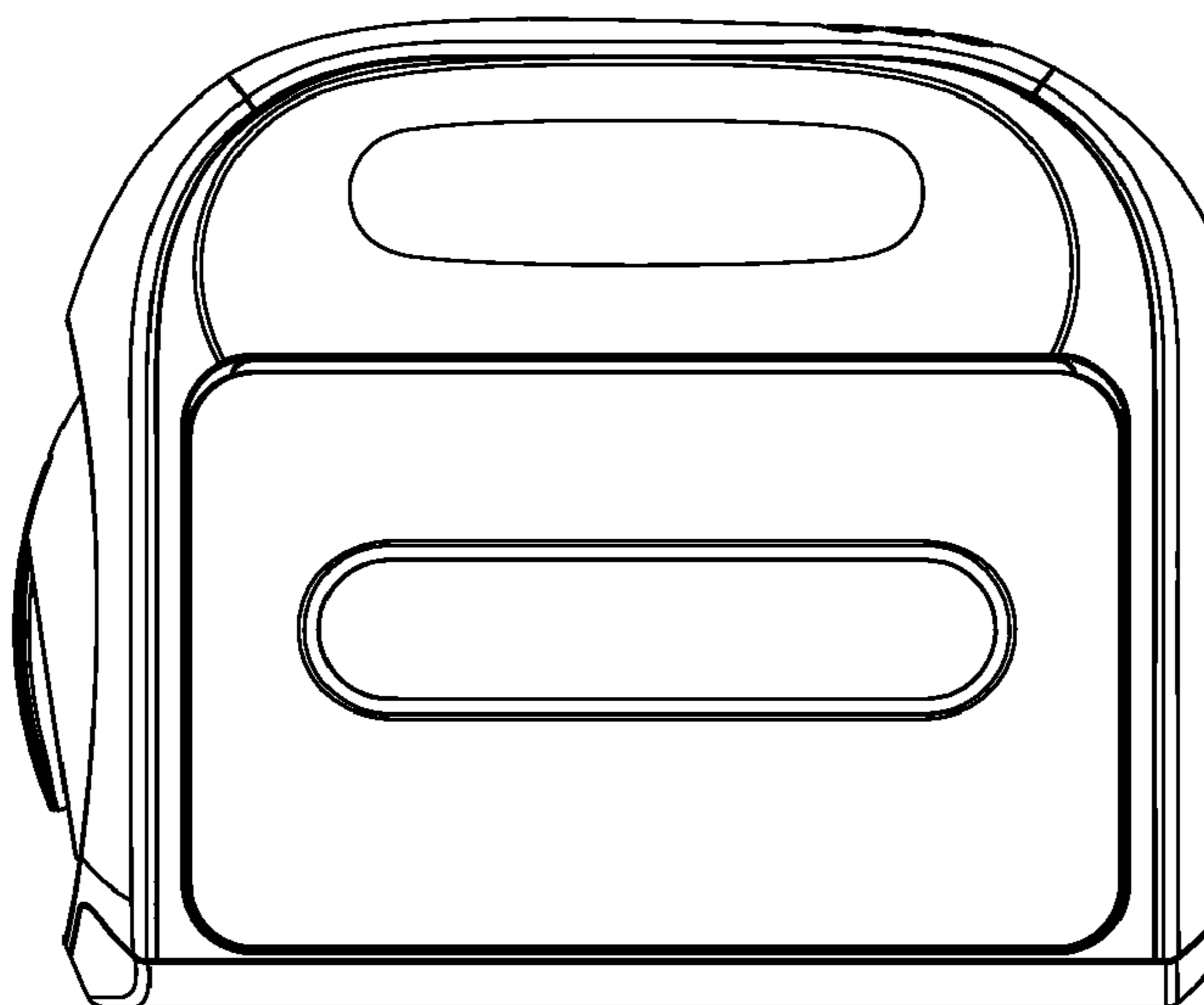
*FIG. 2*



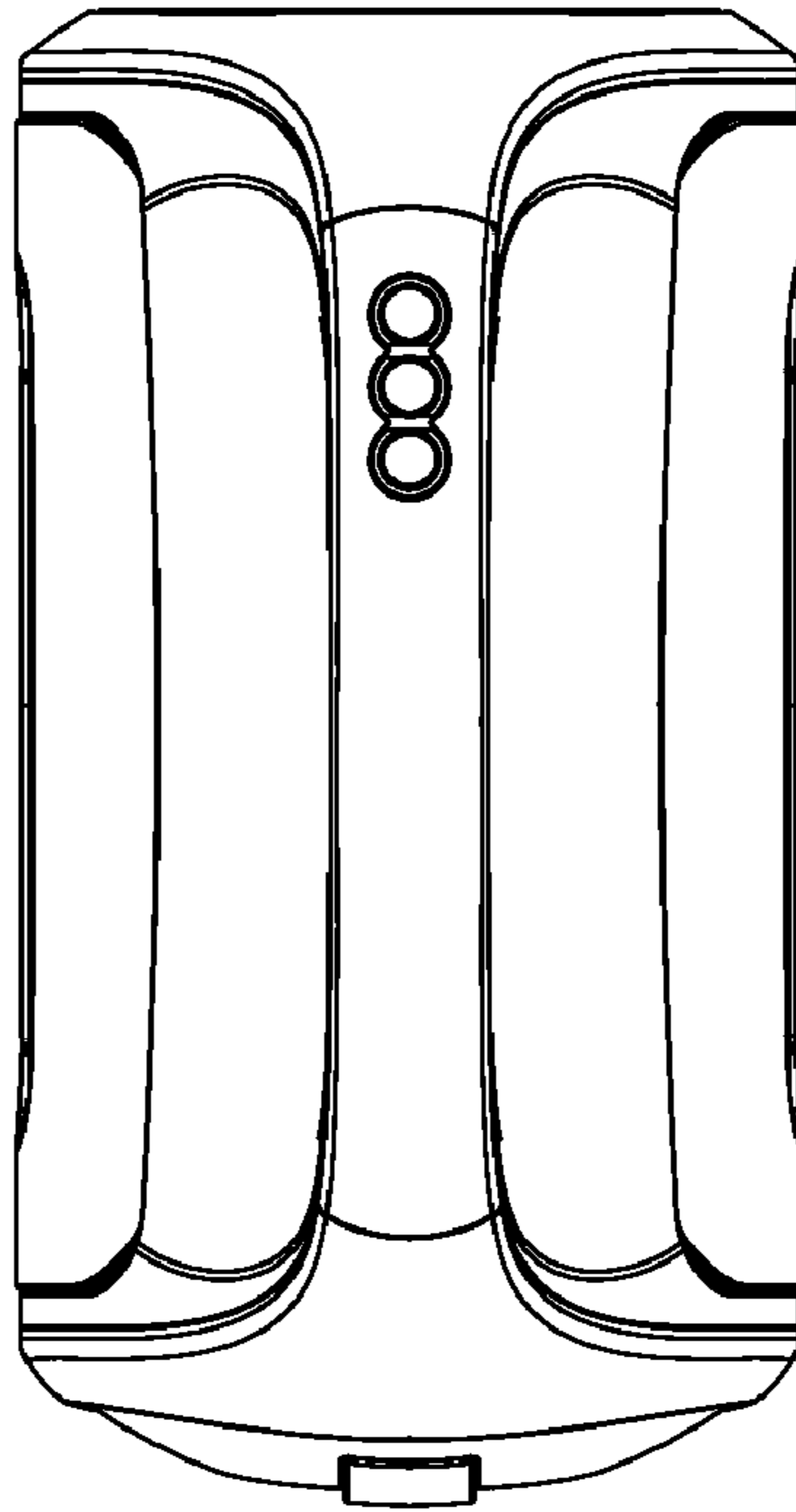
*FIG. 3*



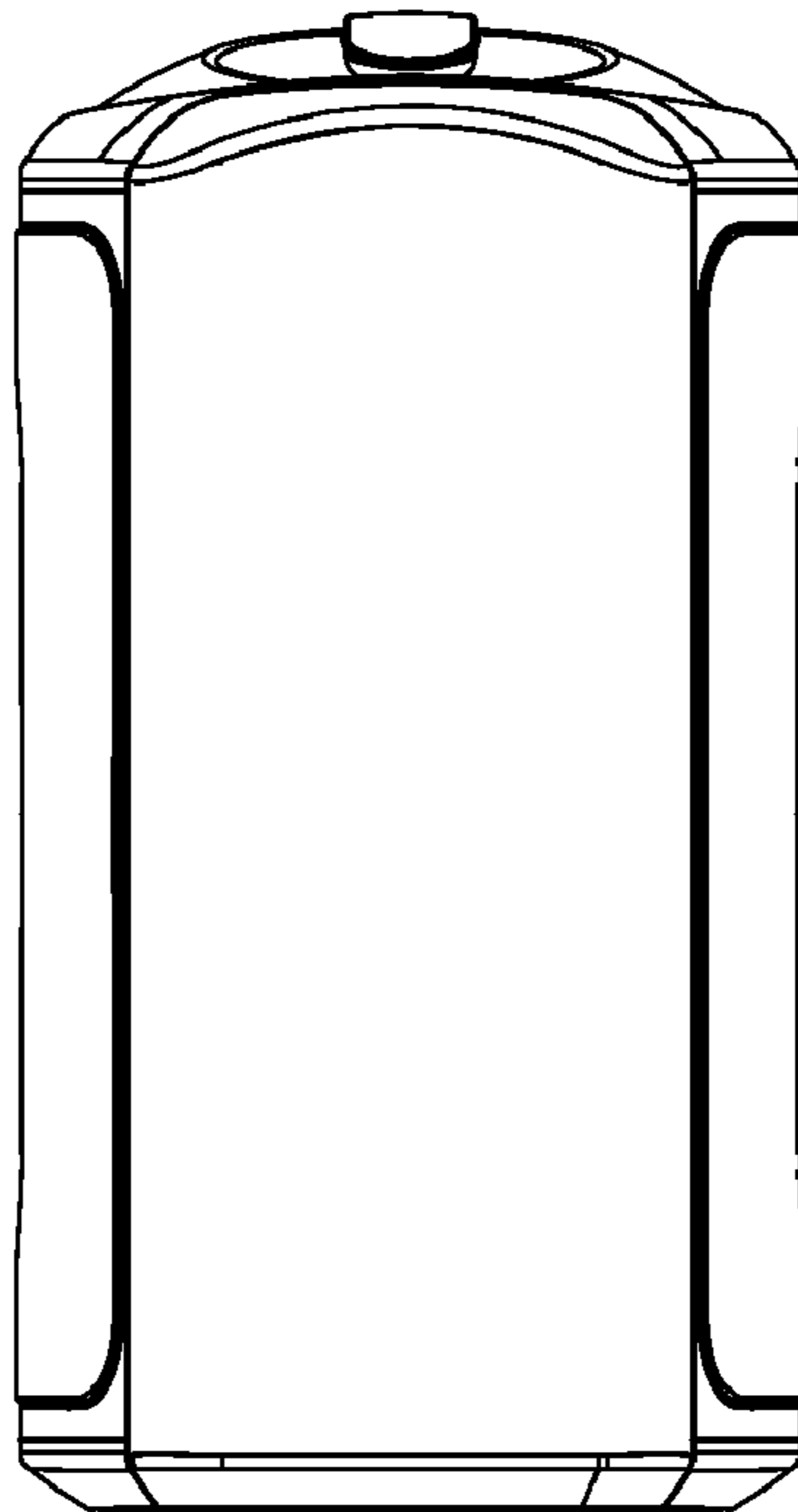
*FIG. 4*



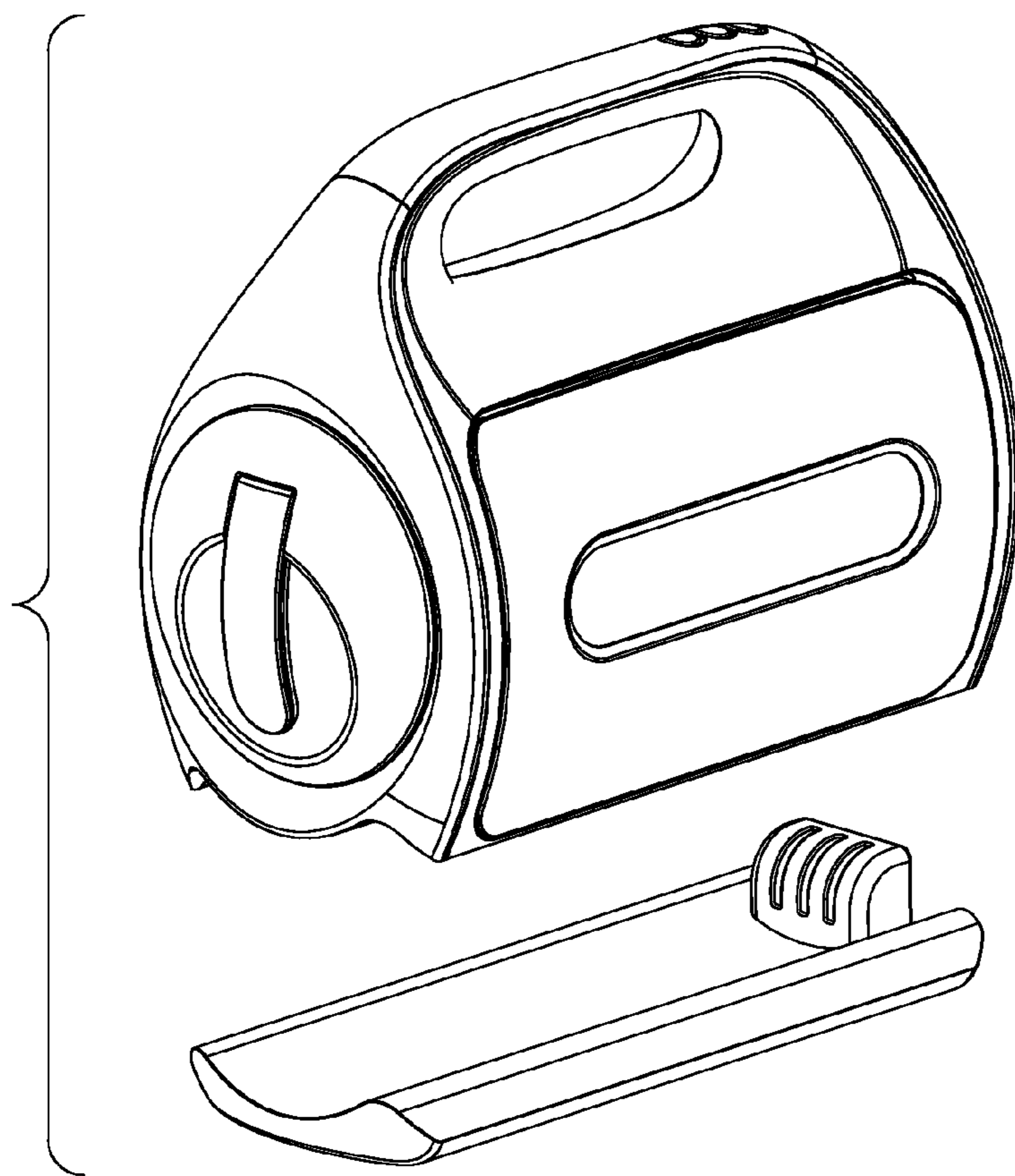
*FIG. 5*



*FIG. 6*



*FIG. 7*



*FIG. 8*