

US00D665617S

(12) **United States Design Patent**
Liu

(10) **Patent No.:** **US D665,617 S**
(45) **Date of Patent:** **** Aug. 21, 2012**

- (54) **JUG**
- (75) Inventor: **Yunxing Liu**, Qingdao (CN)
- (73) Assignee: **Yunxing Liu**, Diamond Bar, CA (US)
- (**) Term: **14 Years**
- (21) Appl. No.: **29/396,774**
- (22) Filed: **Jul. 7, 2011**
- (51) **LOC (9) Cl.** **07-01**
- (52) **U.S. Cl.** **D7/319; D7/317**
- (58) **Field of Classification Search** D7/600,
D7/598, 316-319; 222/475.1, 144.5
See application file for complete search history.

D302,925 S *	8/1989	Zimmermann	D7/317
D322,005 S *	12/1991	Cliff	D7/317
D322,006 S *	12/1991	Zimmermann	D7/317
D396,377 S *	7/1998	Tamura	D7/319
D428,757 S *	8/2000	Loffler et al.	D7/319
D451,750 S *	12/2001	Rissone et al.	D7/319
D453,279 S *	2/2002	Huang	D7/318
6,474,514 B1 *	11/2002	Guillemin et al.	222/475.1
D483,599 S *	12/2003	Huang	D7/319
D485,114 S *	1/2004	Schuler	D7/319
D498,970 S *	11/2004	Huang	D7/319
D547,997 S *	8/2007	Parcels	D7/319
D550,020 S *	9/2007	Pettaweebuncha	D7/317

* cited by examiner

Primary Examiner — Marianne Pandozzi

(57) **CLAIM**
The ornamental design for a jug, as shown and described.

(56) **References Cited**

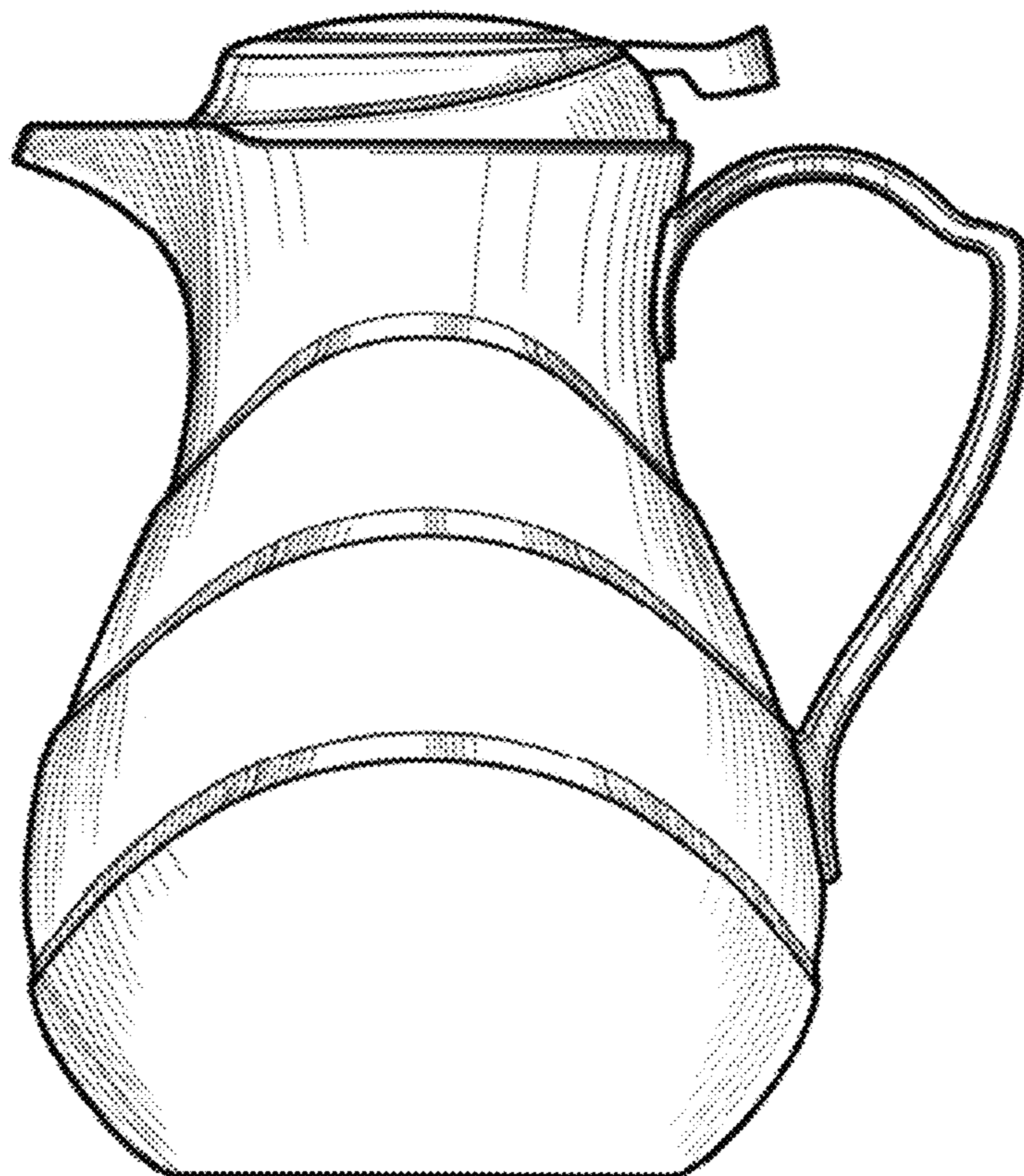
DESCRIPTION

U.S. PATENT DOCUMENTS

725,145 A *	4/1903	Rose	220/592.18
1,529,360 A *	3/1925	Johnson	222/108
1,724,689 A *	8/1929	Wilson	222/108
2,793,790 A *	5/1957	Kahler	222/109
D189,714 S *	2/1961	Ebstein	D7/300.1
D276,490 S *	11/1984	Zimmermann	D7/317
D286,254 S *	10/1986	Zimmerman	D7/317
D291,859 S *	9/1987	Zimmermann	D7/321
D299,105 S *	12/1988	Sun	D7/317

FIG. 1 is a side elevational view of a jug showing my new design, the side opposite is a mirror image thereof; FIG. 2 is a front, top, and side perspective view thereof; FIG. 3 is a front elevational view thereof; FIG. 4 is a rear elevational view thereof; FIG. 5 is a top plan view thereof; and, FIG. 6 is a bottom plan view thereof.

1 Claim, 5 Drawing Sheets



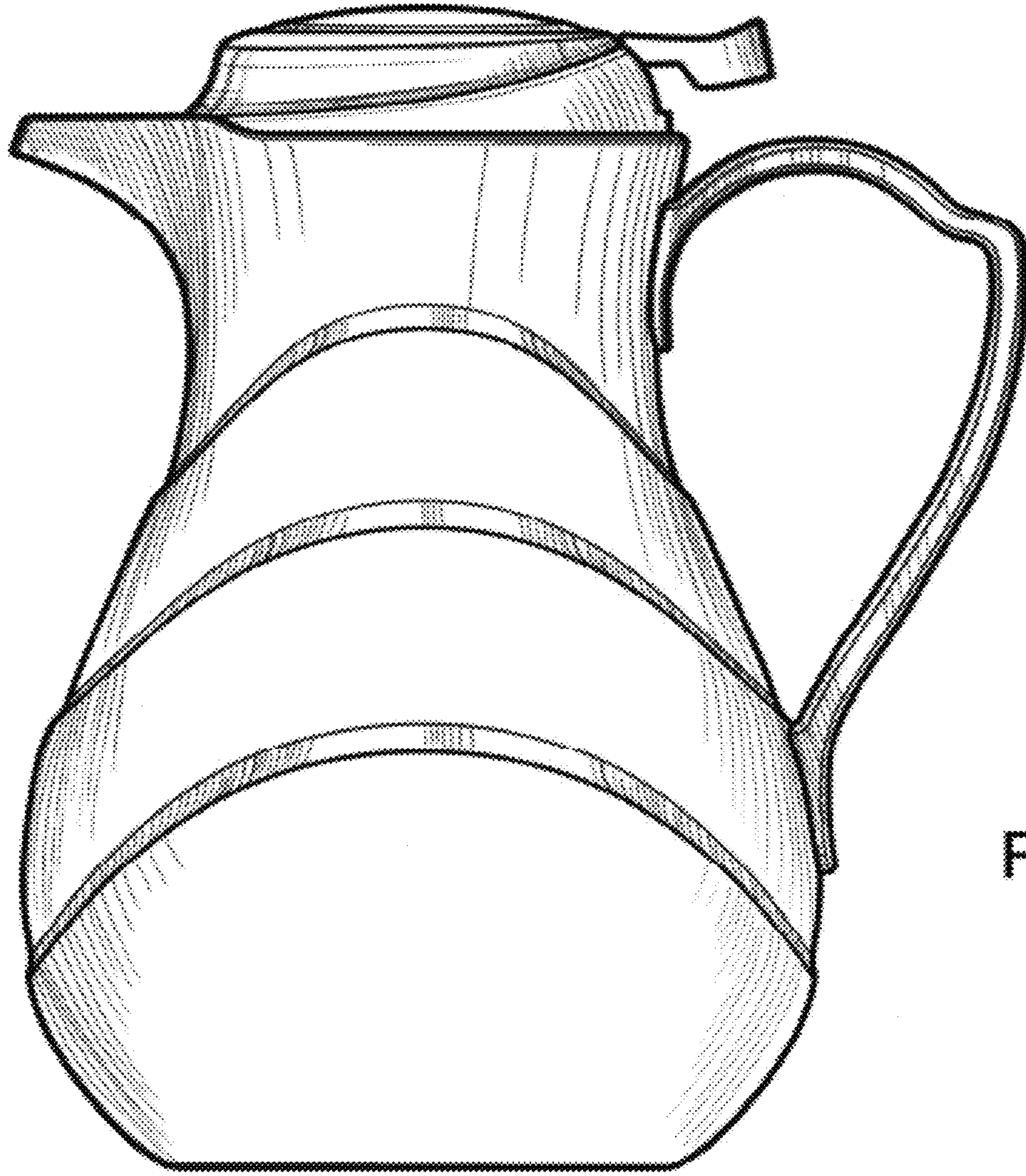


Fig. 1



Fig.2

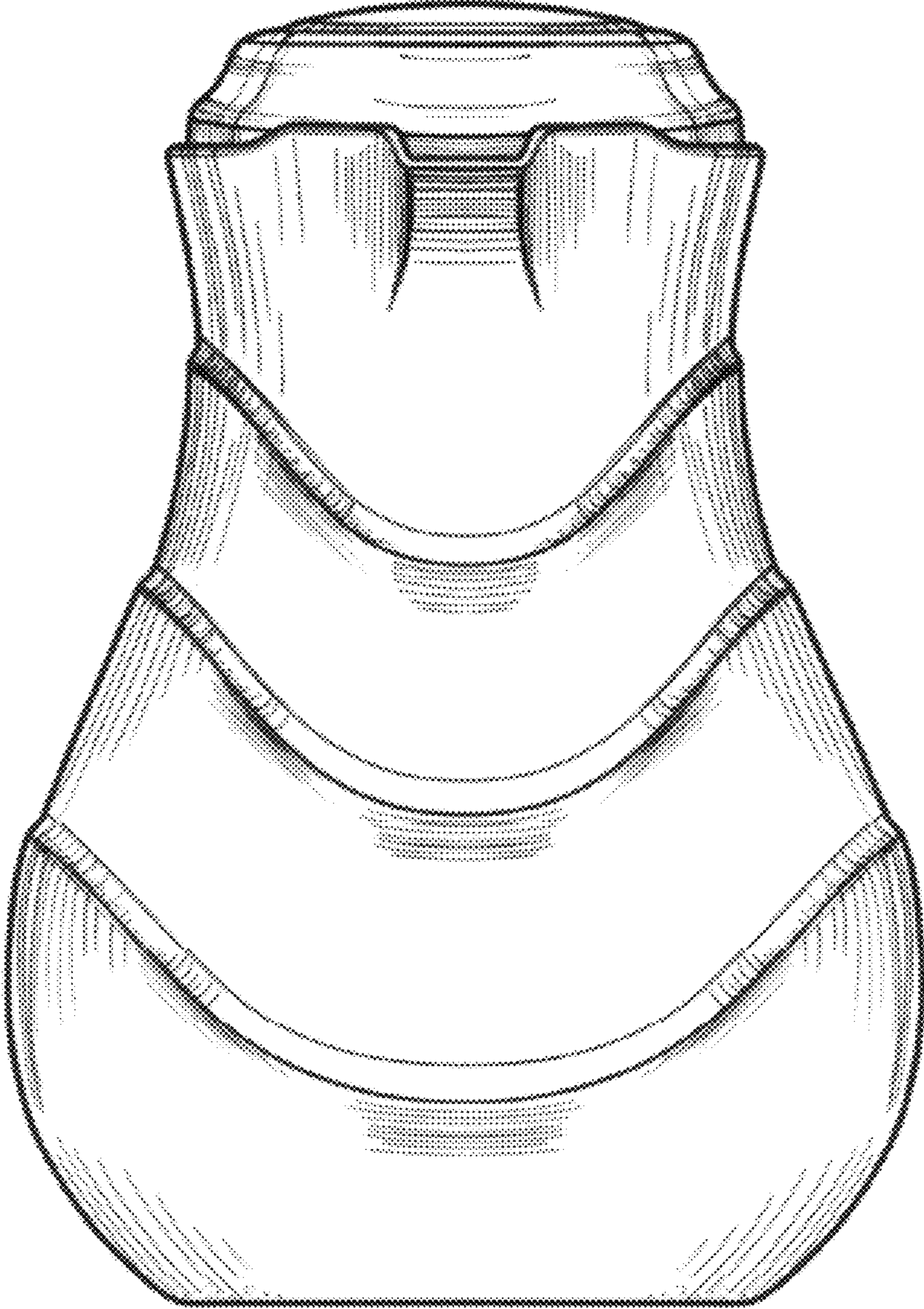


Fig.3

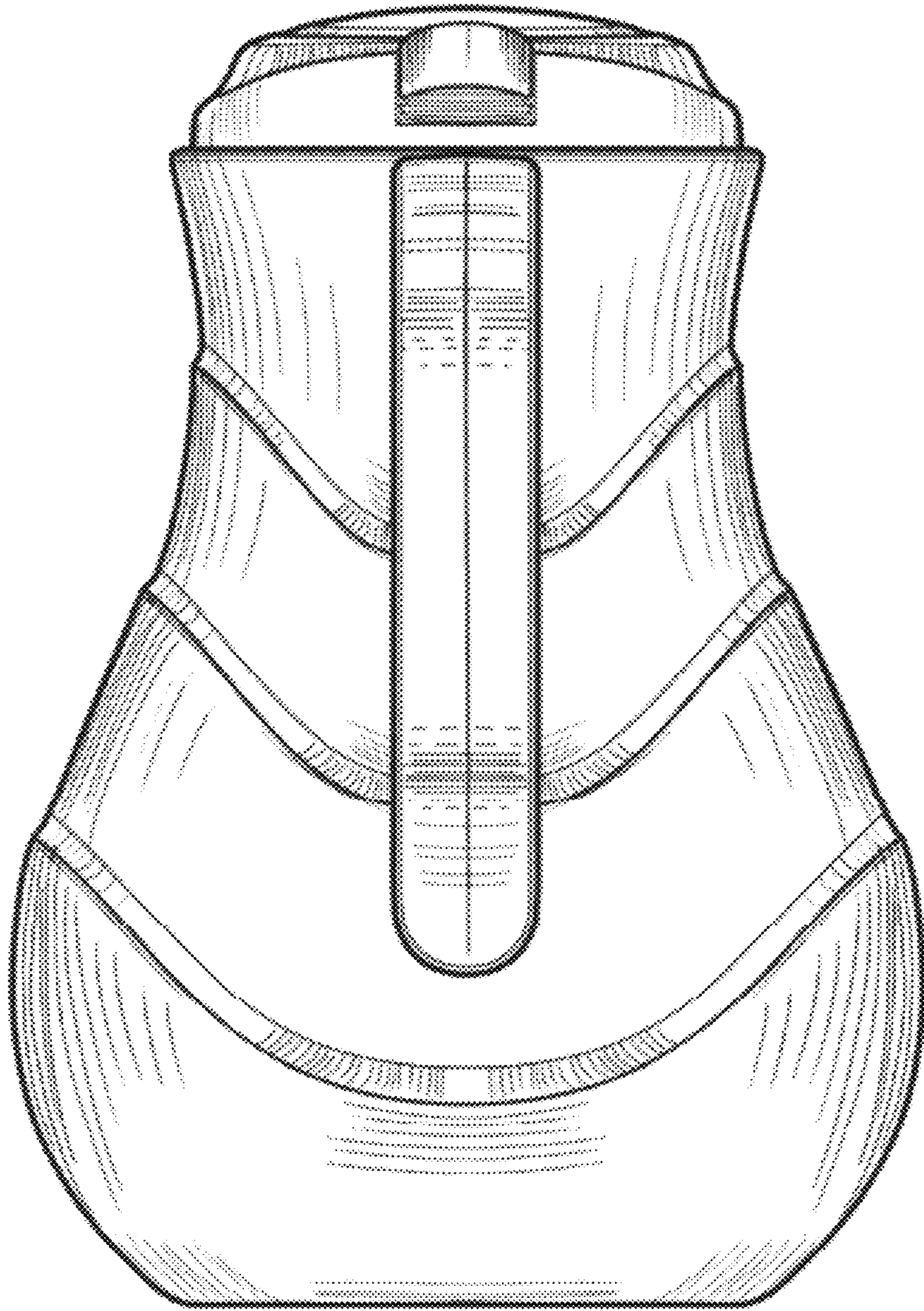


Fig.4

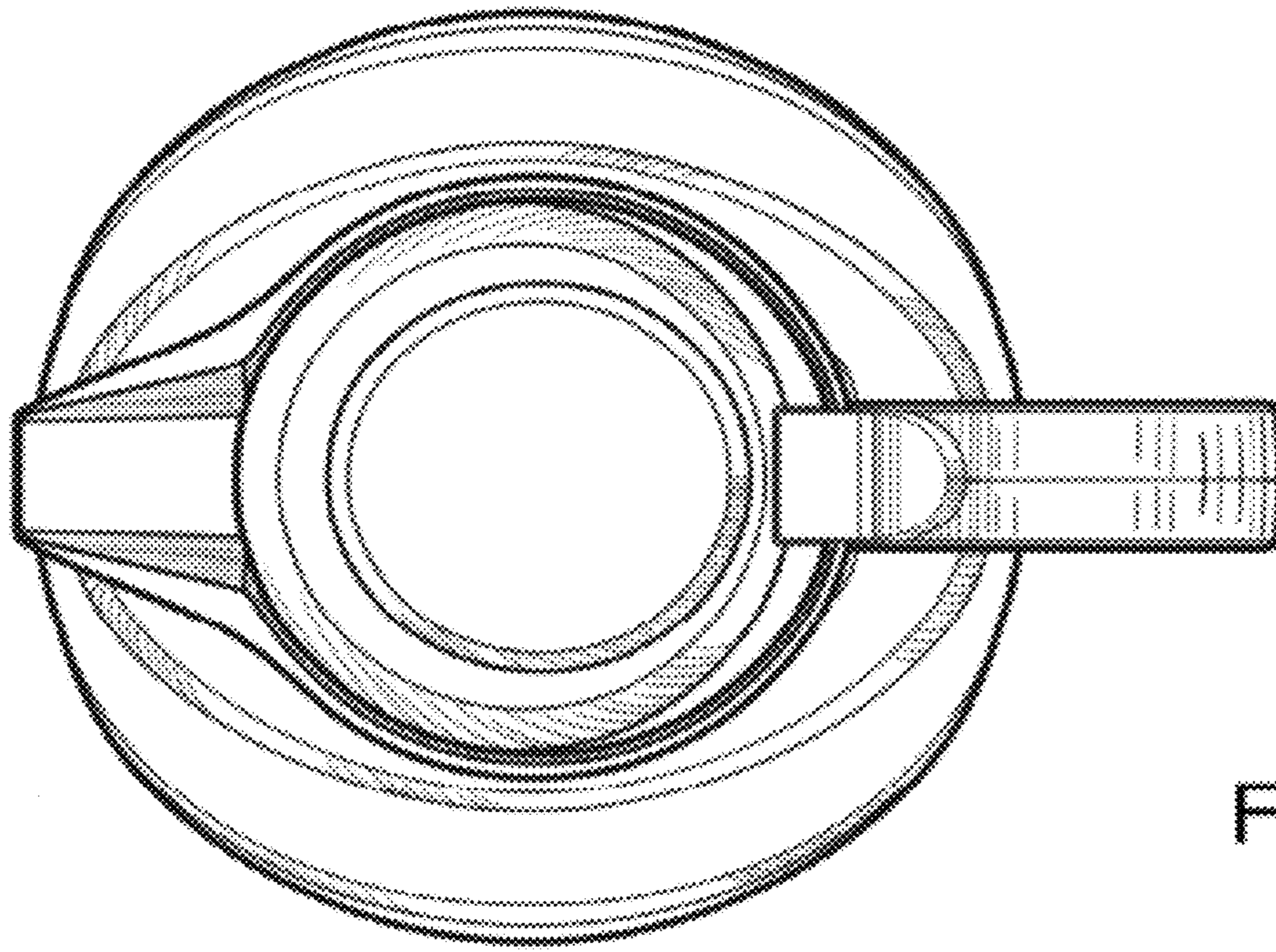


Fig.5

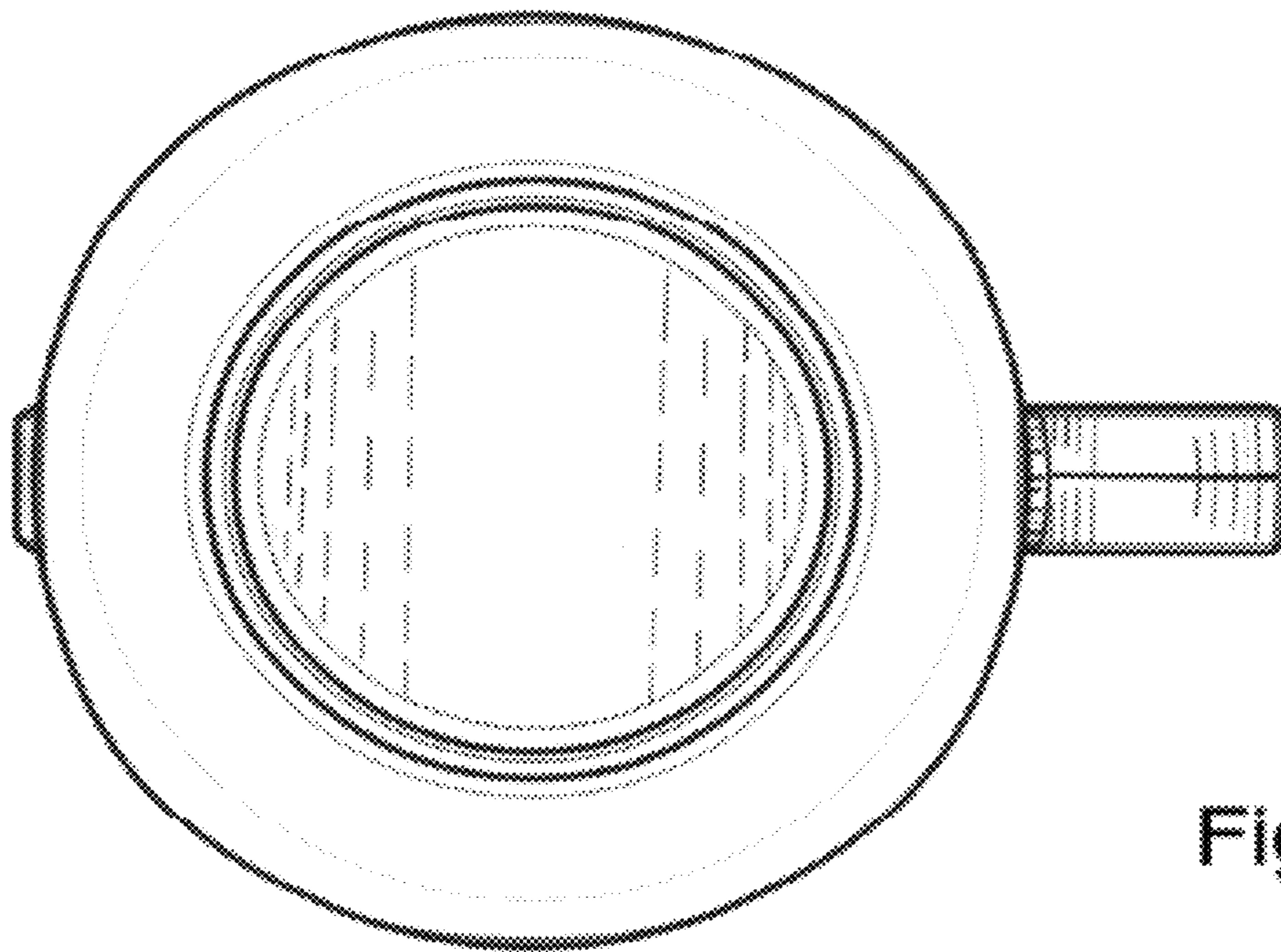


Fig.6