

US00D665616S

(12) **United States Design Patent**
Pittman

(10) **Patent No.:** **US D665,616 S**

(45) **Date of Patent:** **** Aug. 21, 2012**

(54) **GYM BENCH TOWEL**

(76) Inventor: **Wintrell Pittman**, Memphis, TN (US)

(**) Term: **14 Years**

(21) Appl. No.: **29/372,512**

(22) Filed: **Dec. 1, 2010**

(51) **LOC (9) Cl.** **06-09**

(52) **U.S. Cl.** **D6/608; D6/595**

(58) **Field of Classification Search** D6/595,
D6/596, 601, 608, 611; 5/630, 636-638,
5/640, 652, 653, 655, 655.9, 656, 657, 417,
5/420; 297/219.1, 229, 219.12, 256.17

See application file for complete search history.

(56) **References Cited**

U.S. PATENT DOCUMENTS

| | | | | | |
|-----------|------|---------|---------------|-------|------------|
| 3,916,447 | A * | 11/1975 | Thompson | | 2/46 |
| 5,586,351 | A * | 12/1996 | Ive | | 5/655 |
| D393,172 | S * | 4/1998 | Brady | | D6/601 |
| 5,988,744 | A * | 11/1999 | Franchak | | 297/256.17 |
| 6,224,152 | B1 * | 5/2001 | Hughes et al. | | 297/256.17 |
| 6,532,611 | B1 * | 3/2003 | Day | | 5/636 |
| D484,350 | S * | 12/2003 | Miller | | D6/601 |

* cited by examiner

Primary Examiner — Janice Seeger

(74) *Attorney, Agent, or Firm* — Carrithers Law Office PLLC; David W. Carrithers

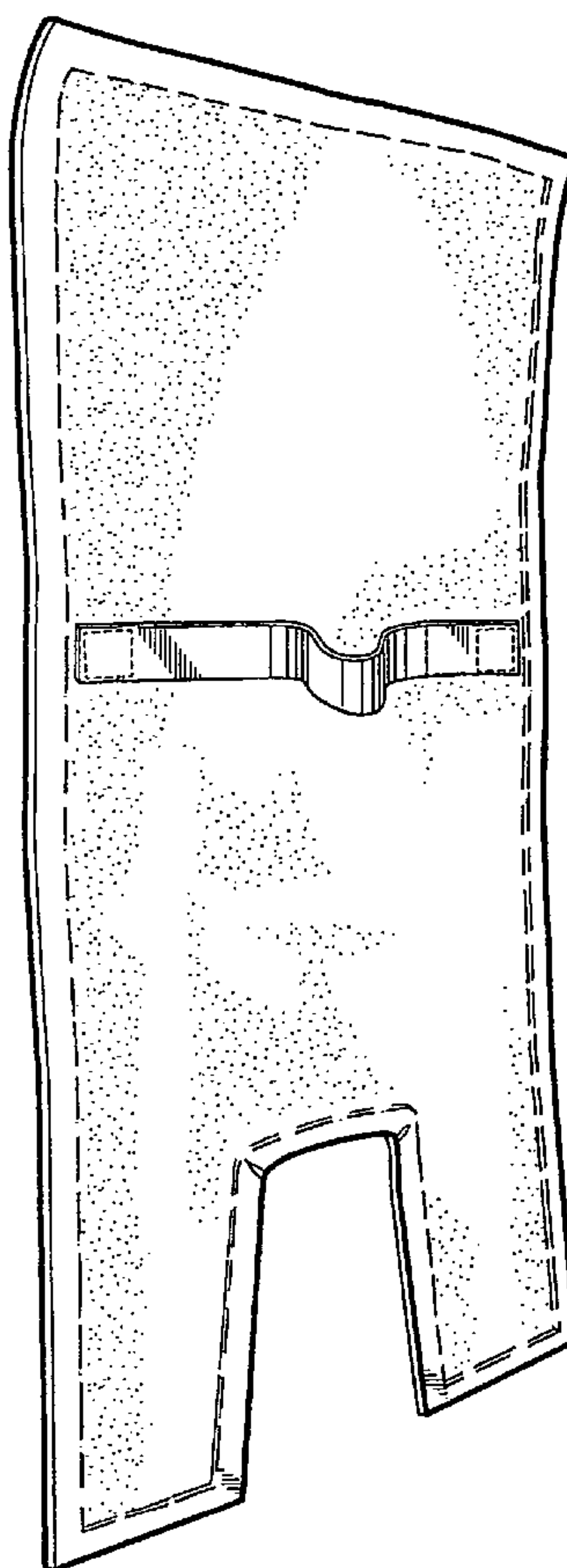
(57) **CLAIM**

The ornamental design for a gym bench towel, as shown and described.

DESCRIPTION

FIG. 1 is a perspective view of the gym bench towel showing my new design;
 FIG. 2 is a left side view thereof;
 FIG. 3 is a right side view thereof;
 FIG. 4 is a bottom view thereof;
 FIG. 5 is a top view thereof;
 FIG. 6 is a front end view thereof;
 FIG. 7 is a rear end view thereof;
 FIG. 8 is a perspective front view showing the gym bench towel positioned on the front surface of a bench seat back shown in phantom lines; and,
 FIG. 9 is a perspective rear view of the gym bench towel of FIG. 8 positioned on the rear surface of a bench seat back shown in phantom lines.
 The broken lines illustration of unclaimed portions of the gym bench forms no part of the claimed design.

1 Claim, 3 Drawing Sheets



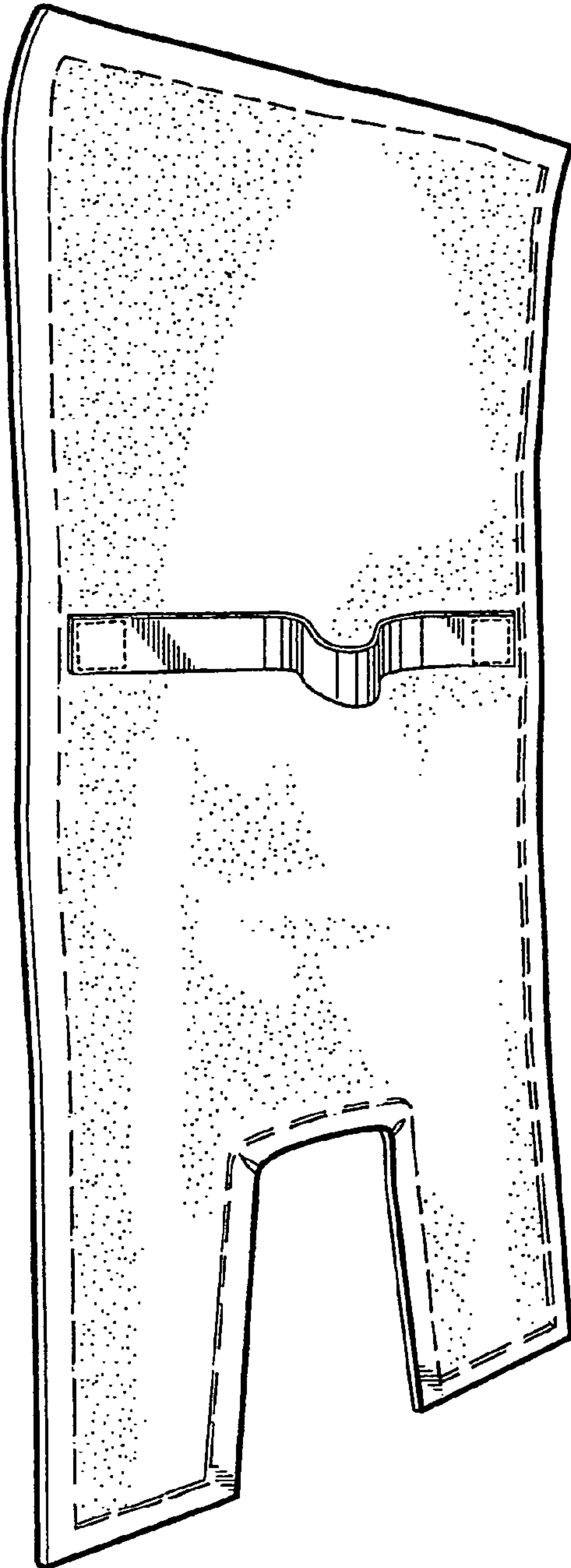


FIG. 1



FIG. 2

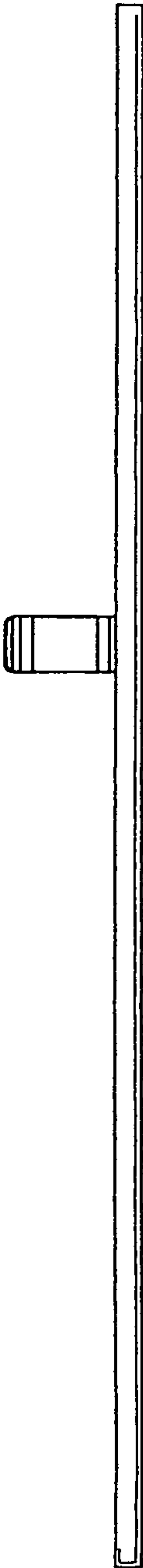


FIG. 3

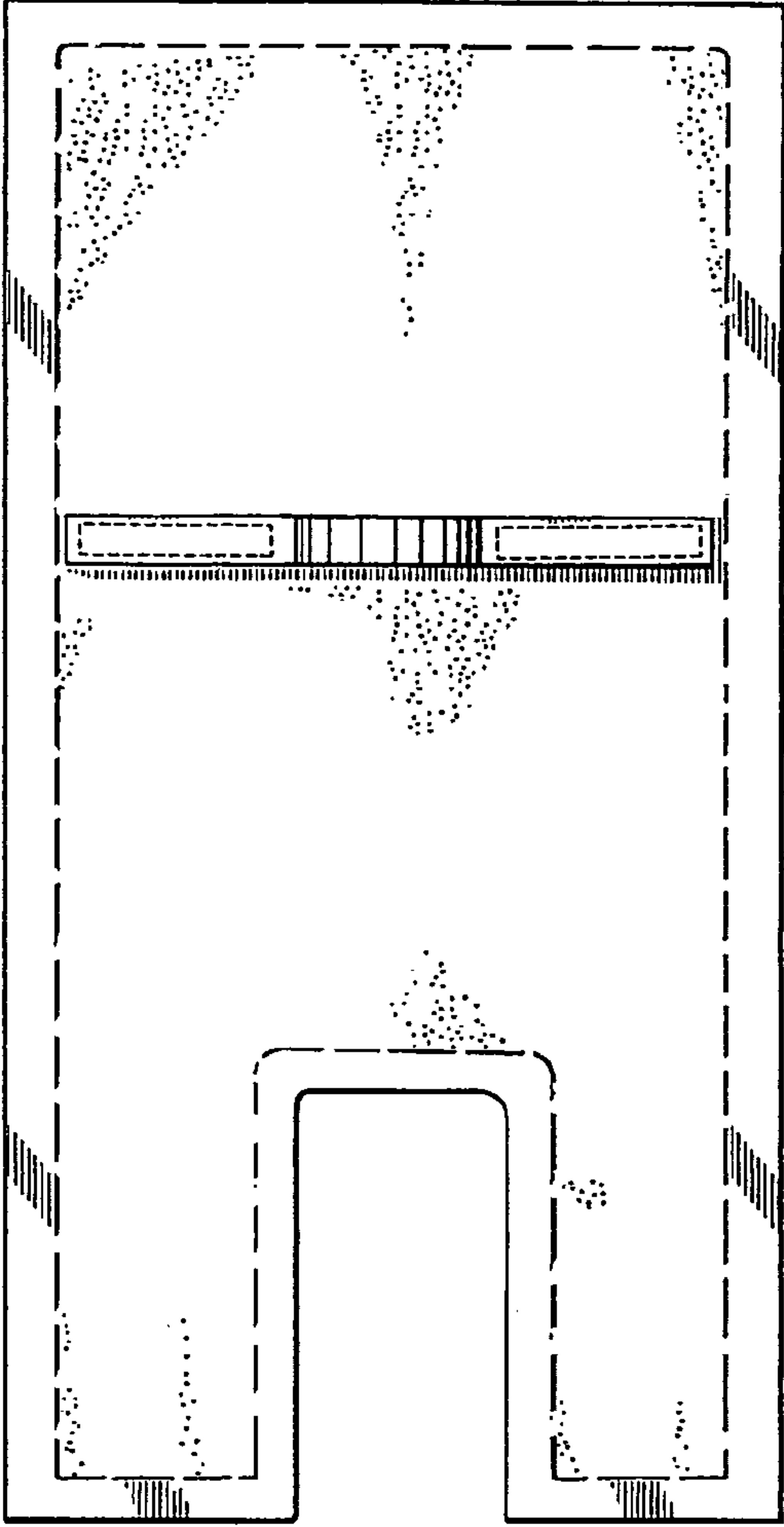


FIG. 4

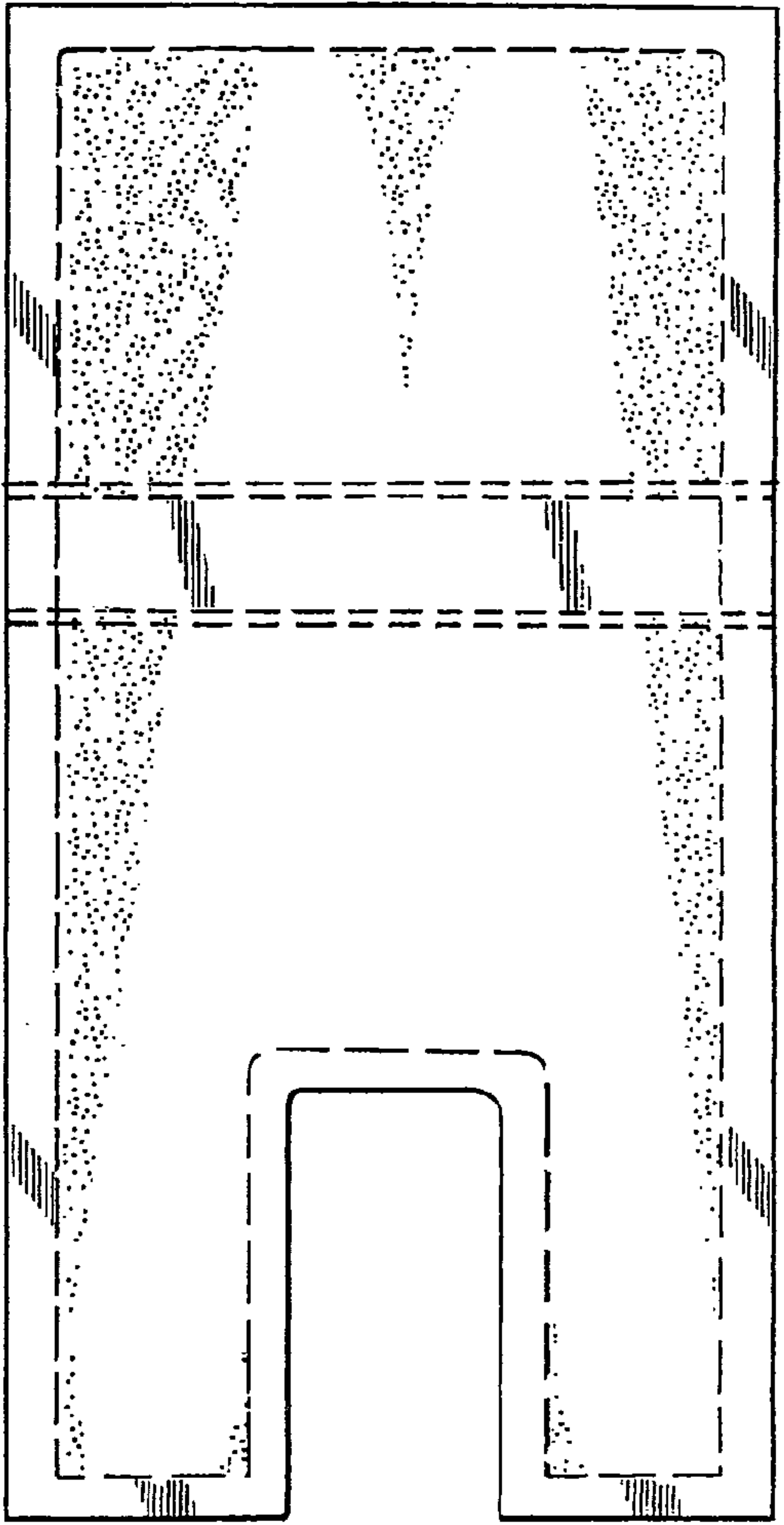


FIG. 5



FIG. 6



FIG. 7

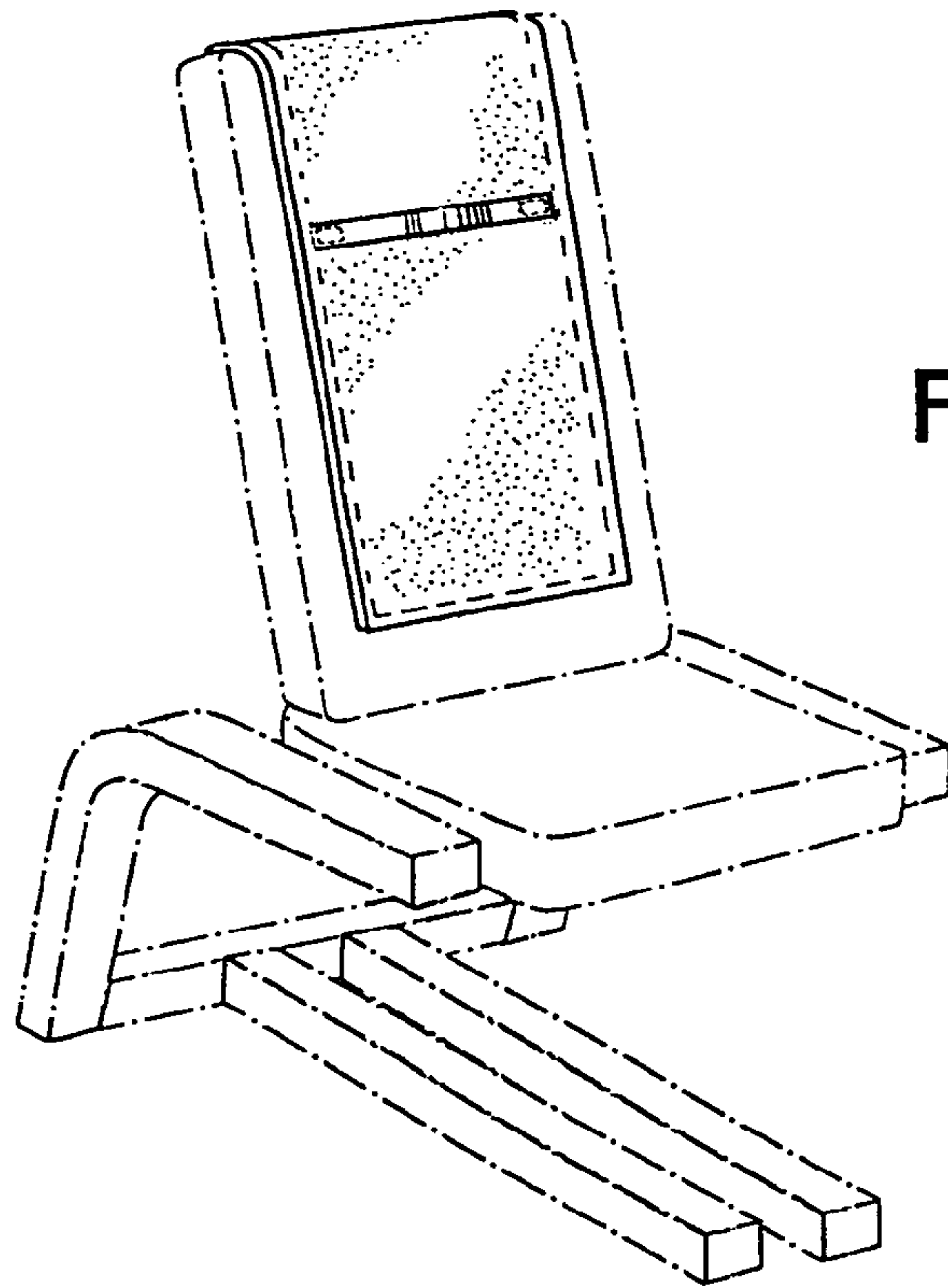


FIG. 8

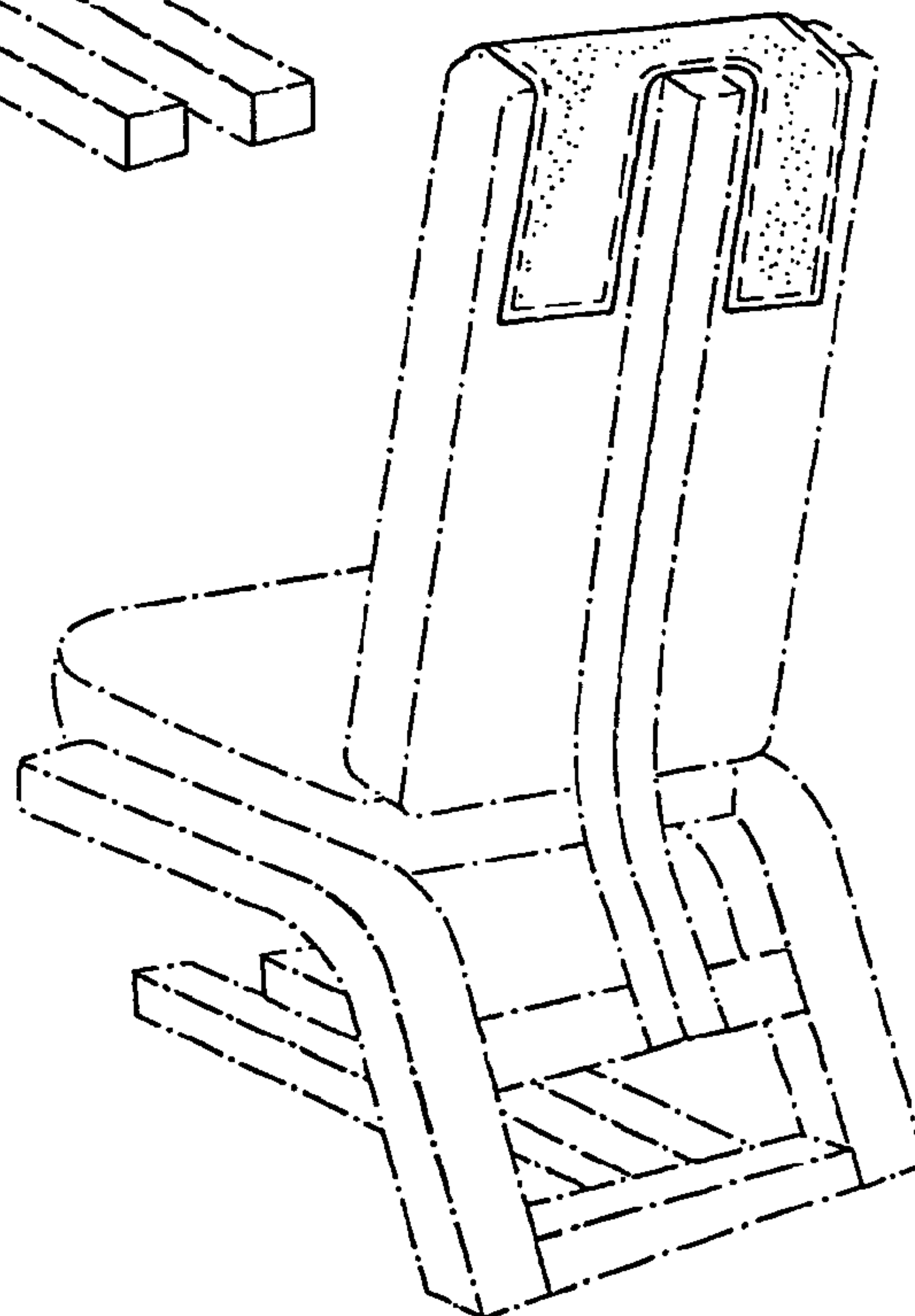


FIG. 9