



US00D665611S

(12) **United States Design Patent**
Blakley

(10) **Patent No.:** **US D665,611 S**

(45) **Date of Patent:** **** Aug. 21, 2012**

(54) **WALL SHELF WITH INTEGRATED GRAB BAR**

(75) Inventor: **Scott Blakley**, Strongsville, OH (US)

(73) Assignee: **Lifetime Products Inc.**, Clearfield, UT (US)

(**) Term: **14 Years**

(21) Appl. No.: **29/392,018**

(22) Filed: **May 16, 2011**

(51) **LOC (9) Cl.** **06-04**

(52) **U.S. Cl.** **D6/574; D23/304**

(58) **Field of Classification Search** D6/515,
D6/553, 564, 569, 570, 574, 629, 462, 468,
D6/567; 108/28-29; 211/11, 13.1, 42, 71.01,
211/86.01, 88.01, 88.03, 90.01, 126.1, 133.5,
211/134, 153, 182; 248/235, 309.1; D23/283,
D23/280.2, 303, 304; 4/571.1, 573.1
See application file for complete search history.

(56) **References Cited**

U.S. PATENT DOCUMENTS

D358,733 S * 5/1995 Paul D6/574
6,305,558 B1 * 10/2001 Bates 211/105.1
D450,514 S * 11/2001 Gottwald D6/574

D477,489 S * 7/2003 Hoernig D6/574
D477,742 S * 7/2003 Hoernig D6/574
D509,088 S * 9/2005 Hoernig D6/574
D559,602 S * 1/2008 Bickler et al. D6/574
D570,146 S * 6/2008 Bickler et al. D6/574
D577,239 S * 9/2008 Krumpe et al. D6/574

* cited by examiner

Primary Examiner — Brian N Vinson

(74) *Attorney, Agent, or Firm* — Kunzler Law Group, PC

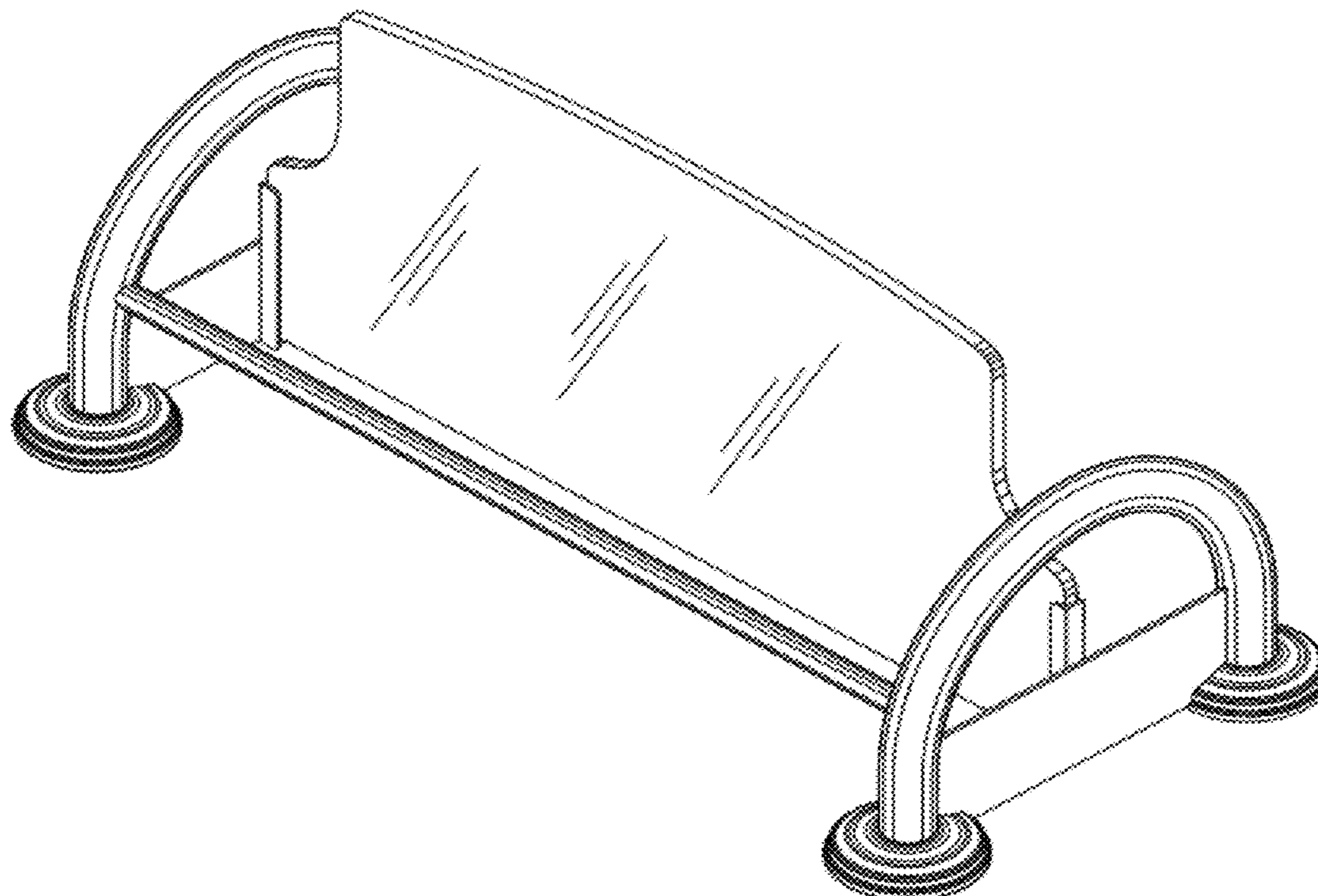
(57) **CLAIM**

The ornamental design for a wall shelf with integrated grab bar, as shown and described.

DESCRIPTION

FIG. 1 is a bottom, front, and right side perspective view of a wall shelf with integrated grab bar showing my new design; FIG. 2 is a top, rear, and right side perspective view thereof; FIG. 3 is an enlarged front elevational view thereof; FIG. 4 is an enlarged rear elevational view thereof; FIG. 5 is an enlarged left side elevational view thereof; FIG. 6 is an enlarged right side elevational view thereof; FIG. 7 is an enlarged top plan view thereof; and, FIG. 8 is an enlarged bottom plan view thereof.

1 Claim, 8 Drawing Sheets



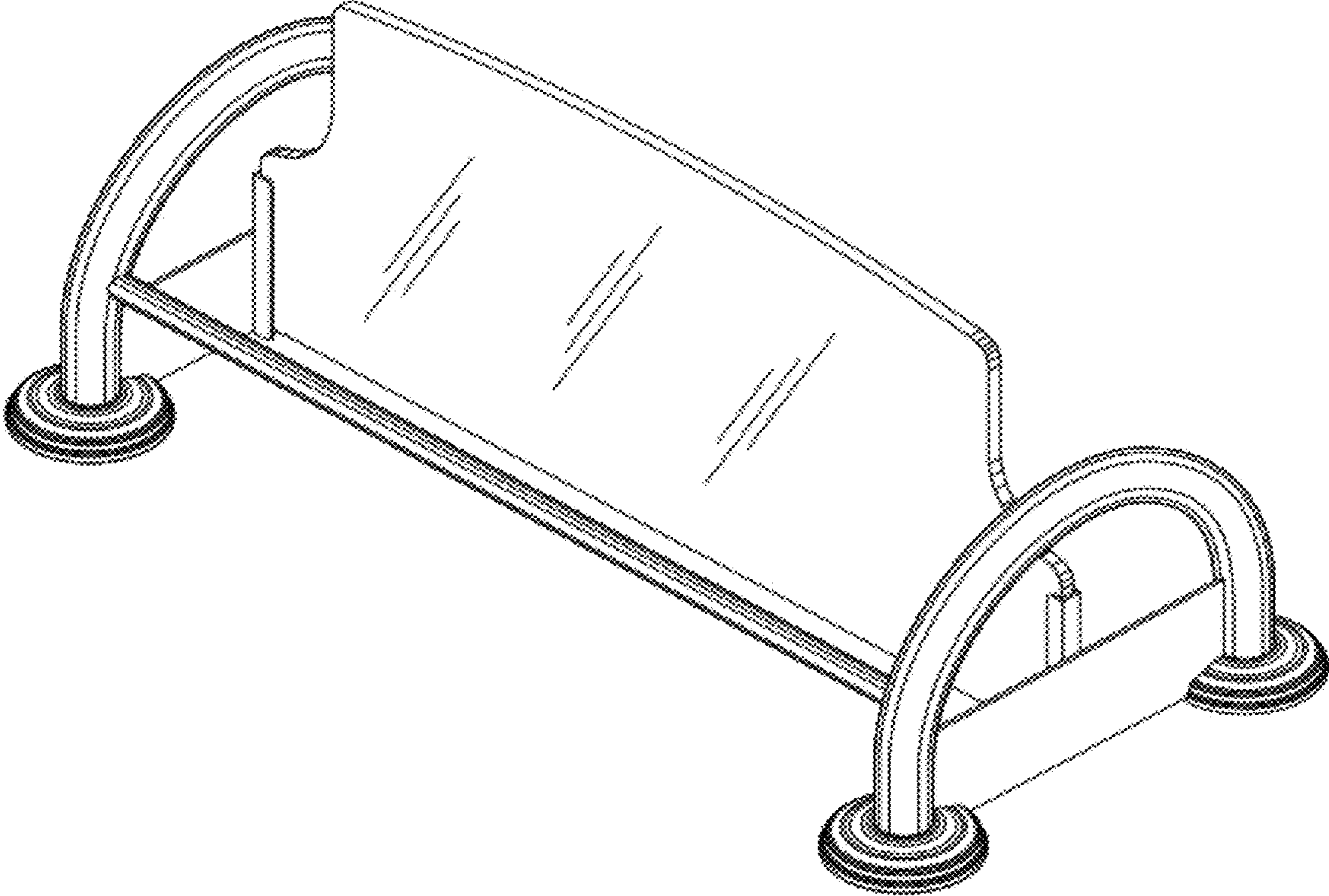


FIG. 1

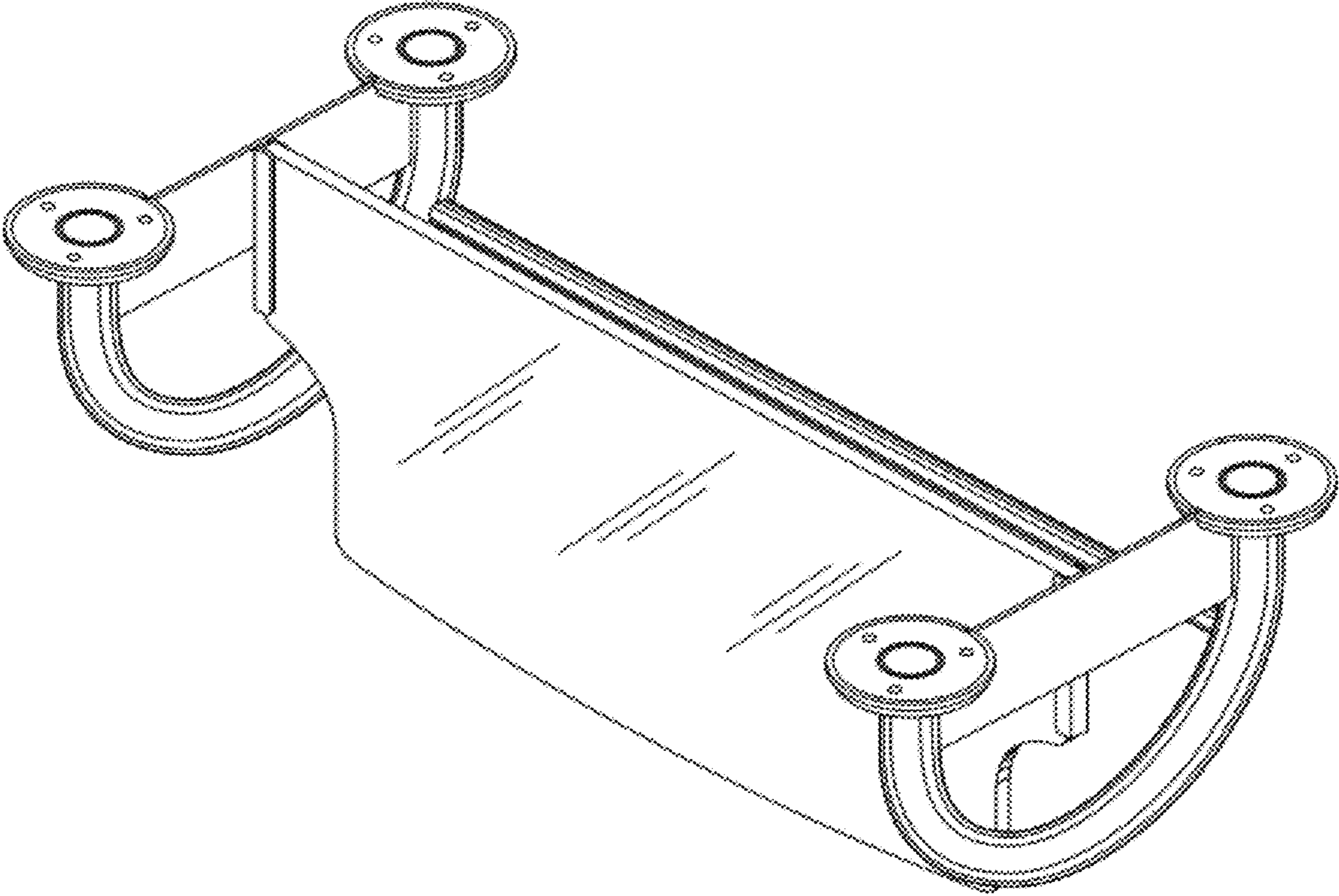


FIG. 2

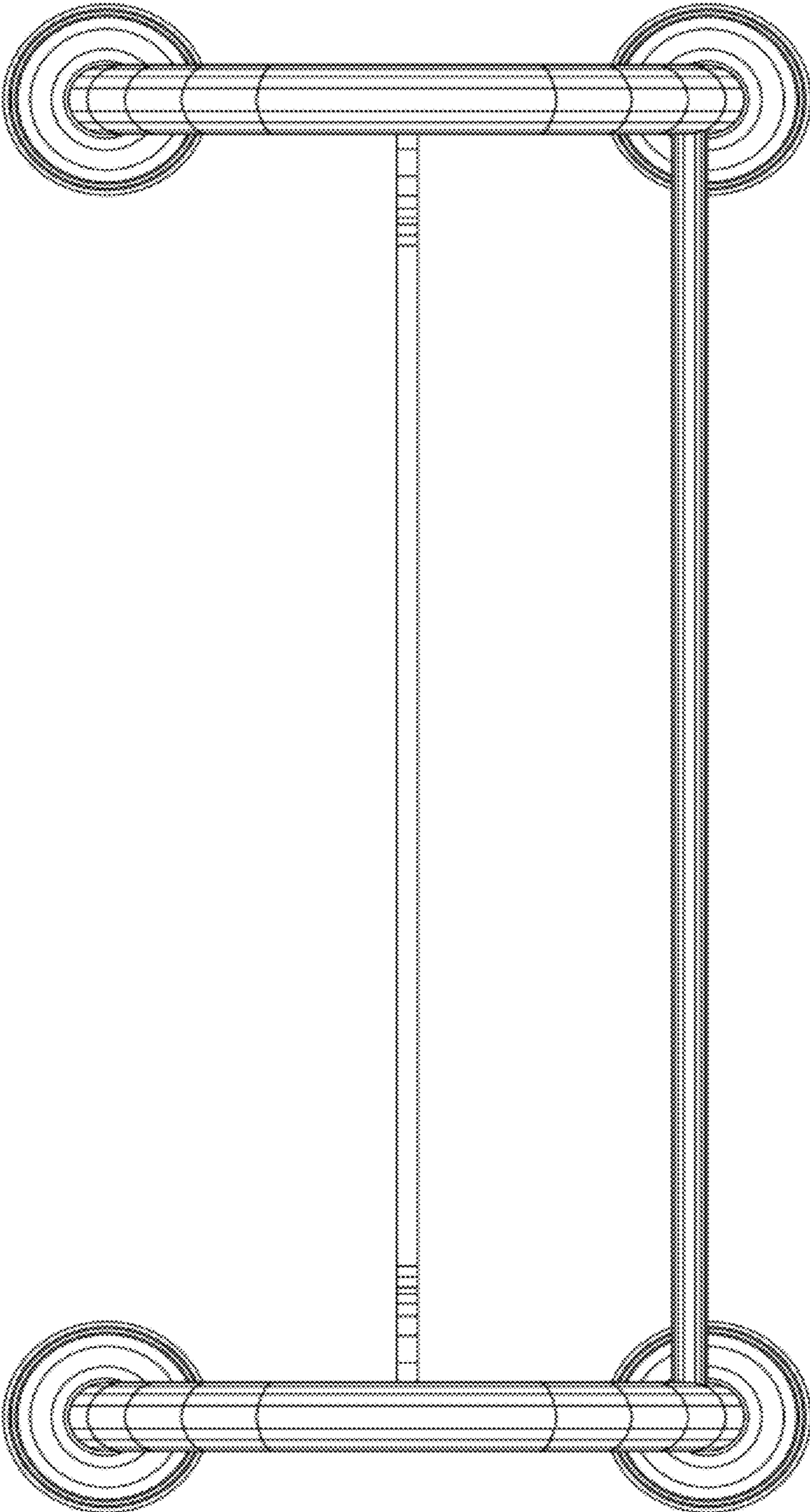


FIG. 3

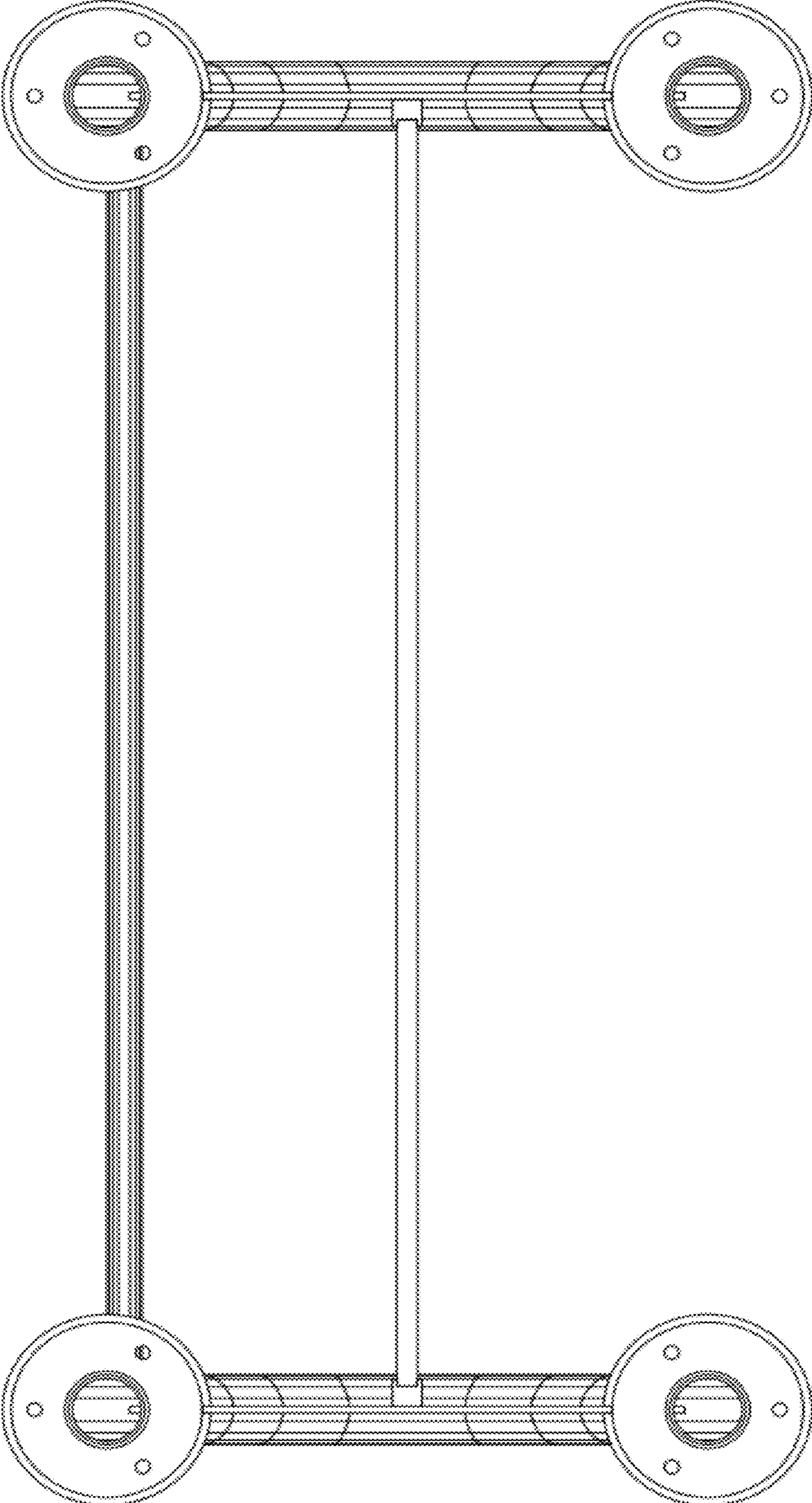


FIG. 4

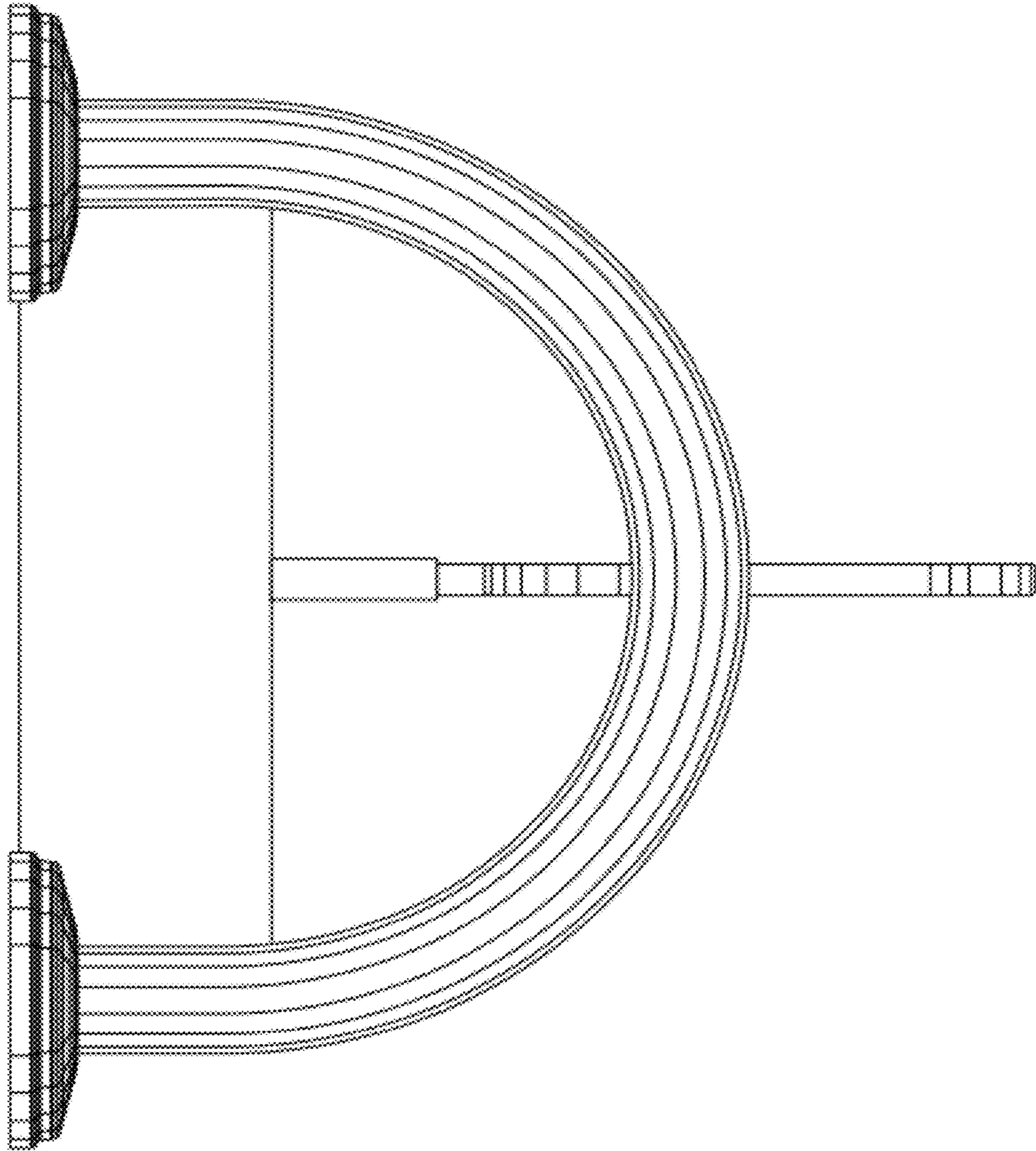


FIG. 5

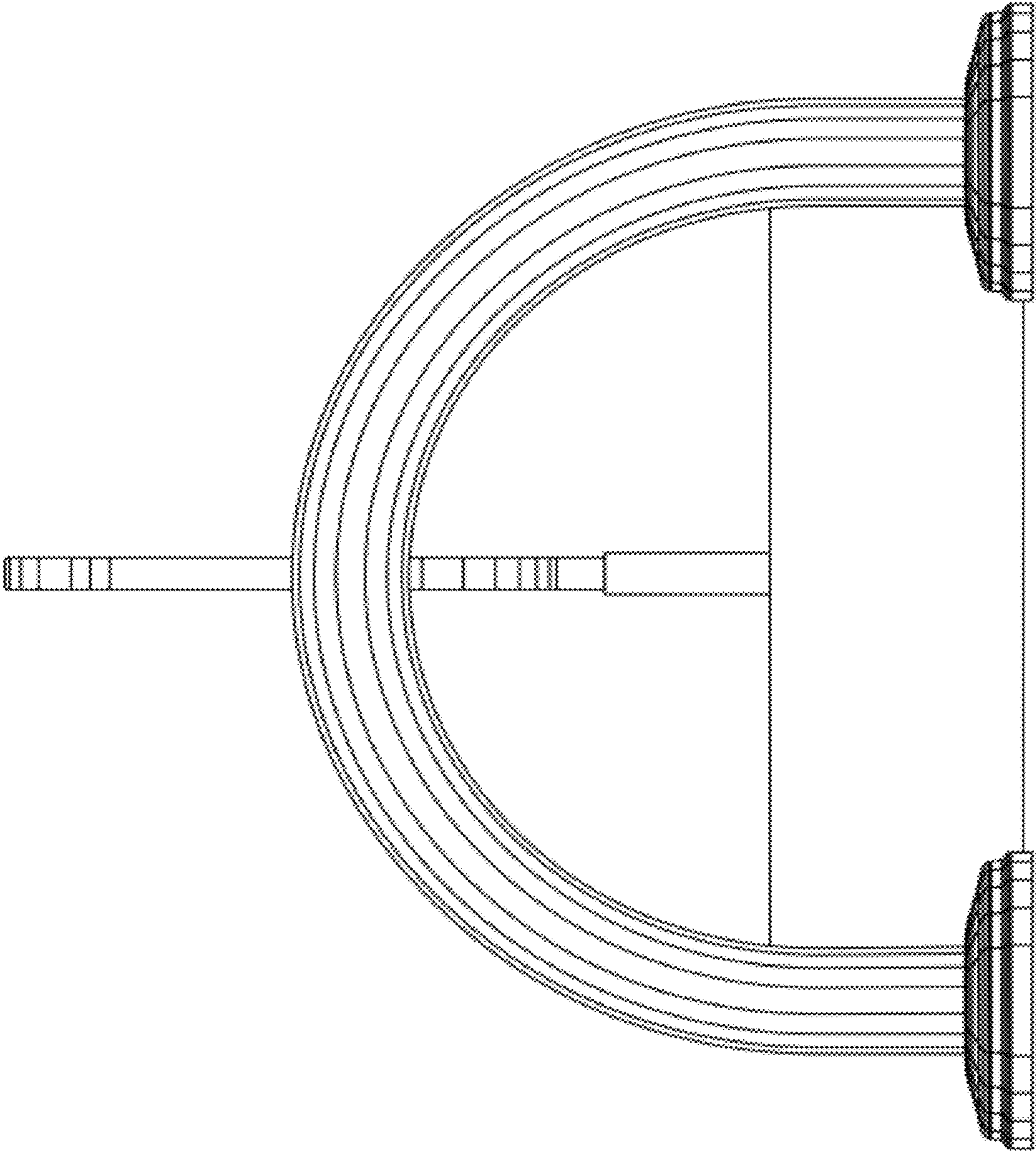


FIG. 6

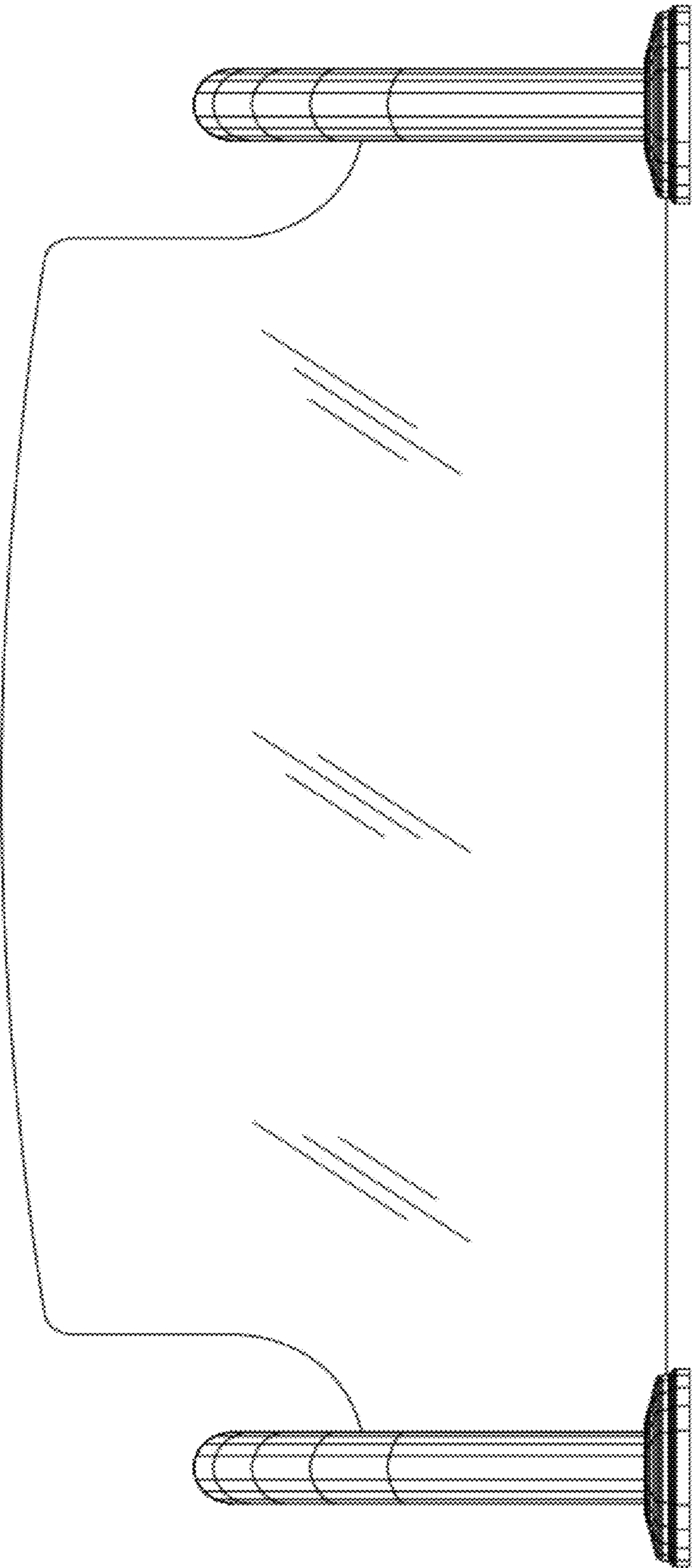


FIG. 7

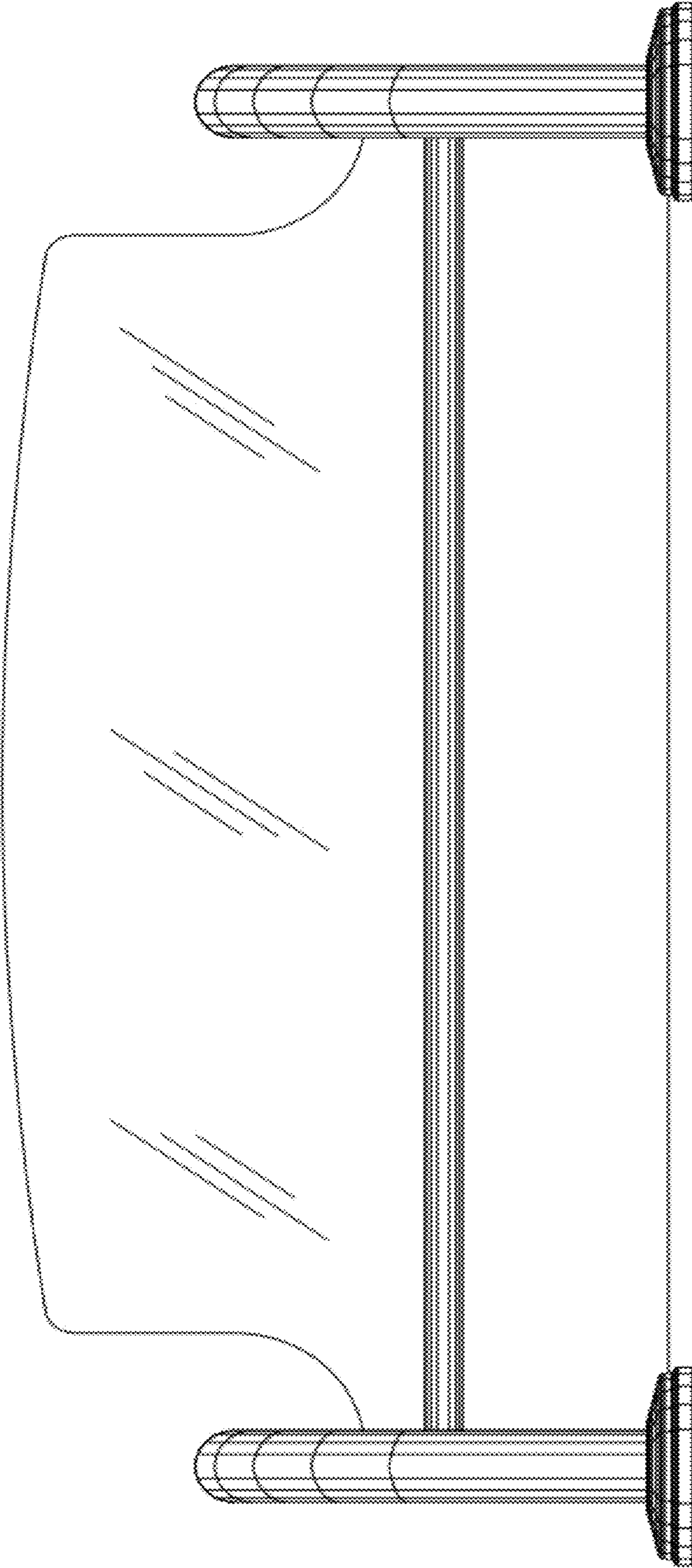


FIG. 8