

US00D665610S

(12) **United States Design Patent**
Kanfer et al.

(10) **Patent No.:** **US D665,610 S**

(45) **Date of Patent:** **** Aug. 21, 2012**

(54) **DISPENSER HOUSING**

(75) Inventors: **Joseph S. Kanfer**, Richfield, OH (US);
Shelby J. Buell, Medina, OH (US);
Linda Zettergren, Avon, OH (US);
Brian Milliff, Cleveland, OH (US)

(73) Assignee: **GOJO Industries, Inc.**, Akron, OH (US)

(**) Term: **14 Years**

(21) Appl. No.: **29/386,302**

(22) Filed: **Feb. 28, 2011**

(51) **LOC (9) Cl.** **23-02**

(52) **U.S. Cl.** **D6/542**

(58) **Field of Classification Search** D6/542-545;
D9/682, 688, 690, 291, 448, 449; 221/282;
222/14, 173, 146.3, 628, 251, 181.1, 181.3
See application file for complete search history.

(56) **References Cited**

U.S. PATENT DOCUMENTS

D426,413 S * 6/2000 Kreitemier et al. D6/543
D531,440 S * 11/2006 Lo D6/542

D531,845 S * 11/2006 Christianson D6/542
D554,409 S * 11/2007 Scorgie D6/542
D564,273 S * 3/2008 Yang et al. D6/542

* cited by examiner

Primary Examiner — Brian N Vinson

(74) *Attorney, Agent, or Firm* — Renner Kenner Greive
Bobak Taylor & Weber

(57) **CLAIM**

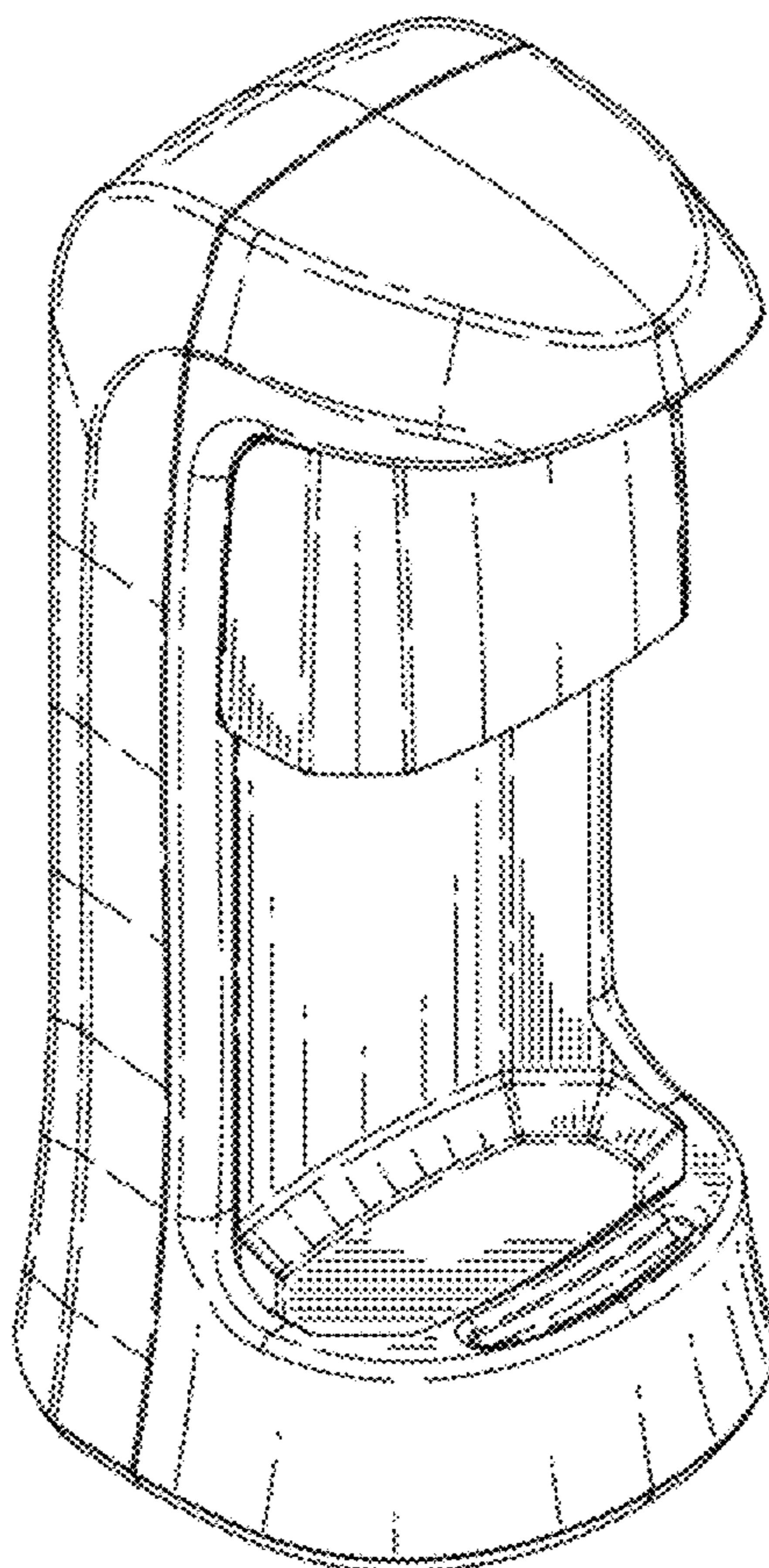
The ornamental design for a dispenser housing, as shown and described.

DESCRIPTION

FIG. 1 is a top, front, and left side perspective view of a dispenser housing showing our new design;
FIG. 2 is a top, rear, and right side perspective view thereof;
FIG. 3 is a front elevational view thereof;
FIG. 4 is a rear elevational view thereof;
FIG. 5 is a left side elevational view thereof;
FIG. 6 is a right side elevational view thereof;
FIG. 7 is a top plan view thereof; and,
FIG. 8 is a bottom plan view thereof.

The broken-line disclosure in the views is understood to represent portions of the article in which the claimed design is embodied, but which form no part of the claimed design.

1 Claim, 5 Drawing Sheets



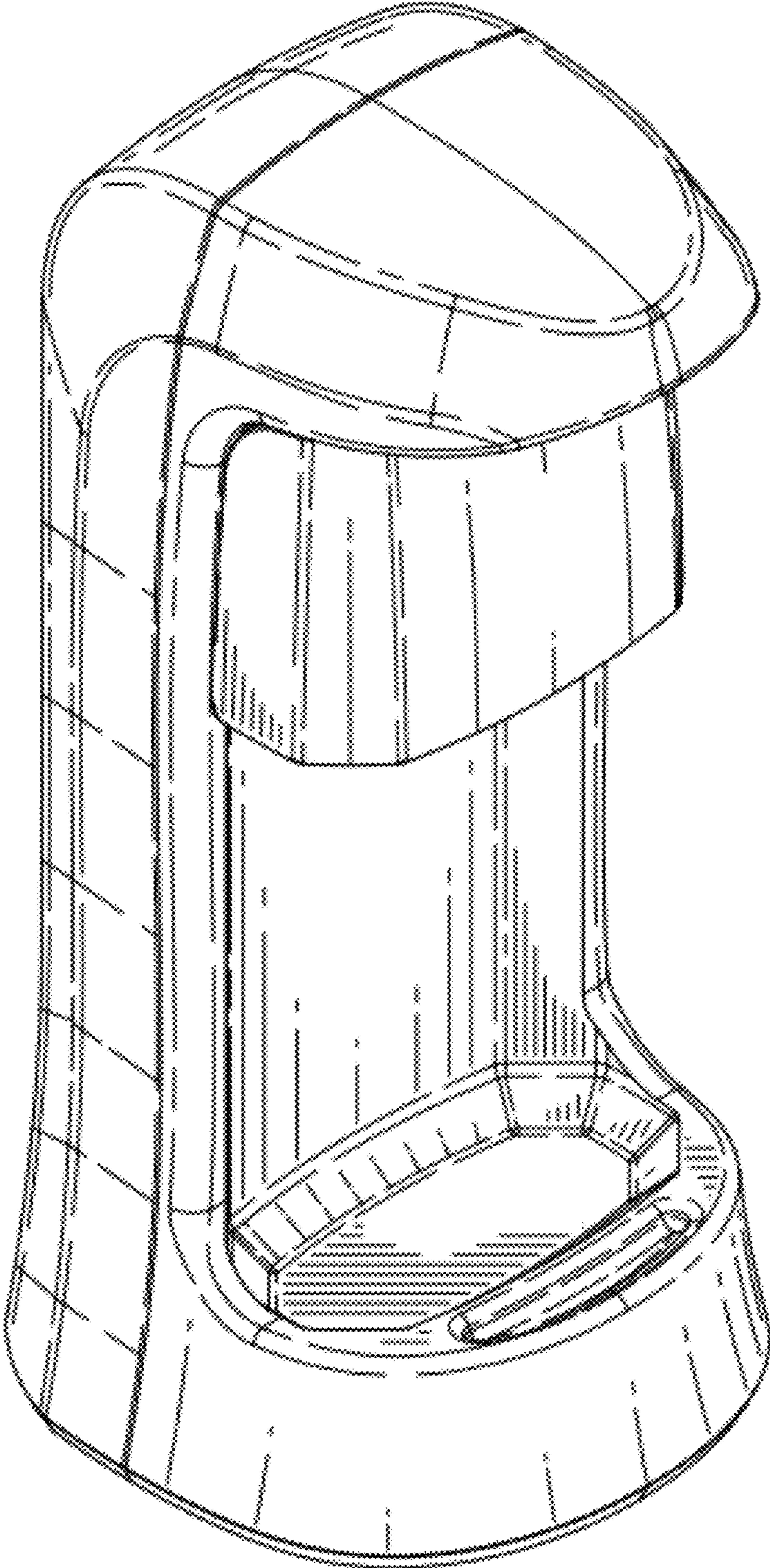


FIG-1

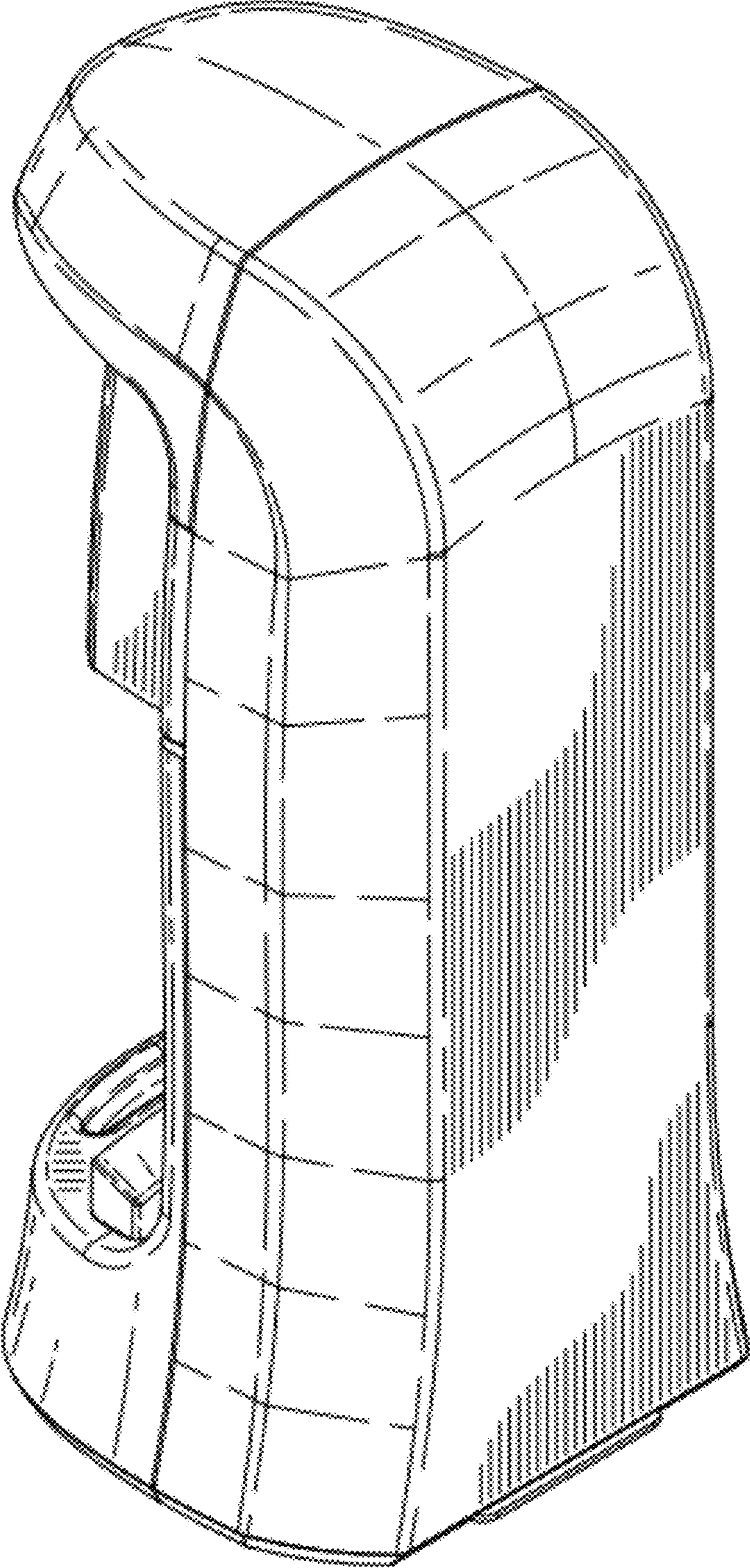


FIG-2

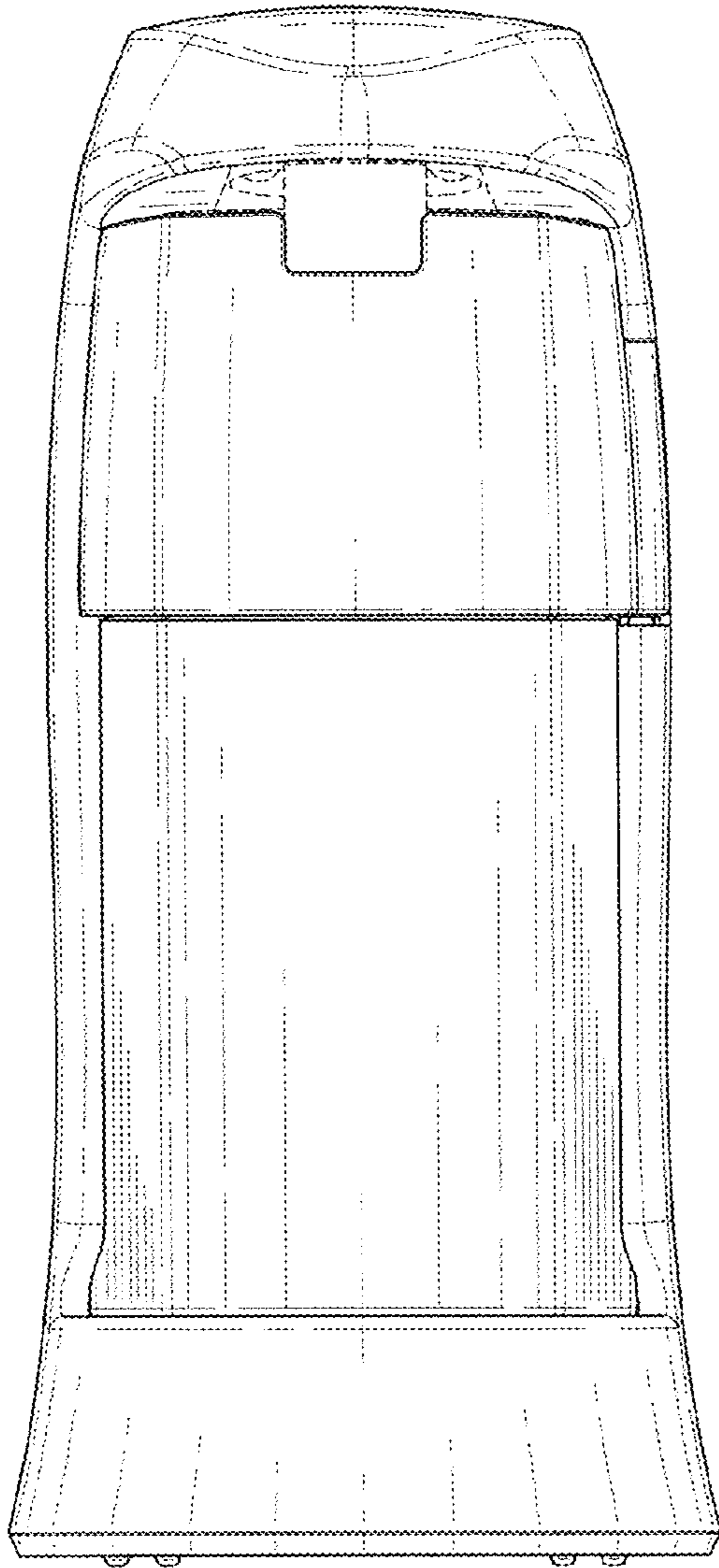


FIG-3

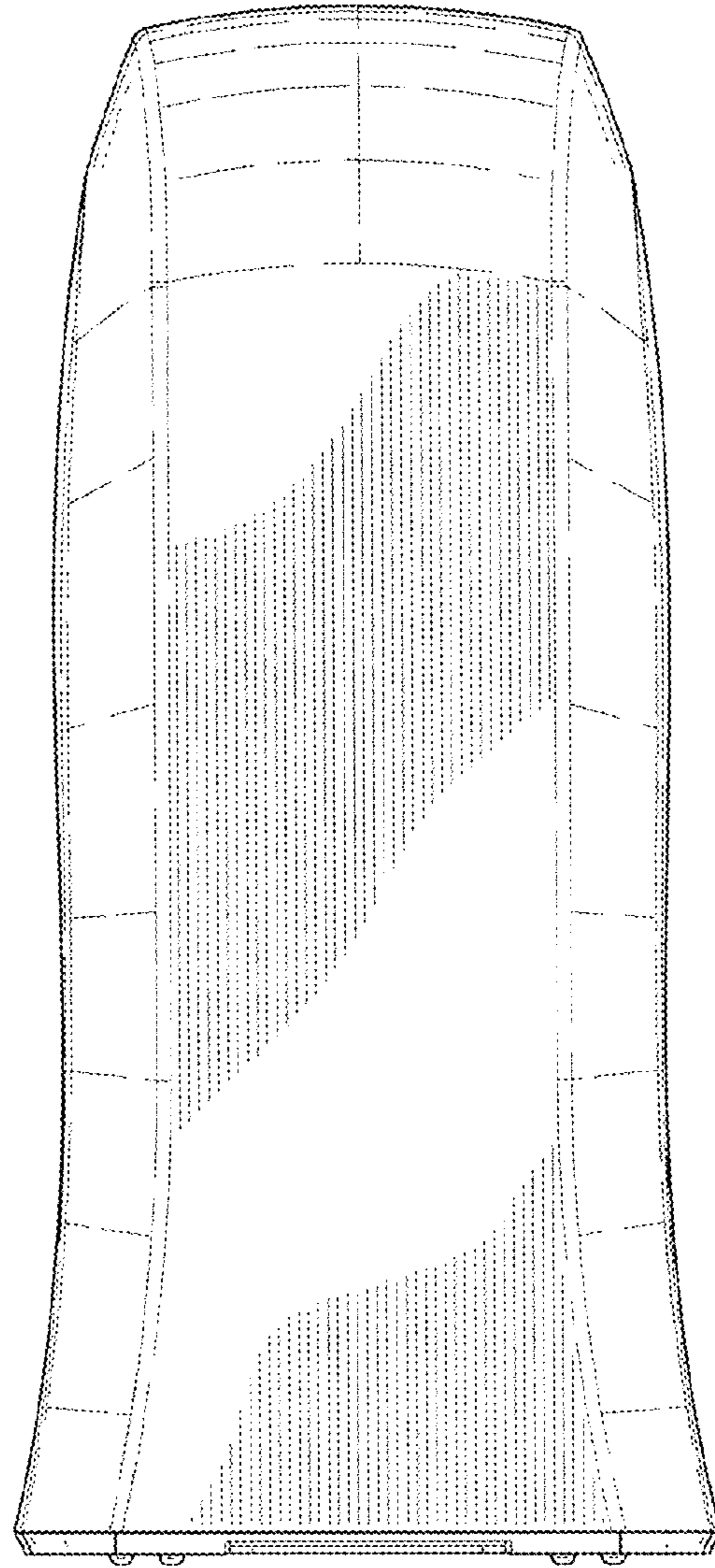


FIG-4

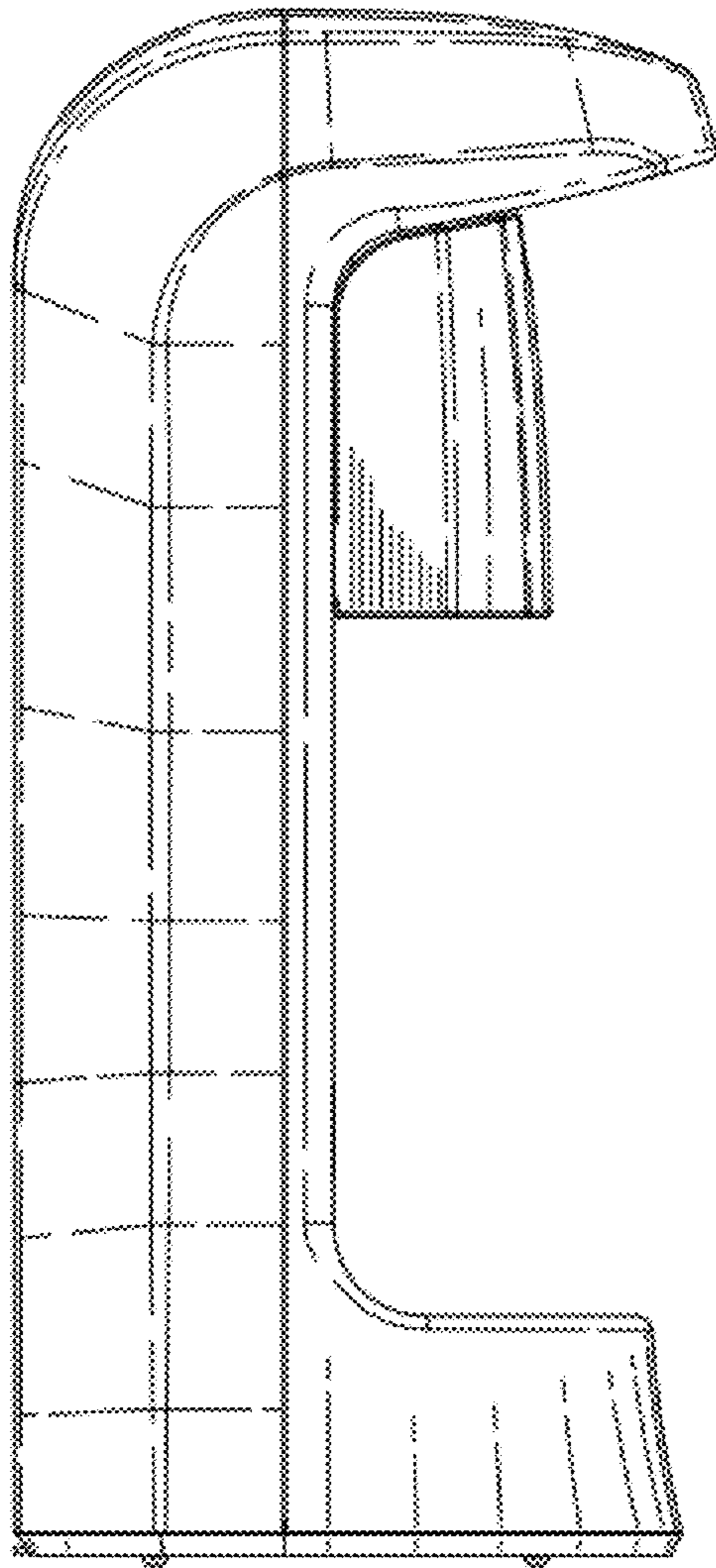


FIG-5

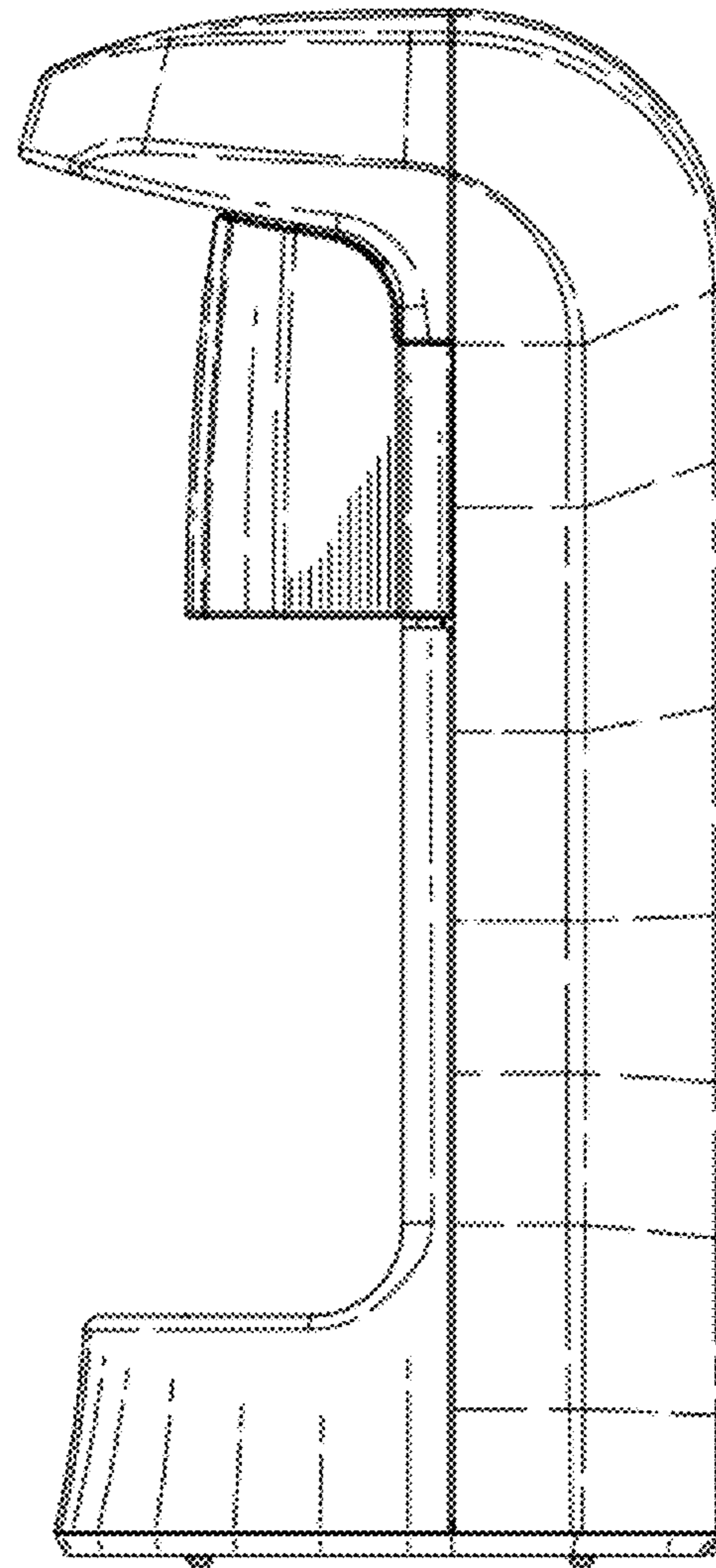


FIG-6

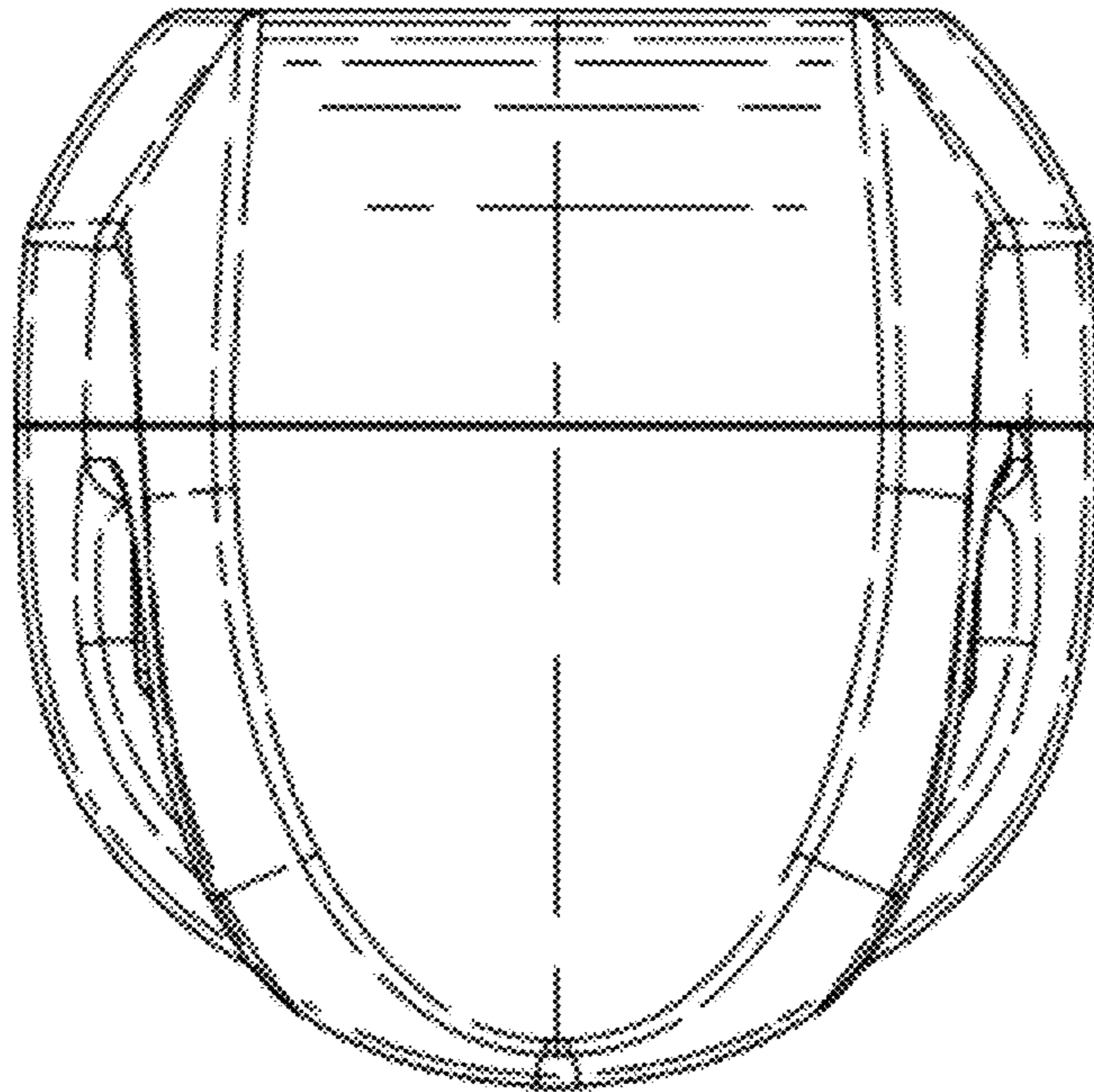


FIG-7

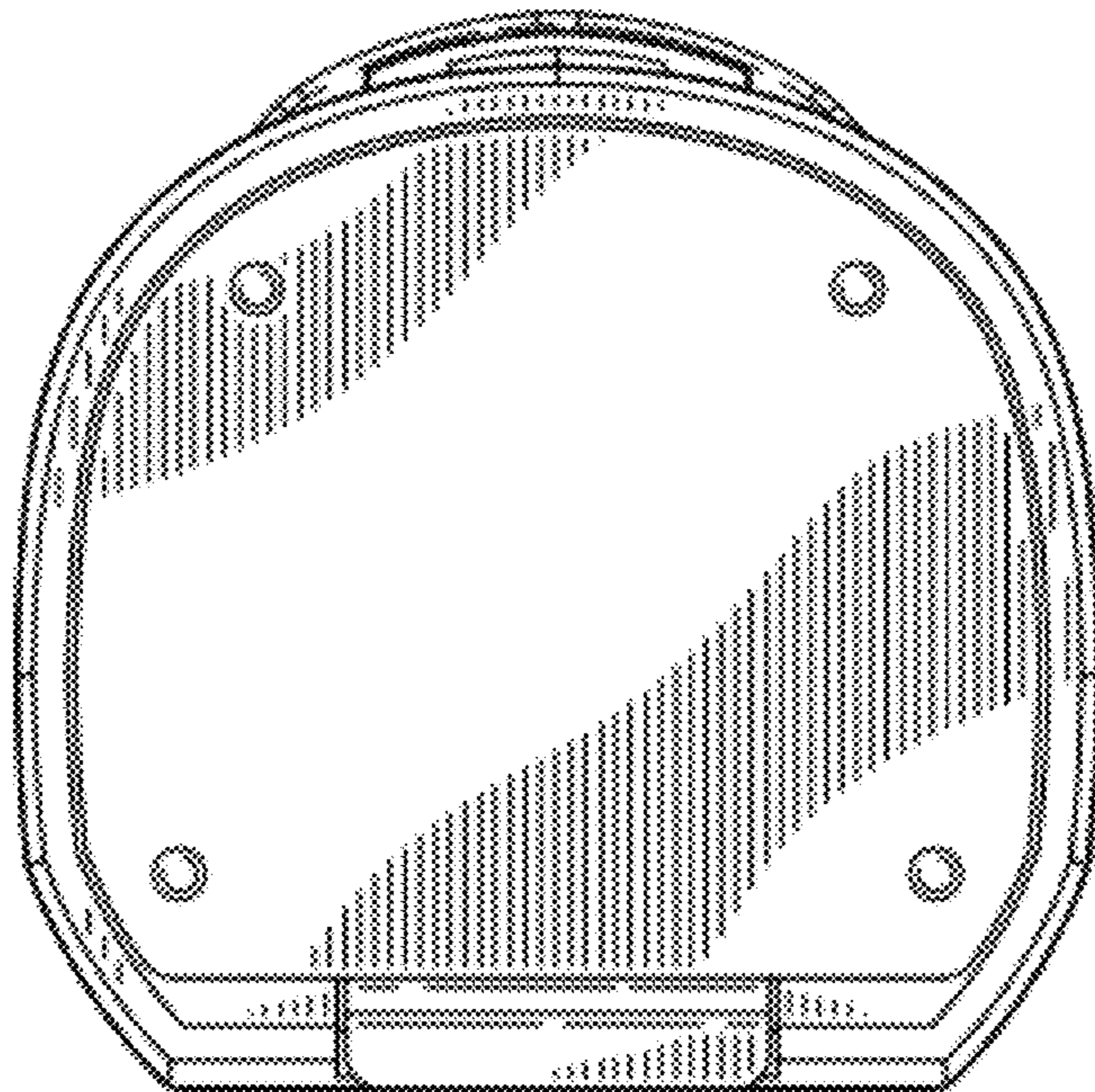


FIG-8