



US00D665609S

(12) **United States Design Patent**
Sedwick

(10) **Patent No.:** **US D665,609 S**

(45) **Date of Patent:** **** Aug. 21, 2012**

(54) **ACCESSORY POST**

(75) Inventor: **Jennifer P. Sedwick**, Lakewood, OH (US)

(73) Assignee: **Moen Incorporated**, North Olmsted, OH (US)

(**) Term: **14 Years**

(21) Appl. No.: **29/412,162**

(22) Filed: **Jan. 31, 2012**

(51) **LOC (9) Cl.** **23-02**

(52) **U.S. Cl.** **D6/524; D6/550**

(58) **Field of Classification Search** D6/518-524,
D6/546-550; D8/300, 370, 315; 108/28-29;
211/13.1, 16, 85.5, 86.01, 87.01, 88.04, 100,
211/105.1, 105.2, 106, 113, 123, 181.1, 182-183;
248/49, 175, 176.1, 200, 201, 205.1, 251,
248/302, 309.1, 315; 242/570, 590, 595-598
See application file for complete search history.

(56) **References Cited**

U.S. PATENT DOCUMENTS

D327,196 S *	6/1992	Crook et al.	D6/549
D423,854 S *	5/2000	Roth et al.	D6/549
D454,459 S *	3/2002	Meck et al.	D6/549
D466,736 S *	12/2002	Ouyoung	D6/524
D492,151 S *	6/2004	Chen	D6/524
D516,356 S *	3/2006	Sedwick	D6/550
D519,766 S *	5/2006	Gilbert	D6/524
D522,786 S *	6/2006	Chu et al.	D6/550
D532,638 S *	11/2006	Berberet et al.	D6/550
D596,887 S *	7/2009	Sedwick	D6/550
D608,124 S *	1/2010	Sedwick	D6/524
D654,742 S *	2/2012	Slothower et al.	D6/524

FOREIGN PATENT DOCUMENTS

MX 8561 9/1954

(Continued)

OTHER PUBLICATIONS

Bath Accessory Products, the bath accessory products shown in the cited document were publicly available prior to Jan. 31, 2012, 3 pages.

Primary Examiner — Brian N Vinson

(74) *Attorney, Agent, or Firm* — Calfee, Halter & Griswold LLP

(57) **CLAIM**

The ornamental design for an accessory post, as shown and described.

DESCRIPTION

FIG. 1 is a perspective view of an accessory post of the new design;

FIG. 2 is a front elevational view of the accessory post of FIG. 1;

FIG. 3 is a rear elevational view of the accessory post of FIG. 1;

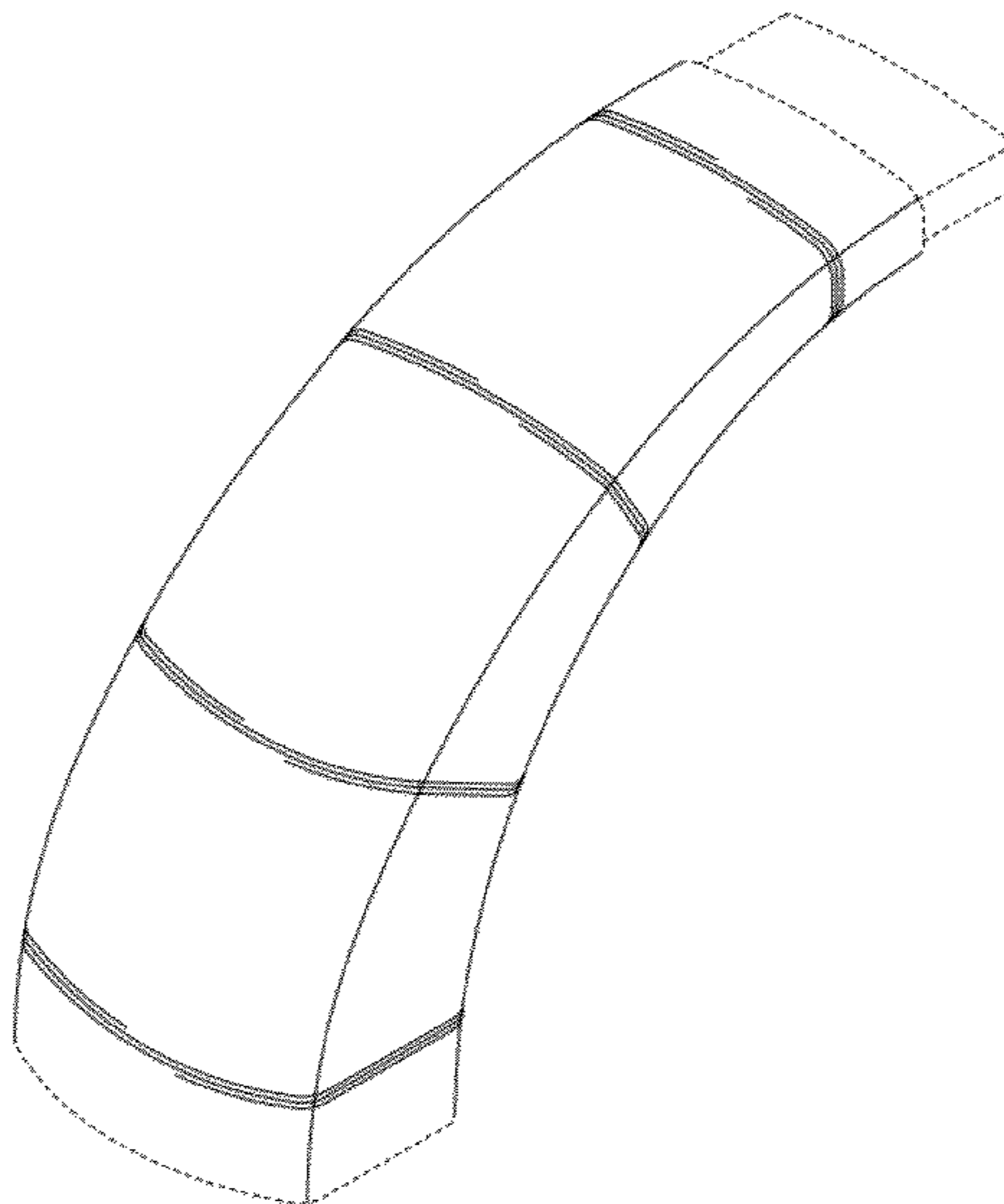
FIG. 4 is a left side elevational view of the accessory post of FIG. 1;

FIG. 5 is a right side elevational view of the accessory post of FIG. 1; and,

FIG. 6 is a top plan view of the accessory post of FIG. 1, the bottom plan view being a mirror image thereof.

The broken-line disclosure in the views is understood to represent portions of the article in which the claimed design is embodied, but which forms no part of the claimed design, and where a broken-line abuts a surface indicated as part of the claimed design by the presence of surface shading, that line is understood to represent an unclaimed boundary between claimed and unclaimed elements.

1 Claim, 4 Drawing Sheets



US D665,609 S

Page 2

FOREIGN PATENT DOCUMENTS					
			MX	23888	9/2007
			MX	23897	9/2007
			MX	26459	6/2008
			MX	27337	12/2008
			MX	268469 B	7/2009
			MX	30551 B	3/2010
			MX	30922 B	5/2010
			MX	30957 B	5/2010
			MX	30999 B	5/2010
			MX	31344 B	7/2010
			MX	31678 B	9/2010
			MX	31691 B	9/2010
MX	139654	6/1979			
MX	144662	11/1981			
MX	3427	2/1989			
MX	15518	9/2003			
MX	15523	9/2003			
MX	15562	9/2003			
MX	15654	10/2003			
MX	18703	9/2005			
MX	20166	3/2006			
MX	20960	6/2006			
MX	21081	6/2006			
MX	22432	3/2007			
MX	23880	9/2007			

* cited by examiner

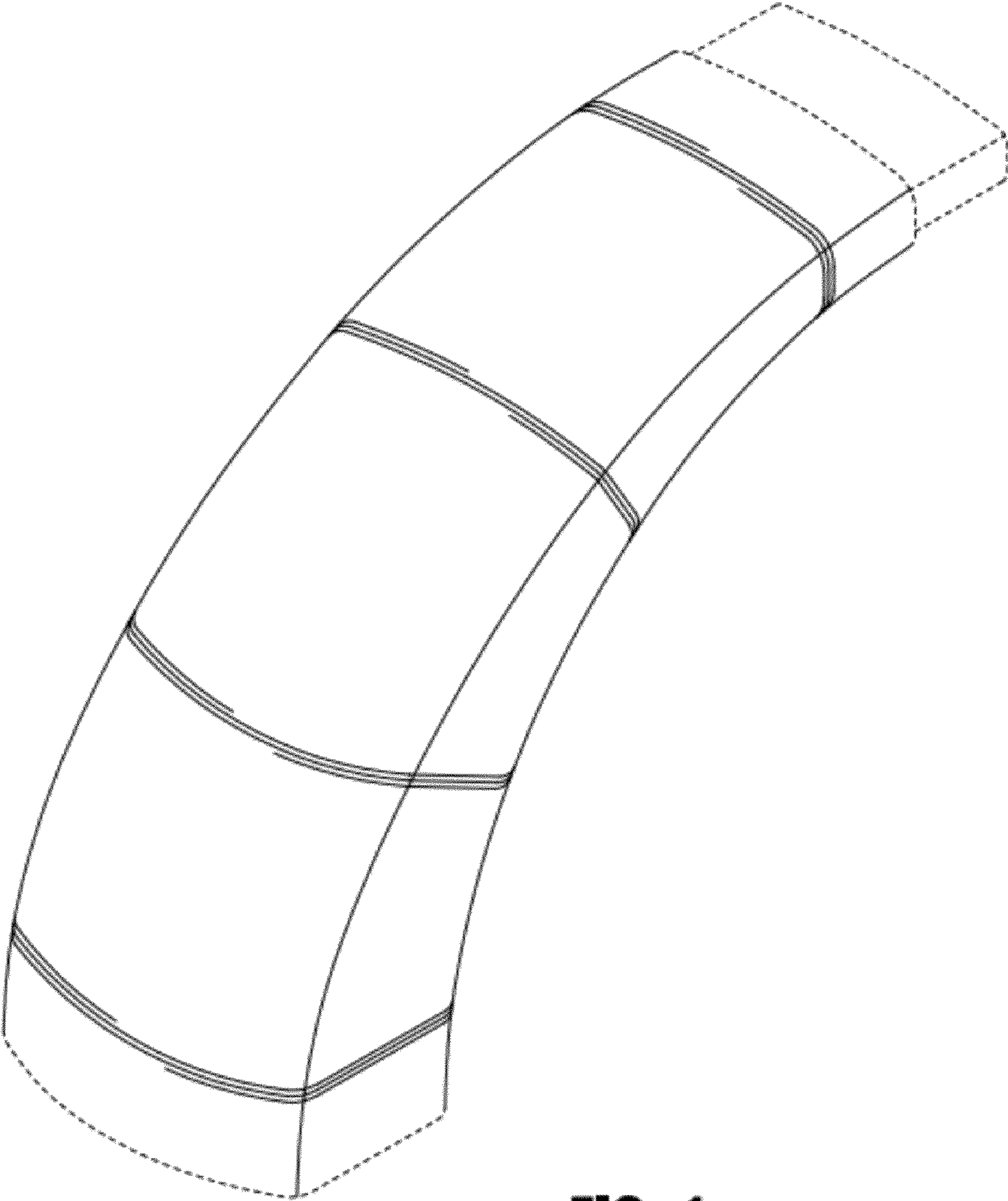


FIG. 1

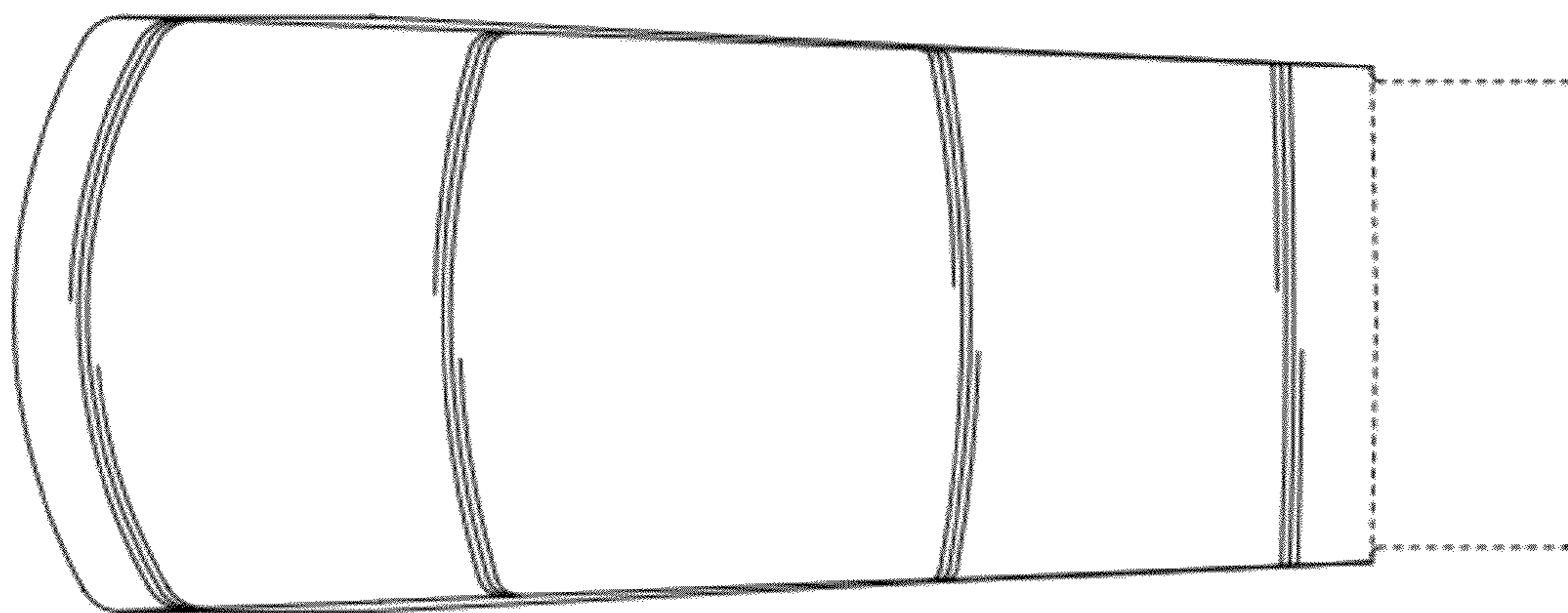


FIG. 2

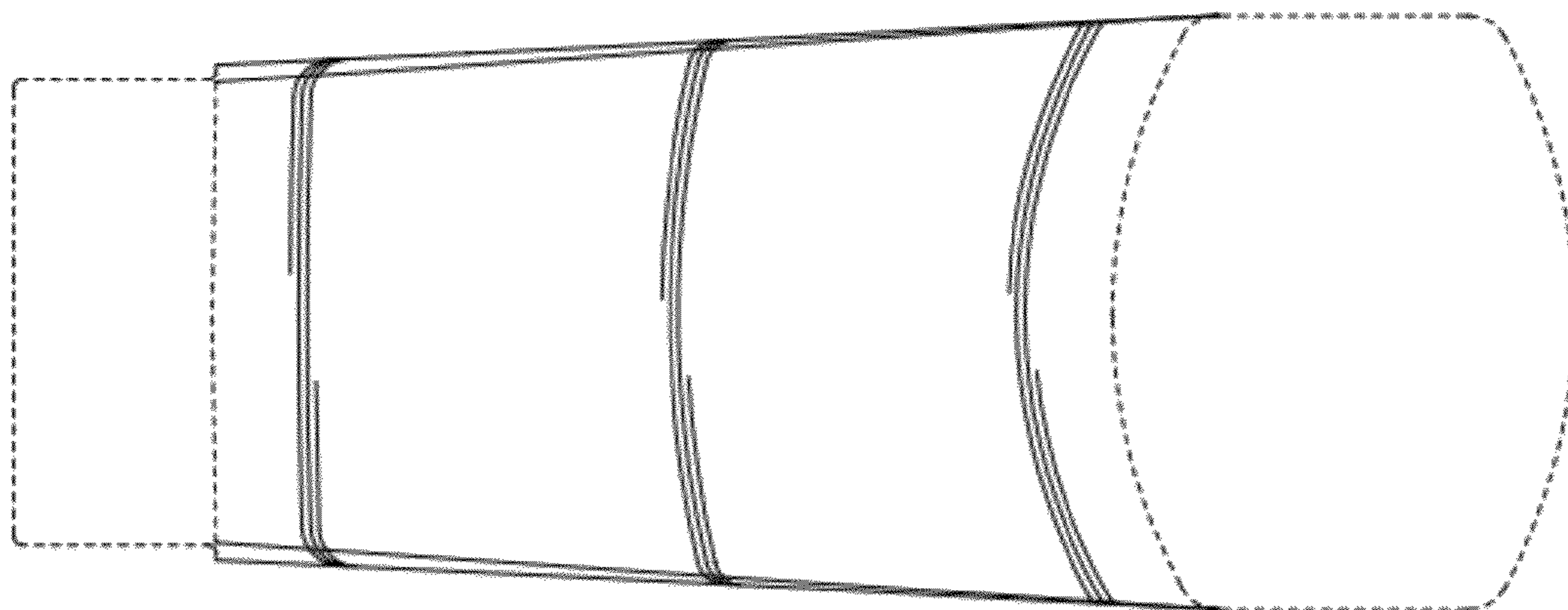


FIG. 3

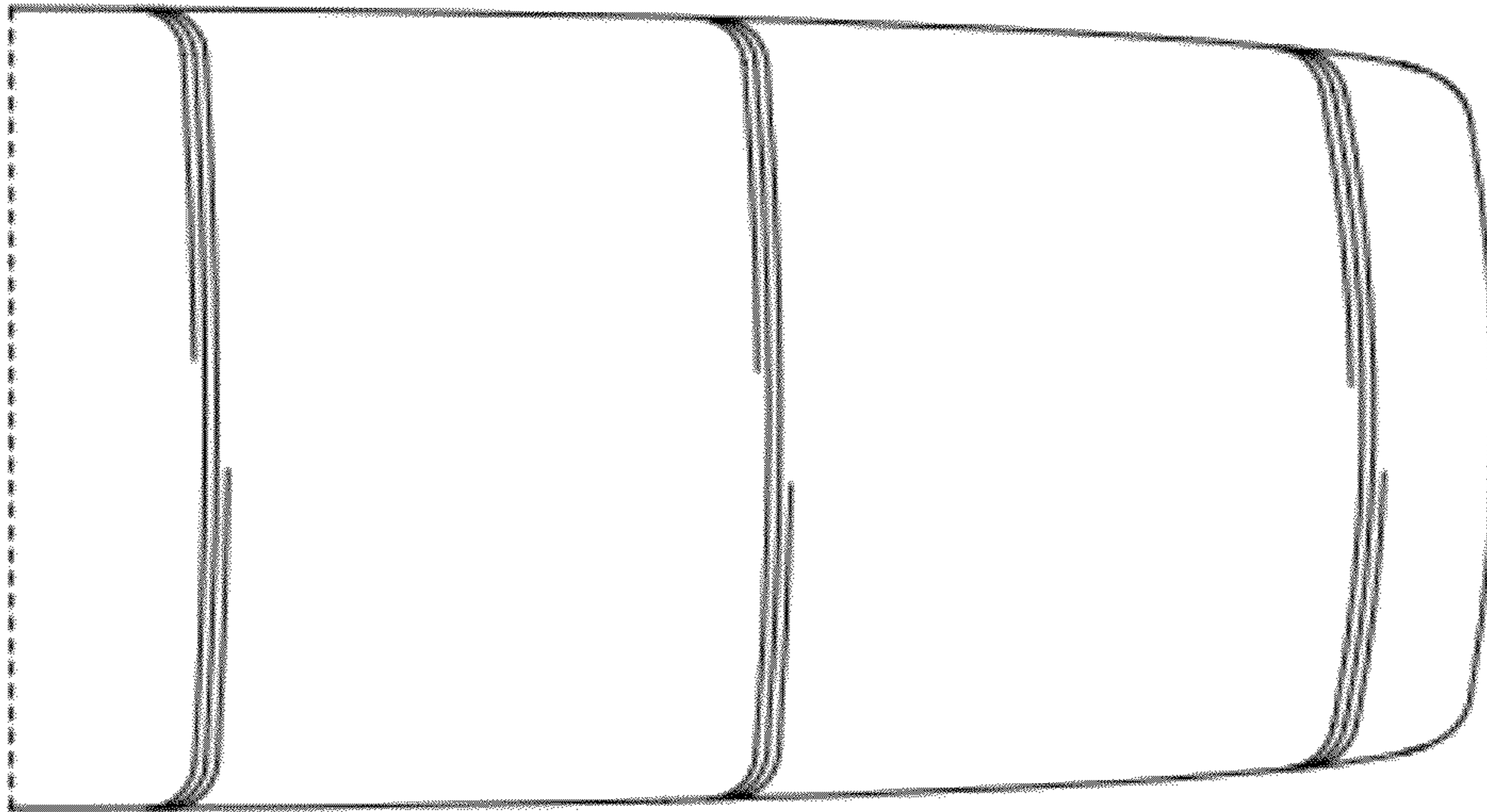


FIG. 4

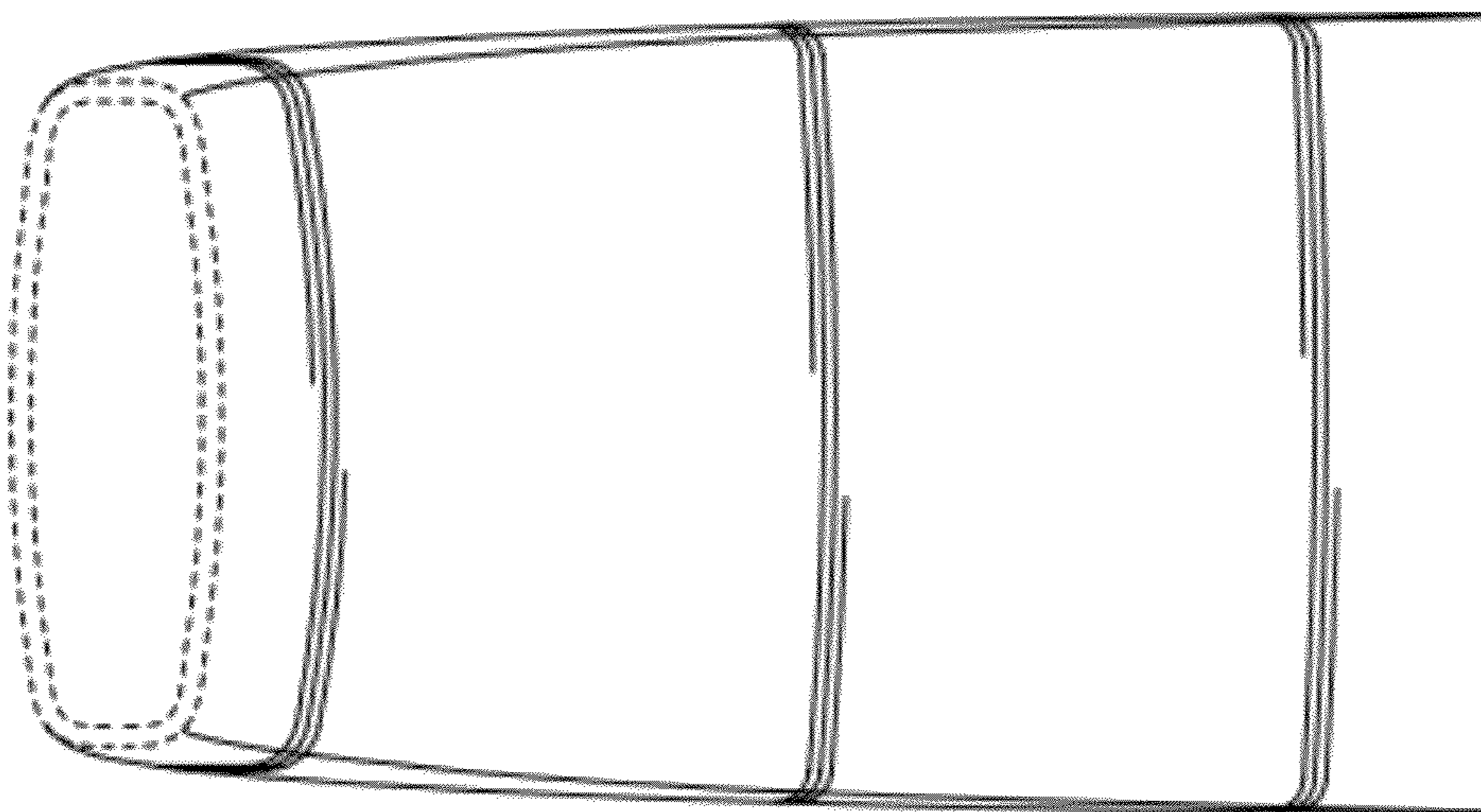


FIG. 5

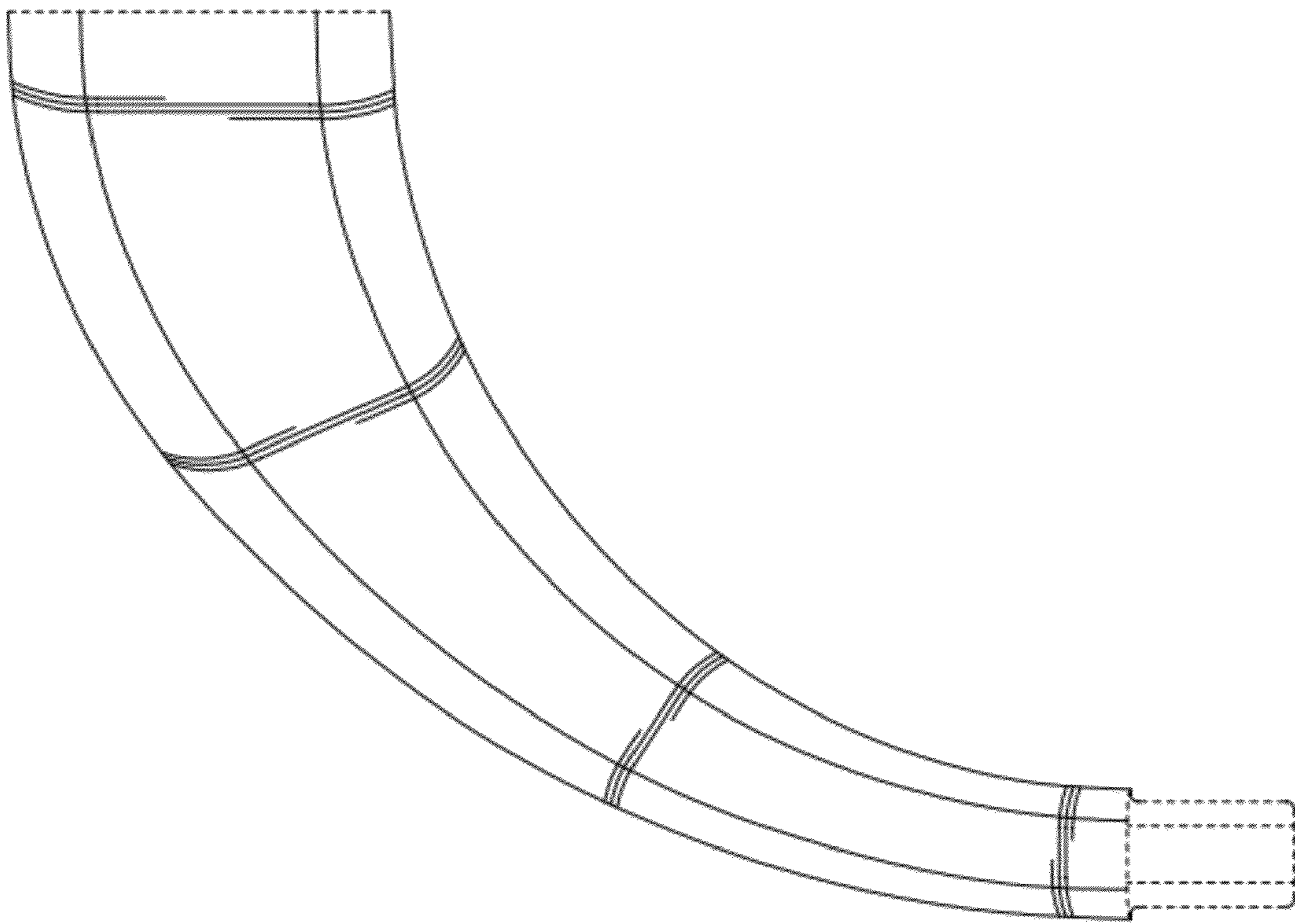


FIG. 6