



US00D665606S

(12) **United States Design Patent**
Gaska et al.

(10) **Patent No.:** **US D665,606 S**

(45) **Date of Patent:** **** Aug. 21, 2012**

(54) **MODULAR DRAWERS**

(75) Inventors: **Gil Anthony Gaska**, Saint Joseph, MI (US); **Travis Michael Perkins**, Granger, IN (US); **Scott M. Collins**, Newburgh, IN (US)

(73) Assignee: **Whirlpool Corporation**, Benton Harbor, MI (US)

(**) Term: **14 Years**

(21) Appl. No.: **29/410,786**

(22) Filed: **Jan. 12, 2012**

Related U.S. Application Data

(62) Division of application No. 29/362,095, filed on May 20, 2010, now Pat. No. Des. 654,736, which is a division of application No. 29/276,802, filed on Feb. 6, 2007, now Pat. No. Des. 618,019.

(51) **LOC (9) Cl.** **06-06**

(52) **U.S. Cl.** **D6/510**

(58) **Field of Classification Search** D3/241;
D6/420-436, 445-448, 460-468, 474-479,
D6/492-495, 510-511, 553, 559-561; D8/351;
D15/91; D21/686; D25/47-48, 58, 103-111,
D25/119, 138-142, 152-163; D34/27, 31;
52/177; 312/10, 204, 242-245, 249.9

See application file for complete search history.

(56) **References Cited**

U.S. PATENT DOCUMENTS

D491,585 S * 6/2004 Schmidt et al. D15/91
D495,912 S * 9/2004 Schmidt et al. D6/561
D497,921 S * 11/2004 Schmidt et al. D15/91
D500,059 S * 12/2004 Schmidt et al. D15/91
D502,556 S * 3/2005 Zimmerle et al. D25/138
D503,839 S * 4/2005 Schmidt et al. D34/27

D503,840 S * 4/2005 Schmidt et al. D34/27
D504,989 S * 5/2005 Schmidt et al. D34/27
D507,390 S * 7/2005 Schmidt et al. D34/27
D507,914 S * 8/2005 Schmidt et al. D6/510
D508,503 S * 8/2005 Schmidt et al. D15/91
6,926,376 B2 * 8/2005 Arent et al. 312/249.9
D510,831 S * 10/2005 Schmidt et al. D6/510
D513,809 S * 1/2006 Zimmerle et al. D25/138
D514,854 S * 2/2006 Schmidt et al. D6/510
D515,342 S * 2/2006 Schmidt et al. D6/510
D518,984 S * 4/2006 Schmidt et al. D6/510
D520,784 S * 5/2006 Schmidt et al. D6/510
D521,285 S * 5/2006 Schmidt et al. D6/510
D527,212 S * 8/2006 Schmidt et al. D6/510
D547,636 S * 7/2007 Bartrom D8/351

(Continued)

Primary Examiner — Ricky Pham

(74) *Attorney, Agent, or Firm* — Michael M. Rose

(57) **CLAIM**

The ornamental design for the modular drawers, as shown and described.

DESCRIPTION

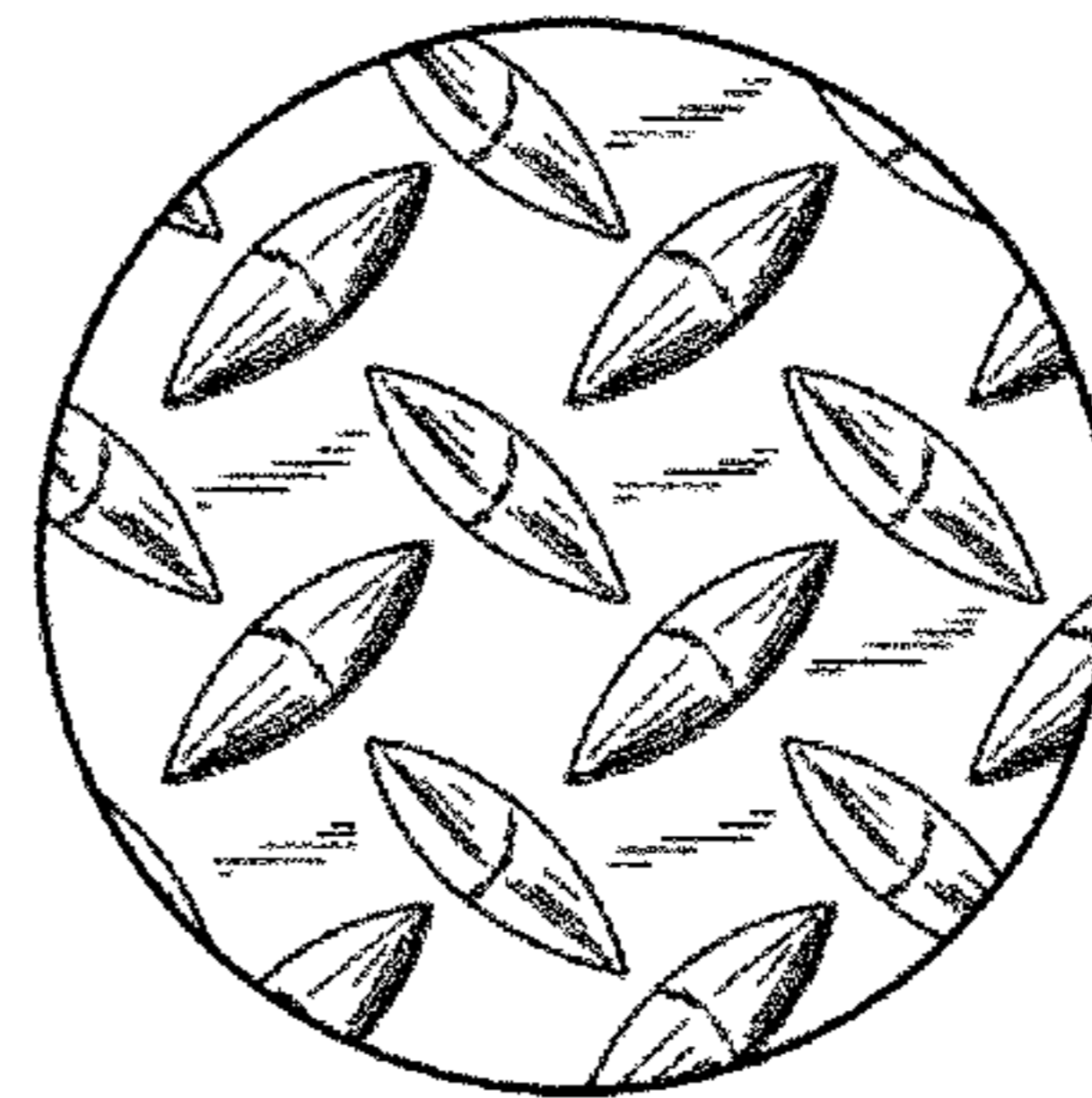
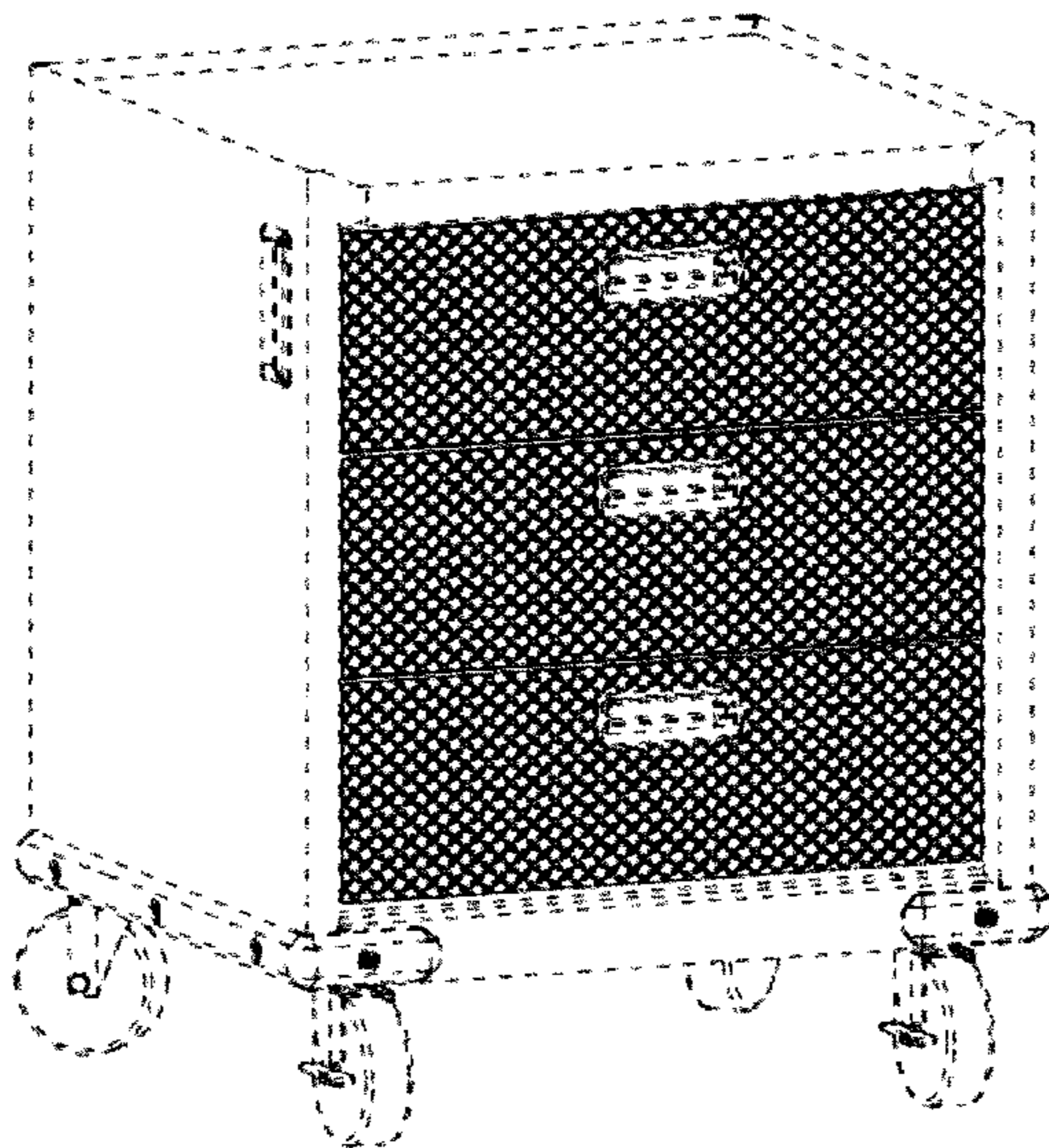
FIG. 1 is a left front perspective view of the design of the modular drawers;

FIG. 2 is a front elevational view thereof. The ornamental design is not visible in a rear view, top plan view, right or left side views or bottom view; and,

FIG. 3 is an enlarged view of the pattern on the modular drawer of the embodiment as shown in FIG. 2.

The characteristic feature of the ornamental design resides in the use of a pattern on the modular drawer. Those portions of modular drawers in broken lines, specifically the surfaces of the cabinet enclosing the modular drawers at the top, bottom and side edges of the drawers and the cabinet surfaces extending back from the face of the drawers including other surfaces of the modular drawers and the legs are not part of the claimed invention.

1 Claim, 2 Drawing Sheets



US D665,606 S

Page 2

U.S. PATENT DOCUMENTS

D550,012 S *	9/2007	Schmidt et al.	D6/561	7,634,876 B2 *	12/2009	Moller, Jr.	52/177
D582,624 S *	12/2008	Zhang	D34/31	D614,898 S *	5/2010	Schmidt et al.	D6/561
D587,503 S *	3/2009	Schmidt et al.	D6/561	D623,881 S *	9/2010	Schmidt et al.	D6/561
D595,870 S *	7/2009	Moller et al.	D25/163	D635,378 S *	4/2011	Schmidt et al.	D6/492
D595,871 S *	7/2009	Moller et al.	D25/163	D637,849 S *	5/2011	Schmidt et al.	D6/561
D599,419 S *	9/2009	Chiuchiarelli	D21/686	D654,293 S *	2/2012	Gaska et al.	D6/510
D603,161 S *	11/2009	Harris	D3/241	D654,736 S *	2/2012	Gaska et al.	D6/510
D605,446 S *	12/2009	Schmidt et al.	D6/561				

* cited by examiner

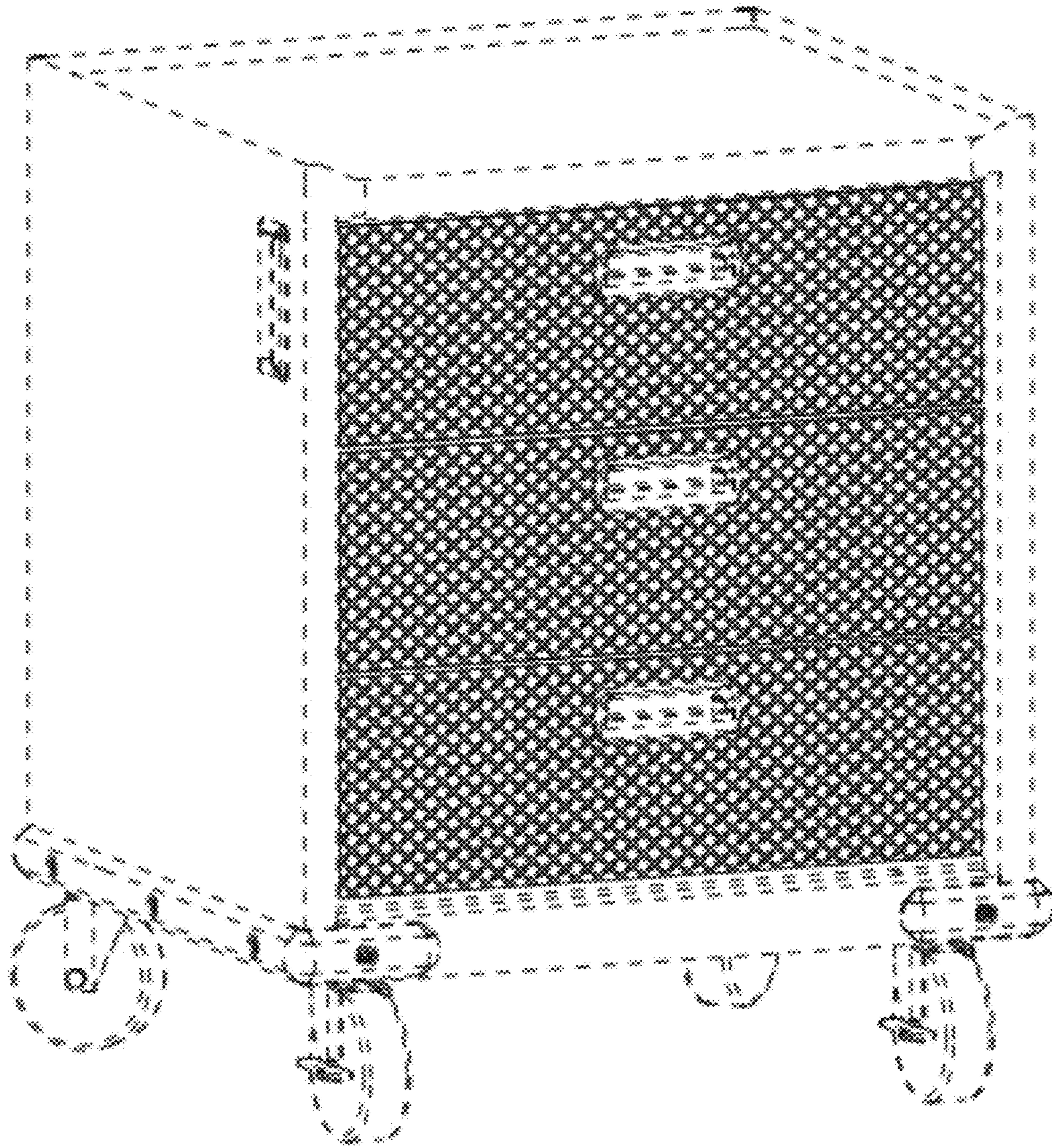


Fig. 1

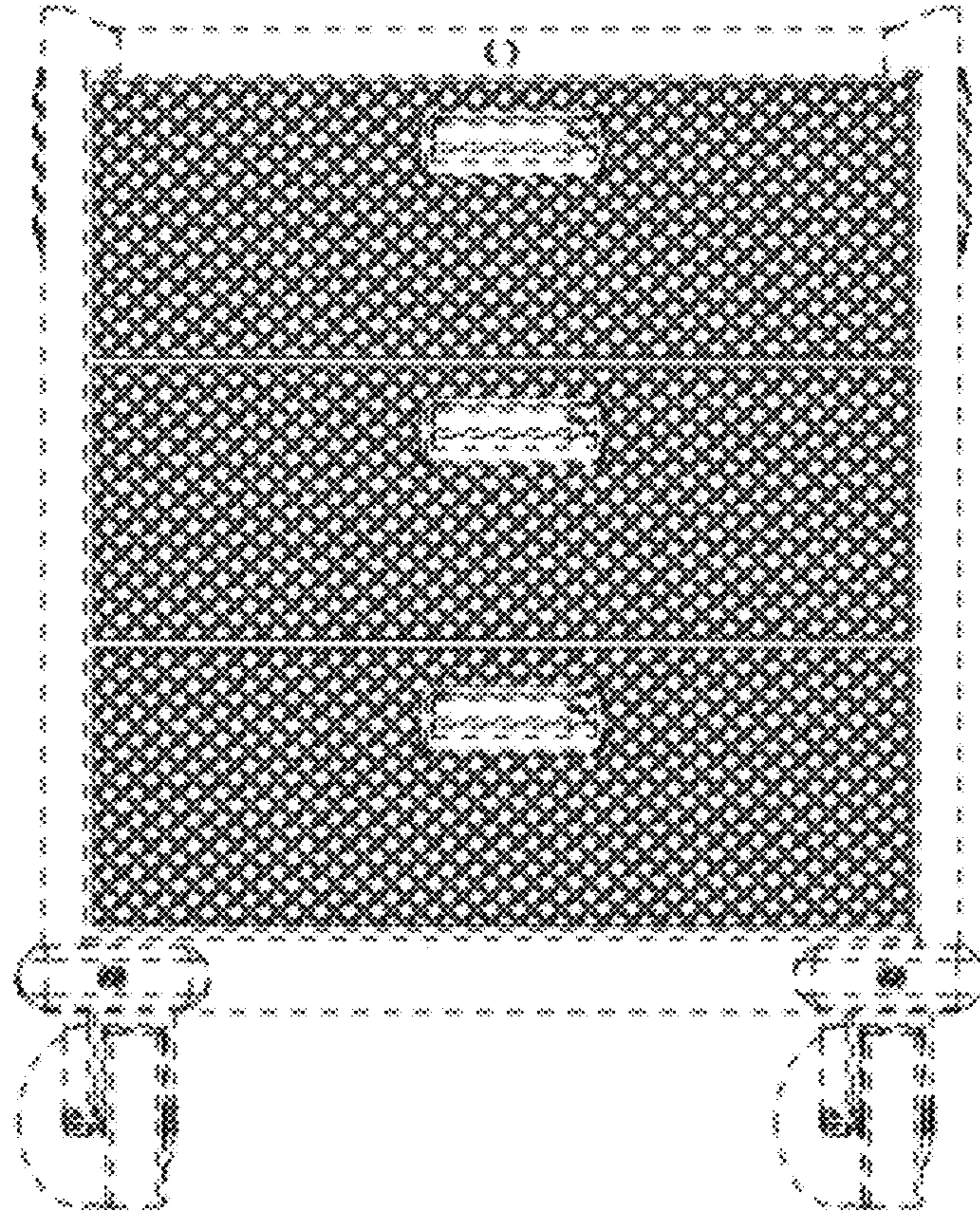


Fig. 2

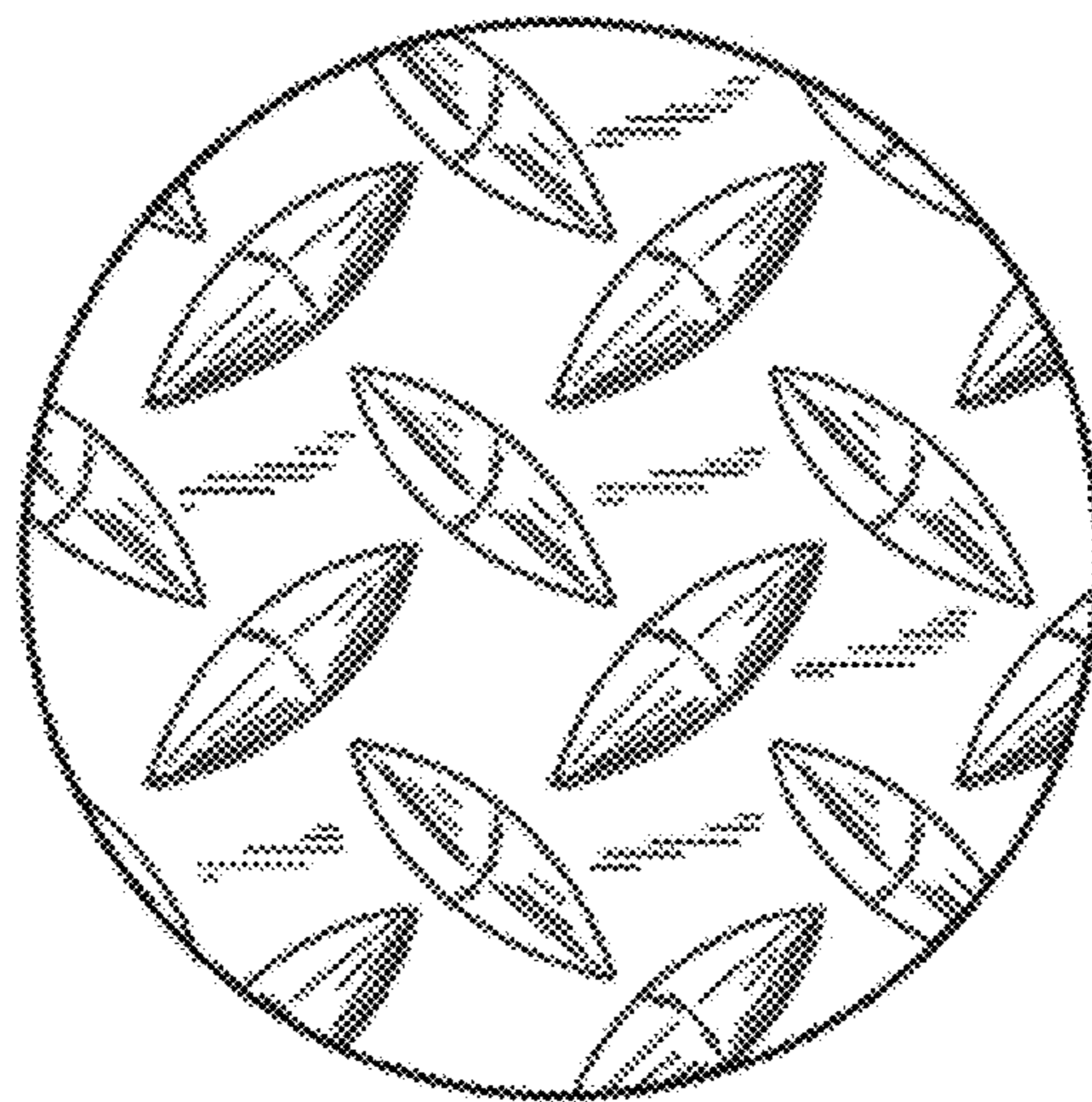


Fig. 3