

US00D665602S

(12) **United States Design Patent**
Muller

(10) **Patent No.:** **US D665,602 S**

(45) **Date of Patent:** **** Aug. 21, 2012**

(54) **TABLE BASE**

(75) **Inventor:** **Carl A. Muller**, Huntington Beach, CA (US)

(73) **Assignee:** **Elite Manufacturing Corporation**, Santa Fe Springs, CA (US)

(**) **Term:** **14 Years**

(21) **Appl. No.:** **29/412,579**

(22) **Filed:** **Feb. 6, 2012**

(51) **LOC (9) Cl.** **06-06**

(52) **U.S. Cl.** **D6/495; D6/482**

(58) **Field of Classification Search** D6/480-489, D6/495-499, 477, 479, 450-451; 108/150, 108/152, 153.1, 156, 161; 248/188, 188.1, 248/188.8

See application file for complete search history.

(56) **References Cited**

U.S. PATENT DOCUMENTS

3,705,556	A *	12/1972	Kelly	108/147.22
D373,269	S	9/1996	Muller	
D382,422	S	8/1997	Muller	
D384,529	S	10/1997	Muller	
D384,839	S	10/1997	Muller	
D388,979	S *	1/1998	Walters et al.	D6/480
D389,347	S	1/1998	Muller	
D389,674	S	1/1998	Muller	
D402,142	S	12/1998	Muller	
D402,487	S	12/1998	Muller	
D404,594	S	1/1999	Muller	
D408,652	S	4/1999	Muller	
D420,529	S	2/2000	Muller	
D433,254	S	11/2000	Muller	
D446,974	S	8/2001	Muller	
D456,184	S *	4/2002	Boles	D6/495
D469,990	S	2/2003	Muller	
D470,341	S	2/2003	Muller	
D470,345	S	2/2003	Muller	
D471,742	S	3/2003	Muller	
D491,387	S	6/2004	Muller	
D491,388	S	6/2004	Muller	

D502,825	S	3/2005	Muller
D509,385	S	9/2005	Muller
D519,761	S	5/2006	Muller
D526,821	S	8/2006	Muller
D530,546	S	10/2006	Muller
D541,560	S	5/2007	Muller
D543,733	S	6/2007	Muller
D545,087	S	6/2007	Muller

(Continued)

OTHER PUBLICATIONS

Crescent Tables, designed by Carl Muller, available from Elite Manufacturing Corporation, Santa Fe Springs, California, 1-page, 1999.

(Continued)

Primary Examiner — Janice Seeger

(74) *Attorney, Agent, or Firm* — Heslin Rothenberg Farley & Mesiti P.C.

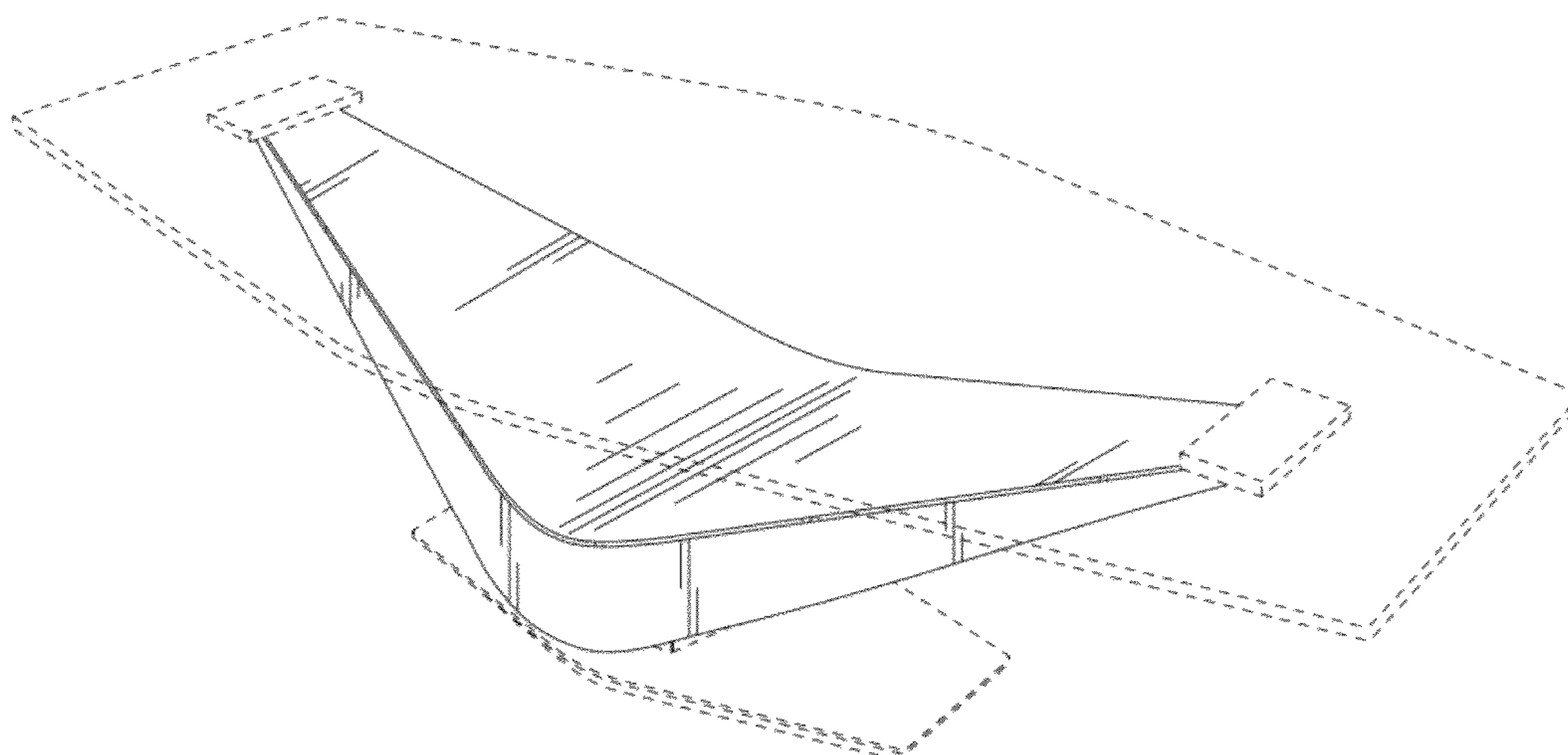
(57) **CLAIM**

The ornamental design for a table base, as shown and described.

DESCRIPTION

FIG. 1 is a perspective view of a table base in accordance with the new design;
FIG. 2 is a front elevational view thereof;
FIG. 3 is a right side elevational view thereof;
FIG. 4 is a left side elevational view thereof;
FIG. 5 is a rear elevational view thereof;
FIG. 6 is a top view thereof;
FIG. 7 is a perspective view of an alternative embodiment of the table base;
FIG. 8 is a front elevational view thereof;
FIG. 9 is a right side elevational view thereof;
FIG. 10 is a left side elevational view thereof;
FIG. 11 is a rear elevational view thereof; and,
FIG. 12 is a top view thereof.
The broken lines in the figures are for illustrative purposes only and form no part of the claimed design.

1 Claim, 12 Drawing Sheets



US D665,602 S

Page 2

U.S. PATENT DOCUMENTS

D559,019 S	*	1/2008	Roberts	D6/495
D563,123 S		3/2008	Muller		
D566,996 S		4/2008	Muller		
D566,997 S		4/2008	Muller		
D573,376 S		7/2008	Muller		
D573,377 S		7/2008	Muller		
D574,640 S		8/2008	Muller		
D578,322 S		10/2008	Muller		
D578,323 S		10/2008	Muller		
D604,066 S		11/2009	Muller		
D604,533 S		11/2009	Muller		
D613,097 S		4/2010	Muller		
D613,974 S		4/2010	Muller		
D646,081 S		10/2011	Muller		
D650,204 S		12/2011	Muller		

OTHER PUBLICATIONS

EM Tables, designed by Jean Prouve, available from Vitra, Basel, Switzerland, 1-page, 1950.
Evian Pump Room, interior during construction, designed by Jean Prouve, Evian, France, 1-page, 1956-1957.
Gueridon Table, designed Jean Prouve, available from Vitra, Basel, Switzerland, 1-page, 1949.
Mame Printing Works, roof detail, designed by Jean Prouve, Tours, France, 1-page, 1950.
Standard Chair, designed Jean Prouve, available from Vitra, Basel, Switzerland, 1-page, 1934.
Carl Muller, pending U.S. Appl. No. 29/412,578, filed Feb. 6, 2012, "Seat Frame".

* cited by examiner

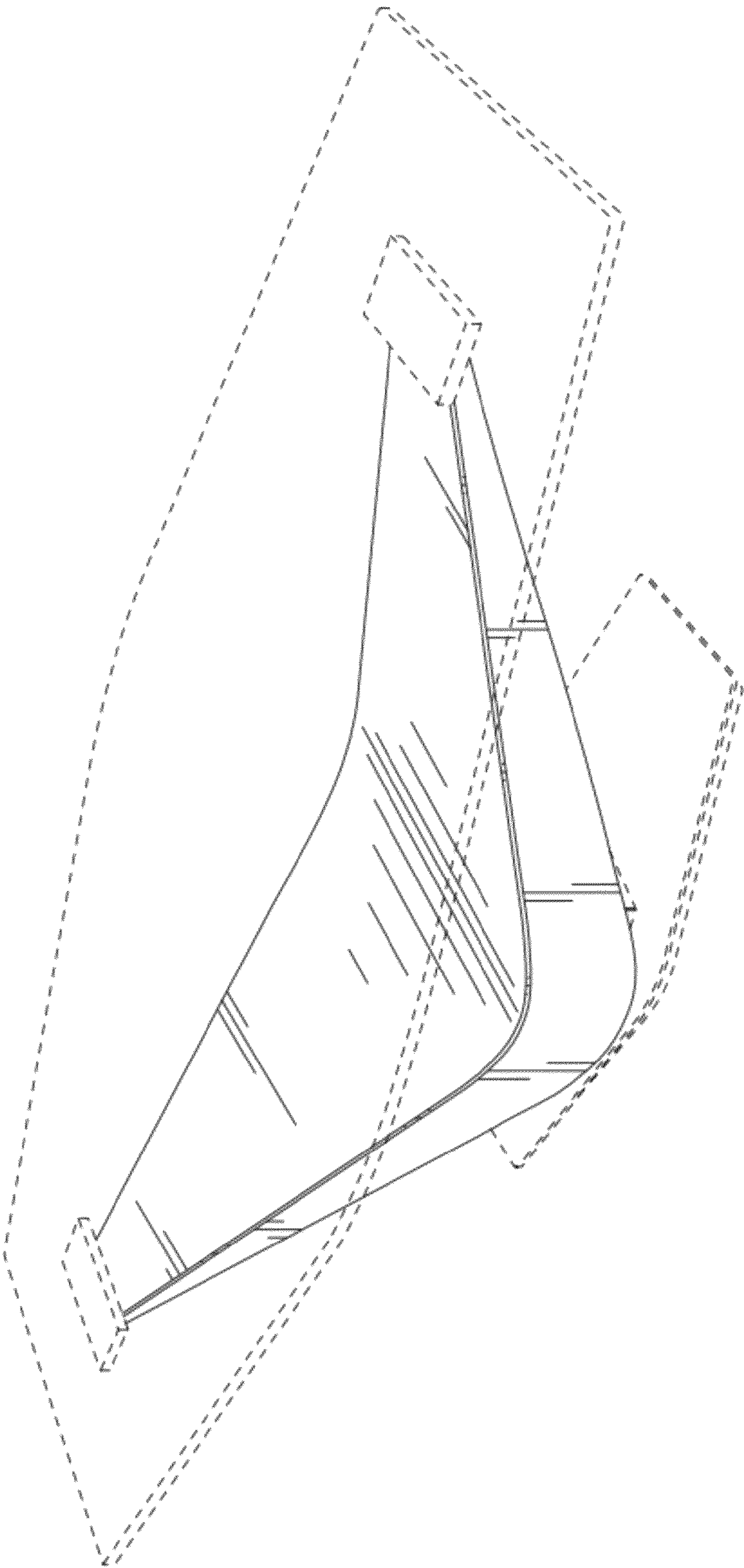


FIG. 1

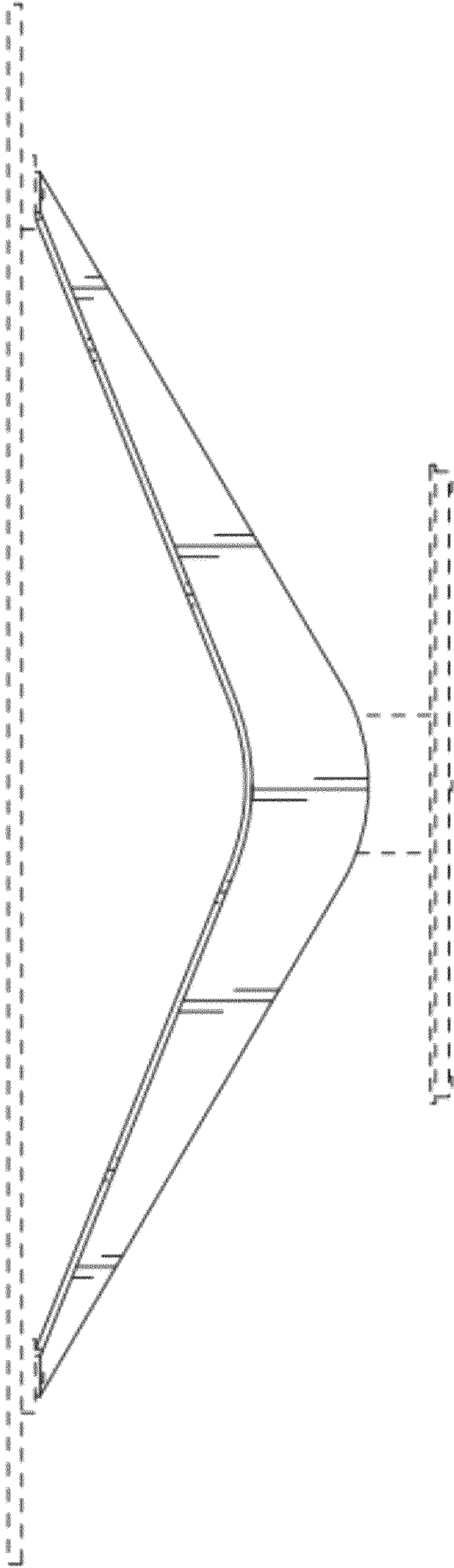


FIG. 2

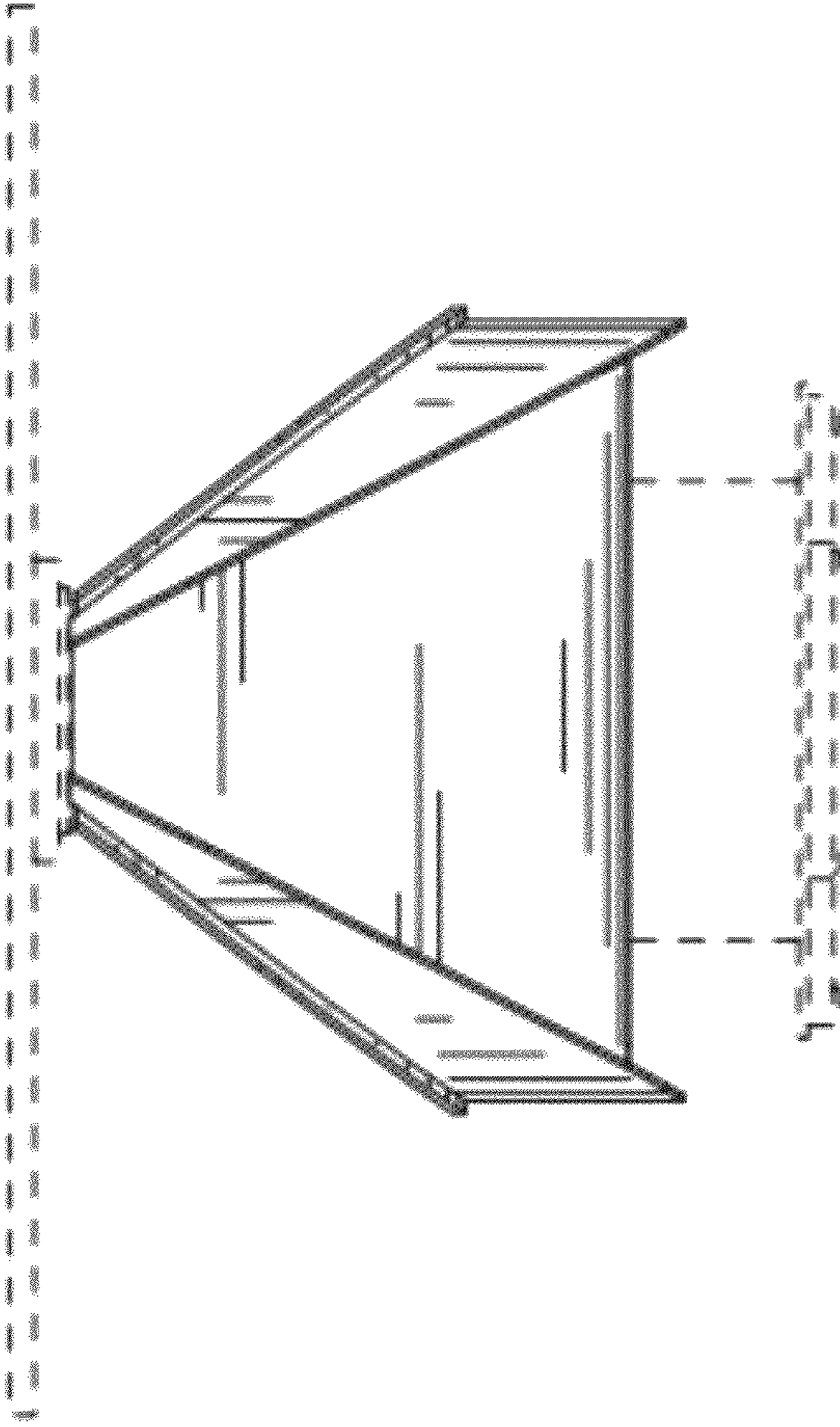


FIG. 3

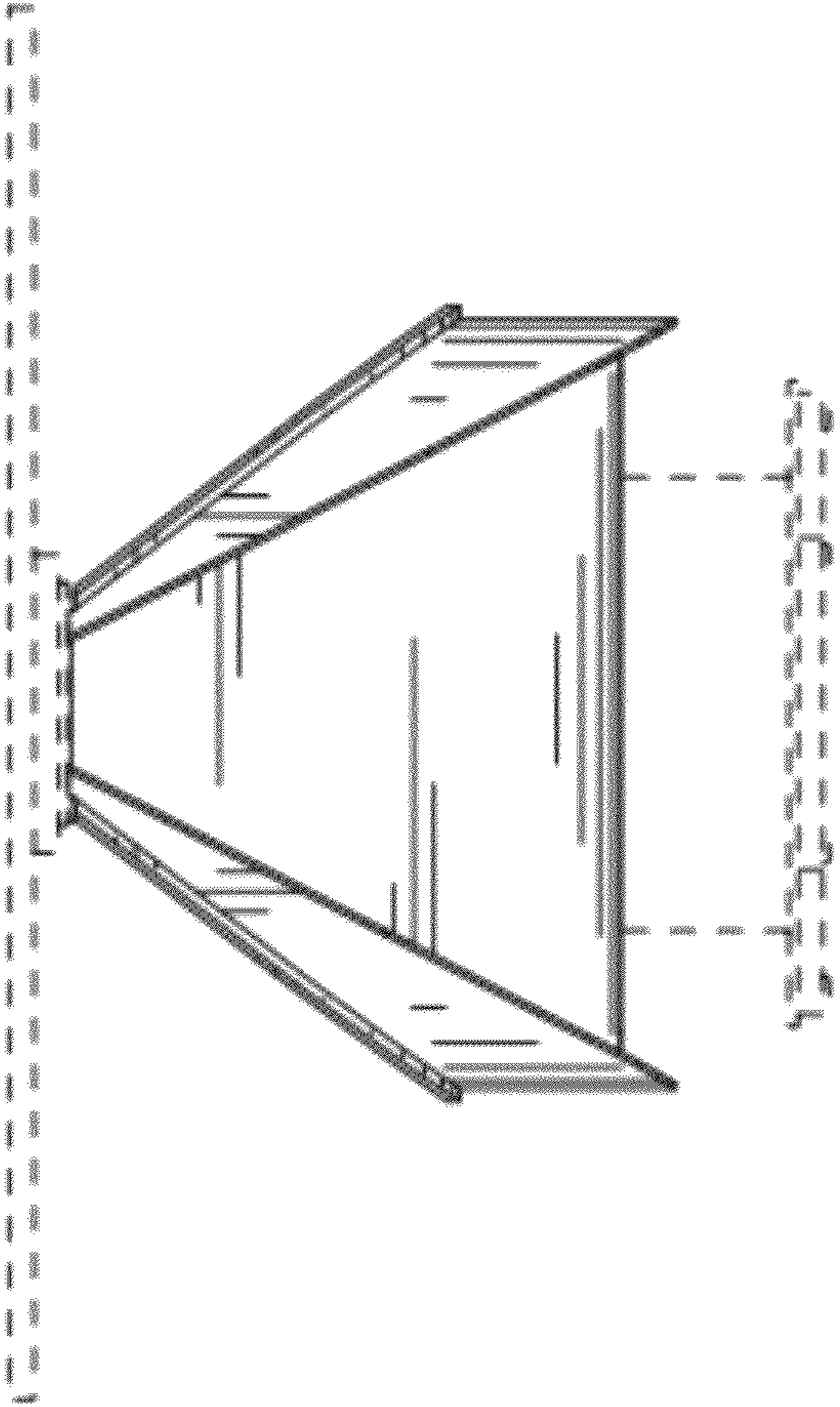


FIG. 4

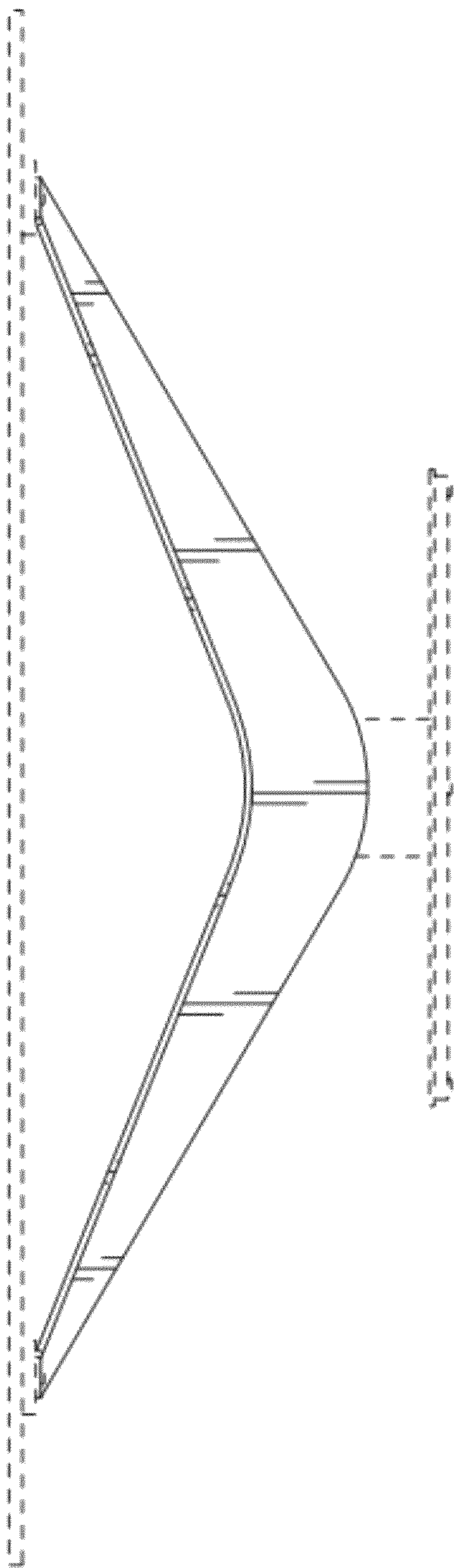


FIG. 5

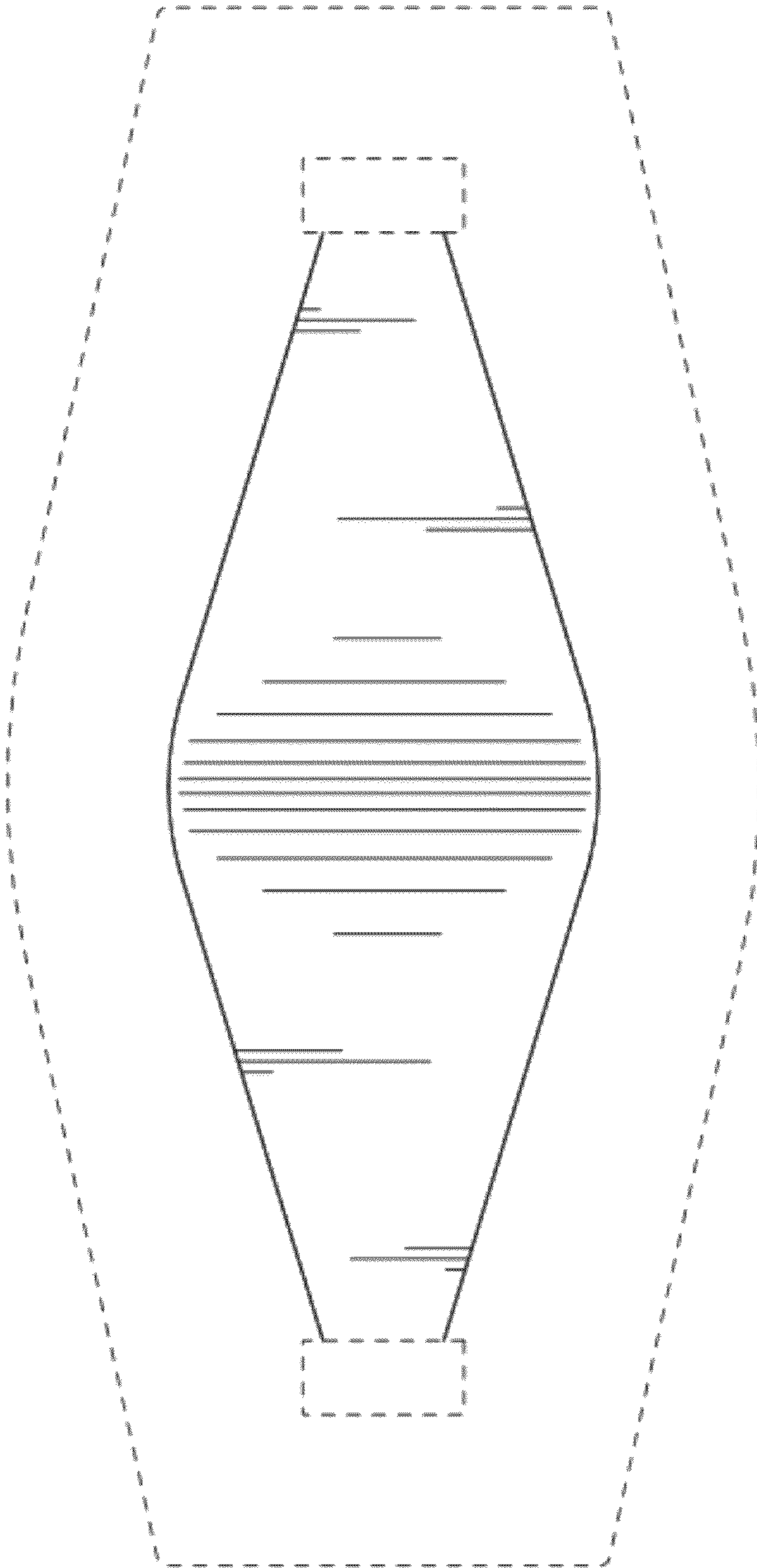


FIG. 6

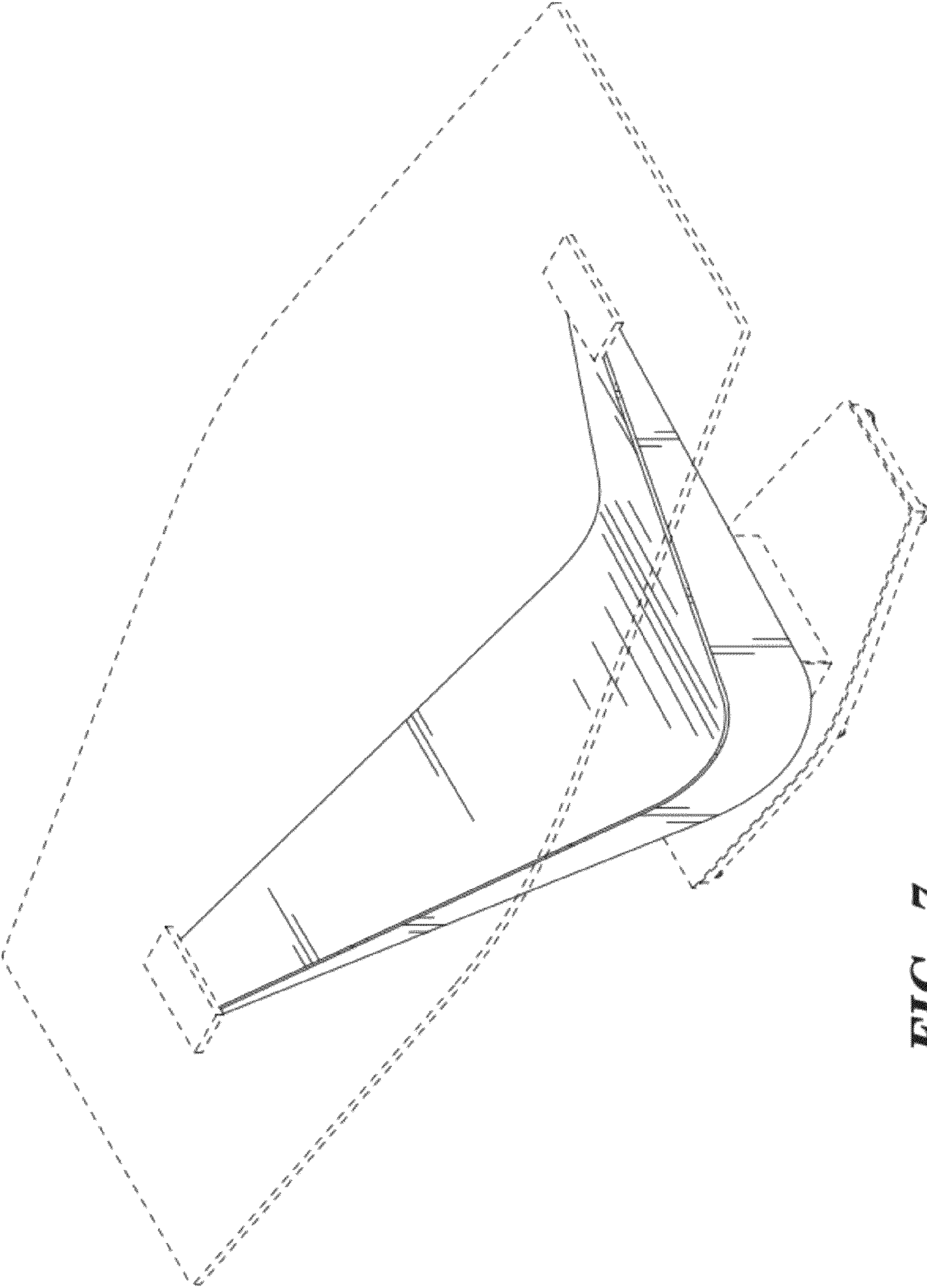


FIG. 7

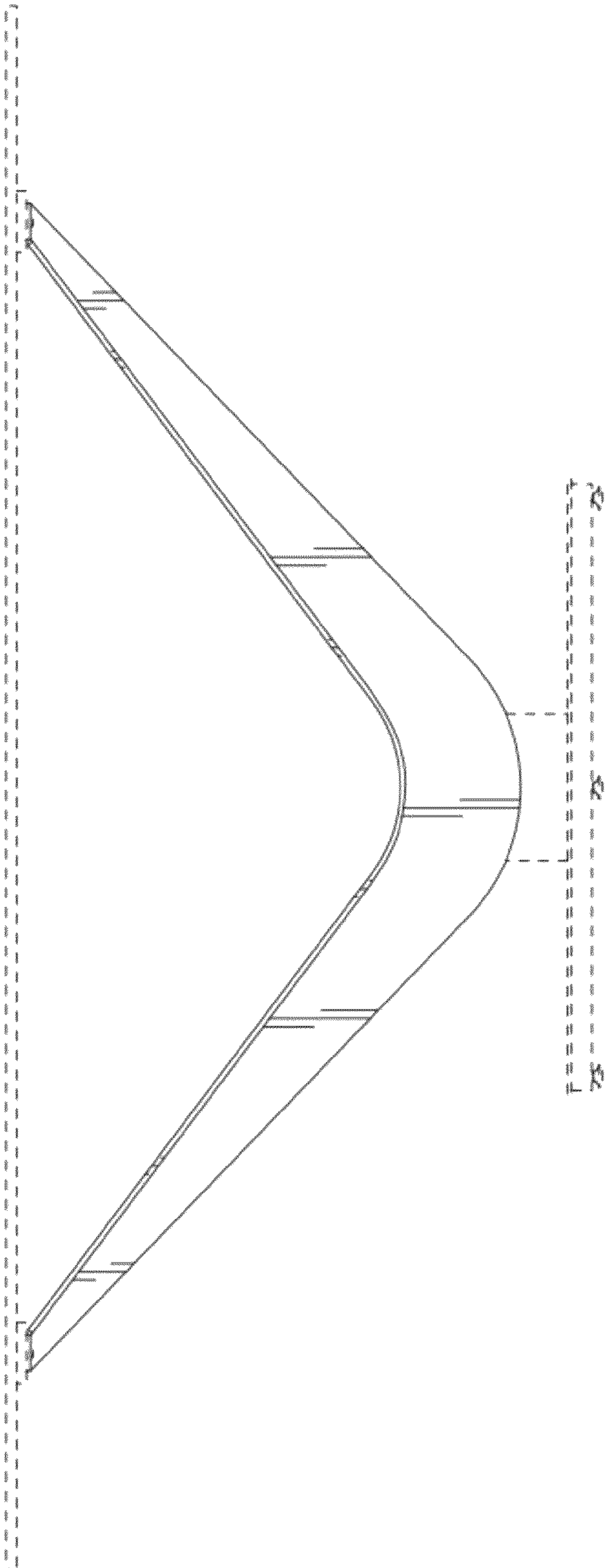


FIG. 8

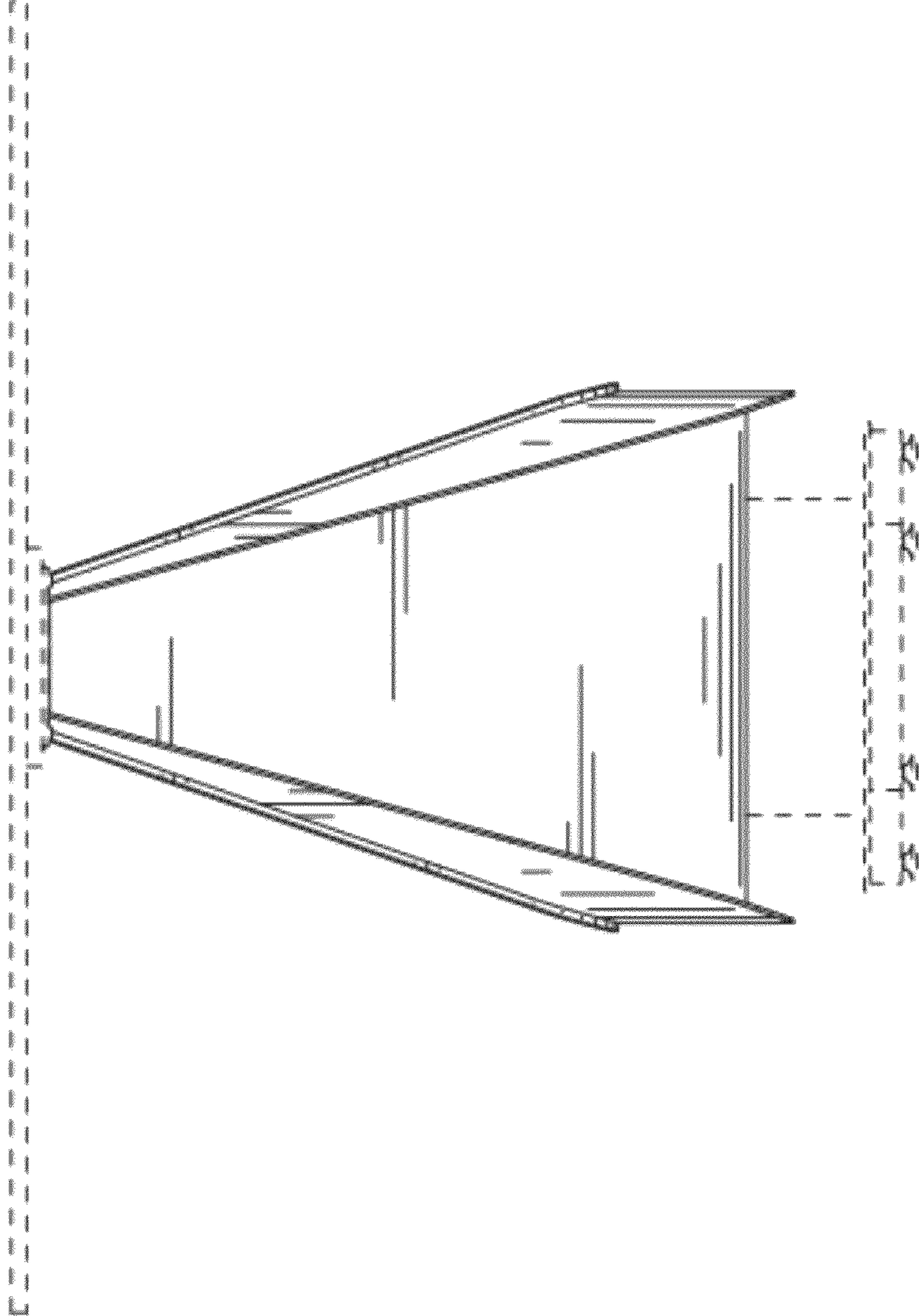


FIG. 9

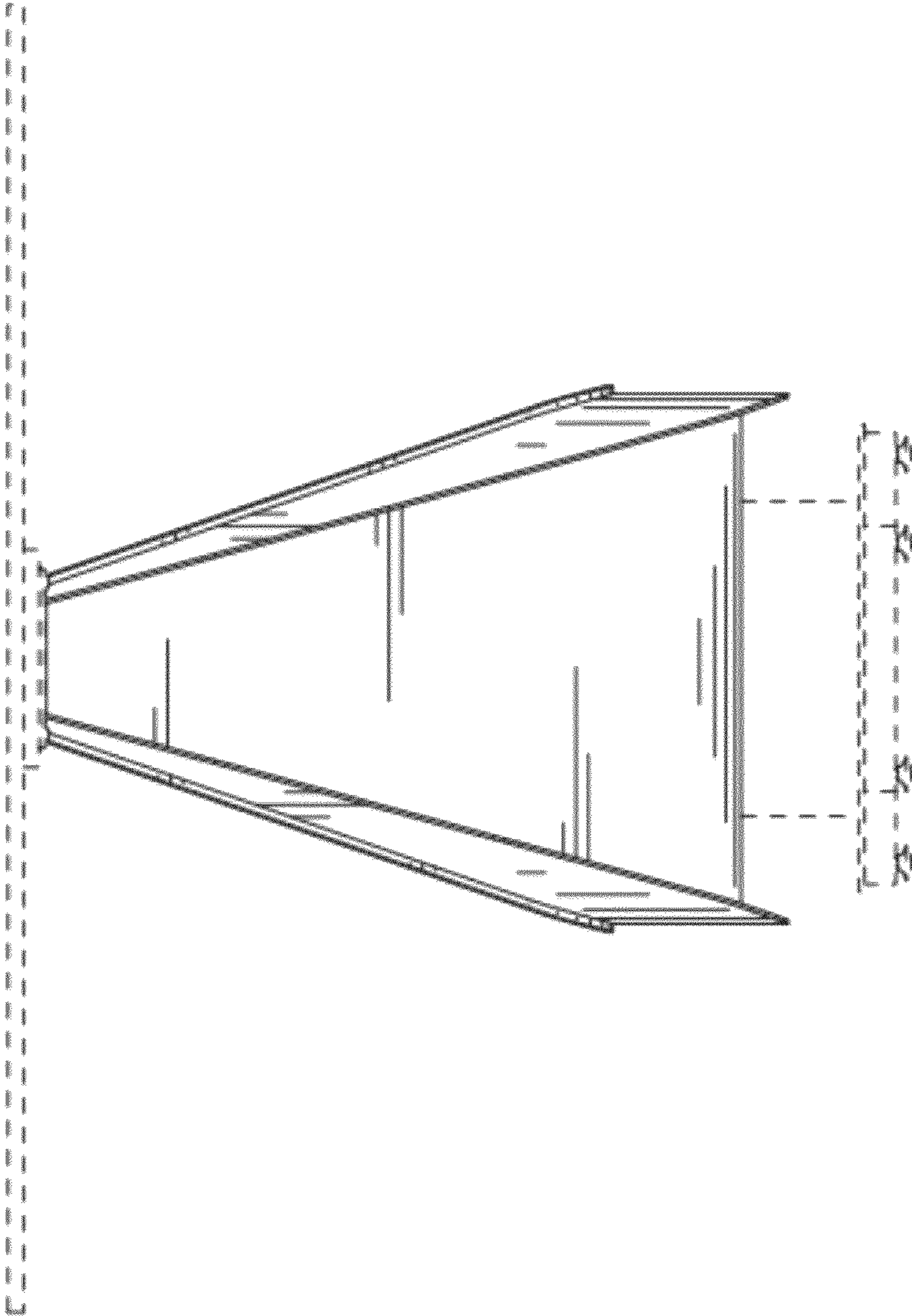


FIG. 10

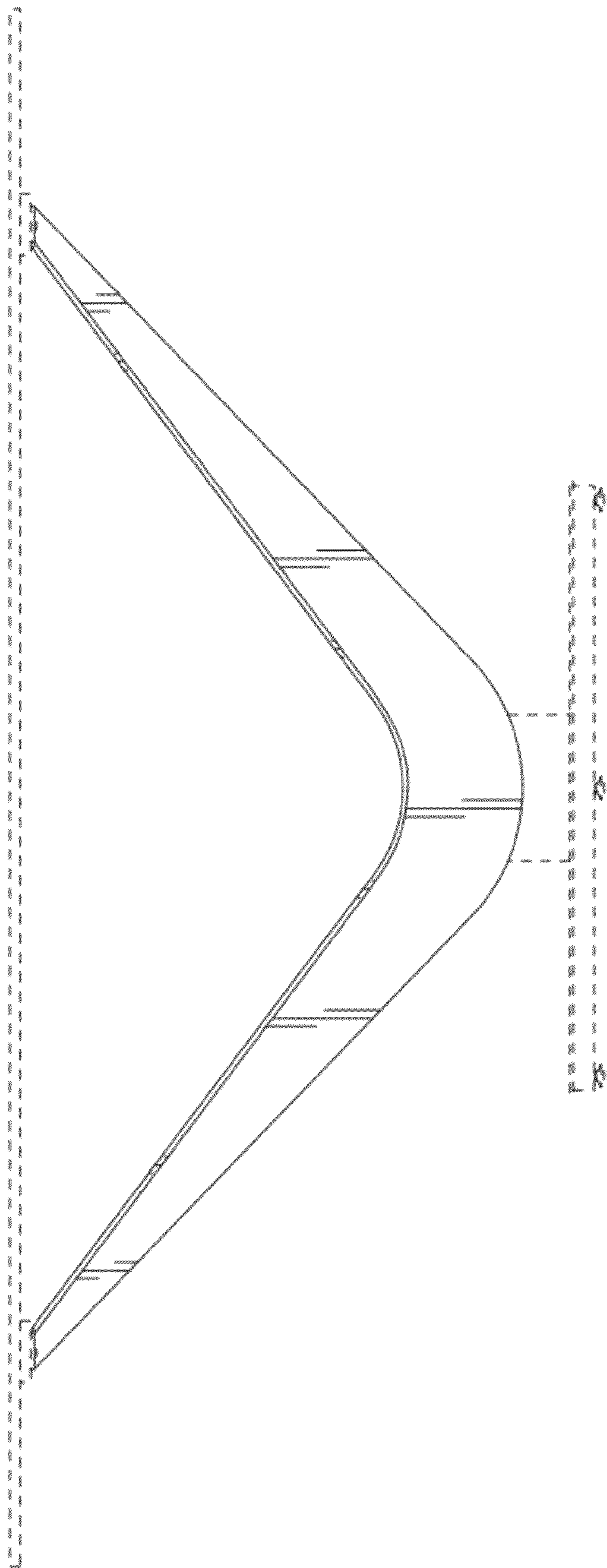


FIG. 11

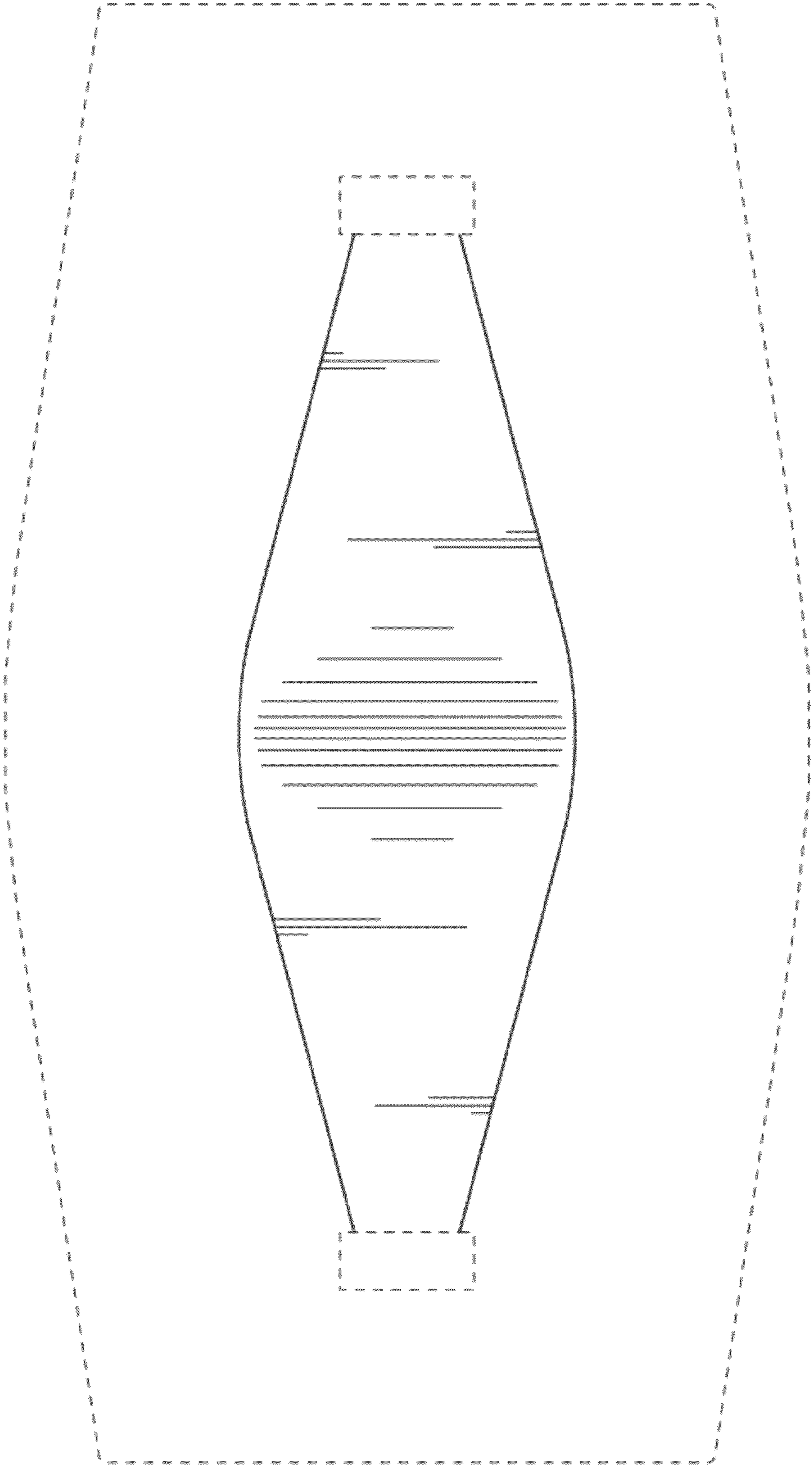


FIG. 12