



US00D665601S

(12) **United States Design Patent**
LeHew et al.

(10) **Patent No.:** **US D665,601 S**

(45) **Date of Patent:** **** Aug. 21, 2012**

(54) **FURNITURE STRUCTURE**

(75) Inventors: **Gregory Yun LeHew**, Delano, MN (US); **Bryn Renee Peterson**, Minneapolis, MN (US); **Chad Michael Bogdan**, St. Paul, MN (US); **Timothy Blake Kehoe**, Edina, MN (US); **William Bradley Peterson**, Minneapolis, MN (US)

(73) Assignee: **Target Brands, Inc.**, Minneapolis, MN (US)

(**) Term: **14 Years**

(21) Appl. No.: **29/392,431**

(22) Filed: **May 20, 2011**

(51) **LOC (9) Cl.** **06-01**

(52) **U.S. Cl.** **D6/495**

(58) **Field of Classification Search** D6/334-336, D6/364, 365, 369, 371, 373, 374, 375, 376, D6/378, 379, 380, 495, 499, 500-502; 248/188.1; 297/440.1, 440.14, 440.15, 445.1, 448.2, 297/451.4, 452.46

See application file for complete search history.

(56) **References Cited**

U.S. PATENT DOCUMENTS

D69,323 S * 1/1926 Karsh D6/495
(Continued)

OTHER PUBLICATIONS

Pattern Pick Me Up—Swide Magazine, <http://www.swide.com/luxury-magazine/Life/Good-s-/pattern-pick-me-up-by-christa-rose-falk/2011/2/16>, Feb. 16, 2011.

Primary Examiner — Mimosa De

(74) *Attorney, Agent, or Firm* — Leanne Taveggia Farrell; Westman, Champlin & Kelly, P.A.

(57) **CLAIM**

The ornamental design for a furniture structure, as shown and described.

DESCRIPTION

FIG. 1 is a perspective view of one embodiment of the furniture structure.

FIG. 2 is a perspective view of the furniture structure of FIG. 1 with unclaimed subject matter removed.

FIG. 3 is a front elevational view of the furniture structure of FIG. 1.

FIG. 4 is a rear elevational view of the furniture structure of FIG. 1.

FIG. 5 is a left side view of the furniture structure of FIG. 1.

FIG. 6 is a right side view of the furniture structure of FIG. 1.

FIG. 7 is a bottom view of the furniture structure of FIG. 1.

FIG. 8 is a top view of the furniture structure of FIG. 1.

FIG. 9 is a perspective view of a second embodiment of the furniture structure.

FIG. 10 is a perspective view of the furniture structure of FIG. 9 with unclaimed subject matter removed.

FIG. 11 is a front elevational view of the furniture structure of FIG. 9.

FIG. 12 is a rear elevational view of the furniture structure of FIG. 9.

FIG. 13 is a left side view of the furniture structure of FIG. 9.

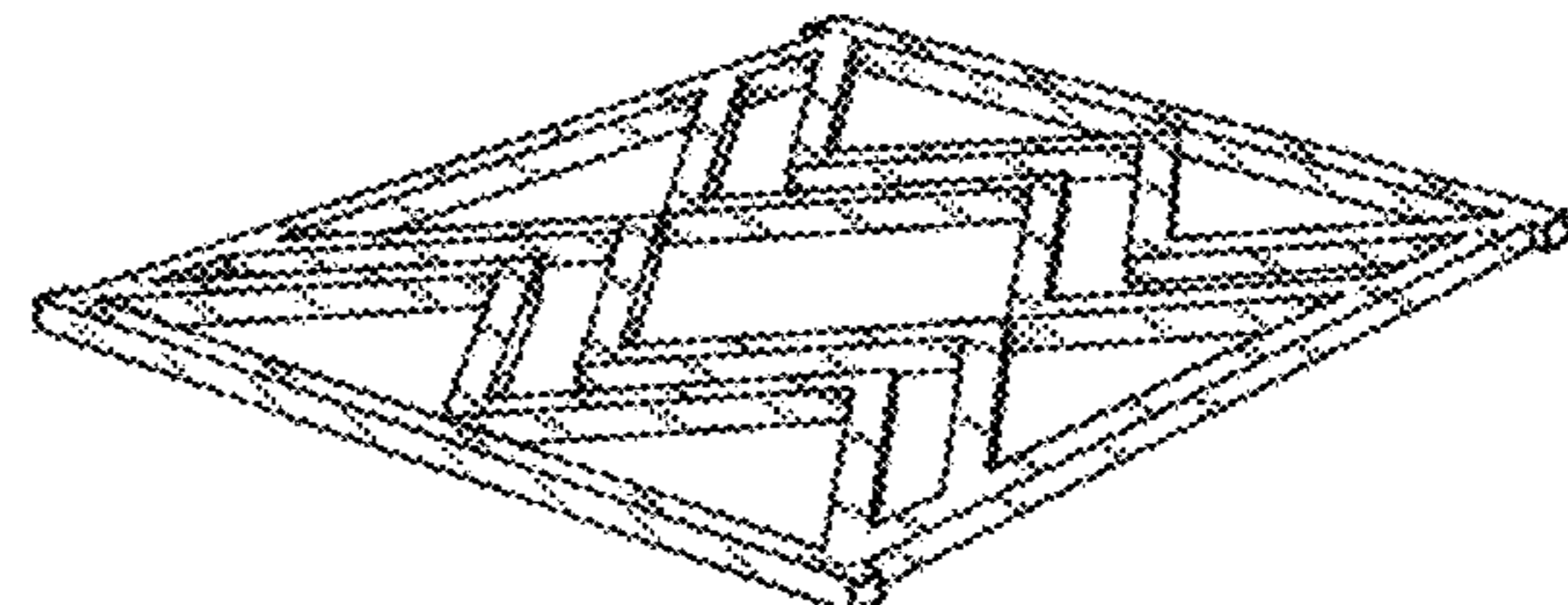
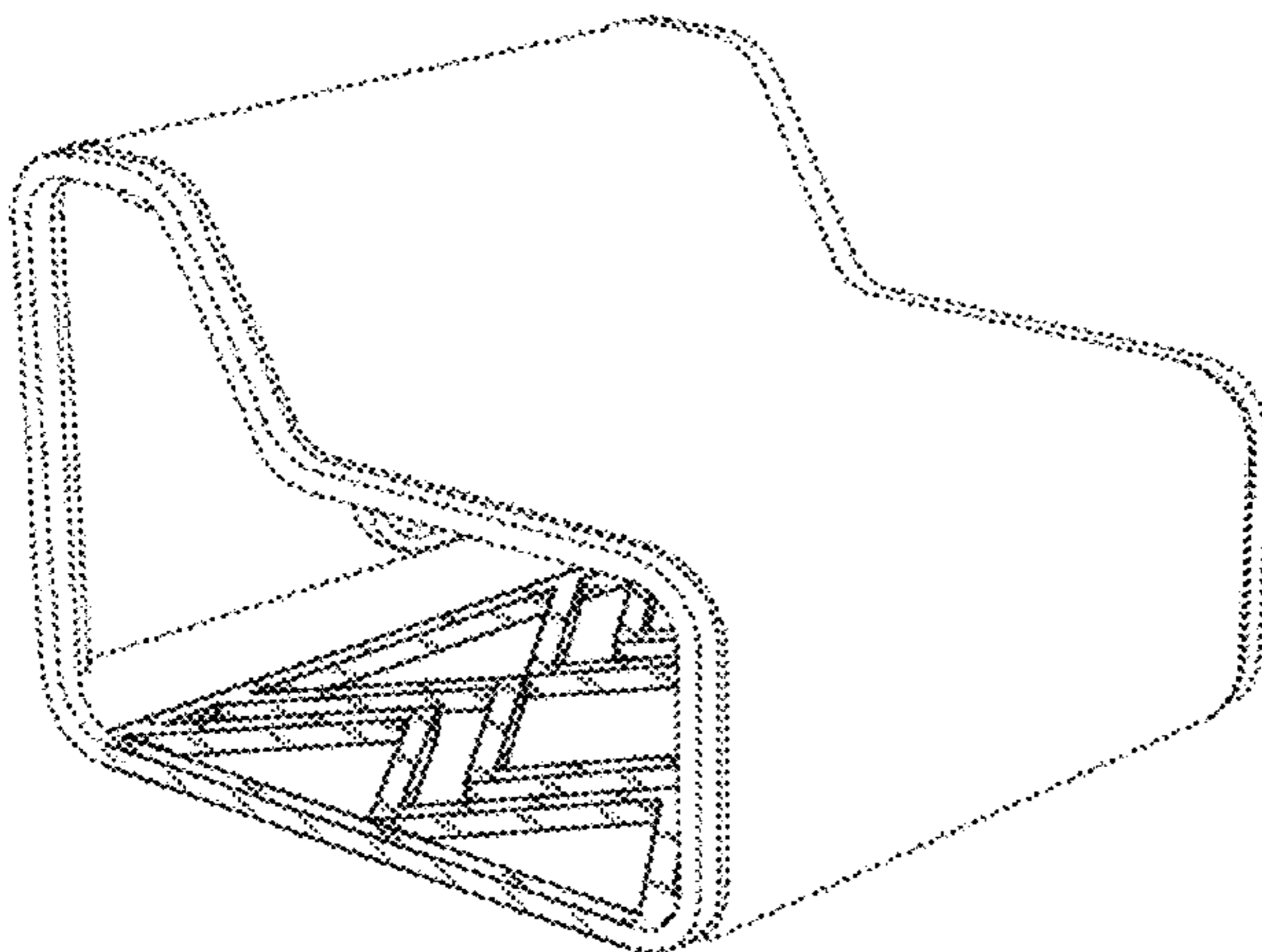
FIG. 14 is a right side view of the furniture structure of FIG. 9.

FIG. 15 is a bottom view of the furniture structure of FIG. 9; and,

FIG. 16 is a top view of the furniture structure of FIG. 9.

The broken lines in FIGS. 1, 3-9, and 11-16 form no part of the claimed design.

1 Claim, 10 Drawing Sheets



US D665,601 S

Page 2

U.S. PATENT DOCUMENTS

D96,029	S	*	6/1935	Fox	D6/495	D468,562	S	*	1/2003	Chang	D6/495
D132,793	S	*	6/1942	Reiss	D6/364	D486,665	S	*	2/2004	Weaver	D6/499
D197,967	S	*	4/1964	Waitzman	D6/495	D641,185	S	*	7/2011	Schopmeyer	D6/495
D243,728	S	*	3/1977	Offredi	D6/364	7,988,236	B2	*	8/2011	Brandtner	297/440.1
D252,120	S	*	6/1979	O'Connor	D6/495	D649,382	S	*	11/2011	Schopmeyer	D6/495
4,305,616	A	*	12/1981	Martinez	297/440.15	8,066,244	B2	*	11/2011	Hsieh	248/188.1
D319,747	S	*	9/1991	Bales et al.	D6/495							

* cited by examiner

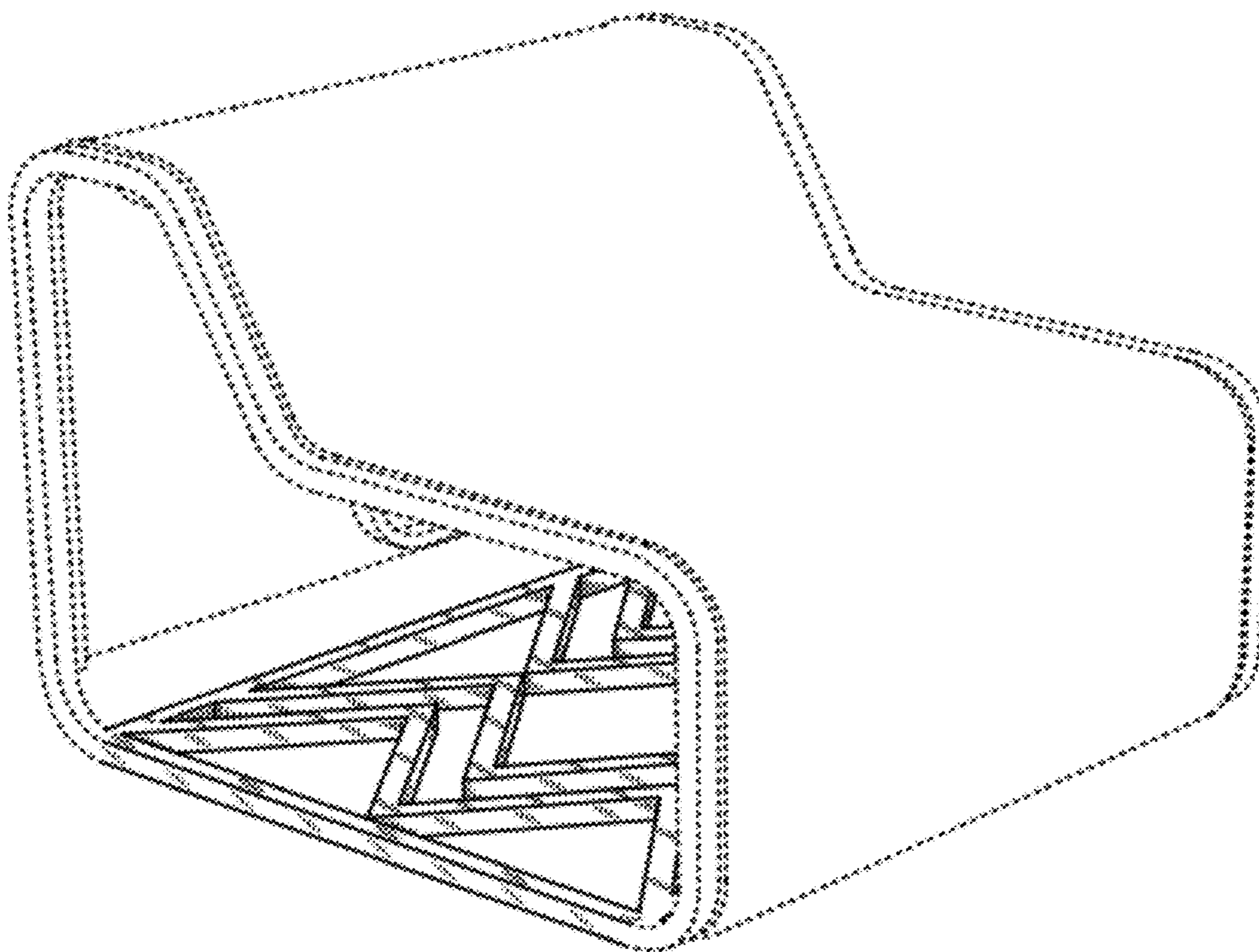


Fig. 1

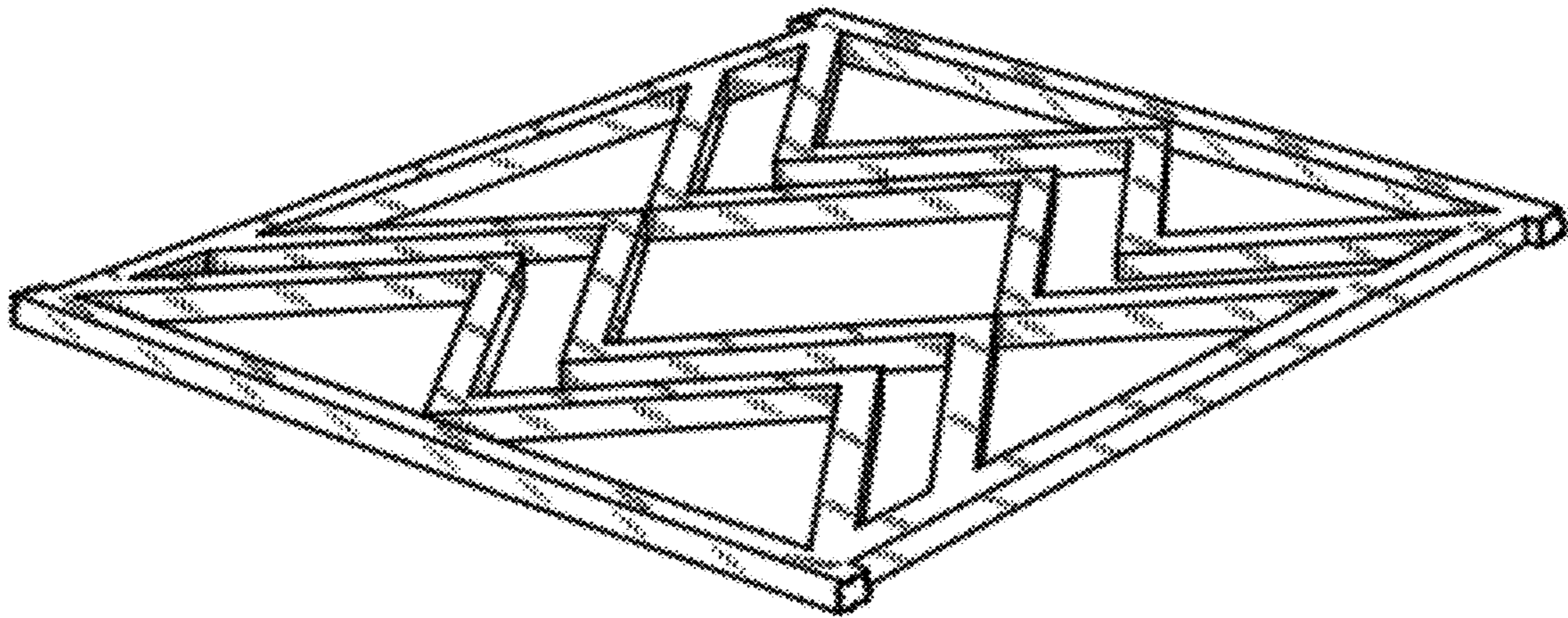


Fig. 2



Fig. 3



Fig. 4

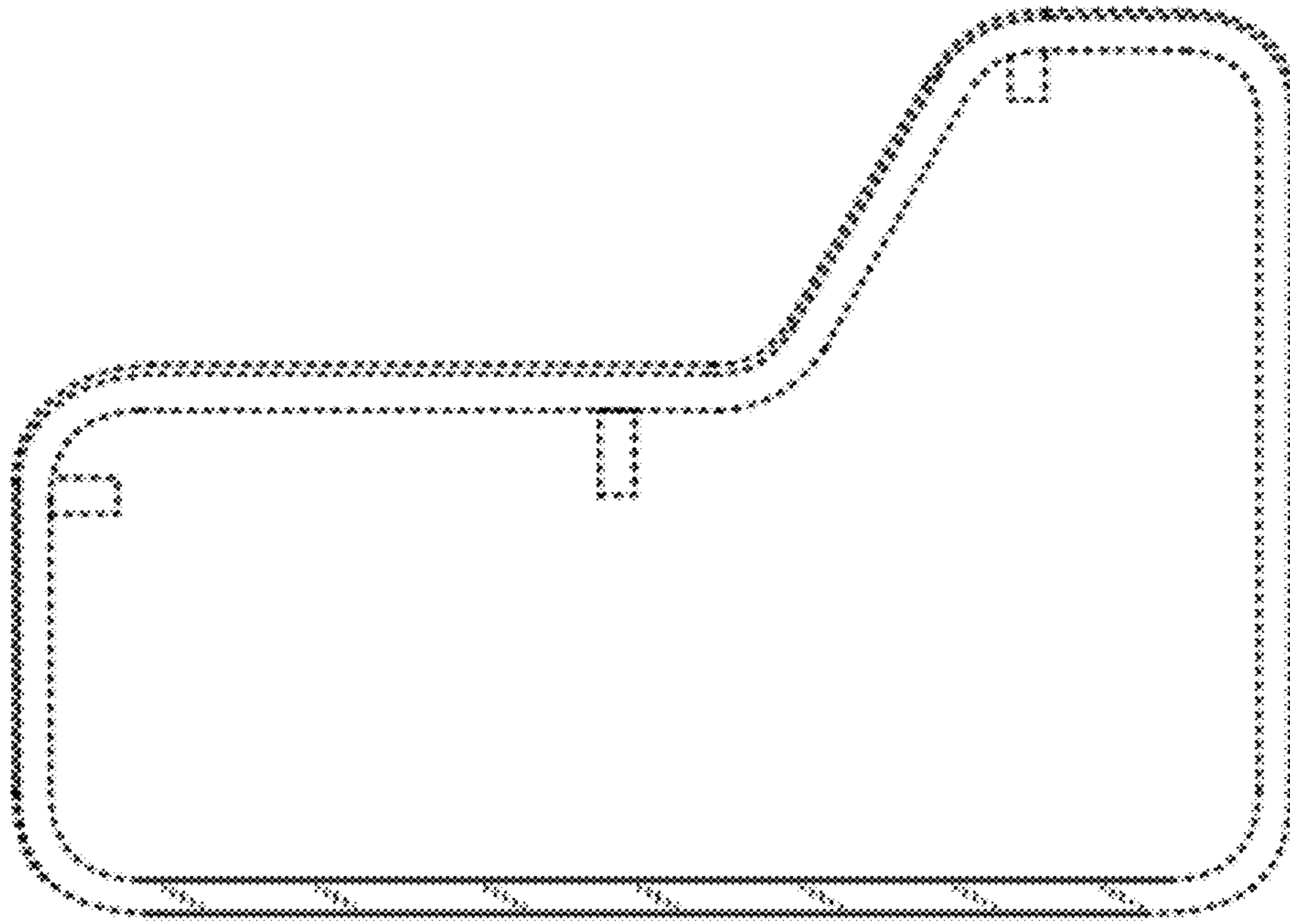


Fig. 5

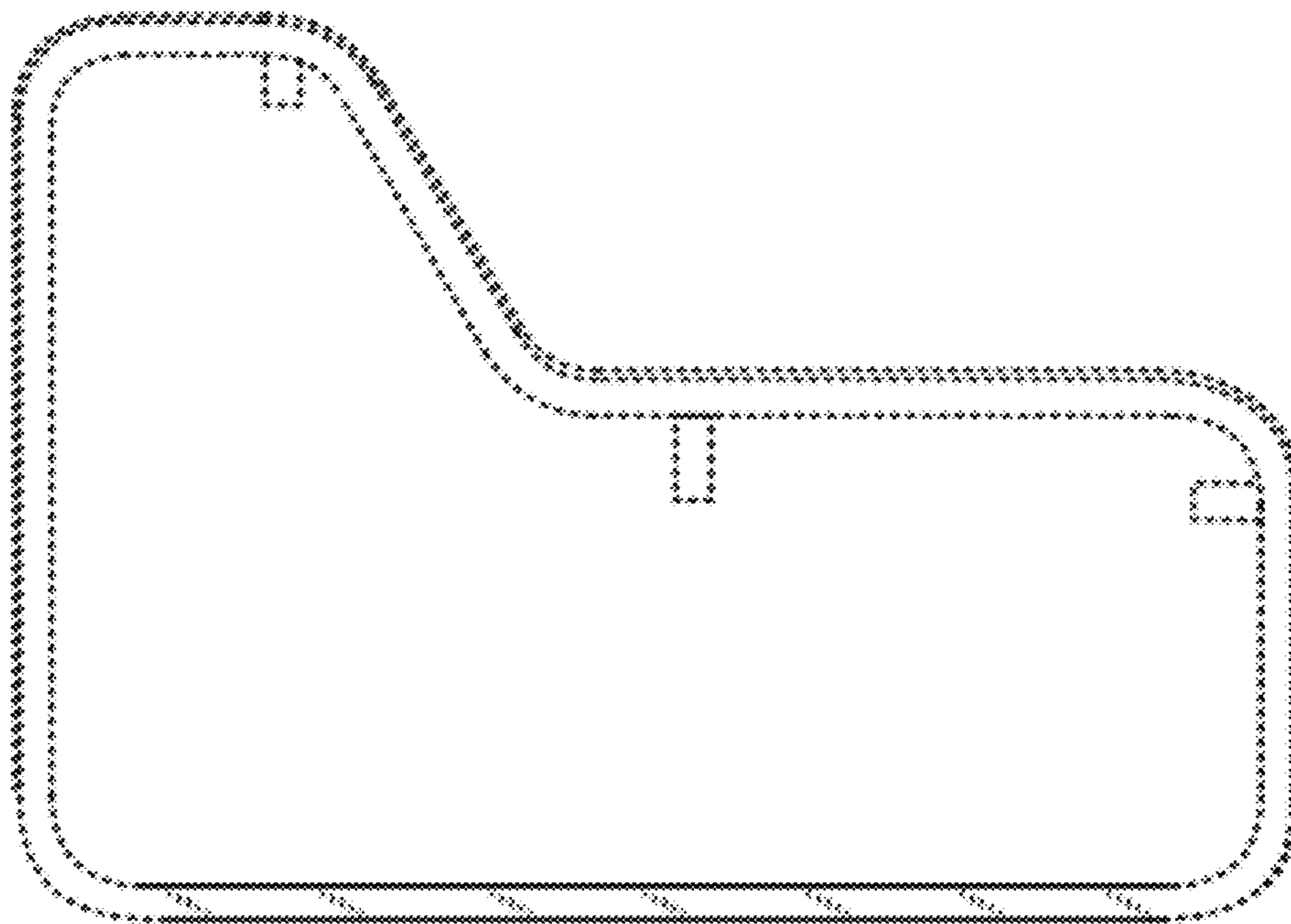


Fig. 6

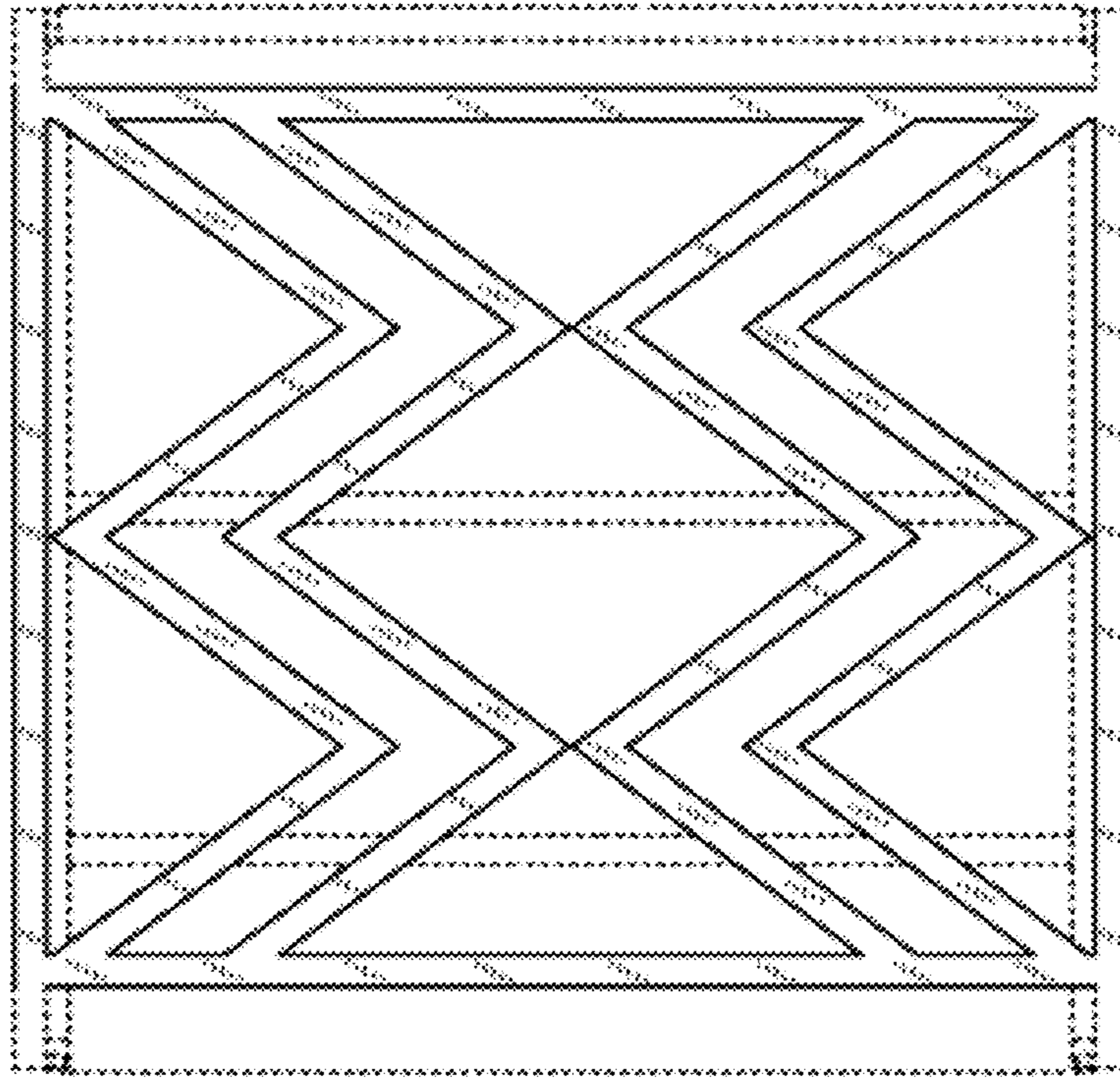


Fig. 7

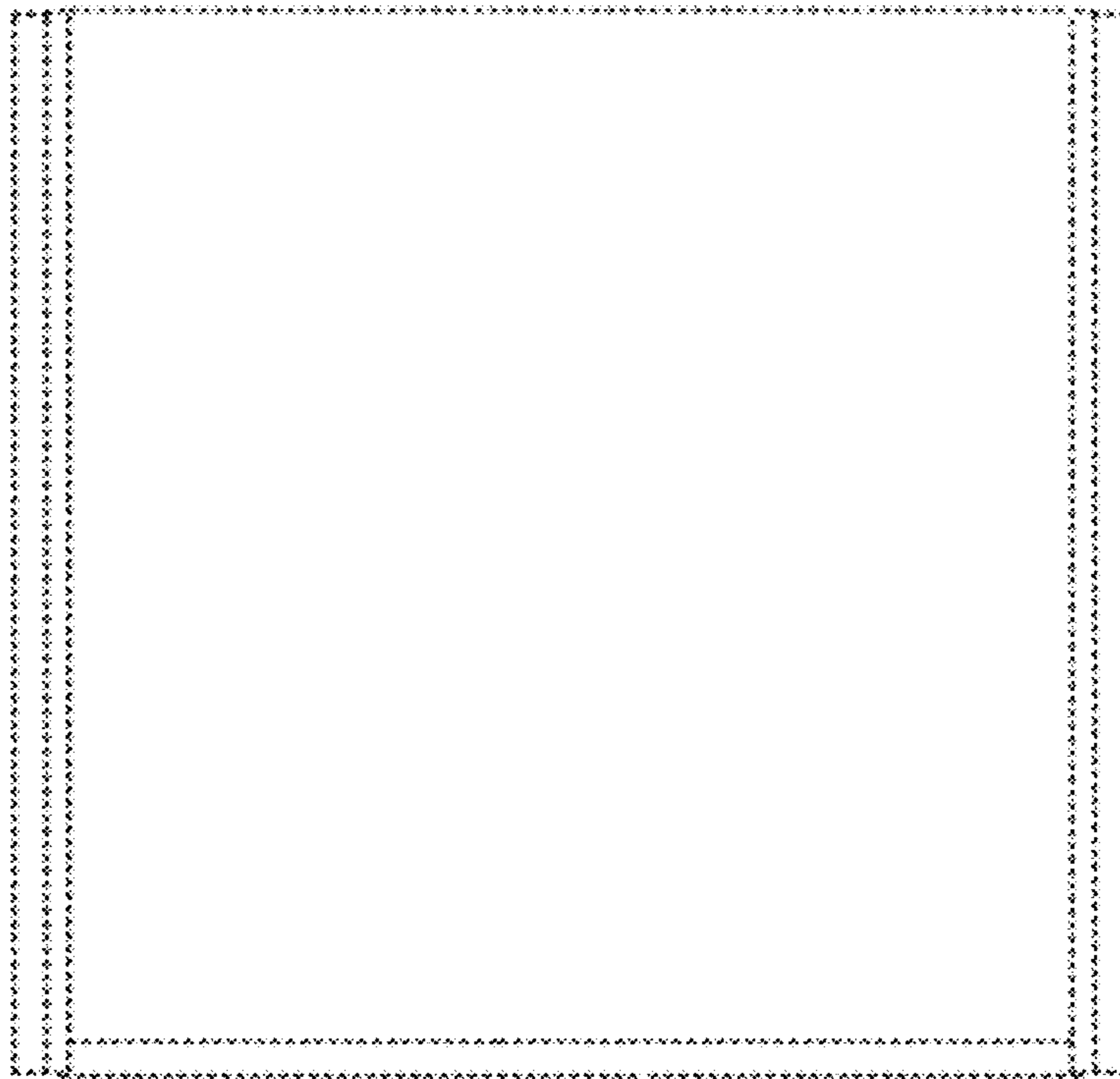


Fig. 8

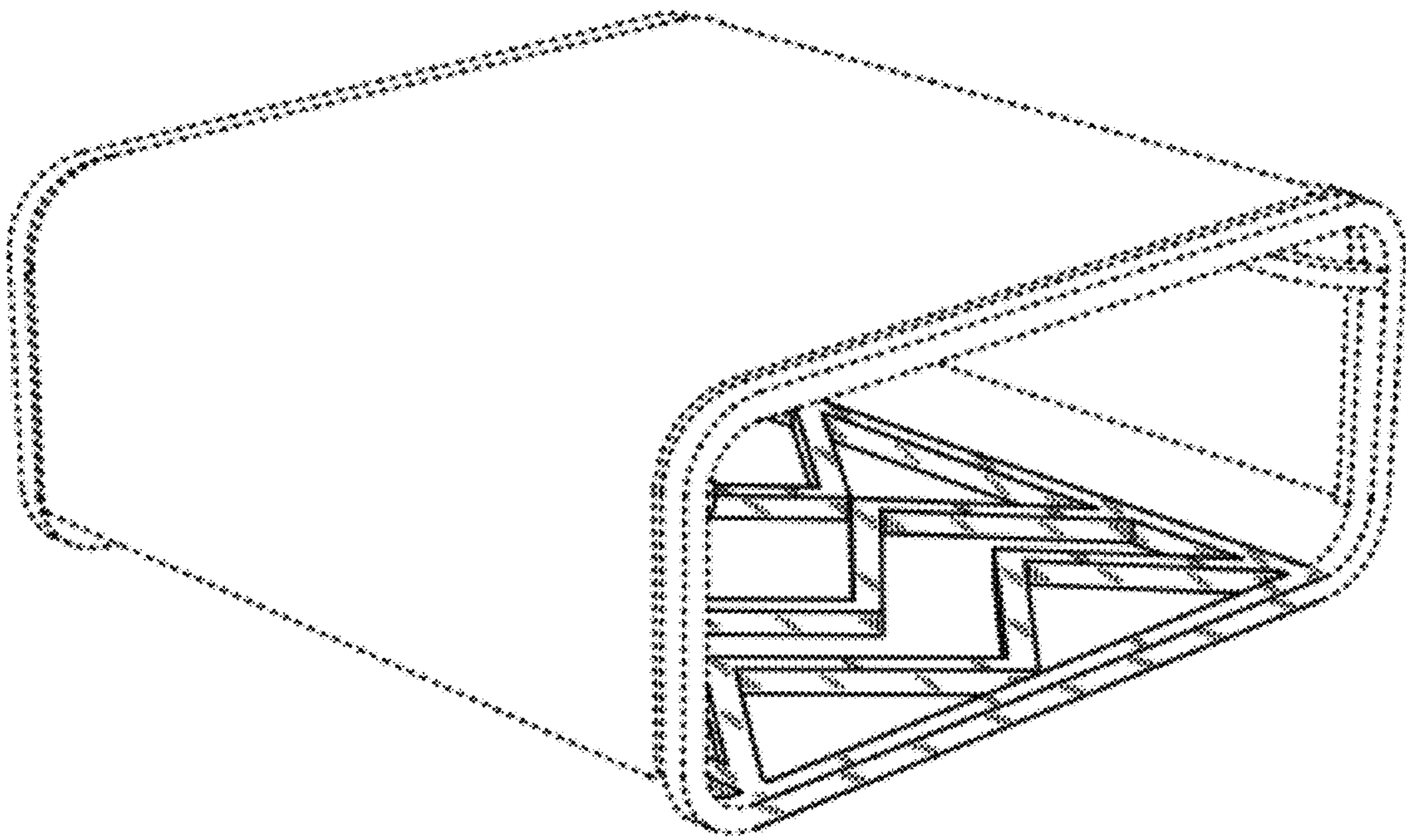


Fig. 9

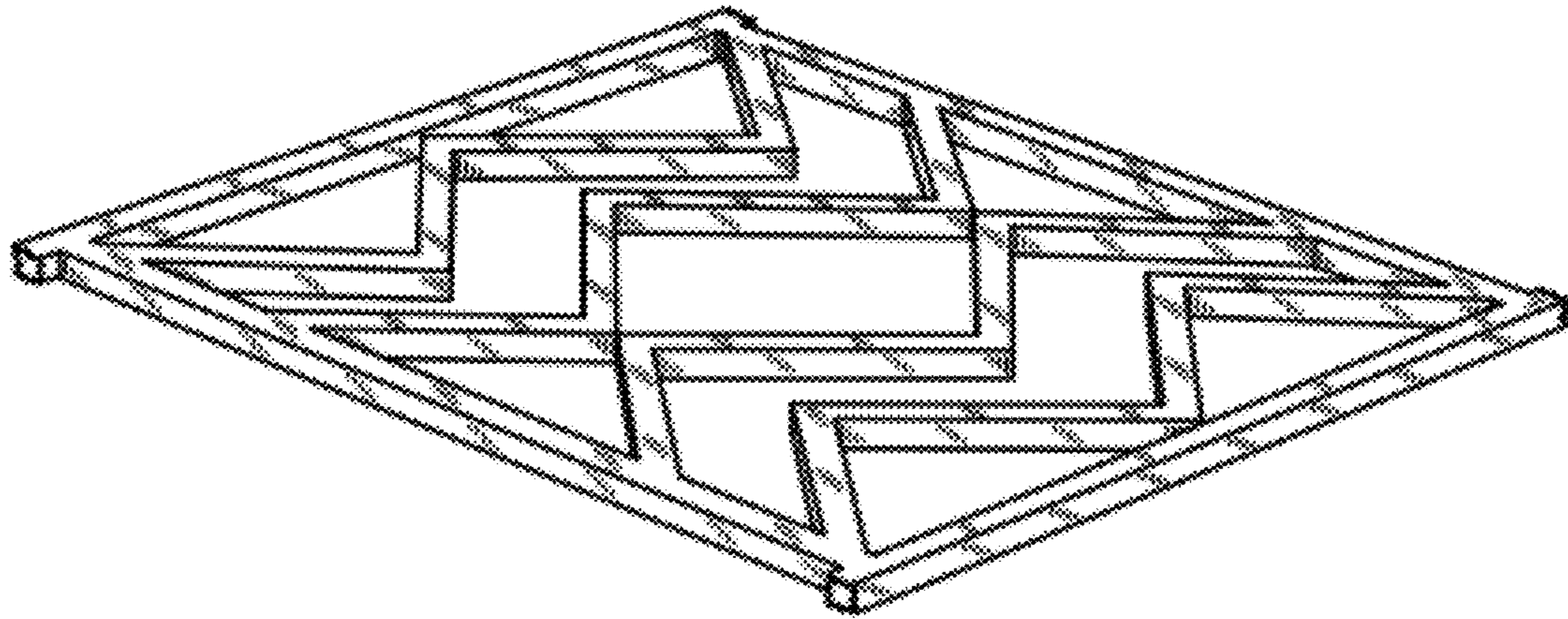


Fig. 10

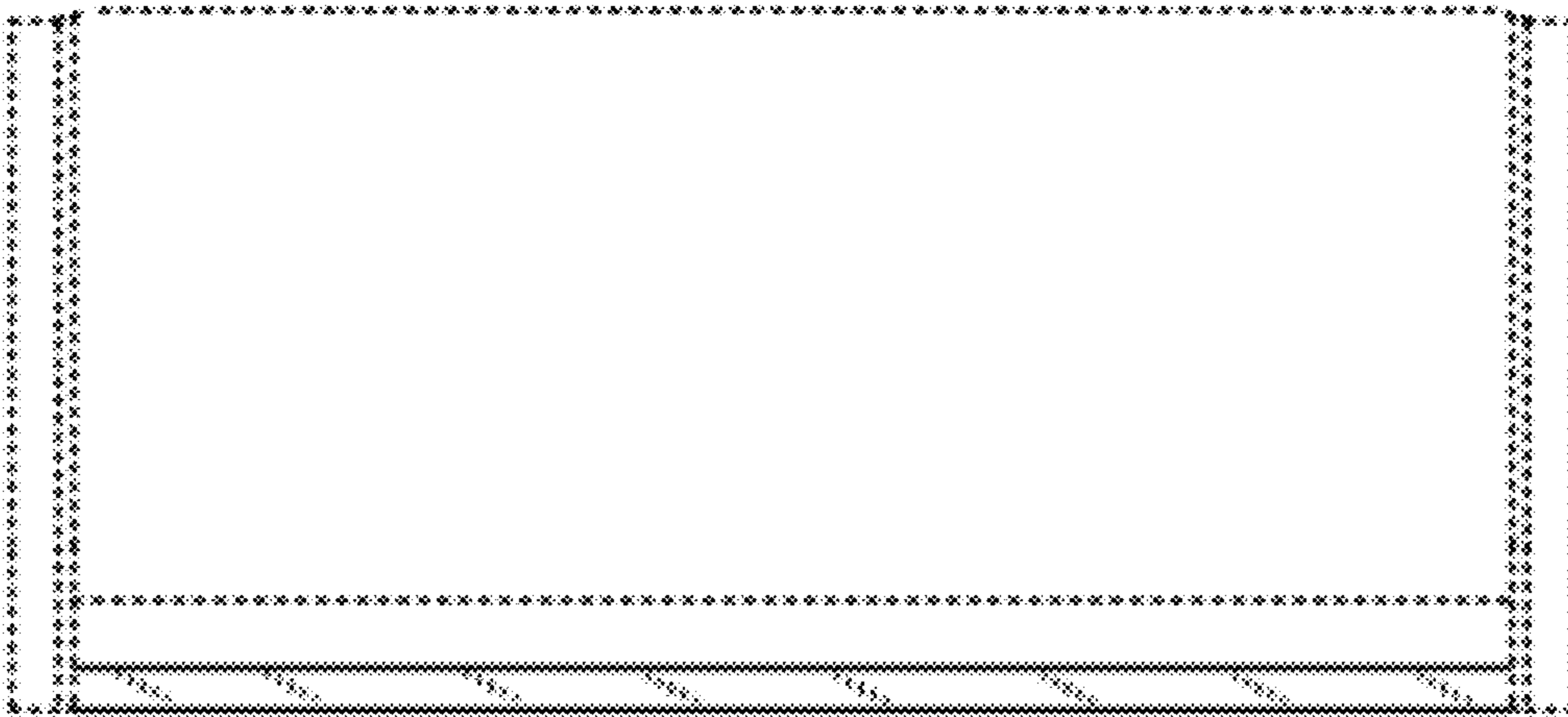


Fig. 11

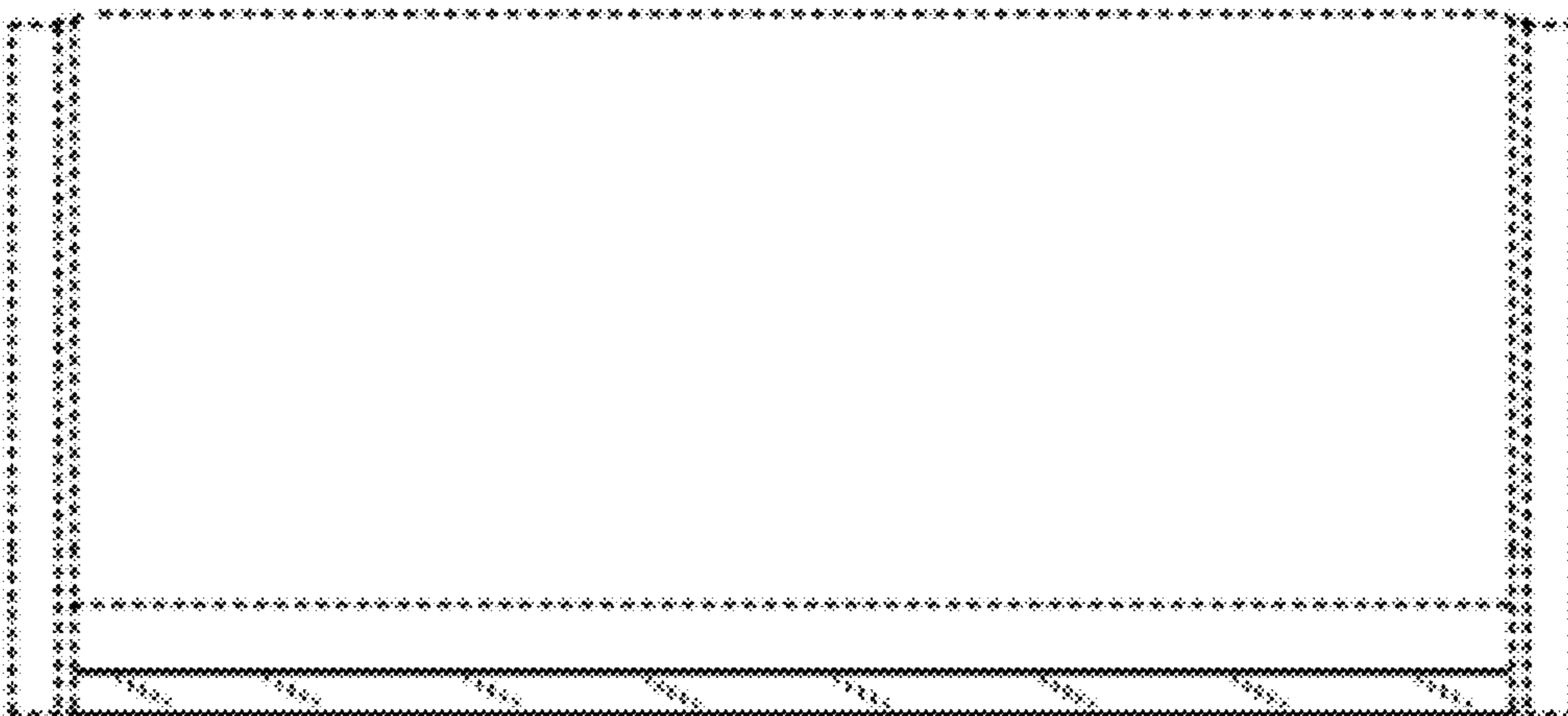


Fig. 12

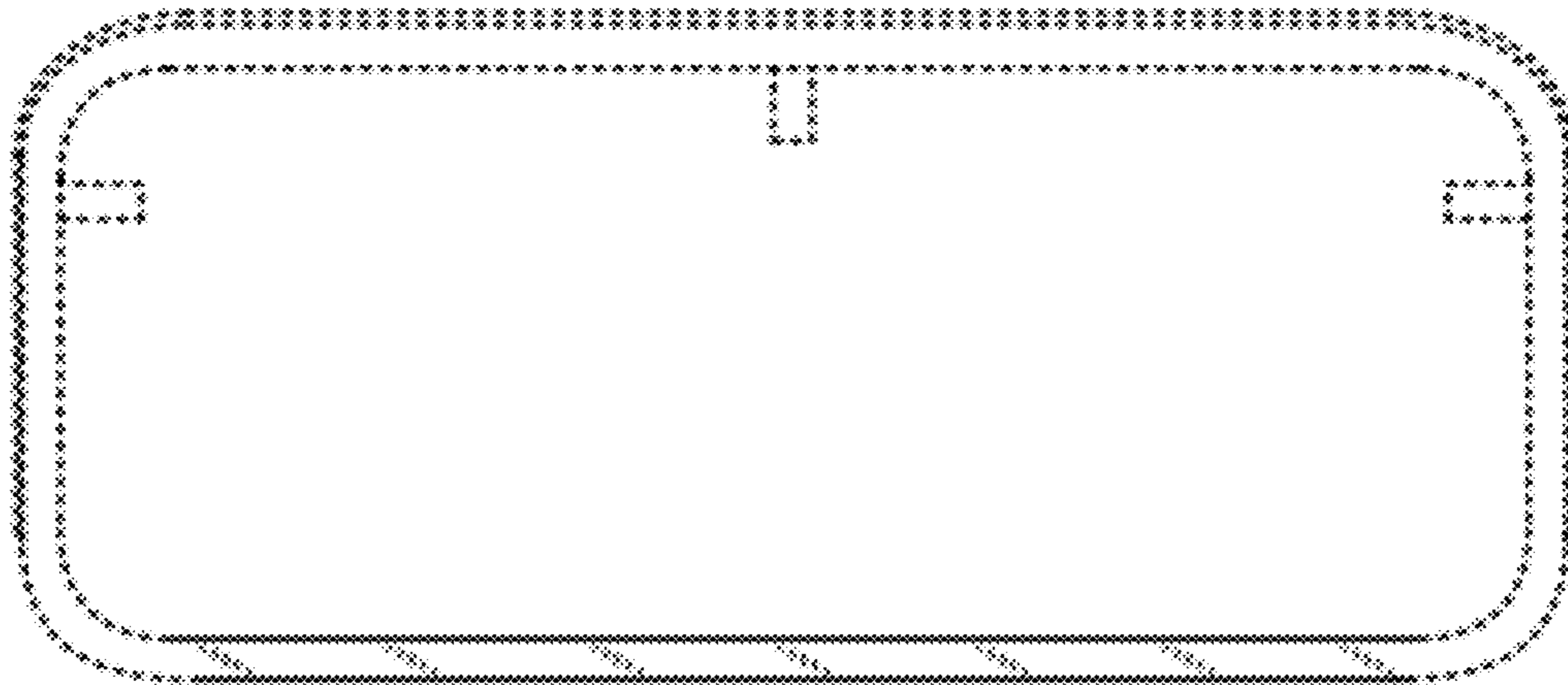


Fig. 13

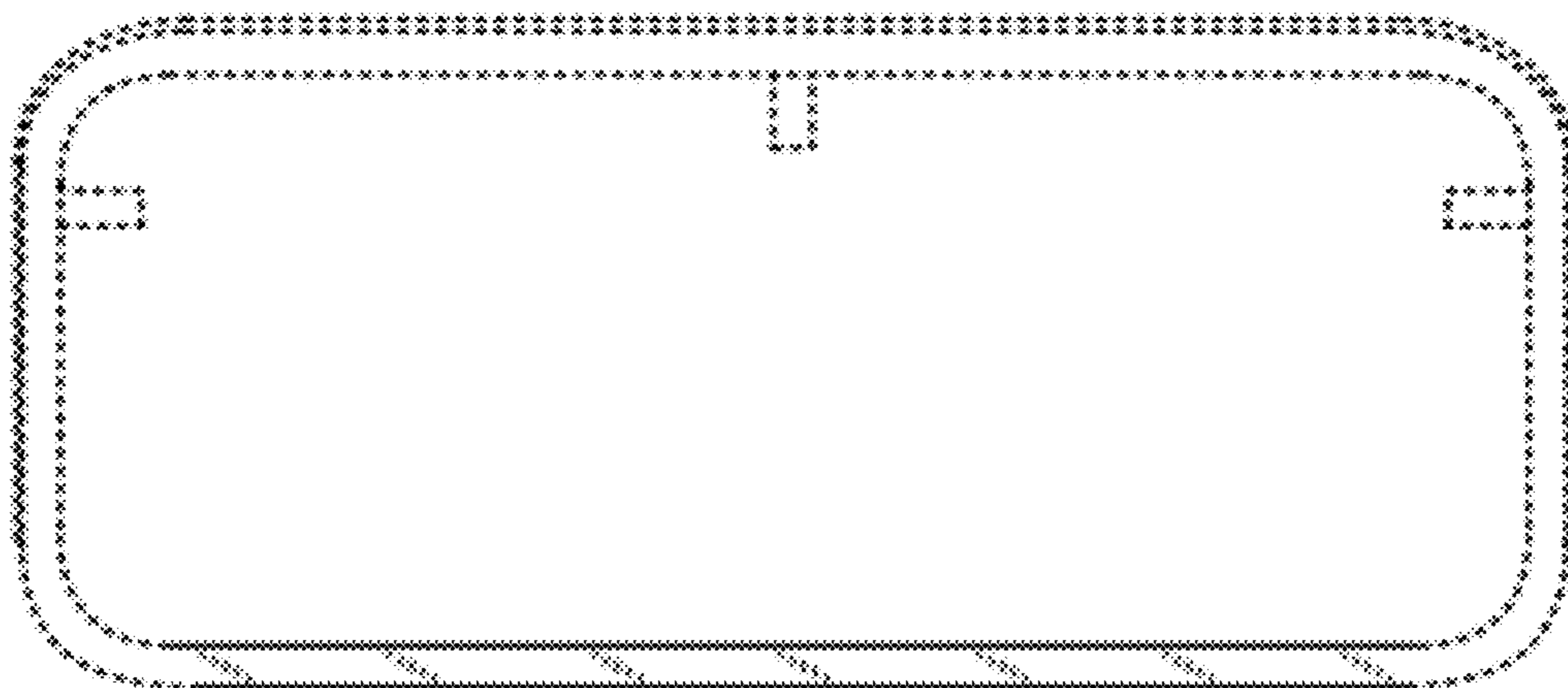


Fig. 14

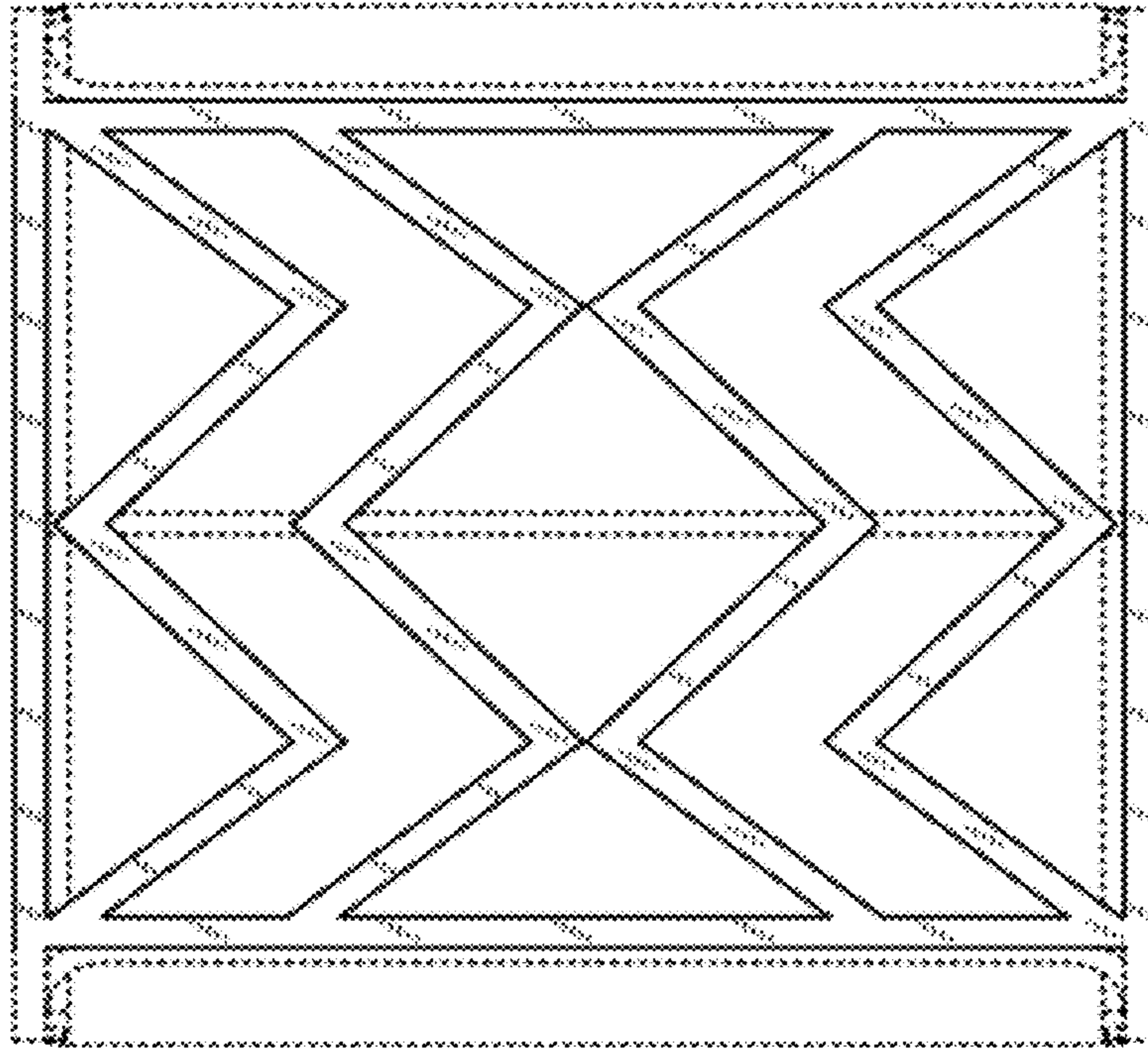


Fig. 15

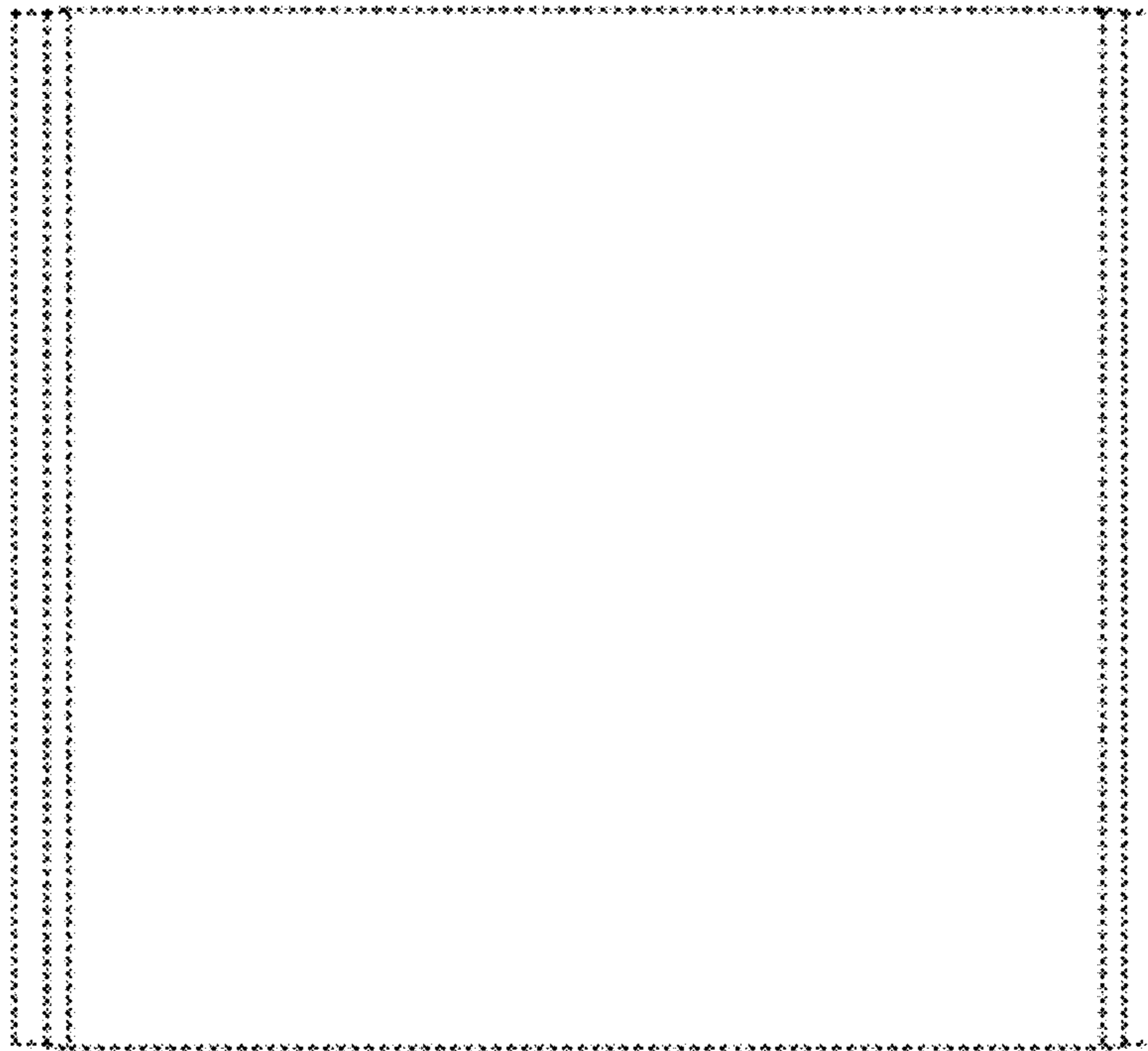


Fig. 16