



US00D665600S

(12) **United States Design Patent**
Bielmann

(10) **Patent No.:** **US D665,600 S**

(45) **Date of Patent:** **** Aug. 21, 2012**

(54) **CABINET**

(76) Inventor: **Phillip Bielmann**, London (CA)

(**) Term: **14 Years**

(21) Appl. No.: **29/339,144**

(22) Filed: **Jun. 24, 2009**

(51) **LOC (9) Cl.** **06-04**

(52) **U.S. Cl.** **D6/492**

(58) **Field of Classification Search** D6/396,
D6/397, 432-448, 492, 494, 509, 510, 511,
D6/552, 559, 561; 312/107, 109, 138.1,
312/198, 204, 220, 237, 242-245, 249.1,
312/249.8, 257.1, 348.4; D25/47, 48
See application file for complete search history.

(56) **References Cited**

U.S. PATENT DOCUMENTS

2,424,217	A *	7/1947	Bales	312/257.1
3,023,068	A *	2/1962	Haag	312/263
D242,968	S *	1/1977	Gulick	D6/446
D365,225	S *	12/1995	Poortvliet et al.	D6/446
D397,262	S *	8/1998	Thomas	D6/446
D407,385	S *	3/1999	Belanger et al.	D14/308

D435,741	S *	1/2001	Schlereth	D6/446
D459,614	S *	7/2002	Grosfillex	D6/446
D520,264	S *	5/2006	Mehmen et al.	D6/441
D591,076	S *	4/2009	Guizzardi	D6/432
D609,936	S *	2/2010	Haimoff	D6/432

* cited by examiner

Primary Examiner — Zenia Bennett

(74) *Attorney, Agent, or Firm* — Brunet & Co. Ltd.; Robert A. H. Brunet

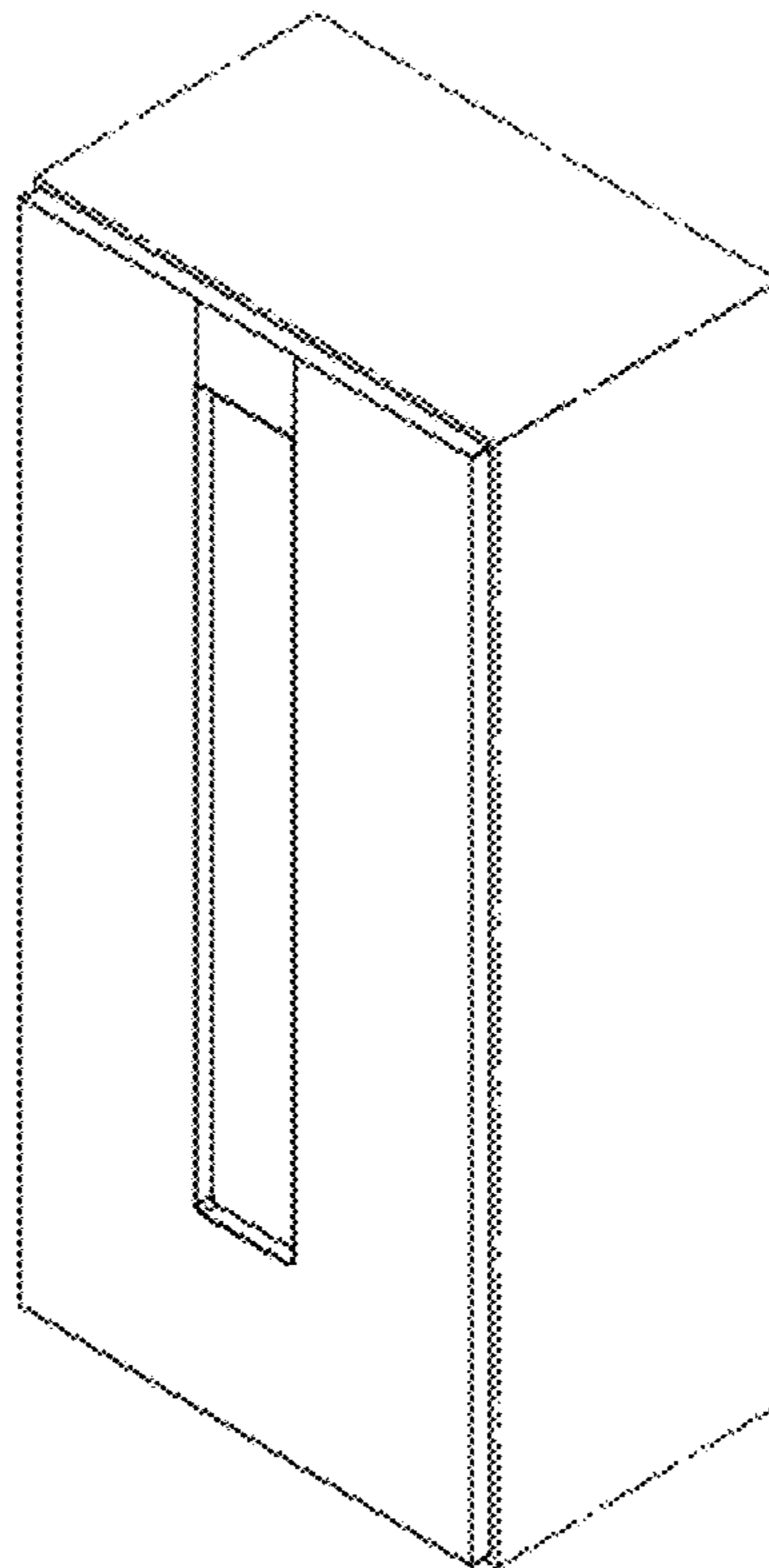
(57) **CLAIM**

The ornamental design for a cabinet, as shown and described.

DESCRIPTION

FIG. 1 is a front view of the cabinet having a door with a recessed center panel;
FIG. 2 is a top view of the cabinet of FIG. 1;
FIG. 3 is a right side view of the cabinet of FIG. 1;
FIG. 4 is a left side view of the cabinet of FIG. 1;
FIG. 5 is a rear view of the cabinet of FIG. 1;
FIG. 6 is a bottom view of the cabinet of FIG. 1; and,
FIG. 7 is a perspective view of the cabinet of FIG. 1.
The broken lines in the drawing are for illustrative purposes only and form no part of the claimed design.

1 Claim, 7 Drawing Sheets



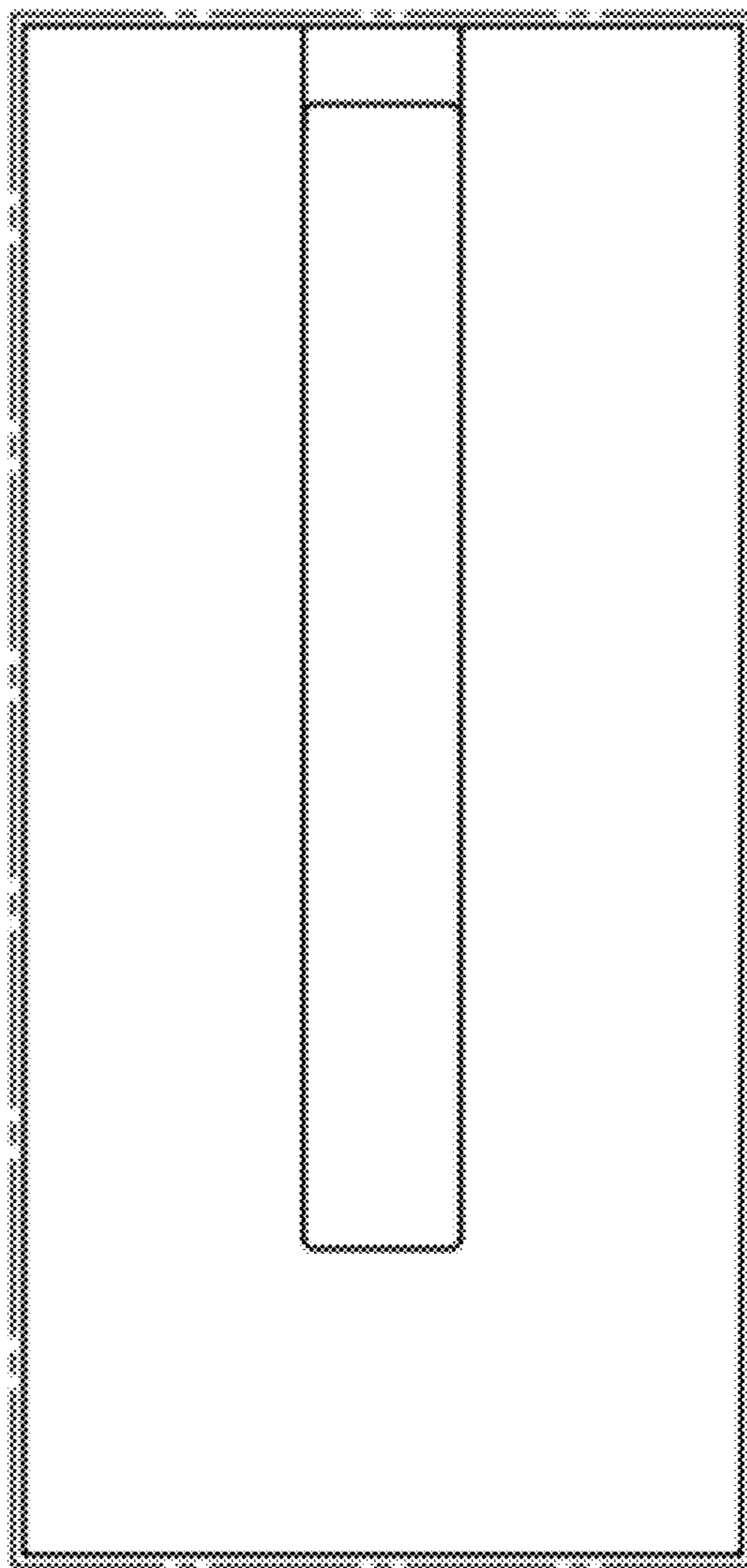


Figure 1

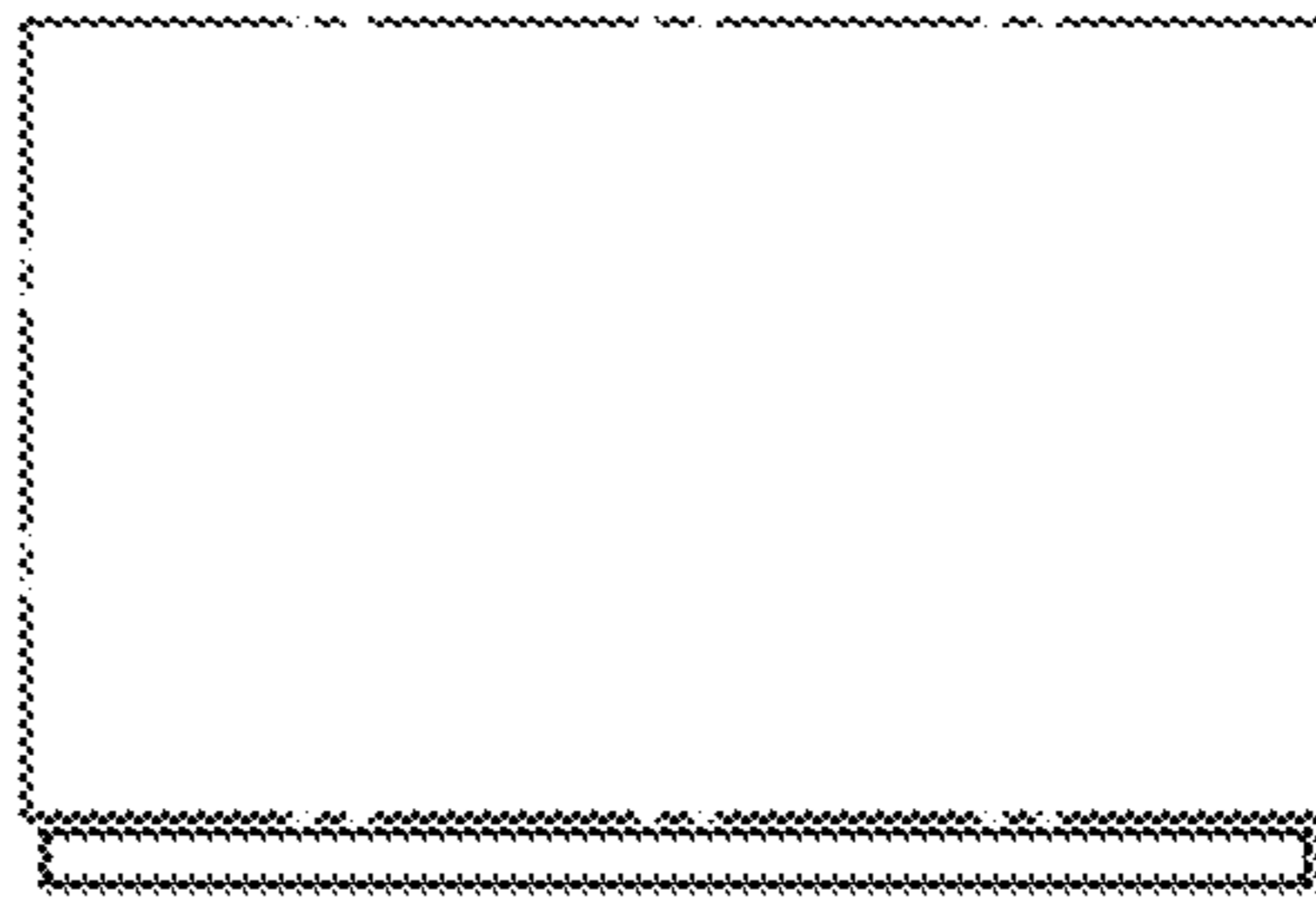


Figure 2

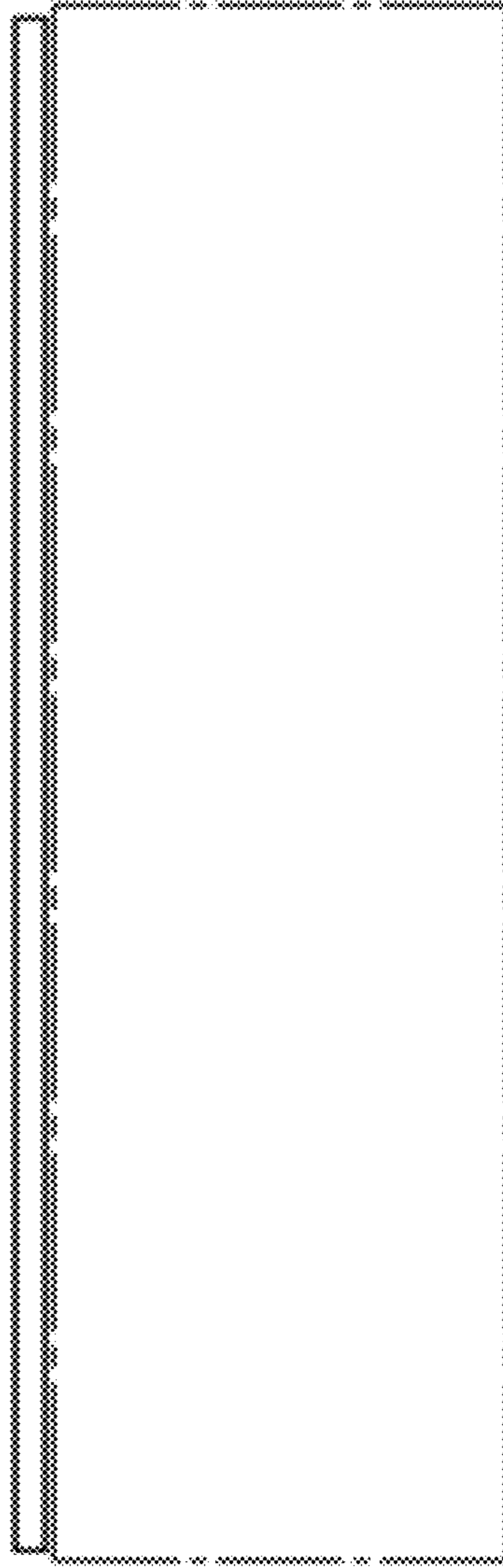


Figure 3

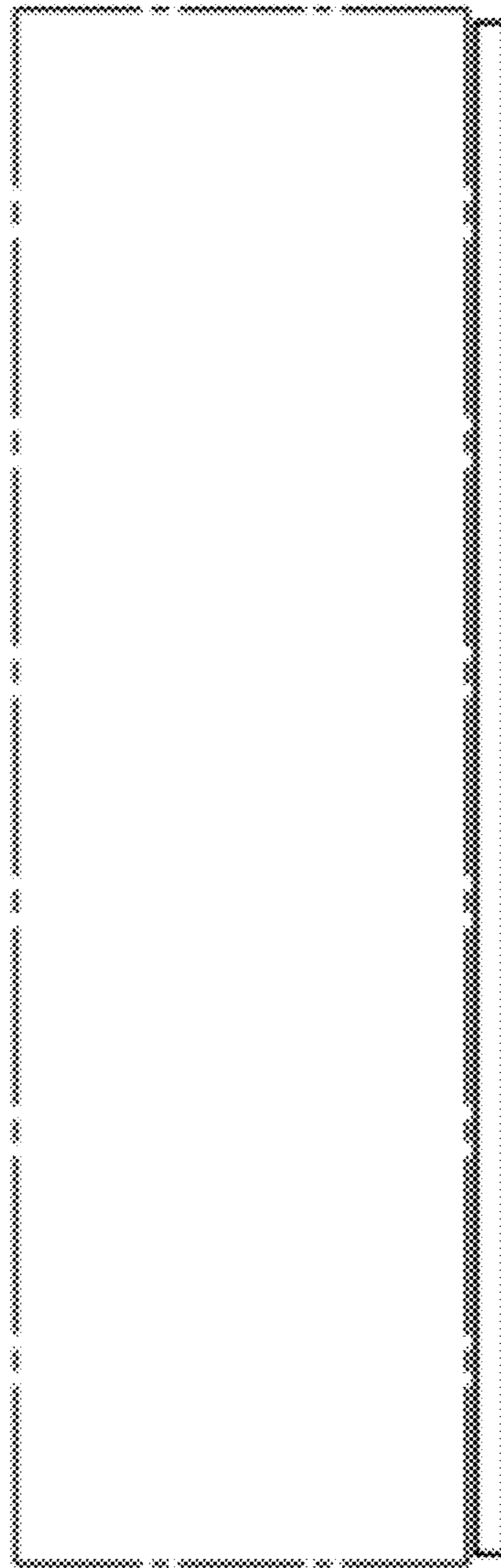


Figure 4

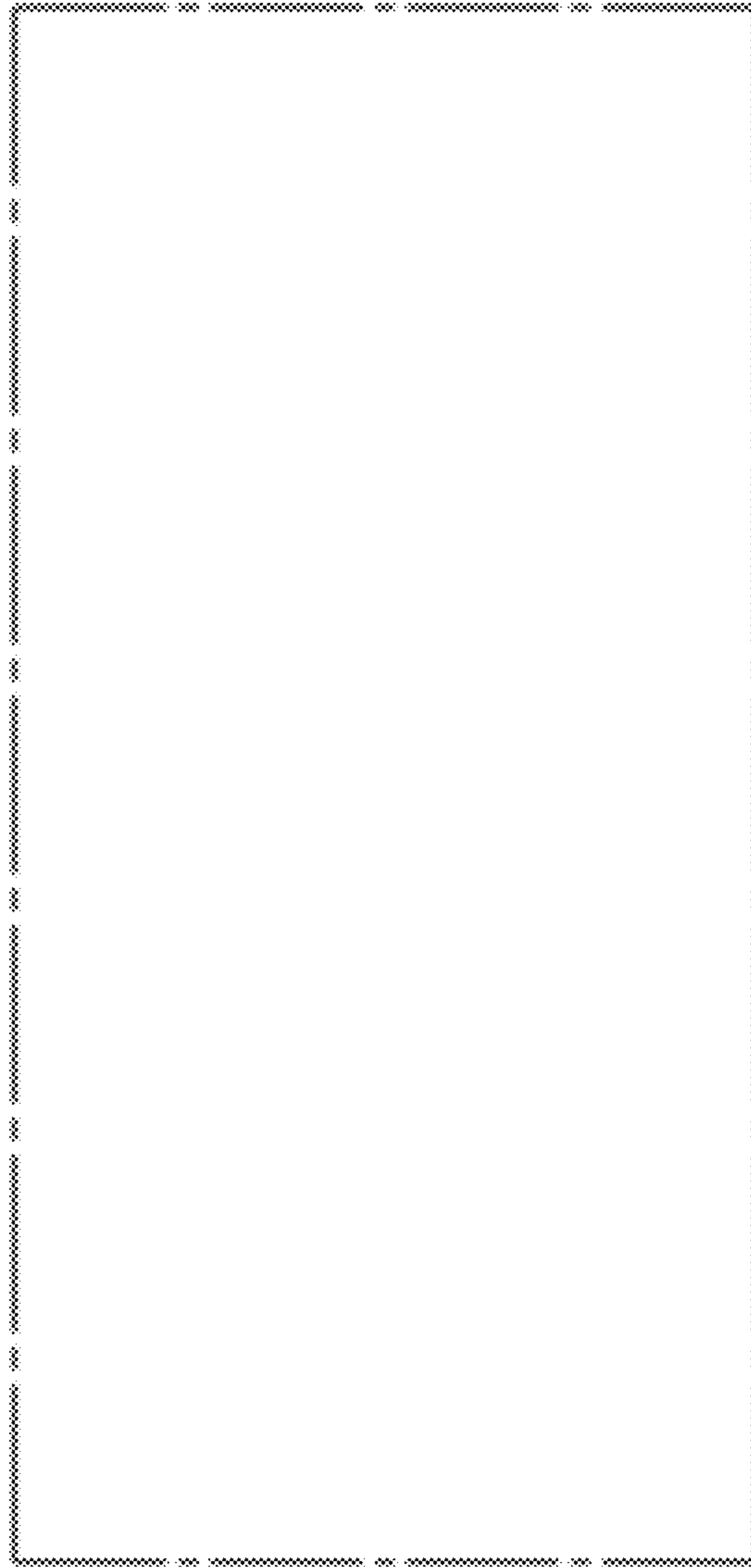


Figure 5



Figure 6

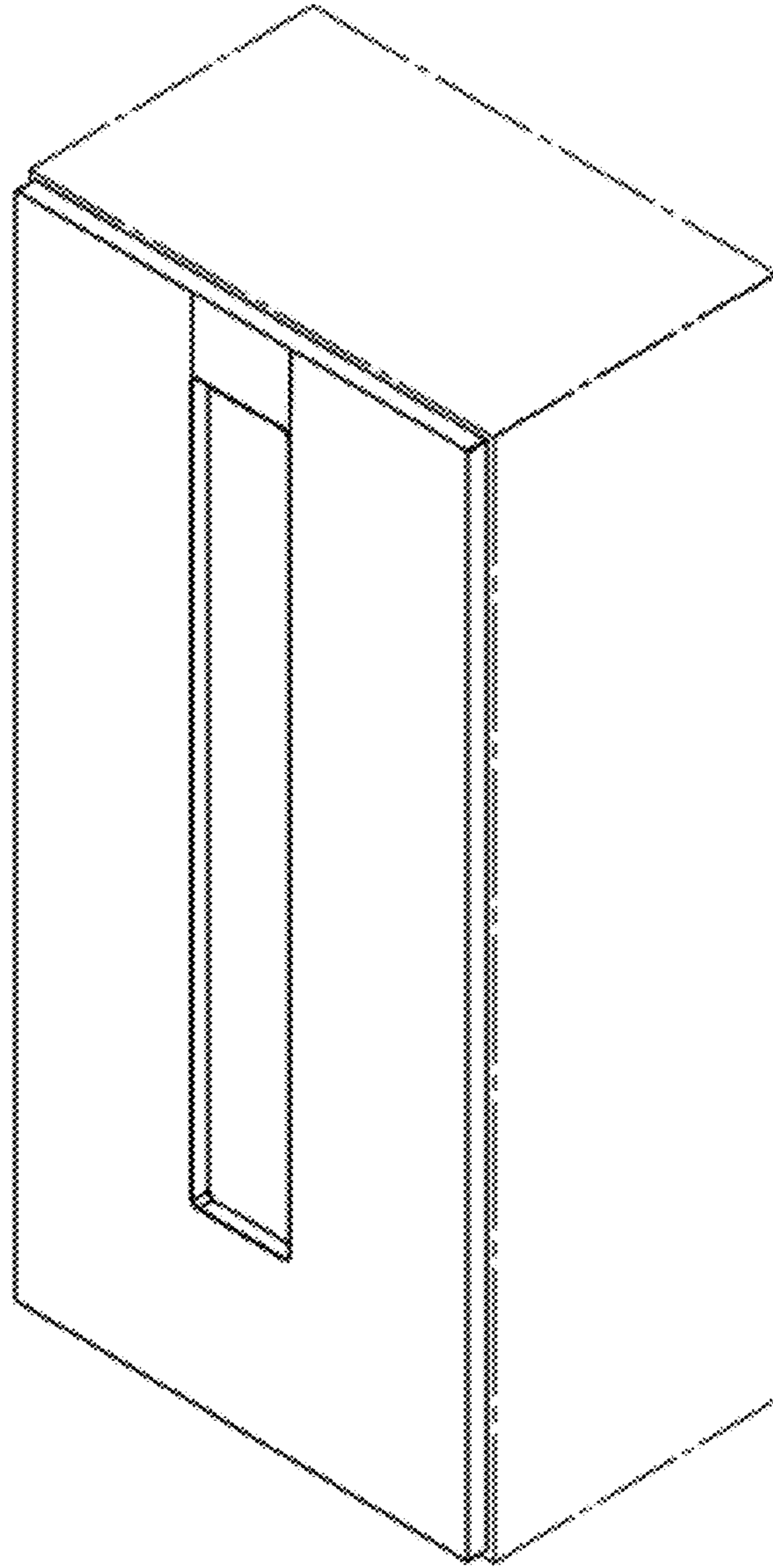


Figure 7