

US00D665598S

(12) **United States Design Patent**  
**Ostovar**

(10) **Patent No.:** **US D665,598 S**

(45) **Date of Patent:** **\*\* Aug. 21, 2012**

(54) **GLOVE TREE**

(76) Inventor: **Vida Ostovar**, San Diego, CA (US)

(\*\*) Term: **14 Years**

(21) Appl. No.: **29/403,424**

(22) Filed: **Oct. 5, 2011**

(51) **LOC (9) Cl.** ..... **06-04**

(52) **U.S. Cl.** ..... **D6/450**

(58) **Field of Classification Search** ..... D20/33;  
223/78, 80; 211/85.3, 133.2; D6/449, 396,  
D6/416, 462-465, 466-468, 450

See application file for complete search history.

(56) **References Cited**

**U.S. PATENT DOCUMENTS**

D25,538 S \* 5/1896 Peabody ..... D20/33  
1,319,579 A \* 10/1919 Gillam ..... 223/78  
1,733,680 A \* 10/1929 Turner ..... 223/78  
2,123,523 A \* 7/1938 Clyde ..... 223/80

3,133,682 A \* 5/1964 Sawyer ..... 223/78  
3,409,142 A \* 11/1968 Mechaneck ..... 211/85.3  
D331,675 S \* 12/1992 David ..... D6/462

\* cited by examiner

*Primary Examiner* — Philip S Hyder

*Assistant Examiner* — Sydney Buffalow

(74) *Attorney, Agent, or Firm* — John K. Buche; Buche & Associates, P.C.

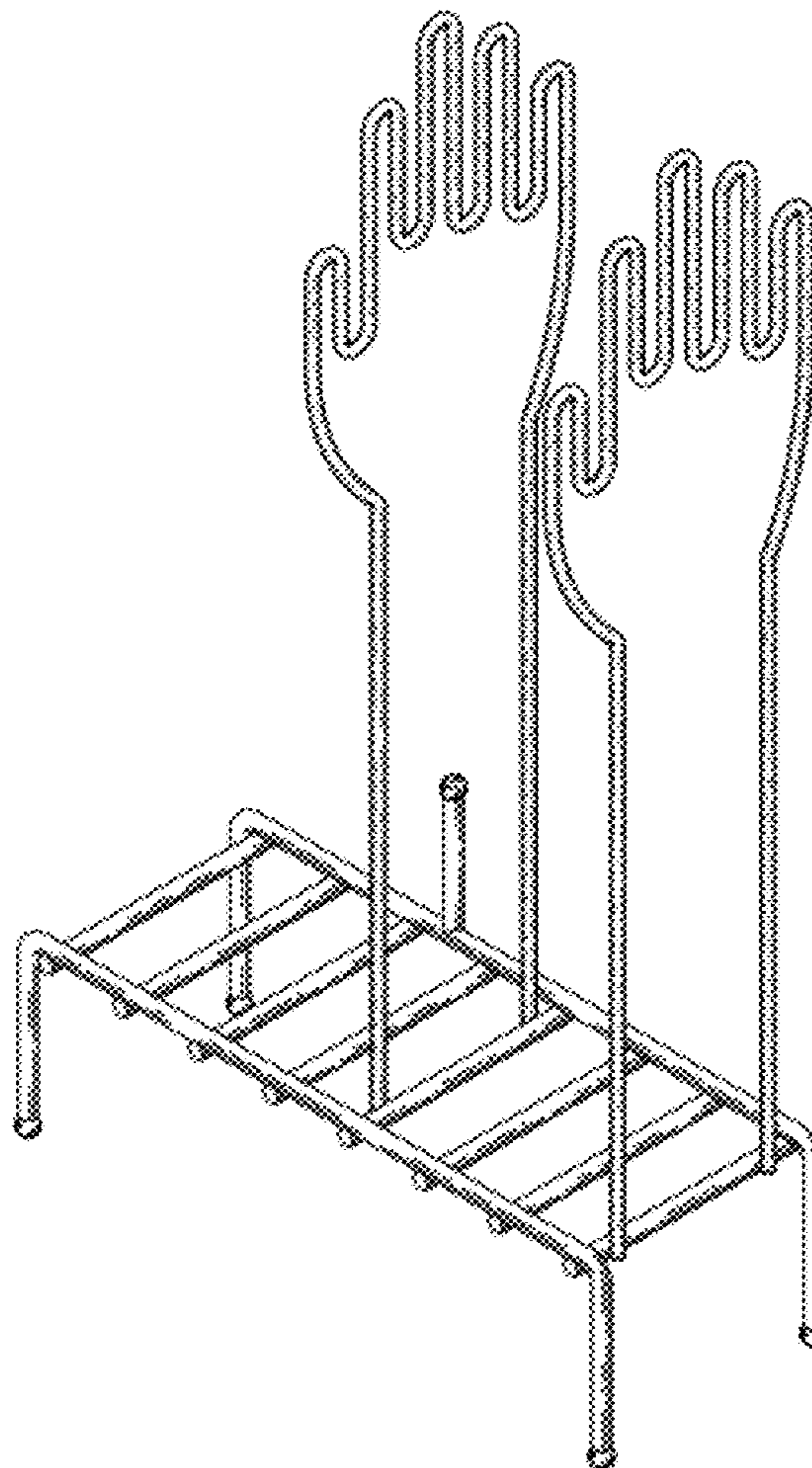
(57) **CLAIM**

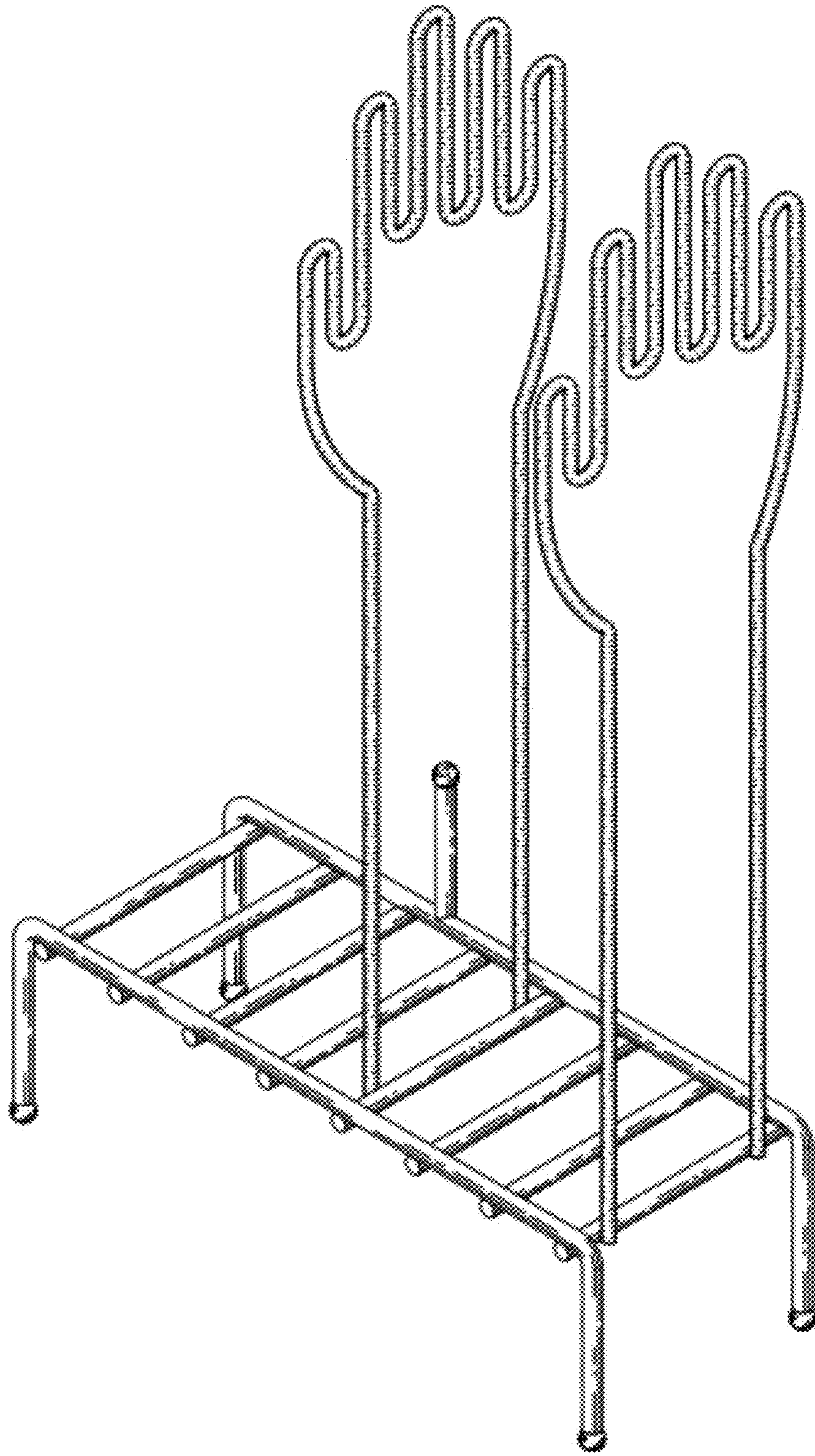
The ornamental design for a glove tree, as shown and described.

**DESCRIPTION**

FIG. 1 is a perspective view of a glove tree.  
FIG. 2 is a front view of the glove tree of FIG. 1.  
FIG. 3 is a back view of the glove tree of FIG. 1.  
FIG. 4 is a left side view of the glove tree of FIG. 1.  
FIG. 5 is a right side view of the glove tree of FIG. 1.  
FIG. 6 is a top view of the glove tree of FIG. 1; and,  
FIG. 7 is a bottom view of the glove tree of FIG. 1.

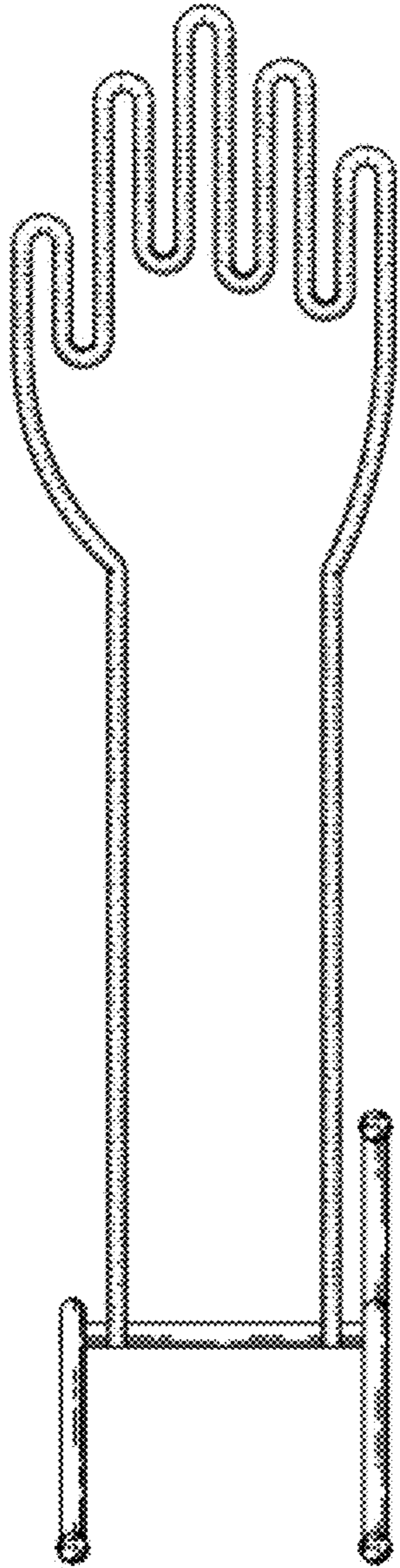
**1 Claim, 4 Drawing Sheets**



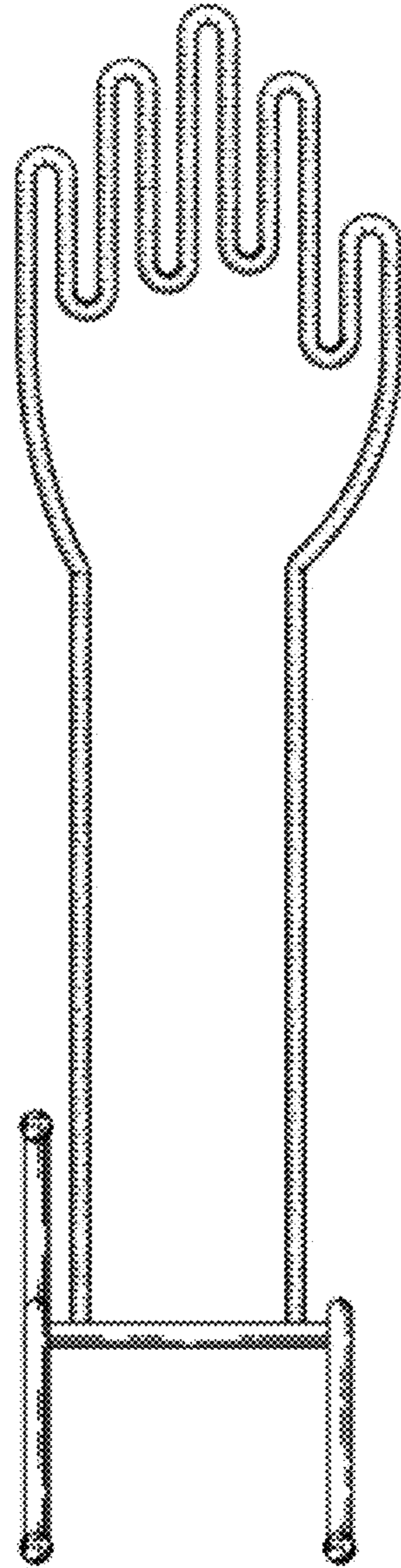


**FIG. 1**





**FIG. 2**



**FIG. 3**

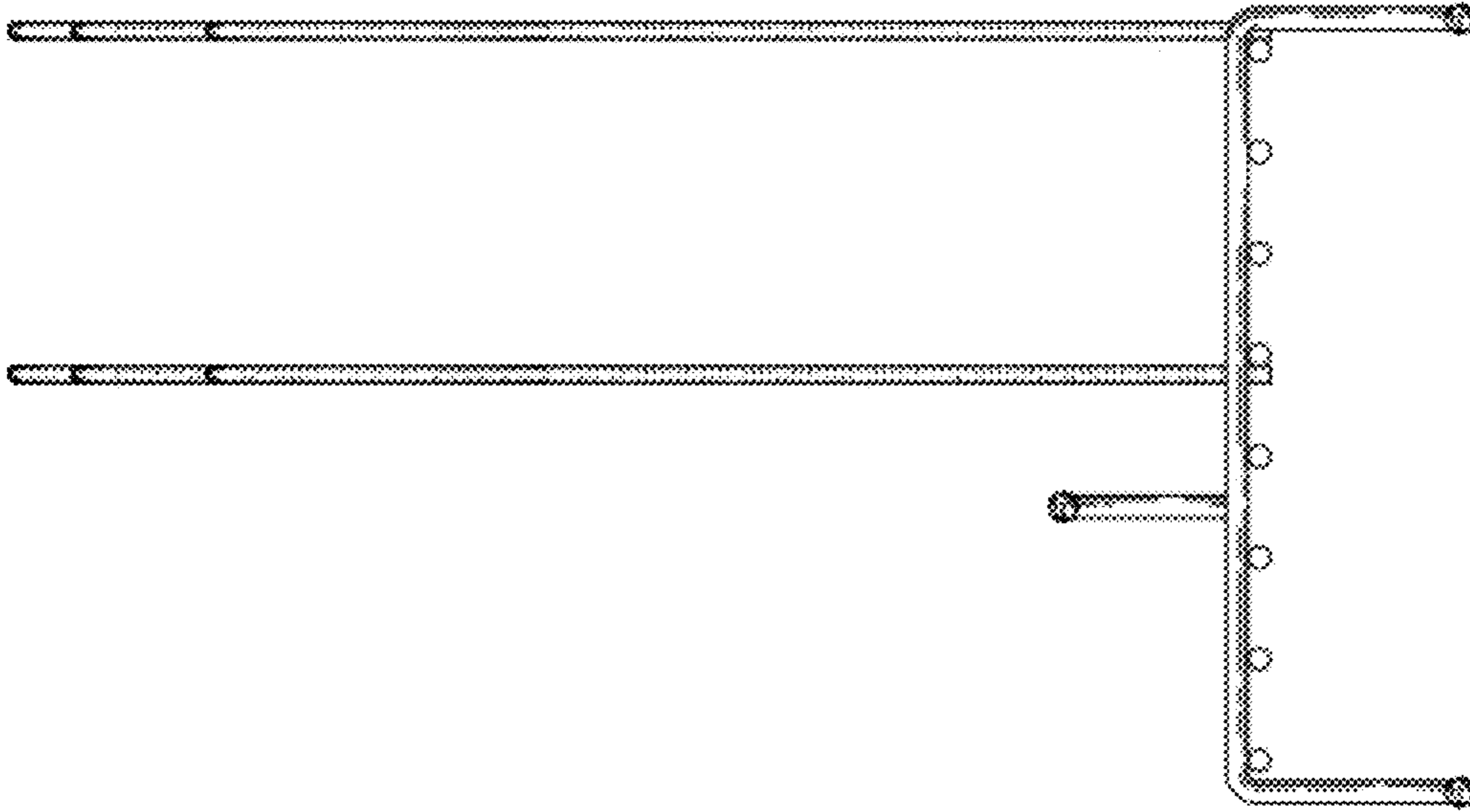


FIG. 5

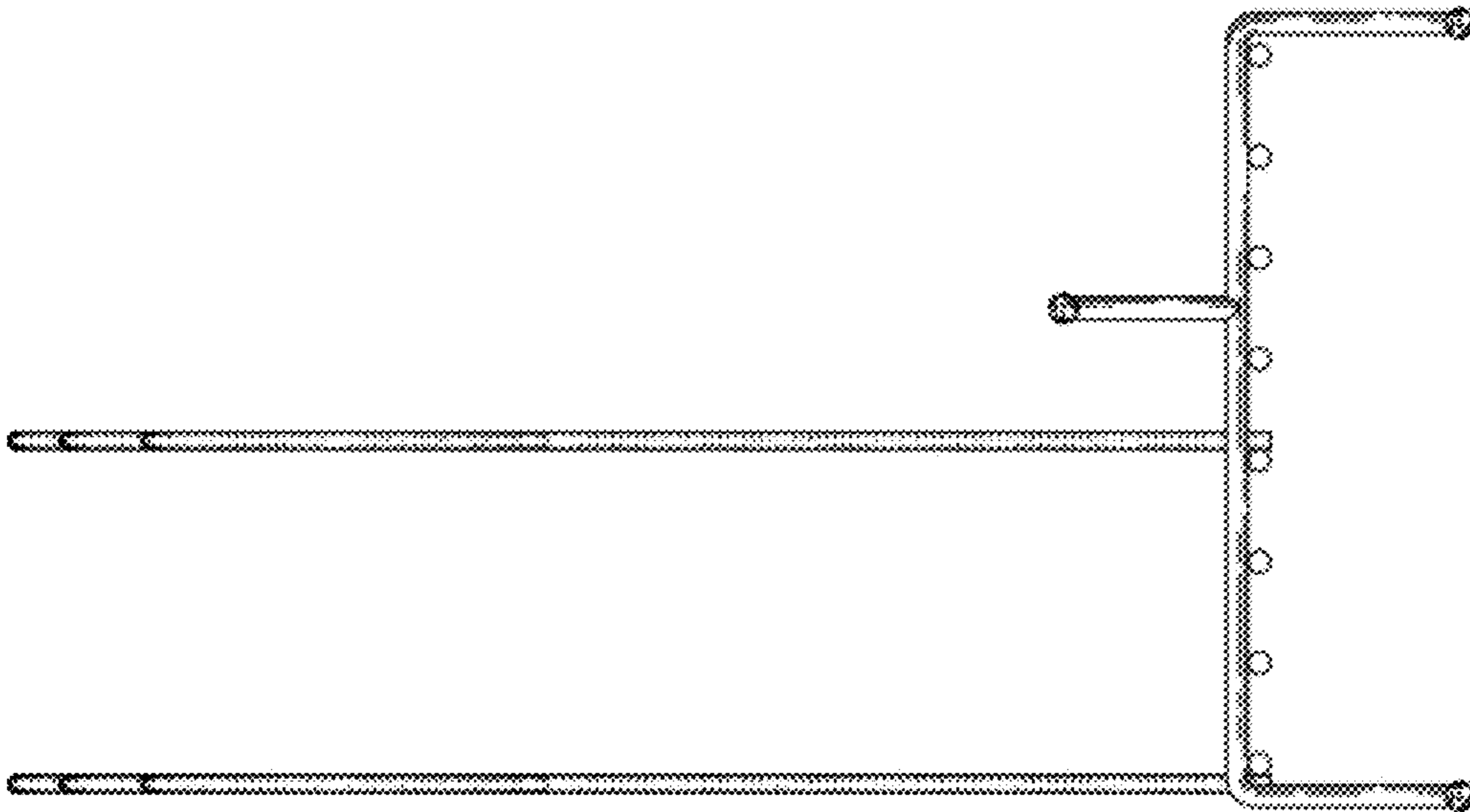
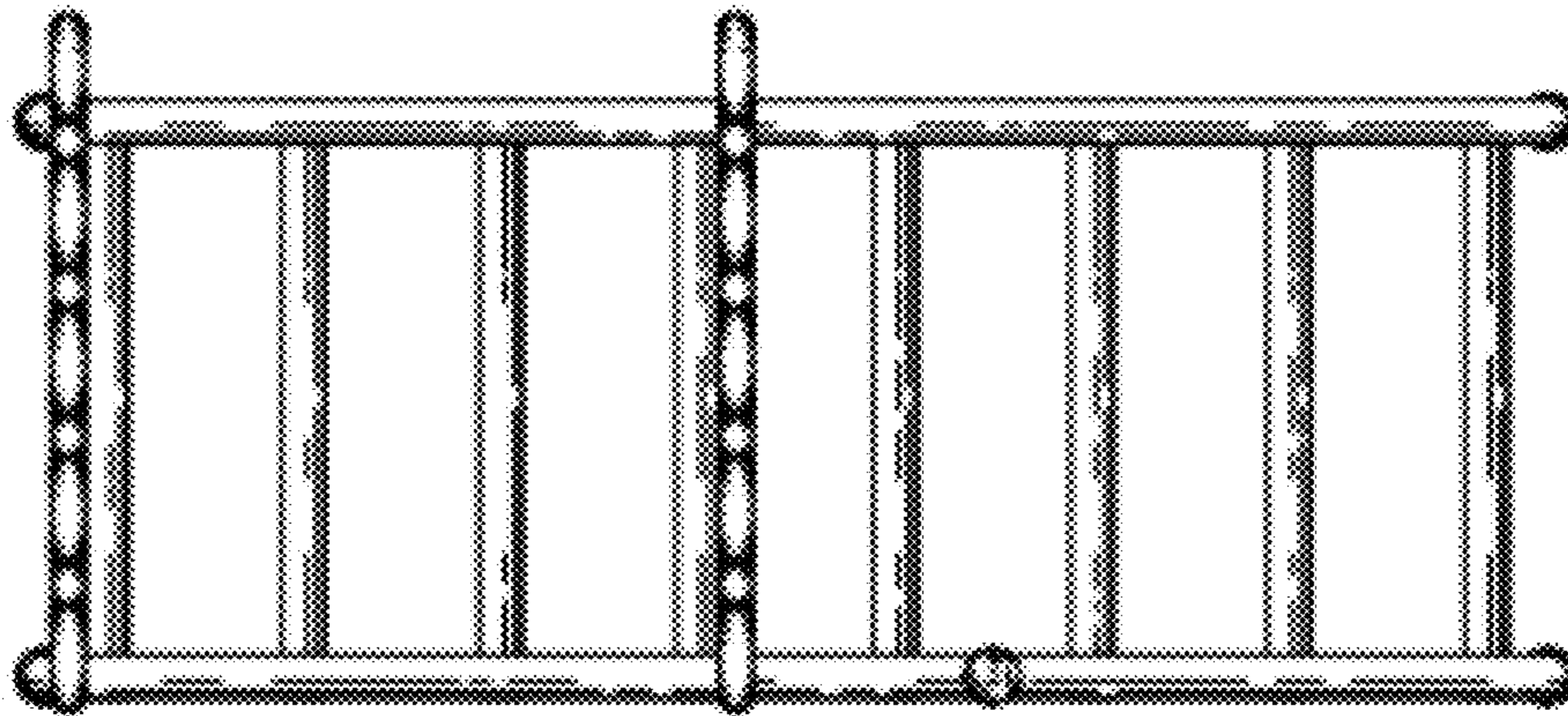
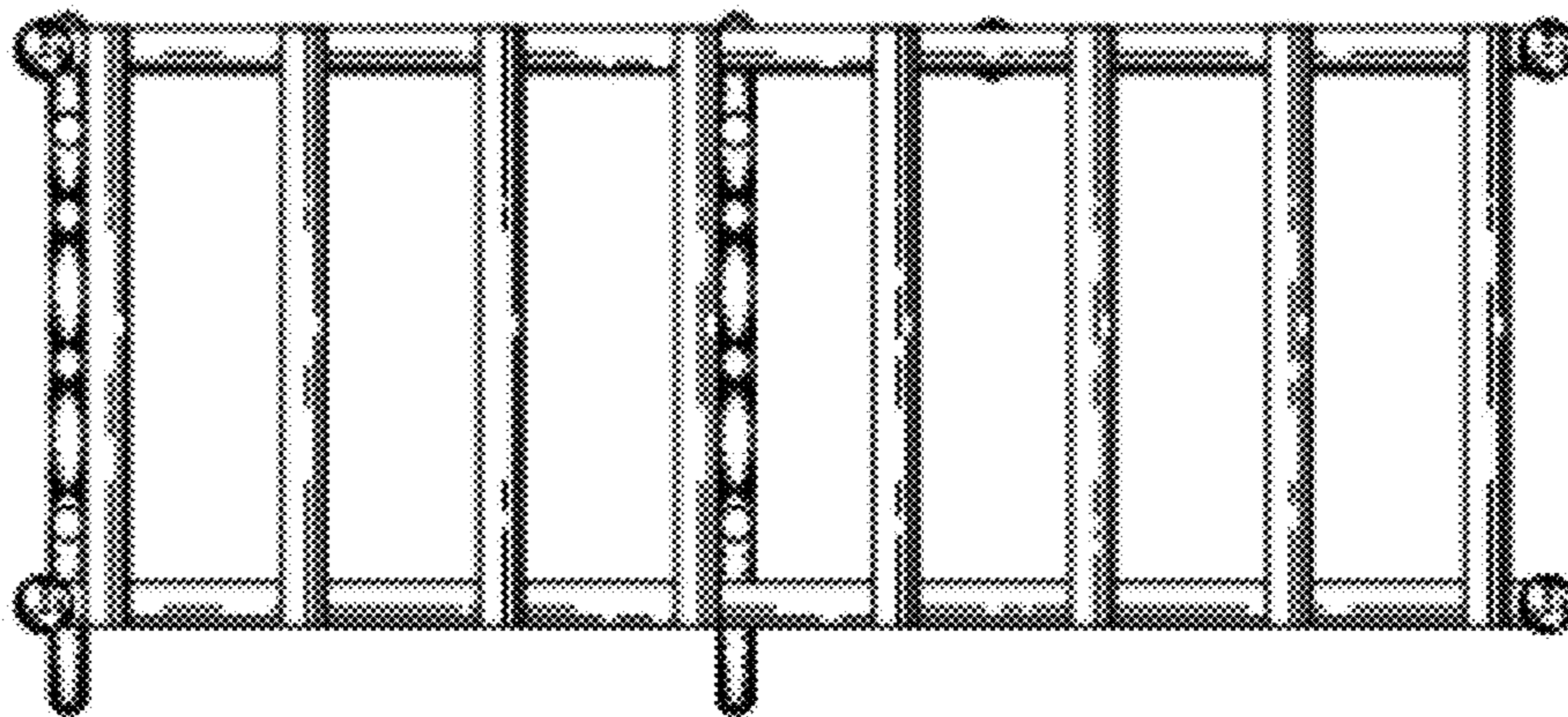


FIG. 4



**FIG. 6**



**FIG. 7**