

US00D665595S

(12) **United States Design Patent**  
**Francis**

(10) **Patent No.:** **US D665,595 S**

(45) **Date of Patent:** **\*\* Aug. 21, 2012**

(54) **LAP TRAY**

(76) Inventor: **David Francis**, Old Hickory, TN (US)

(\*\*) Term: **14 Years**

(21) Appl. No.: **29/412,111**

(22) Filed: **Jan. 31, 2012**

**Related U.S. Application Data**

(62) Division of application No. 29/374,138, filed on Jul. 7, 2011.

(51) **LOC (9) Cl.** ..... **06-06**

(52) **U.S. Cl.** ..... **D6/406.3**

(58) **Field of Classification Search** ..... D6/406.3–406.6,  
D6/349, 511; D7/550.1, 554.4, 698; D23/303;  
108/42–46, 25, 88; 211/128, 135

See application file for complete search history.

(56) **References Cited**

**U.S. PATENT DOCUMENTS**

3,323,151	A *	6/1967	Lerman	.....	5/722
D278,580	S *	4/1985	Collins	.....	D6/349
D311,828	S *	11/1990	Clark et al.	.....	D6/406.5
D315,463	S *	3/1991	Spiegel	.....	D6/511
5,073,428	A *	12/1991	Lancelot et al.	.....	428/67
D343,083	S *	1/1994	Heiman	.....	D6/511
D354,636	S *	1/1995	Cable	.....	D6/406.4
D371,296	S *	7/1996	Correll	.....	D9/456
D380,106	S *	6/1997	Brotherston	.....	D6/406.5
D408,649	S *	4/1999	Bucklitzsch et al.	.....	D6/406.1
D426,409	S *	6/2000	Clark et al.	.....	D6/511
D442,795	S *	5/2001	Holt	.....	D6/406.3
6,253,688	B1 *	7/2001	Lor	.....	108/132
6,287,659	B1 *	9/2001	Robbins et al.	.....	428/43
D483,971	S *	12/2003	Barlow-Lawson	.....	D6/511
D490,261	S *	5/2004	Astle et al.	.....	D6/511
D501,341	S *	2/2005	Cassidy et al.	.....	D6/509

D502,031	S *	2/2005	Cassidy et al.	.....	D6/511
D505,809	S *	6/2005	Cassidy et al.	.....	D6/491
6,946,184	B2 *	9/2005	Robbins, III	.....	428/120
D514,913	S *	2/2006	Dunn et al.	.....	D8/71
7,029,743	B2 *	4/2006	Robbins, III	.....	428/120
D522,299	S *	6/2006	Robbins, III	.....	D6/582
D575,077	S *	8/2008	Kessels	.....	D6/406.3
D588,830	S *	3/2009	Chochinov et al.	.....	D6/406.3
D606,354	S *	12/2009	Abolkheir	.....	D6/601
D607,051	S *	12/2009	Bizzell	.....	D19/26
D608,150	S *	1/2010	Lilly	.....	D7/552.1
D610,380	S *	2/2010	Momeny	.....	D6/511
D613,979	S *	4/2010	Moore	.....	D6/511
D616,229	S *	5/2010	Suitt	.....	D6/491
D619,823	S *	7/2010	Jennings	.....	D6/406.3

(Continued)

*Primary Examiner* — Kelley Donnelly

(74) *Attorney, Agent, or Firm* — Waddey & Patterson, PC;  
Matthew C. Cox

(57) **CLAIM**

What is claimed is the ornamental design for a lap tray, as shown and described.

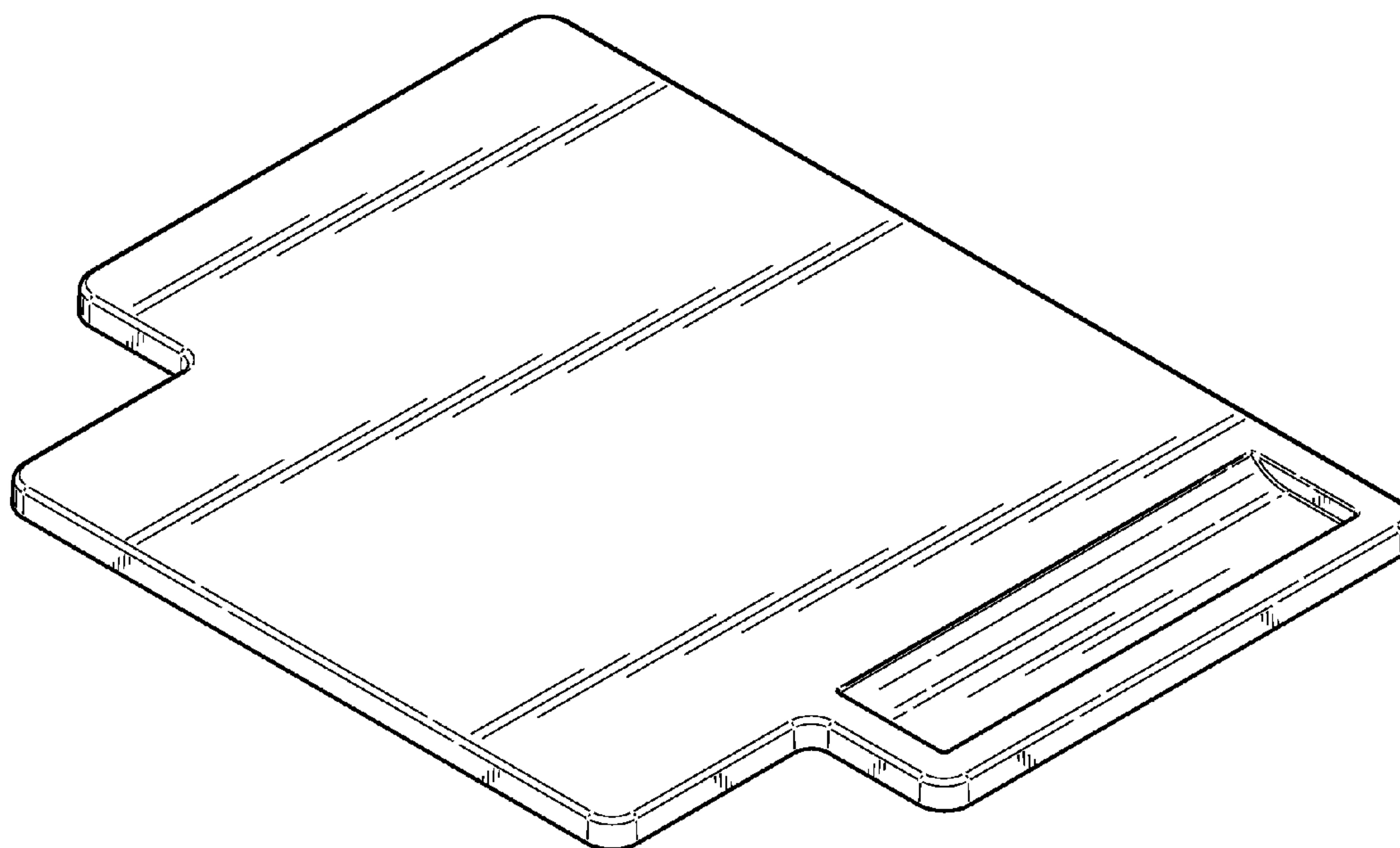
**DESCRIPTION**

FIG. 1 is a front view of the lap tray of the present invention. FIG. 2 is a side view of the lap tray of the present invention. FIG. 3 is a plan view of the lap tray of the present invention. FIG. 4 is a side view of the lap tray of the present invention. FIG. 5 is a back view of the lap tray of the present invention. FIG. 6 is an underside view of the lap tray of the present invention.

FIG. 7 is an upper perspective view of the lap tray of the present invention; and,

FIG. 8 is a lower perspective view of the lap tray of the present invention.

**1 Claim, 5 Drawing Sheets**



# US D665,595 S

Page 2

---

## U.S. PATENT DOCUMENTS

D622,995 S *	9/2010	Beraha .....	D6/595	D655,939 S *	3/2012	Tracy .....	D6/397
D634,329 S *	3/2011	Wastrom .....	D14/457	D656,500 S *	3/2012	Maruyama et al. ....	D14/447
D642,844 S *	8/2011	Cheris .....	D6/582				

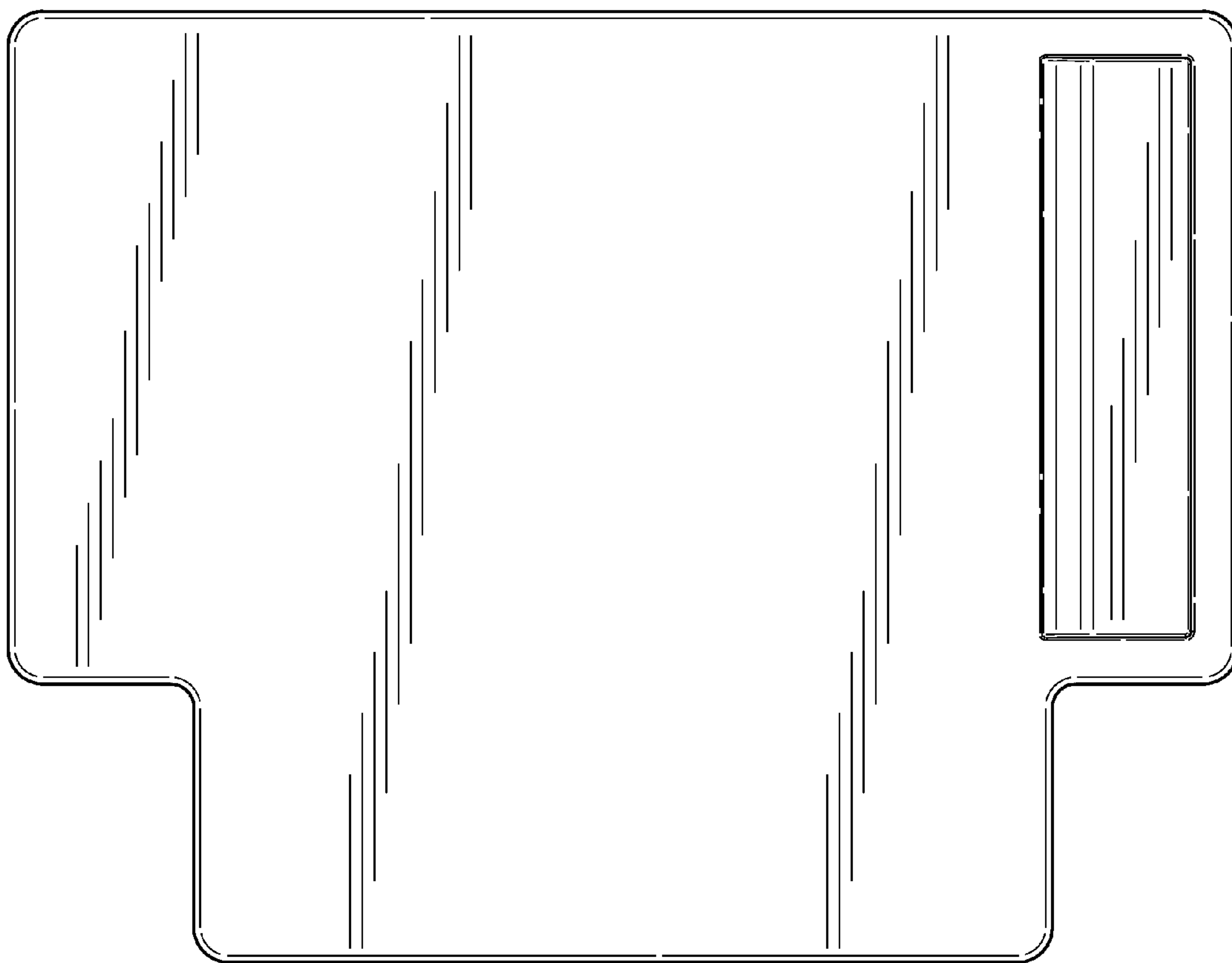
\* cited by examiner



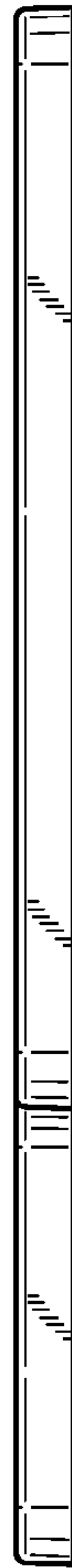
*FIG. 1*



*FIG. 2*



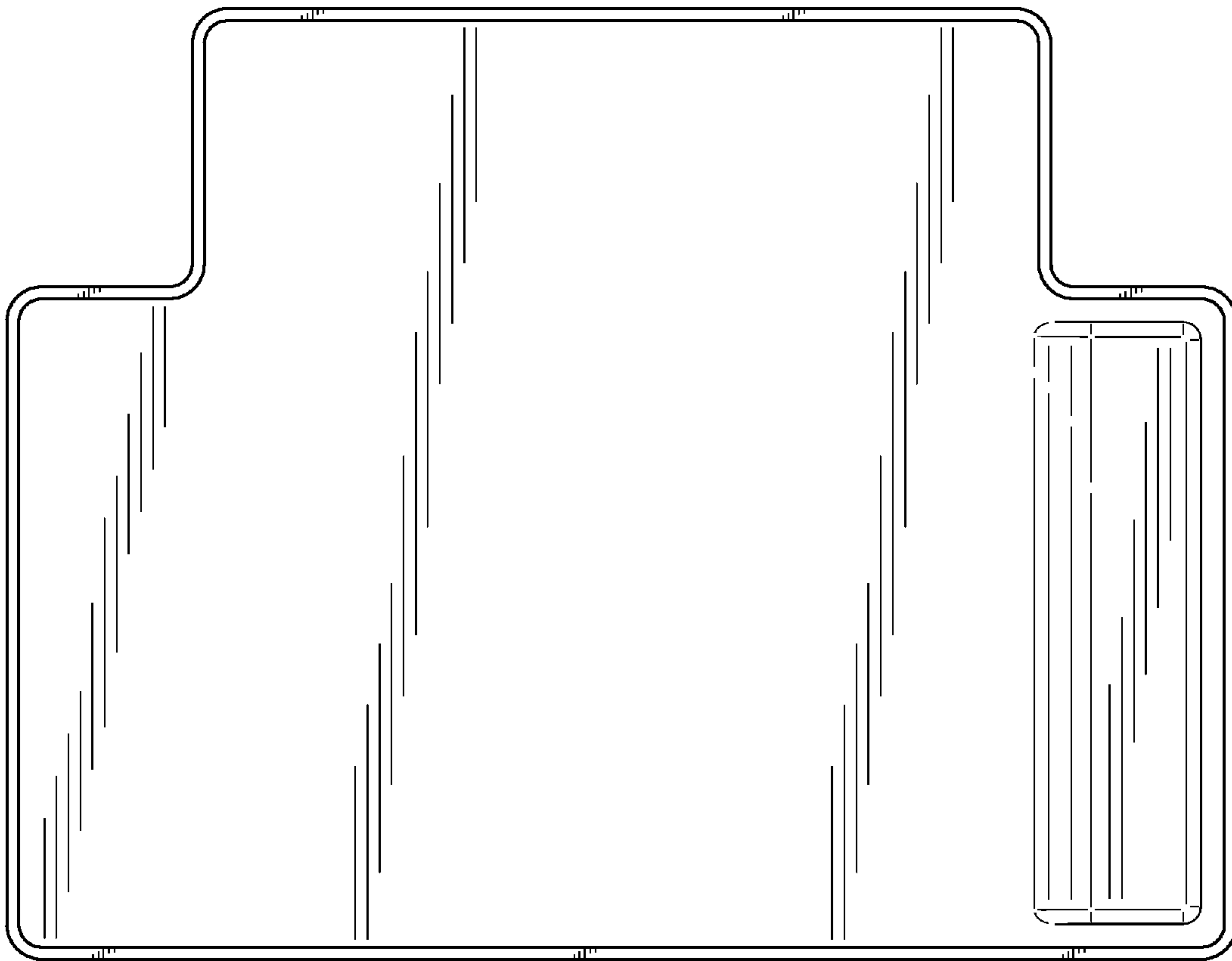
*FIG. 3*



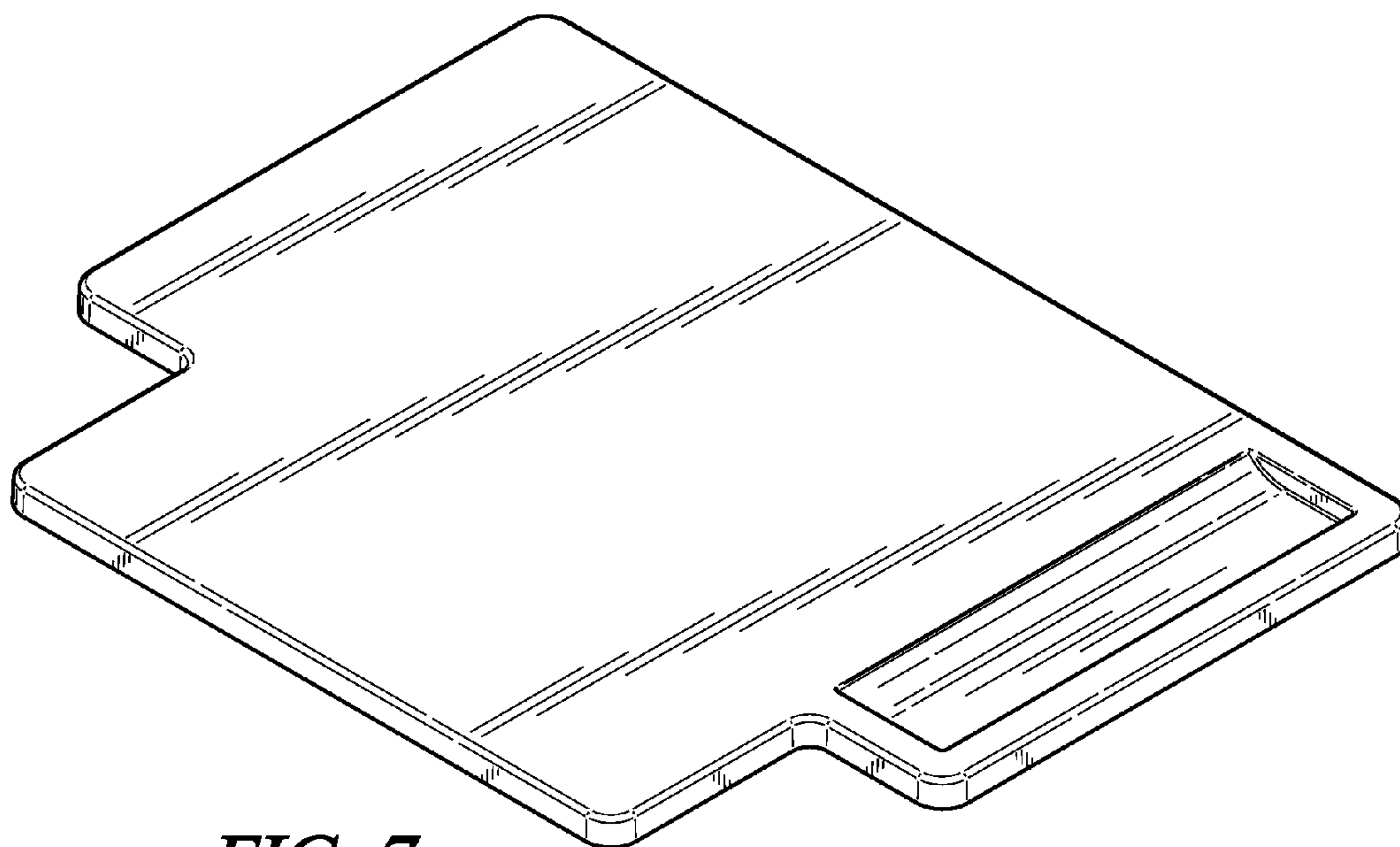
*FIG. 4*



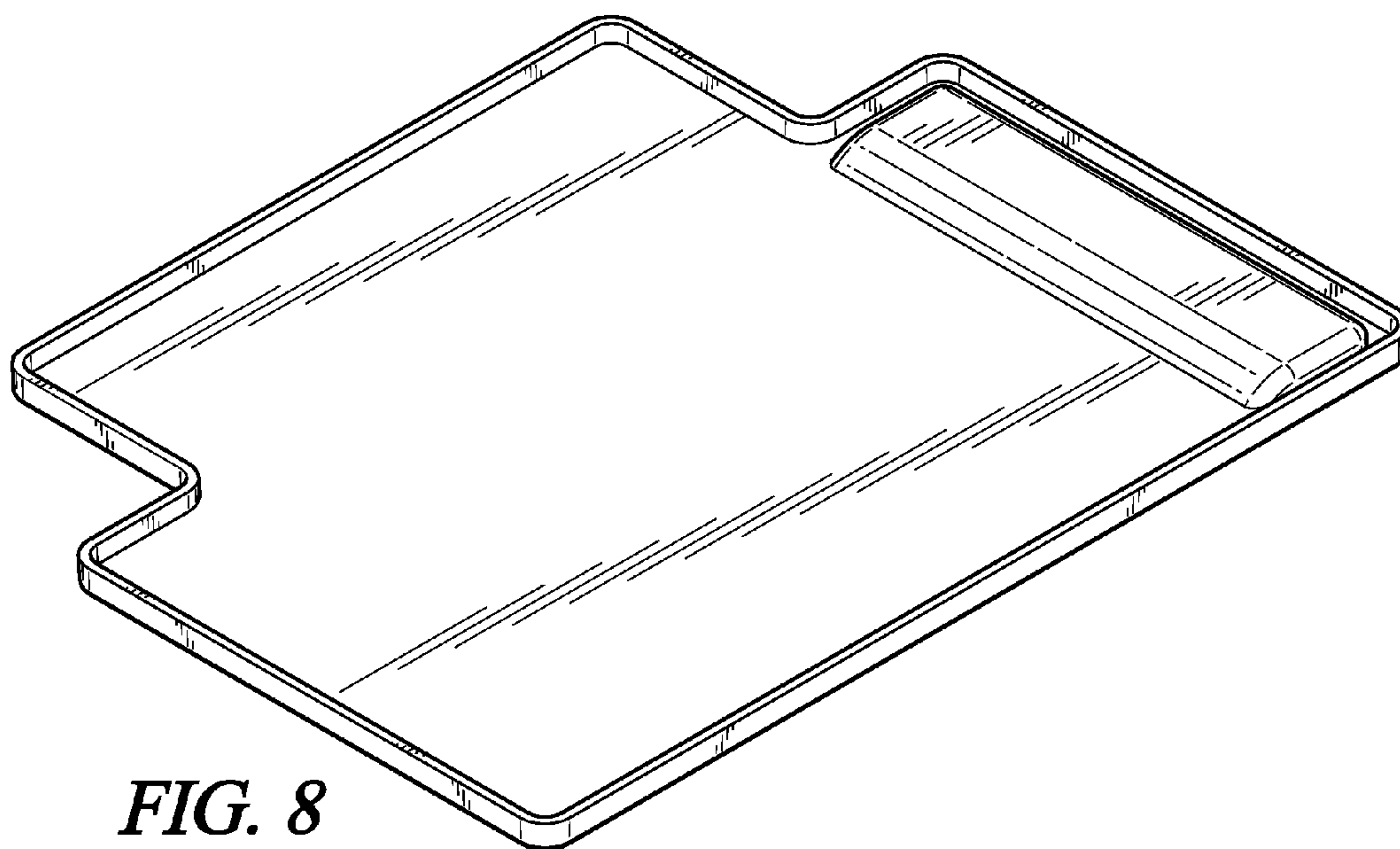
*FIG. 5*



*FIG. 6*



*FIG. 7*



*FIG. 8*