



US00D665591S

(12) **United States Design Patent**
Tanaka et al.

(10) **Patent No.:** **US D665,591 S**

(45) **Date of Patent:** **** Aug. 21, 2012**

(54) **CHAIR**

(75) Inventors: **Kenji Tanaka**, Tokyo (JP); **Toshiyuki Horiki**, Nagano (JP); **Isao Okamoto**, Nagano (JP)

(73) Assignee: **Takano Co., Ltd.**, Nagano (JP)

(**) Term: **14 Years**

(21) Appl. No.: **29/415,814**

(22) Filed: **Mar. 14, 2012**

Related U.S. Application Data

(62) Division of application No. 29/378,083, filed on Oct. 29, 2010.

(51) **LOC (9) Cl.** **06-01**

(52) **U.S. Cl.** **D6/366**

(58) **Field of Classification Search** D6/334-336,
D6/364, 365, 366, 367, 368, 374, 498, 500-502;
297/391, 393, 396, 411.27, 452.13, 452.21,
297/452.24, 452.26, 452.29, 452.32, 452.35,
297/452.56

See application file for complete search history.

(56) **References Cited**

U.S. PATENT DOCUMENTS

D436,456 S * 1/2001 Neil D6/366
D507,124 S * 7/2005 Yang D6/366

D512,232 S * 12/2005 Wu D6/366
D521,755 S * 5/2006 Kinoshita et al. D6/366
D568,624 S * 5/2008 Wen D6/366
D576,416 S * 9/2008 Su D6/366
D585,205 S * 1/2009 Wen D6/366
D597,329 S * 8/2009 Tanaka et al. D6/366
7,837,272 B2 * 11/2010 Masunaga et al. 297/452.56
D638,635 S * 5/2011 Sander et al. D6/366
D646,093 S * 10/2011 Collinson D6/502

* cited by examiner

Primary Examiner — Mimoso De

(74) *Attorney, Agent, or Firm* — Notaro, Michalos & Zaccaria P.C.

(57) **CLAIM**

The ornamental design for a chair, as shown and described.

DESCRIPTION

FIG. 1 is a rear perspective view of a chair, showing our new design therefore;

FIG. 2 is a front perspective view thereof;

FIG. 3 is a front elevational view thereof;

FIG. 4 is a rear elevational view thereof;

FIG. 5 is a right side elevational view thereof;

FIG. 6 is a left side elevational view thereof;

FIG. 7 is a top plan view thereof; and,

FIG. 8 is a bottom plan view thereof.

1 Claim, 8 Drawing Sheets

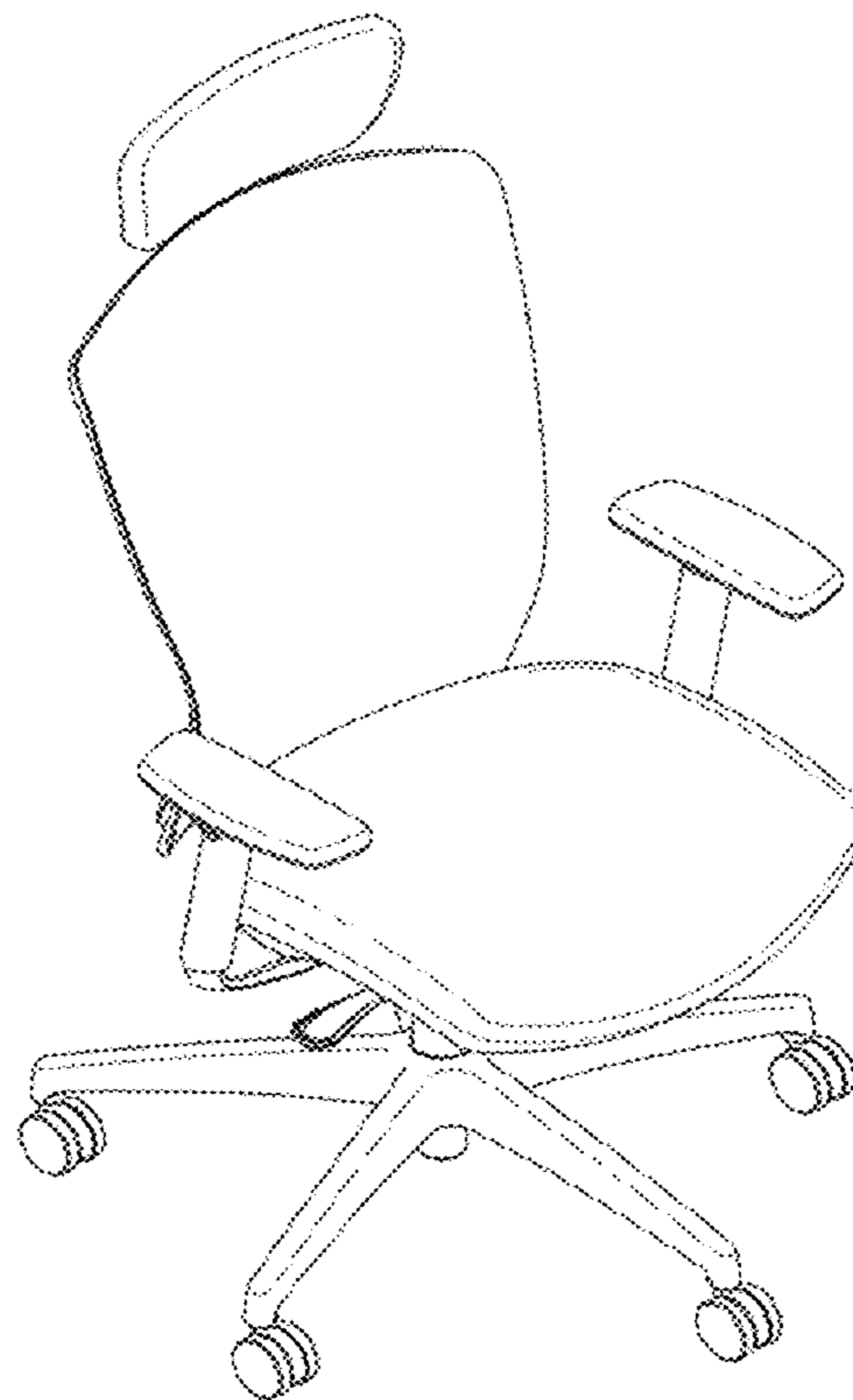
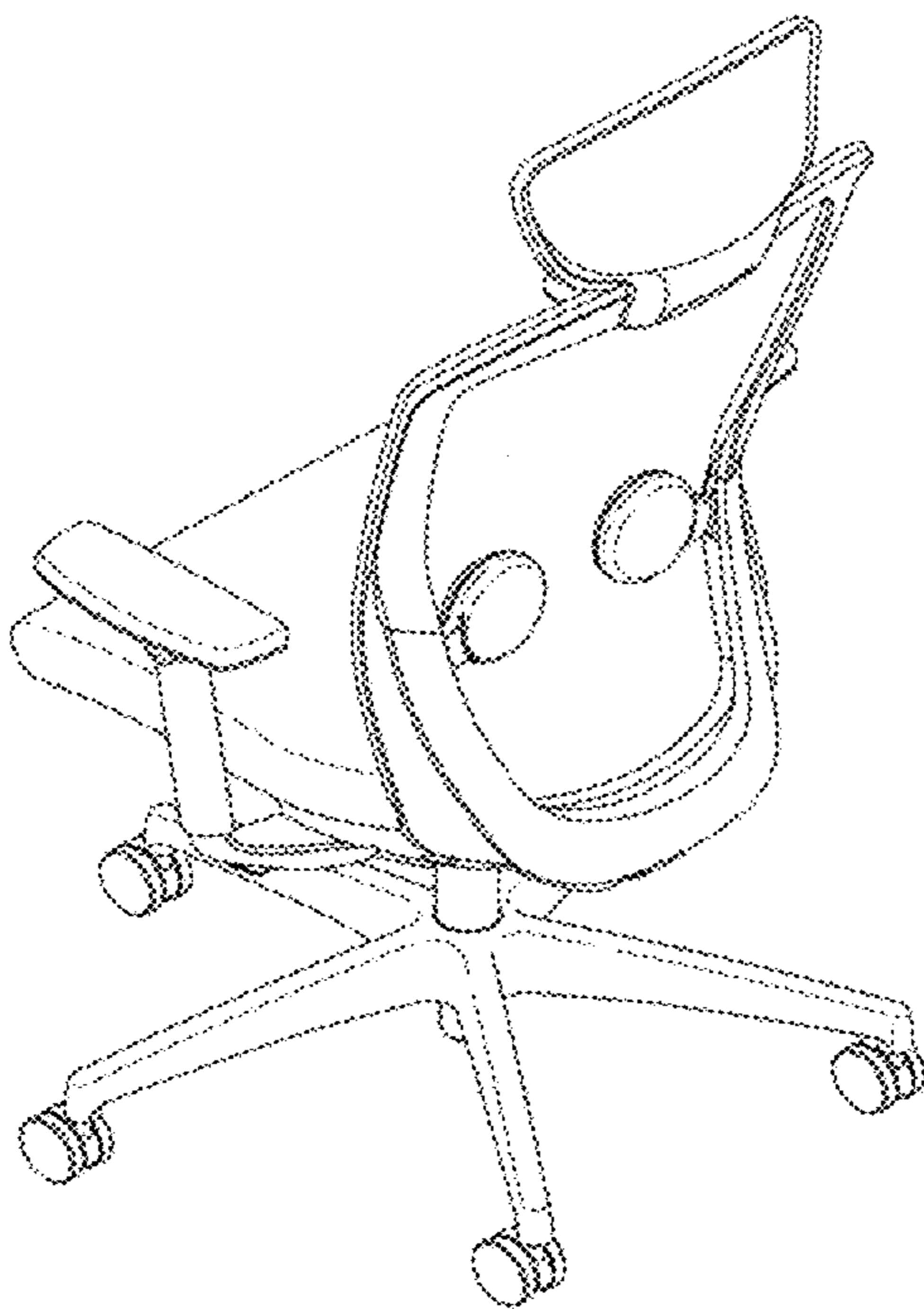


Fig. 1

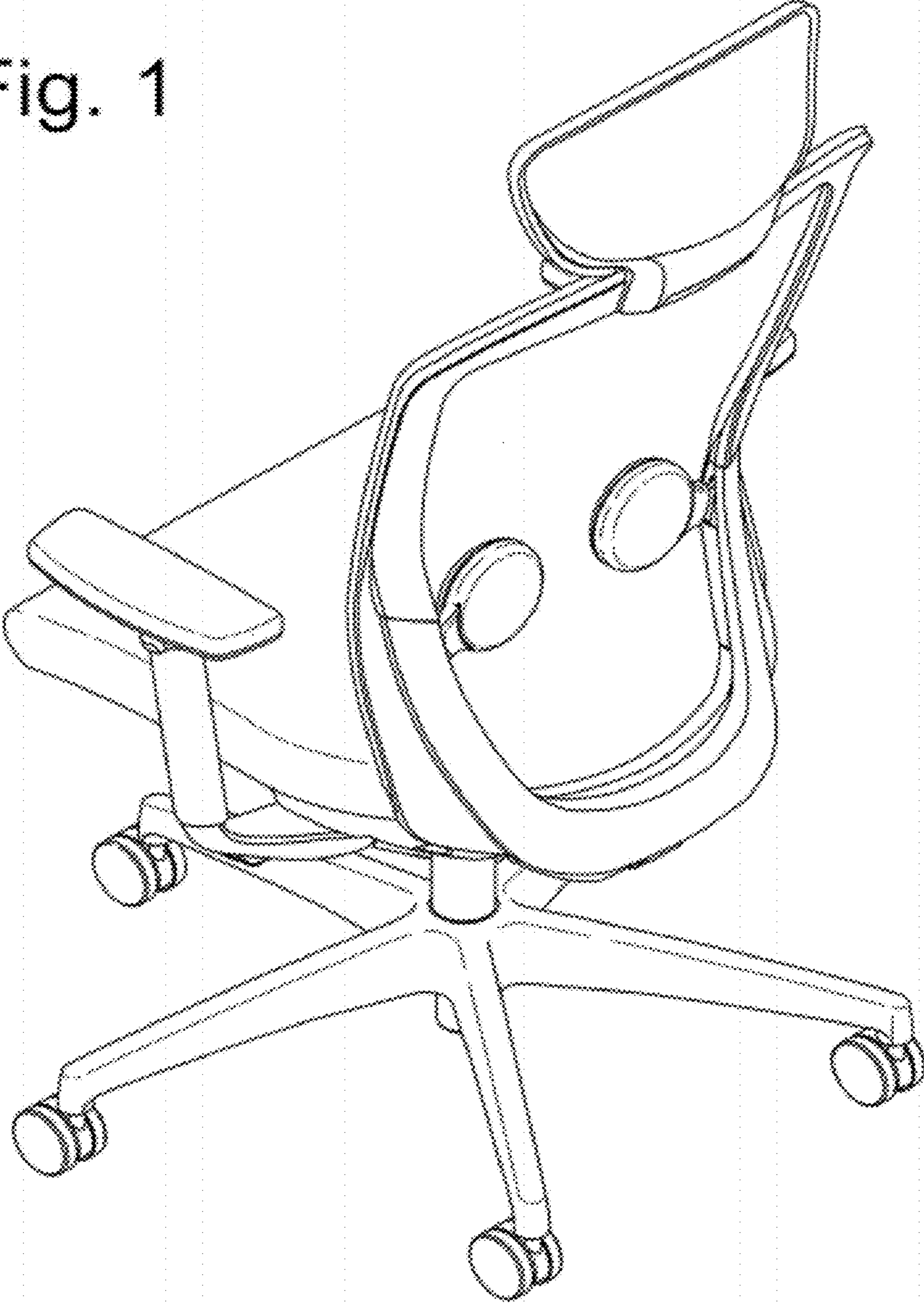


Fig. 2



Fig. 3

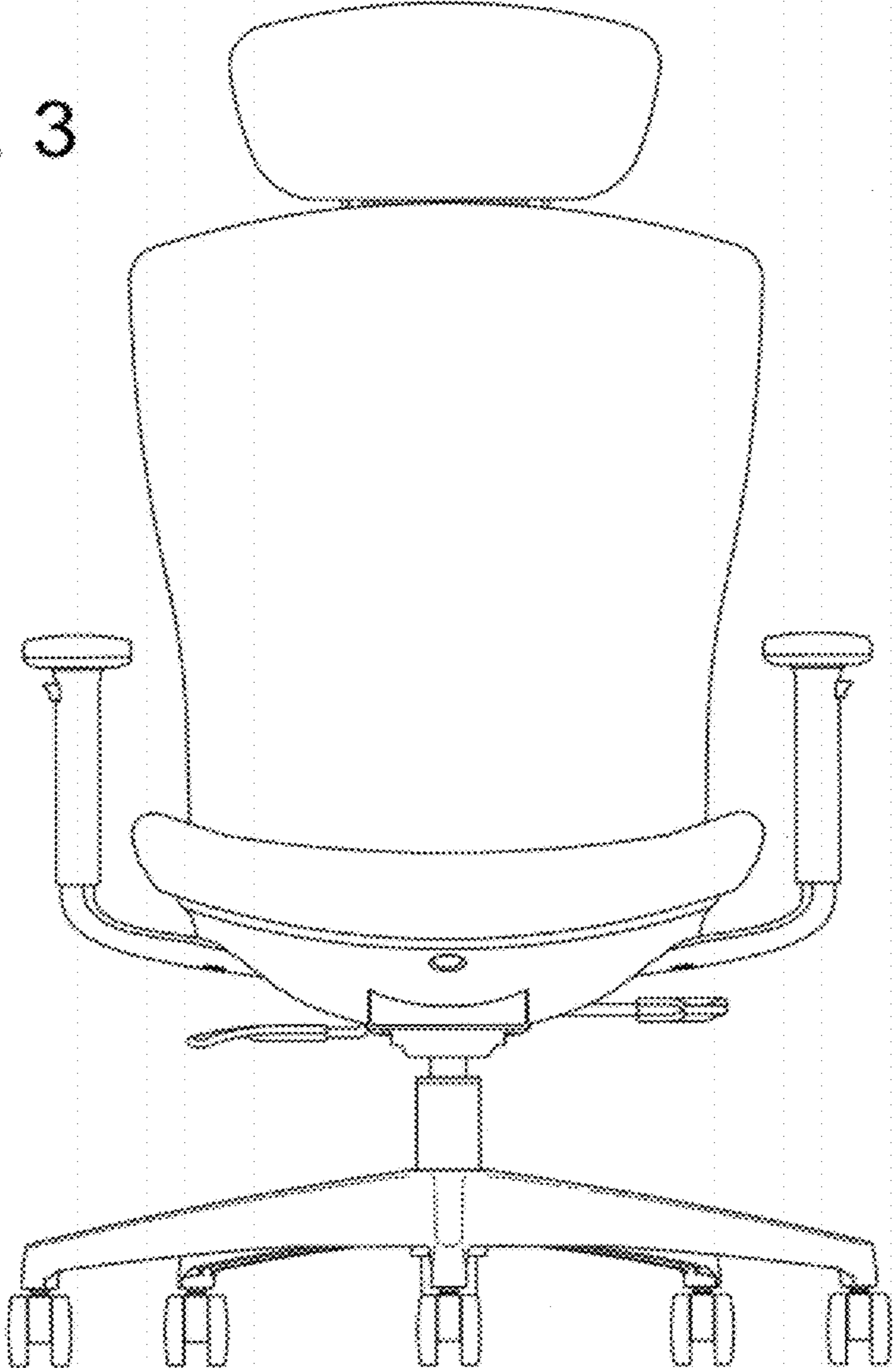


Fig. 4

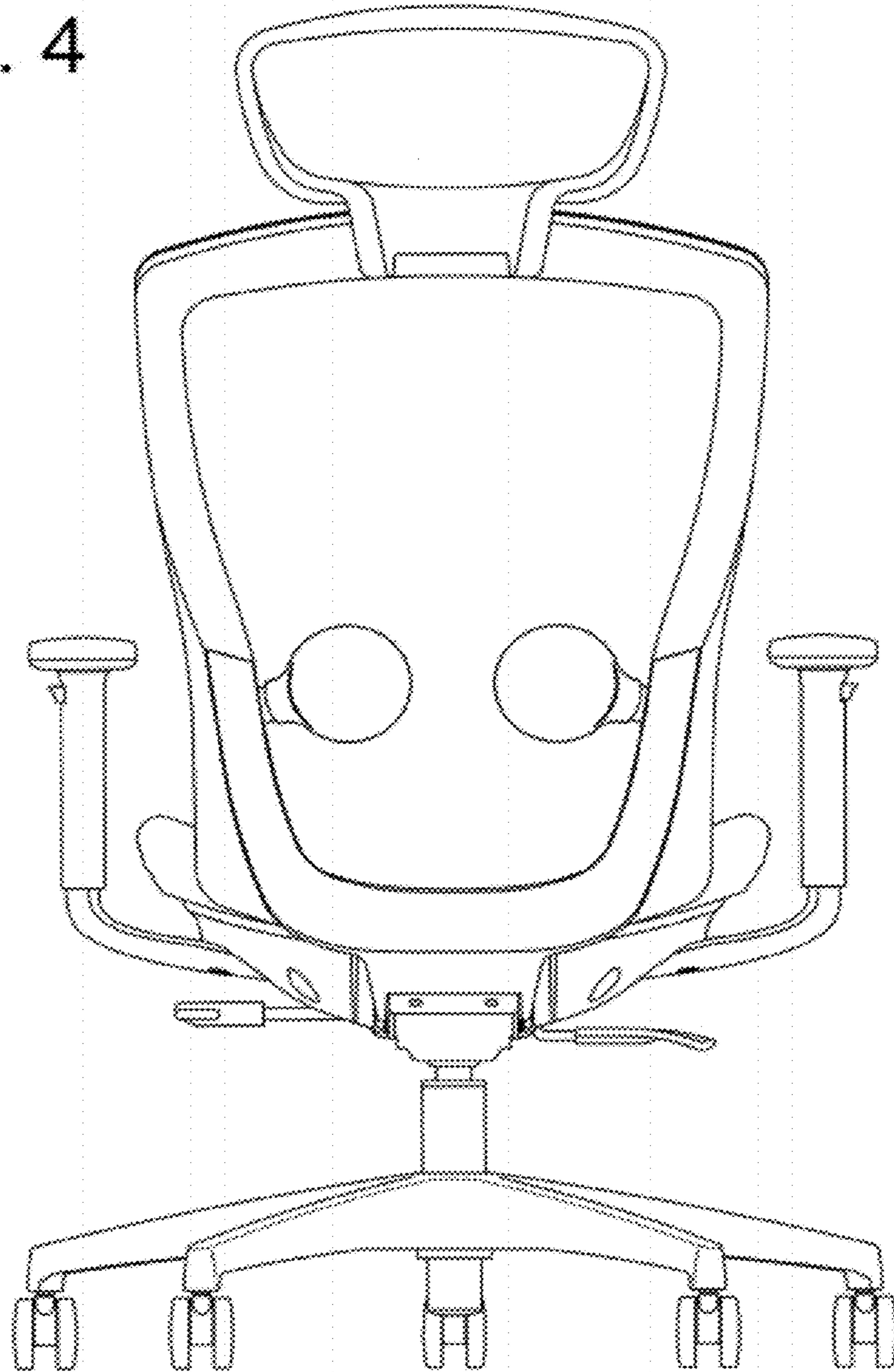


Fig. 5

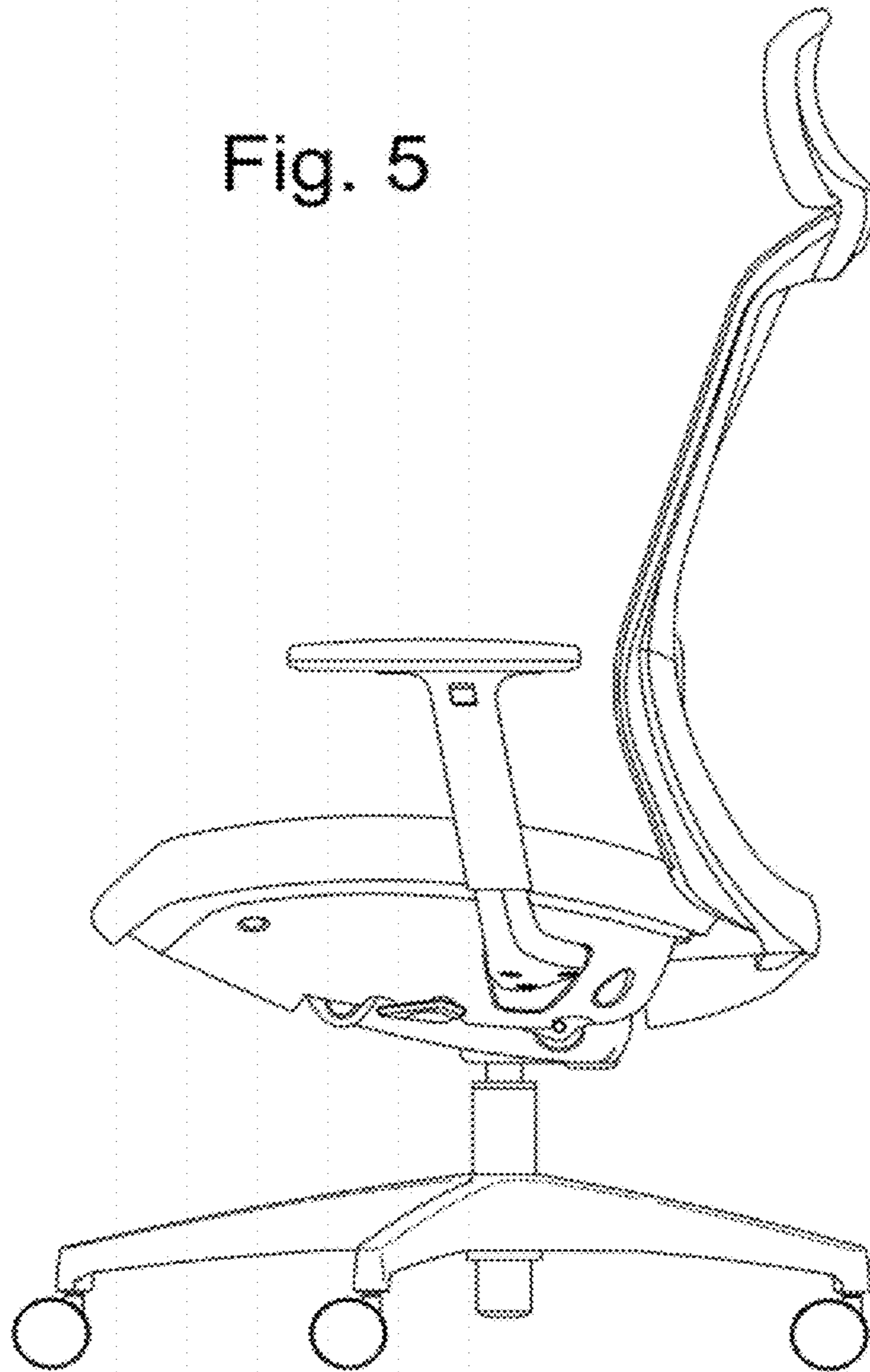


Fig. 6

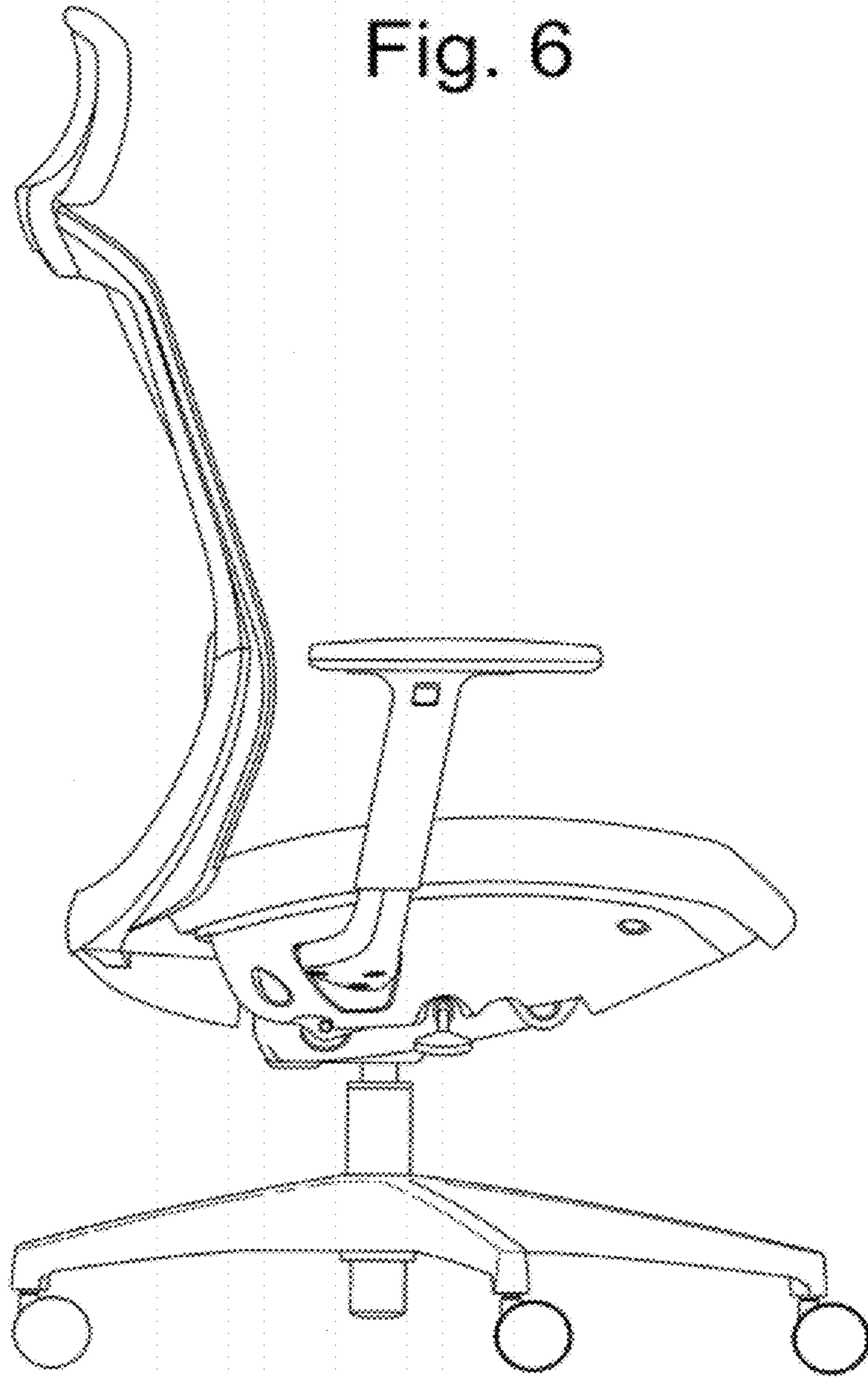


Fig. 7

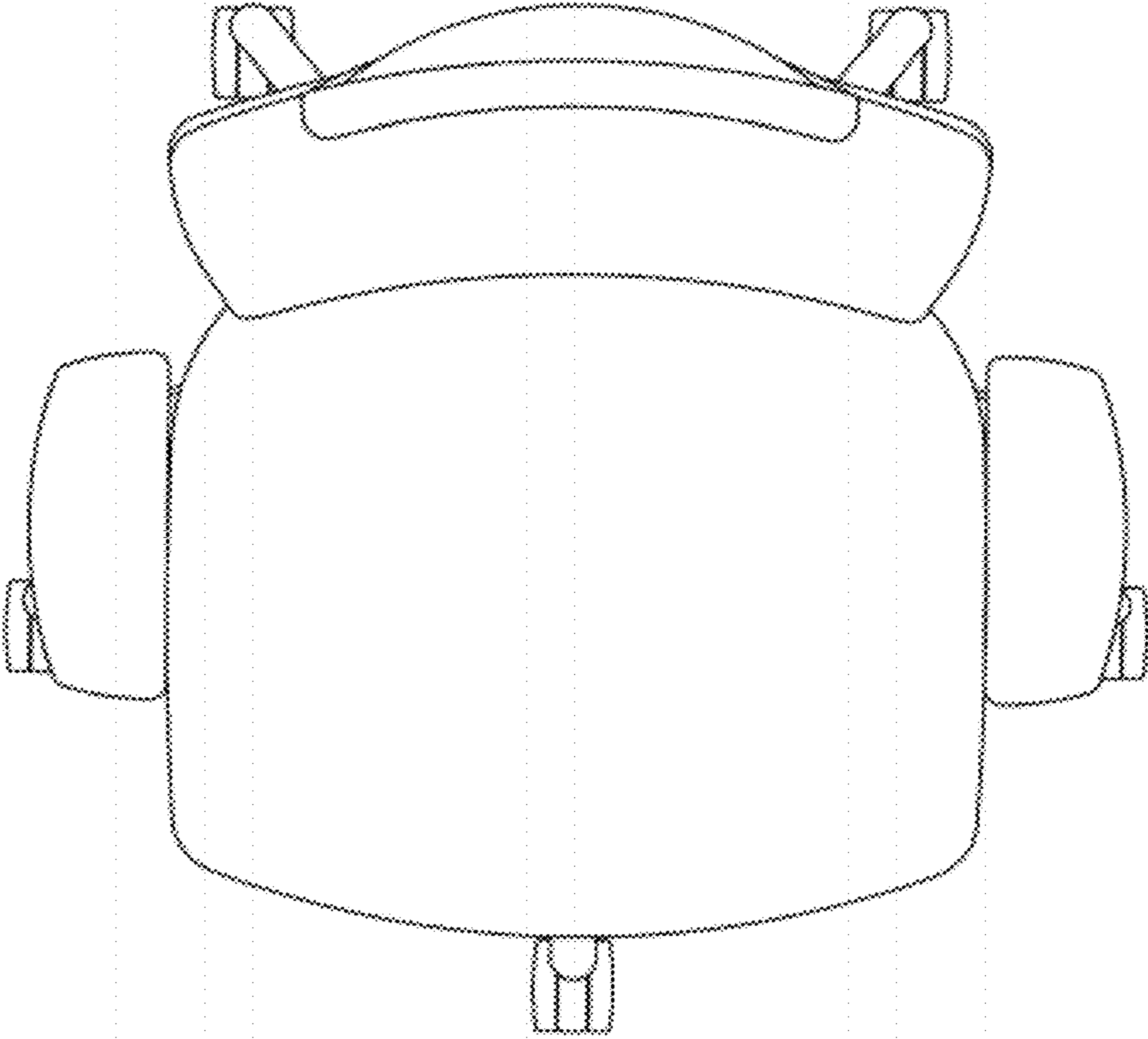


Fig. 8

