

US00D665581S

(12) **United States Design Patent**
Wu

(10) **Patent No.:** **US D665,581 S**

(45) **Date of Patent:** **** Aug. 21, 2012**

(54) **GRIP**

(76) Inventor: **Chen-Chuan Wu**, Hsin Chuang (TW)

(**) Term: **14 Years**

(21) Appl. No.: **29/396,887**

(22) Filed: **Jul. 8, 2011**

(51) **LOC (9) Cl.** **03-01**

(52) **U.S. Cl.** **D3/318**

(58) **Field of Classification Search** D3/318,
D3/281-282; 190/18 A, 113, 115, 117

See application file for complete search history.

(56) **References Cited**

U.S. PATENT DOCUMENTS

D431,353 S	*	10/2000	Mellin	D3/203.1
D553,363 S	*	10/2007	Chen et al.	D3/318
D575,511 S	*	8/2008	Moon	D3/318

* cited by examiner

Primary Examiner — Holly Baynham

(74) *Attorney, Agent, or Firm* — Muncy, Geissler, Olds & Lowe, PLLC

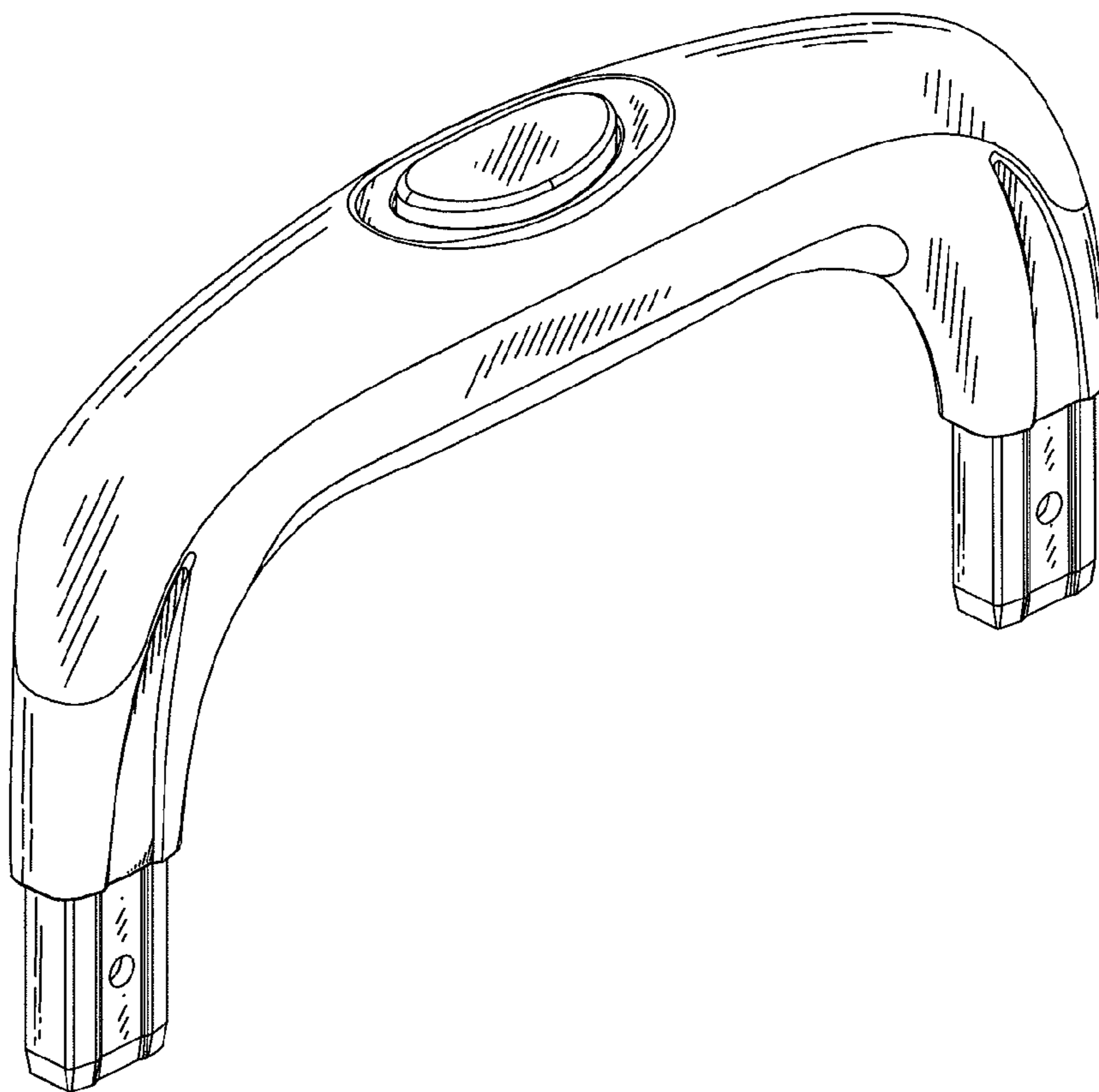
(57) **CLAIM**

The ornamental design for a grip, as shown and described.

DESCRIPTION

FIG. 1 is a perspective view of a grip showing the new design; FIG. 2 is a front view thereof; FIG. 3 is a rear view thereof; FIG. 4 is a left side view thereof; FIG. 5 is a right side view thereof; FIG. 6 is a top view thereof; and, FIG. 7 is a bottom view thereof.

1 Claim, 7 Drawing Sheets



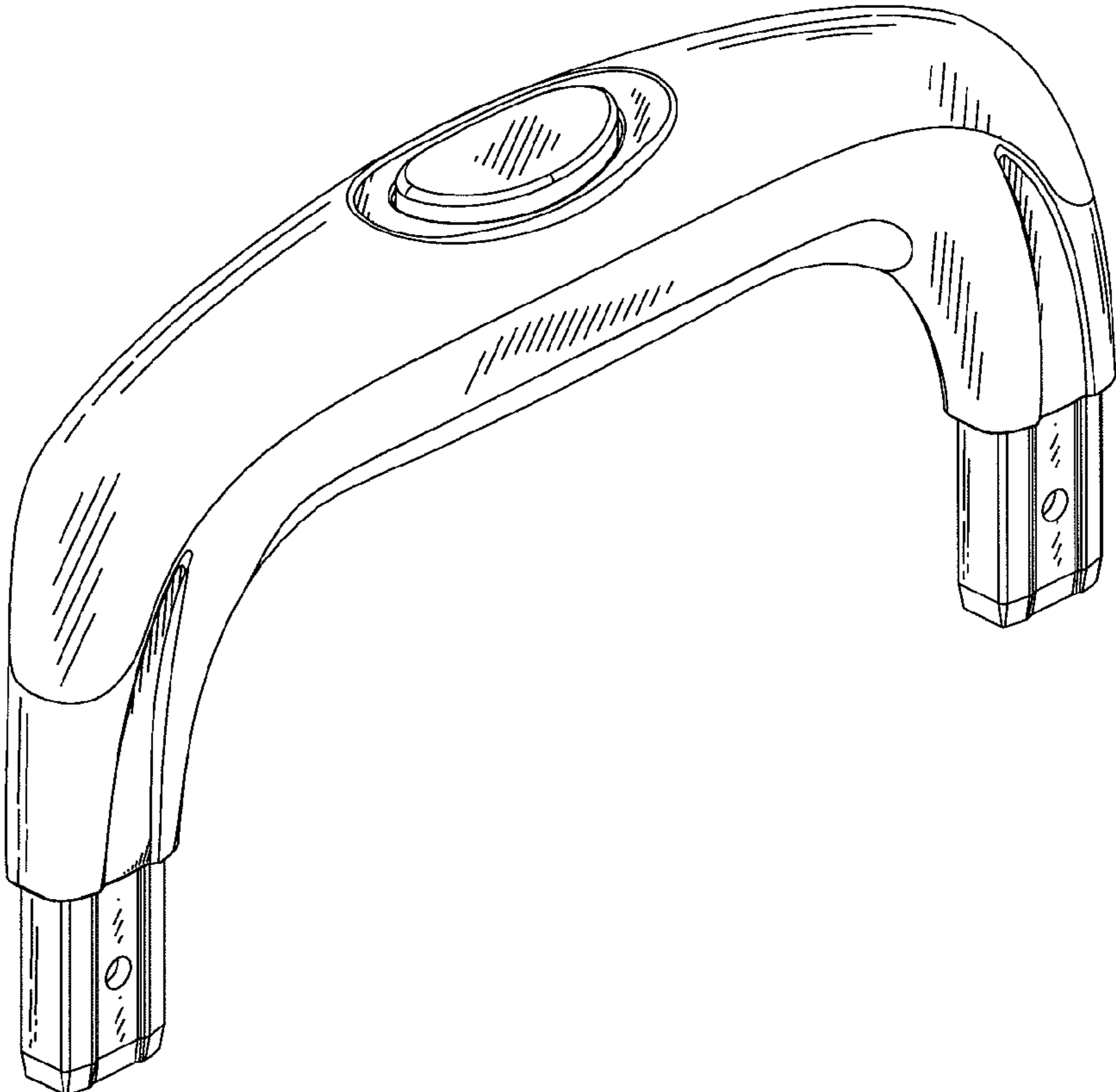


FIG. 1

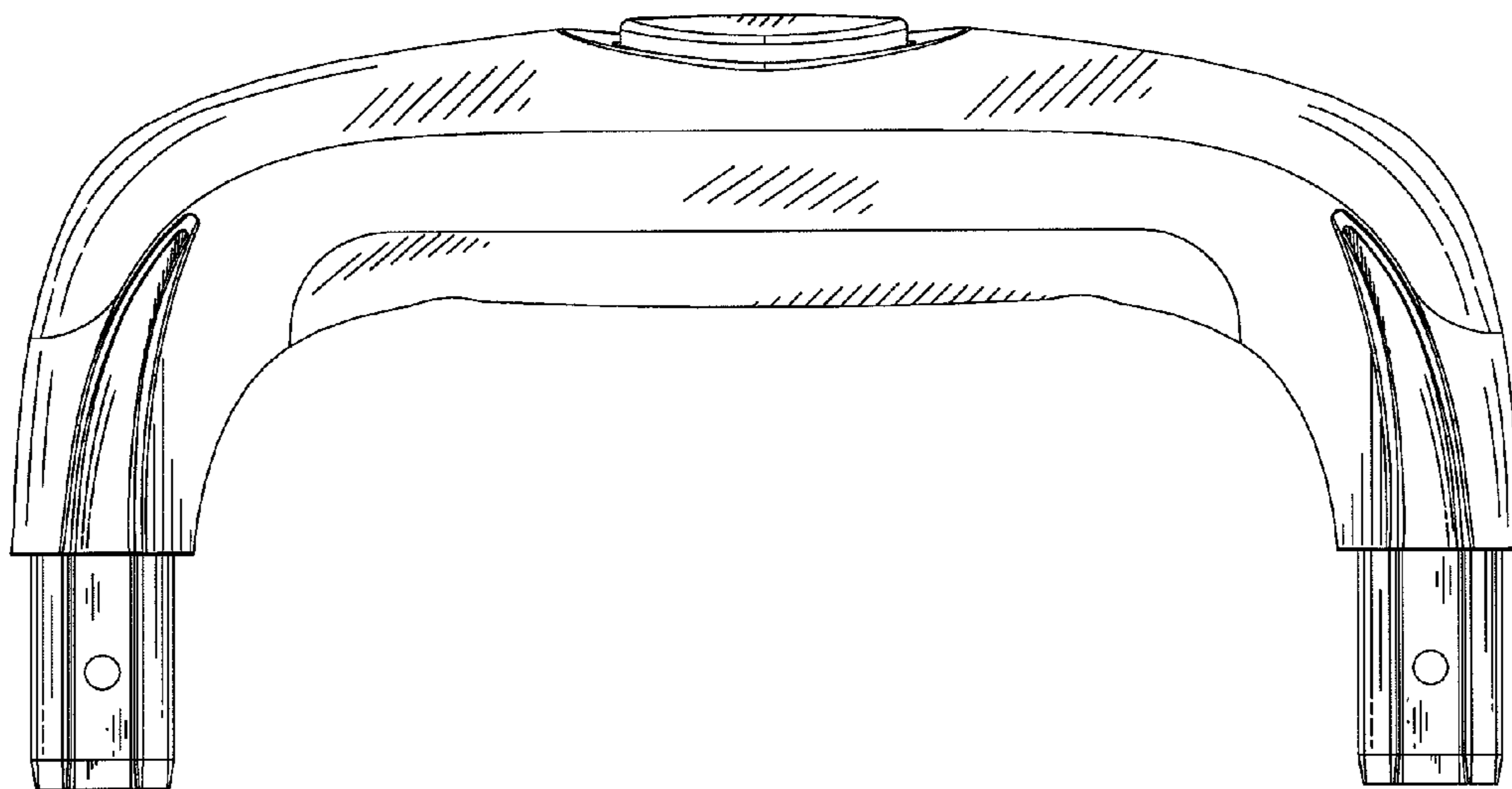


FIG. 2

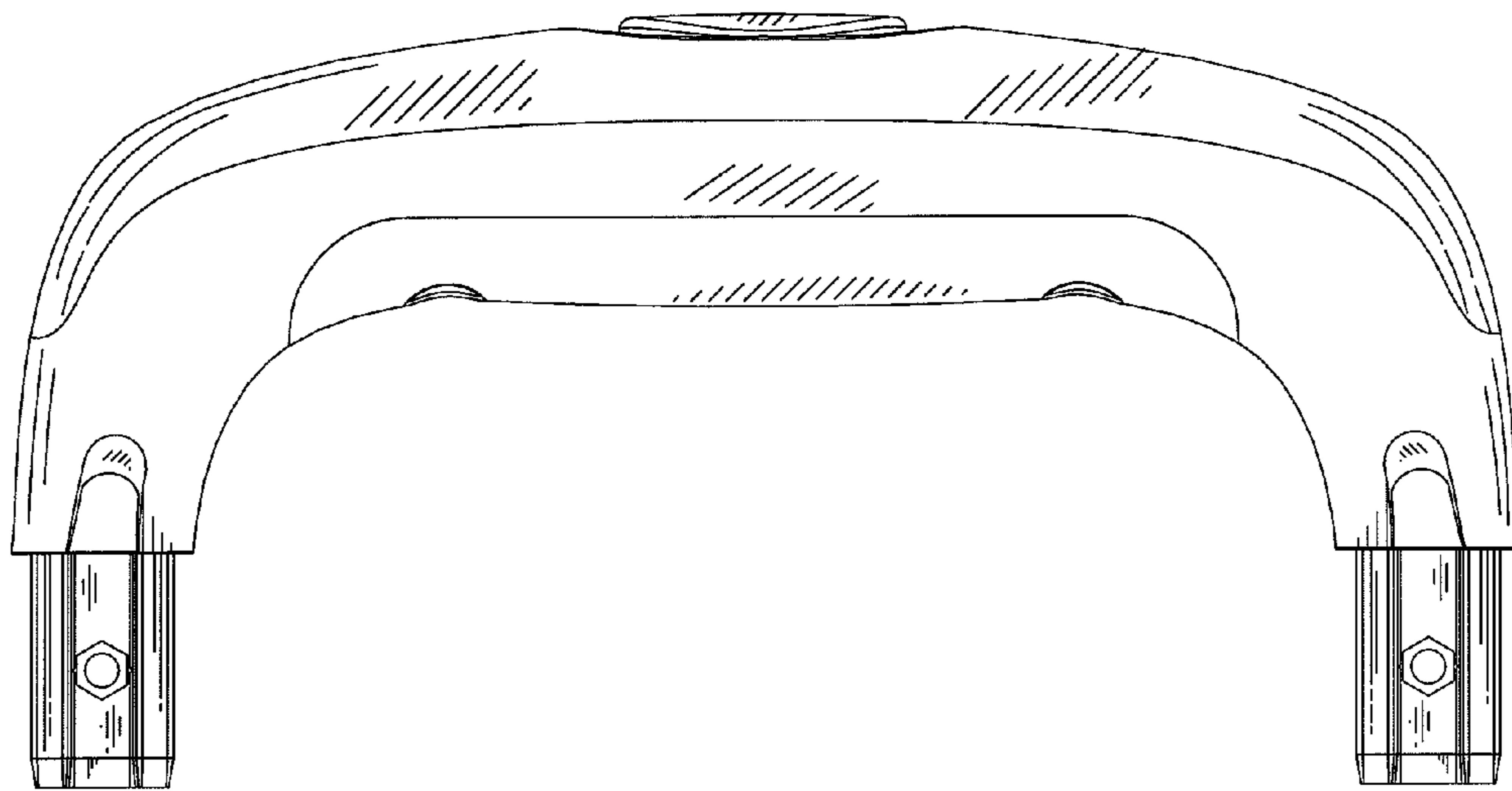


FIG. 3

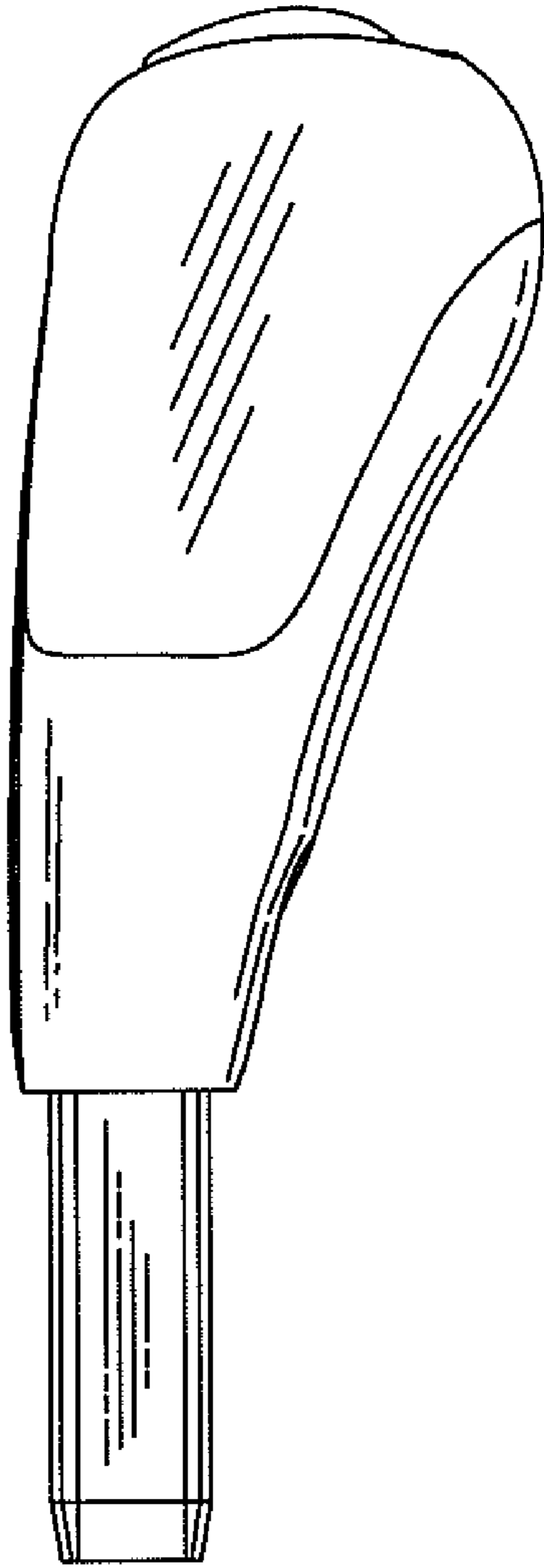


FIG. 4

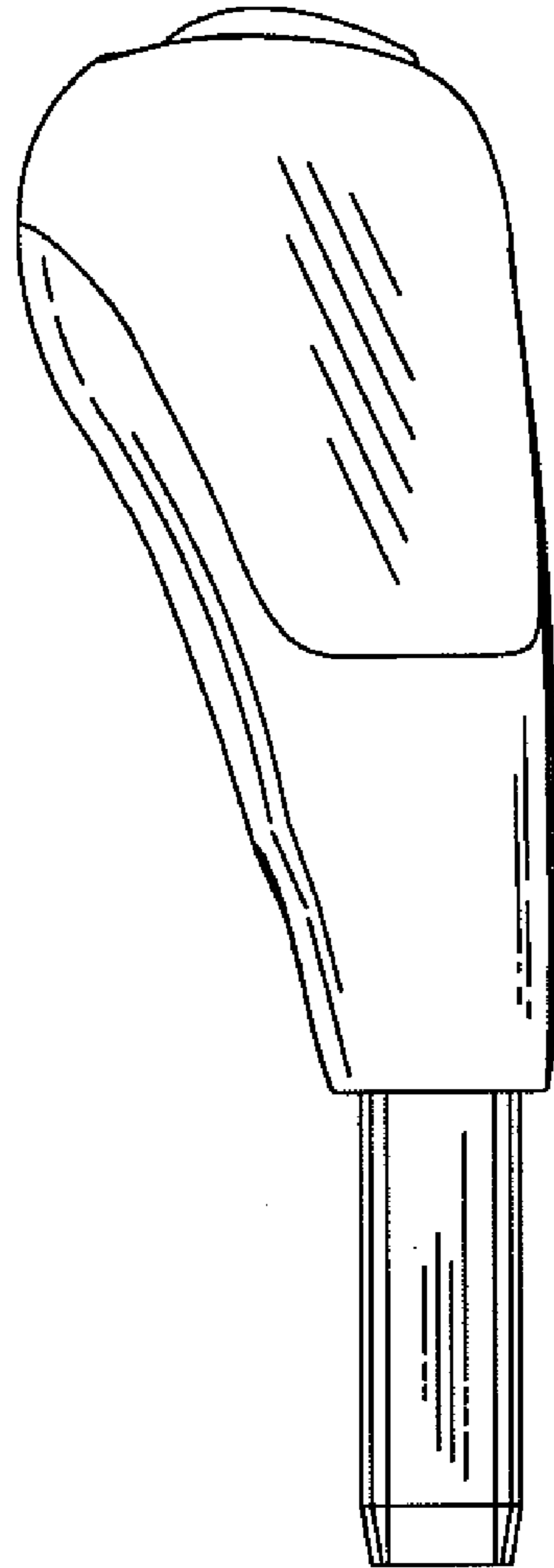


FIG. 5

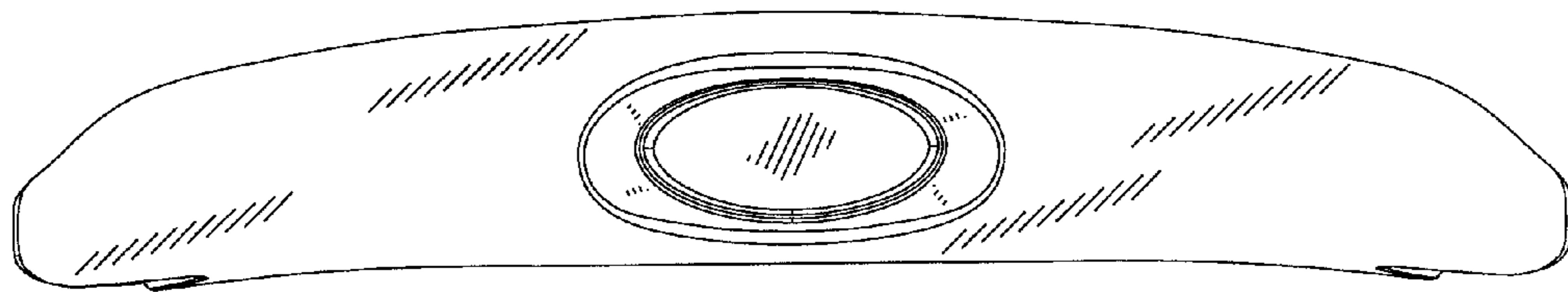


FIG. 6

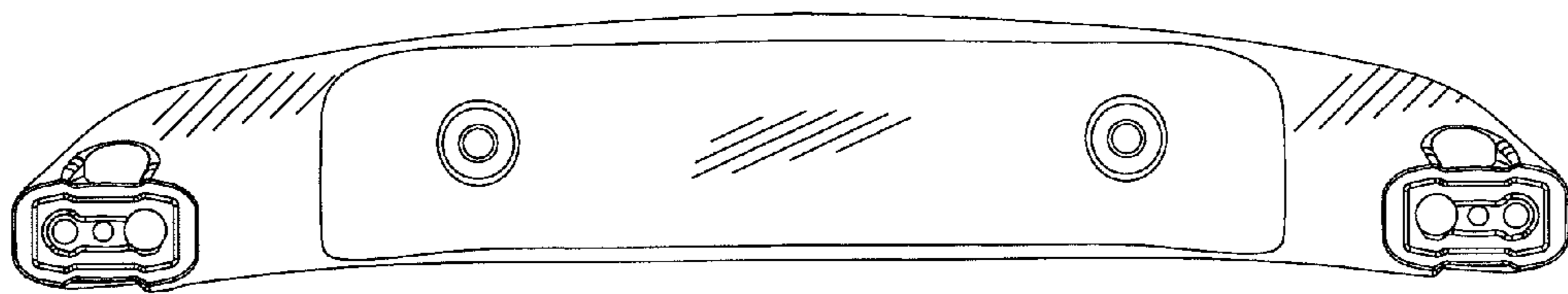


FIG. 7