



US00D665579S

(12) **United States Design Patent**
Fair et al.

(10) **Patent No.:** **US D665,579 S**

(45) **Date of Patent:** **** Aug. 21, 2012**

(54) **CARRYING CASE**

(75) Inventors: **Paul Fair**, Denver, CO (US); **Nathan Zwetzig**, Westminster, CO (US)

(73) Assignee: **Thule Organization Solutions, Inc.**, Longmont, CO (US)

(**) Term: **14 Years**

(21) Appl. No.: **29/402,841**

(22) Filed: **Sep. 28, 2011**

(51) **LOC (9) Cl.** **28-03**

(52) **U.S. Cl.** **D3/289; D3/301**

(58) **Field of Classification Search** D3/273, D3/276, 280, 283–293, 301, 300, 294; 190/100–127, 190/900–903; 150/106, 107, 108, 110, 111, 150/112, 118; 206/320

See application file for complete search history.

(56) **References Cited**

U.S. PATENT DOCUMENTS

6,896,134 B2 * 5/2005 Russell et al. 206/320
D529,717 S * 10/2006 Brancky D3/285
D568,047 S * 5/2008 Brancky D3/284

D574,615 S * 8/2008 Picot et al. D3/289
D628,384 S * 12/2010 McCarthy D3/289
D643,214 S * 8/2011 Weedon et al. D3/276
D646,061 S * 10/2011 Chang D3/323

* cited by examiner

Primary Examiner — Jennifer Rivard

(74) *Attorney, Agent, or Firm* — Sheridan Ross P.C.

(57) **CLAIM**

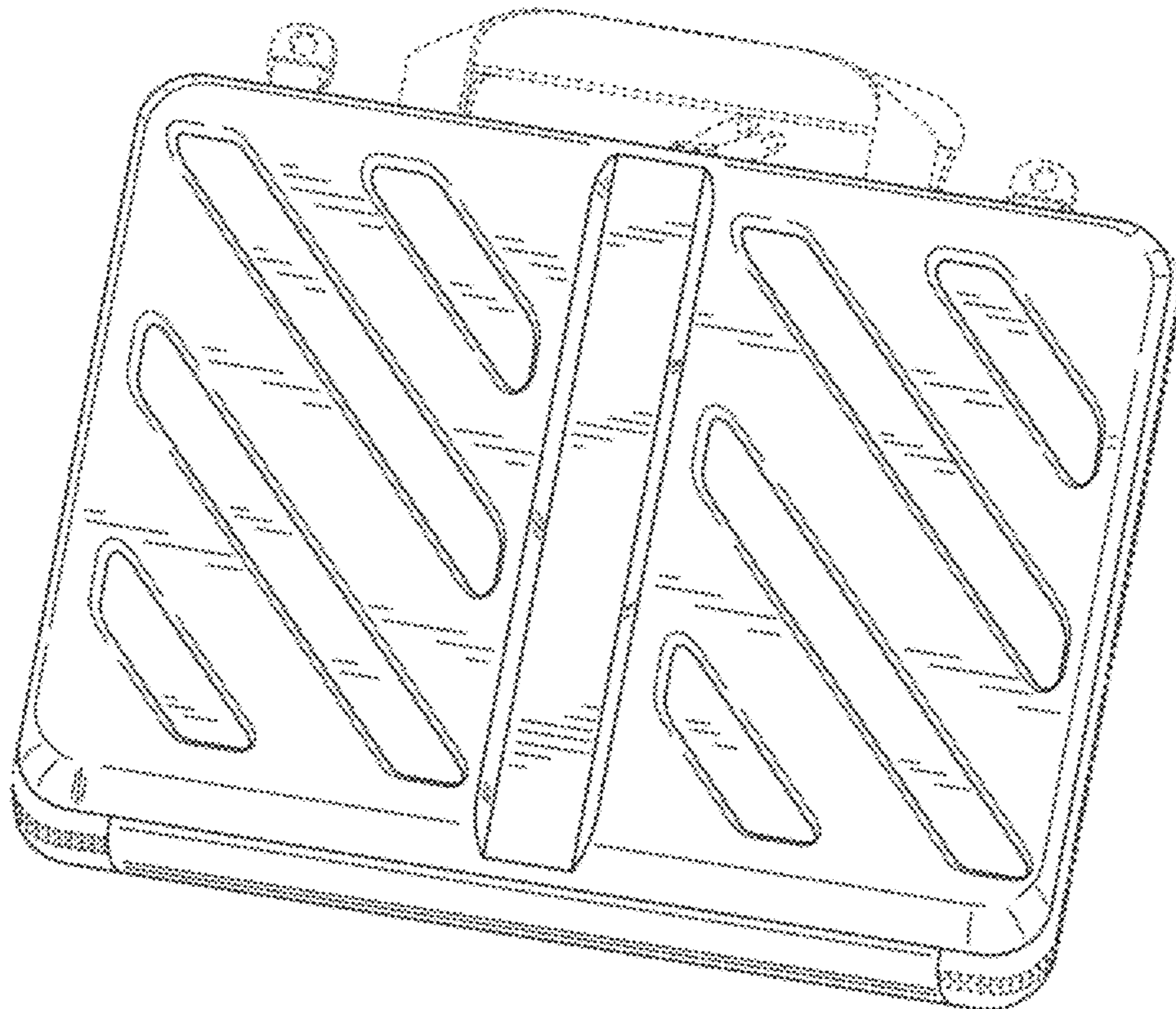
The ornamental design for a carrying case, as shown and described.

DESCRIPTION

FIG. 1 is a front perspective view of the carrying case; FIG. 2 is a front elevation view thereof; FIG. 3 is a rear elevation view thereof; FIG. 4 is a left elevation view thereof; FIG. 5 is a right elevation view thereof; FIG. 6 is a top plan view thereof; and, FIG. 7 is a bottom plan view thereof.

The broken showing of a carrying case is included for the purpose of illustrating environment and forms no part of the claimed design.

1 Claim, 5 Drawing Sheets



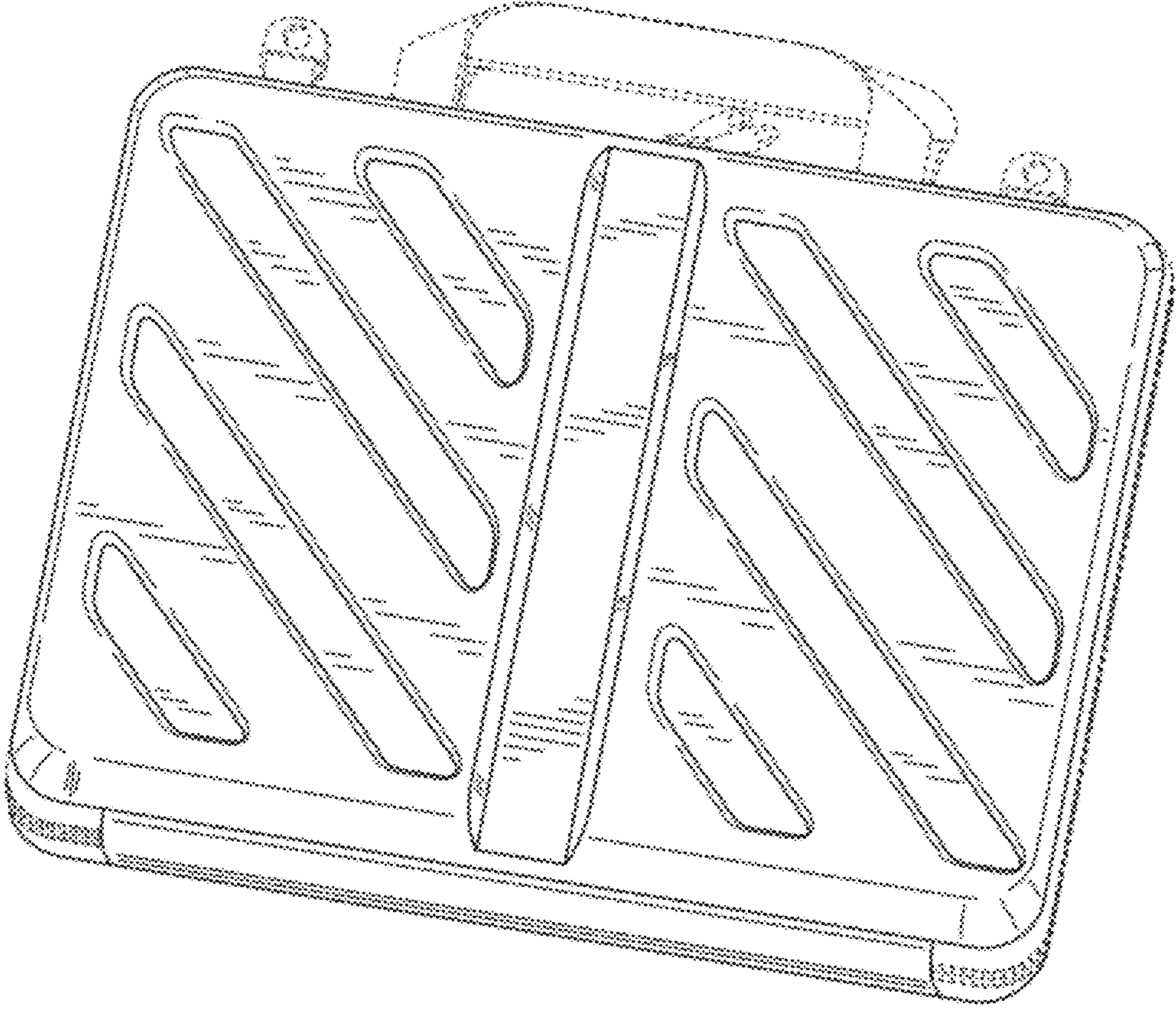


FIG.1

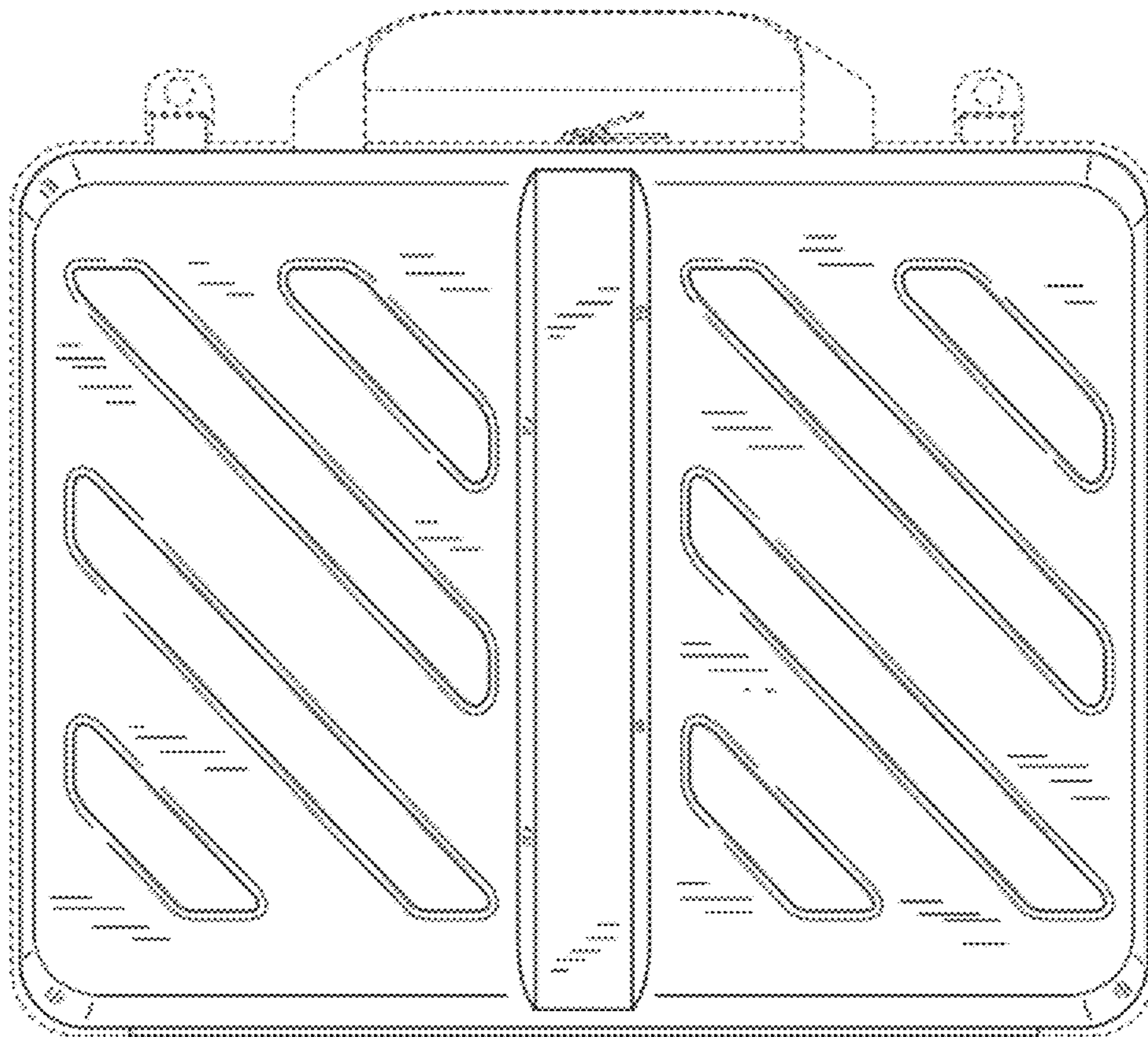


FIG.2

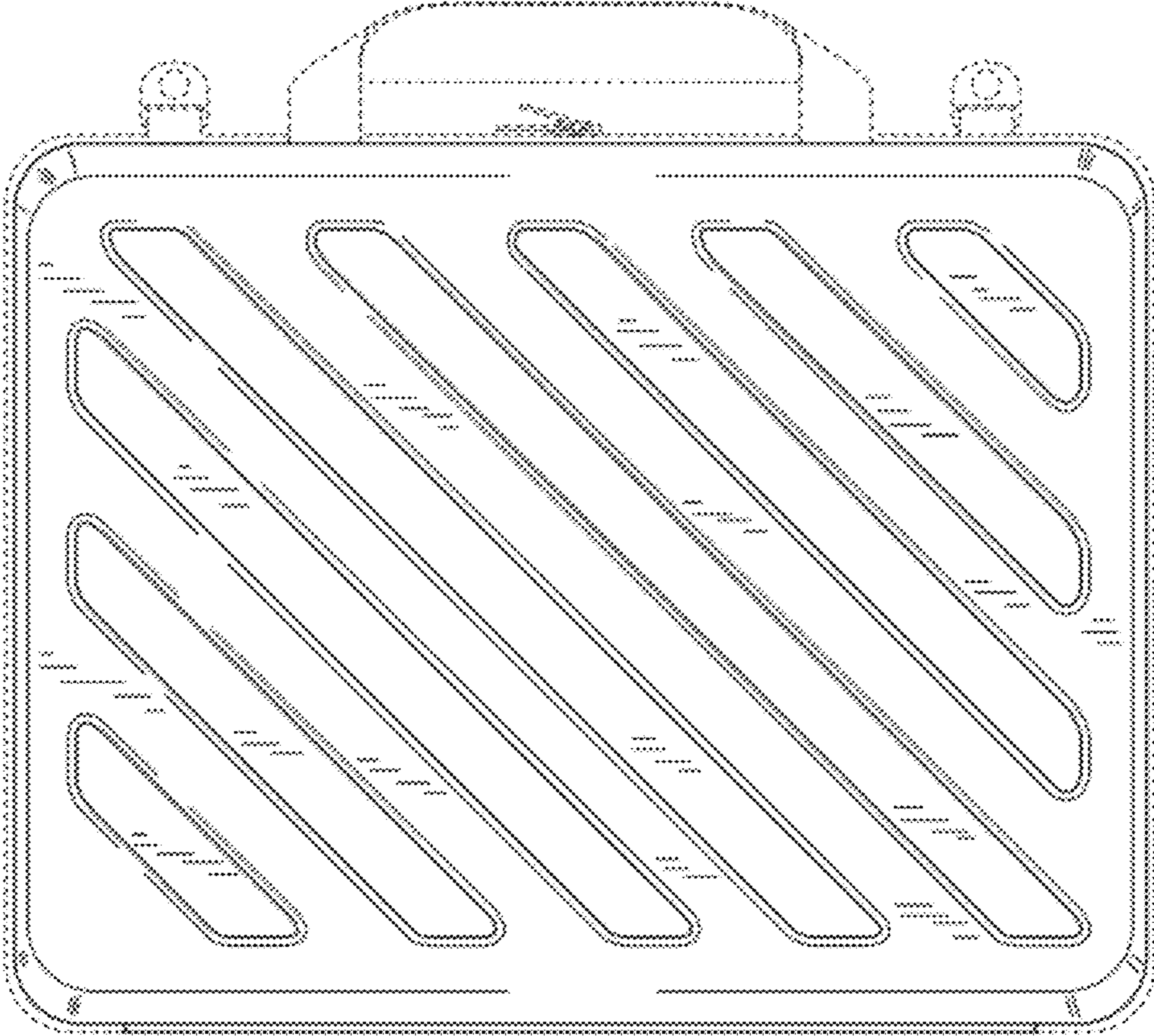


FIG.3

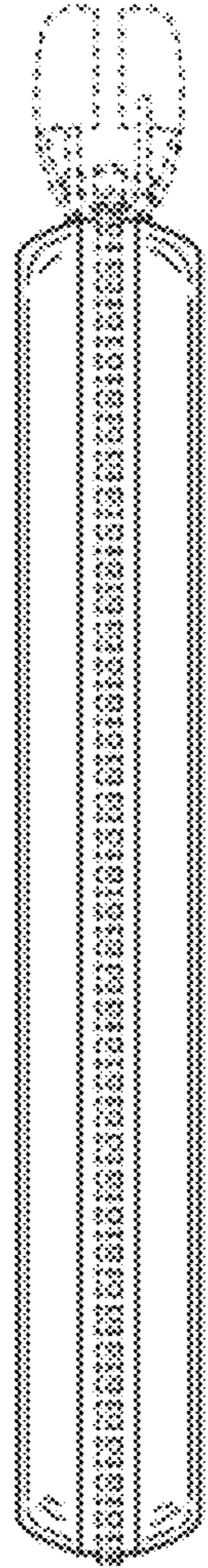


FIG. 4

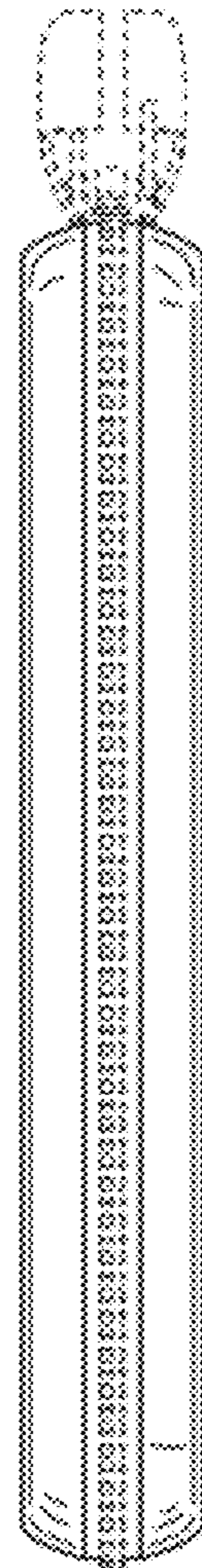


FIG. 5

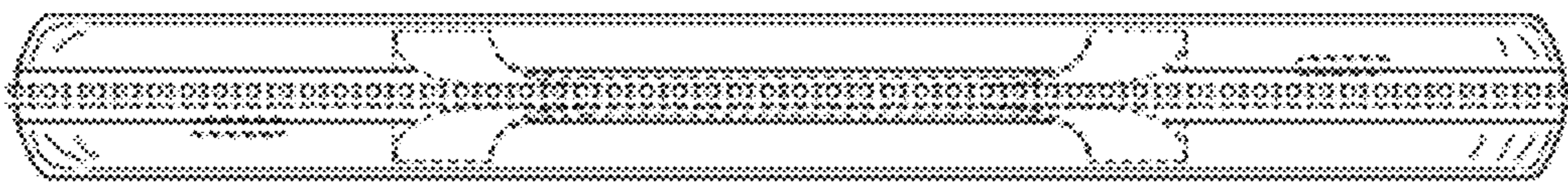


FIG. 6

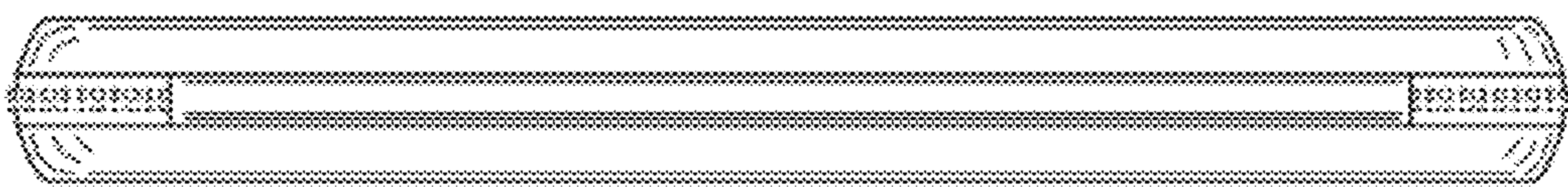


FIG. 7