



US00D665573S

(12) **United States Design Patent**
Crandall

(10) **Patent No.:** **US D665,573 S**

(45) **Date of Patent:** **** Aug. 21, 2012**

(54) **BACKPACK**

(75) **Inventor:** **Kevin Duane Crandall**, Santa Rosa, CA (US)

(73) **Assignee:** **DayMen Canada Acquisition ULC**, Vancouver (CA)

(**) **Term:** **14 Years**

(21) **Appl. No.:** **29/375,233**

(22) **Filed:** **Sep. 20, 2010**

(51) **LOC (9) Cl.** **03-01**

(52) **U.S. Cl.** **D3/217**

(58) **Field of Classification Search** D3/214,
D3/215, 216, 217, 270; D2/830; 224/153,
224/576, 577, 578

See application file for complete search history.

(56) **References Cited**

U.S. PATENT DOCUMENTS

D249,190	S	*	8/1978	Stewart	D3/217
D375,622	S	*	11/1996	Croft	D3/217
D392,094	S	*	3/1998	Lane	D3/217
D418,972	S	*	1/2000	Gold	D3/217
D456,601	S	*	5/2002	Kegels	D3/217
D457,307	S	*	5/2002	Pukall et al.	D3/217
D469,952	S	*	2/2003	Daglow et al.	D3/216
D484,686	S	*	1/2004	Nordstrom et al.	D3/217
D550,448	S	*	9/2007	Boje et al.	D3/217
D552,845	S	*	10/2007	Shor et al.	D3/217
D569,099	S	*	5/2008	Gossett	D3/217

D604,503	S	*	11/2009	Patadia et al.	D3/217
D610,797	S	*	3/2010	Shor et al.	D3/217
D616,196	S	*	5/2010	Walsh	D3/217
7,851,932	B2	*	12/2010	Rome et al.	290/10
D641,973	S	*	7/2011	Quehl	D3/217
D642,791	S	*	8/2011	Quehl	D3/217
2005/0077329	A1	*	4/2005	Sconzo	224/153
2006/0228051	A1	*	10/2006	Yu	383/2
2007/0062994	A1	*	3/2007	Shoemaker et al.	224/576
2007/0164064	A1	*	7/2007	Nathan	224/153
2008/0116026	A1	*	5/2008	Bass et al.	190/1
2009/0015022	A1	*	1/2009	Rome et al.	290/1 A
2009/0255770	A1	*	10/2009	Slater	190/1

* cited by examiner

Primary Examiner — T. Chase Nelson

(74) *Attorney, Agent, or Firm* — Medler Ferro PLLC

(57) **CLAIM**

The ornamental design for a backpack, as shown and described.

DESCRIPTION

FIG. 1 is a front, left perspective view of an embodiment of a backpack showing my new design.

FIG. 2 is a front view of of the backpack.

FIG. 3 is a rear view of the backpack.

FIG. 4 is a left side view of the backpack.

FIG. 5 is a right side view of the backpack.

FIG. 6 is a top view of the backpack; and,

FIG. 7 is a bottom view of the backpack.

The broken lines are environmental only and form no part of the claimed design.

1 Claim, 5 Drawing Sheets

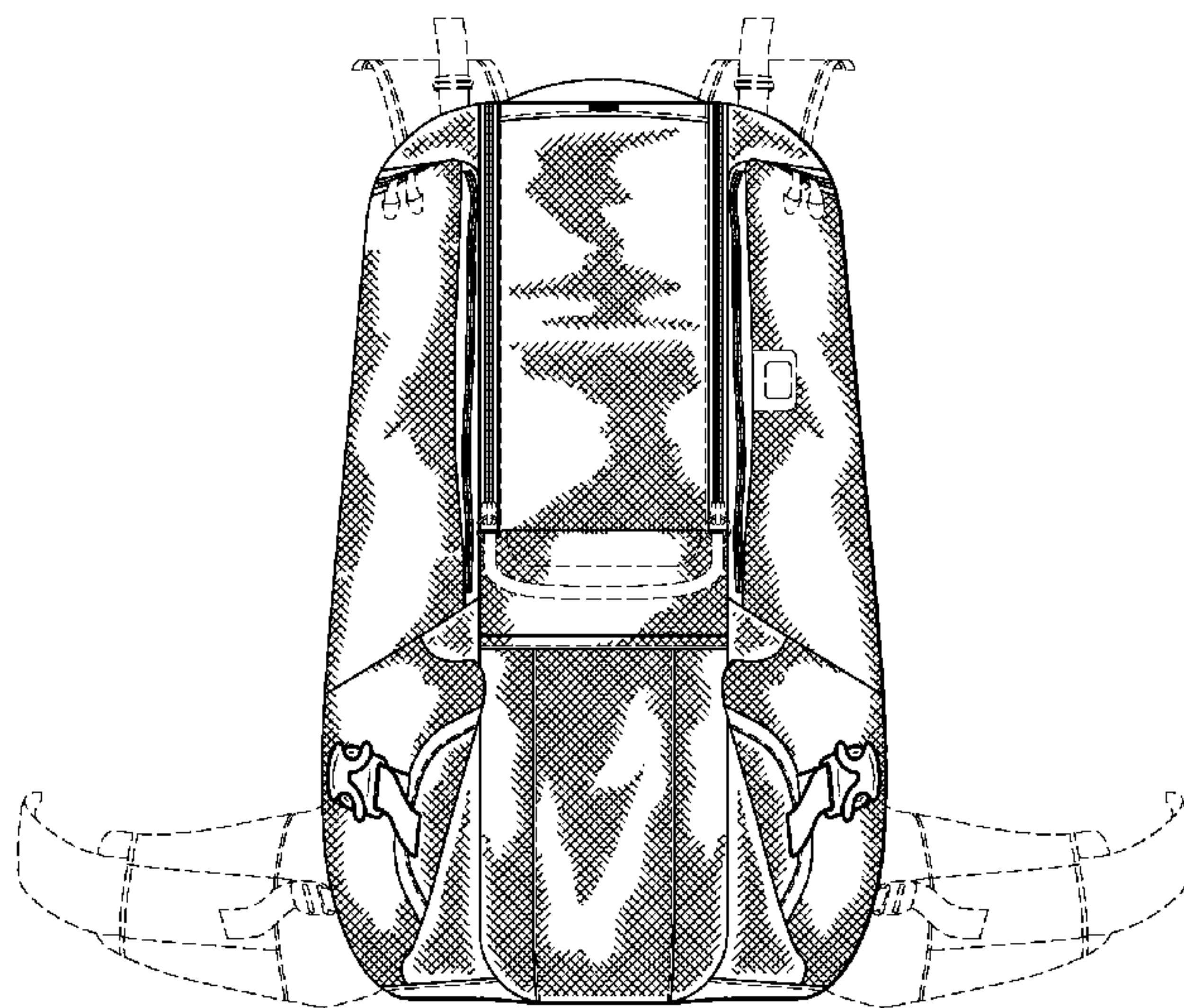
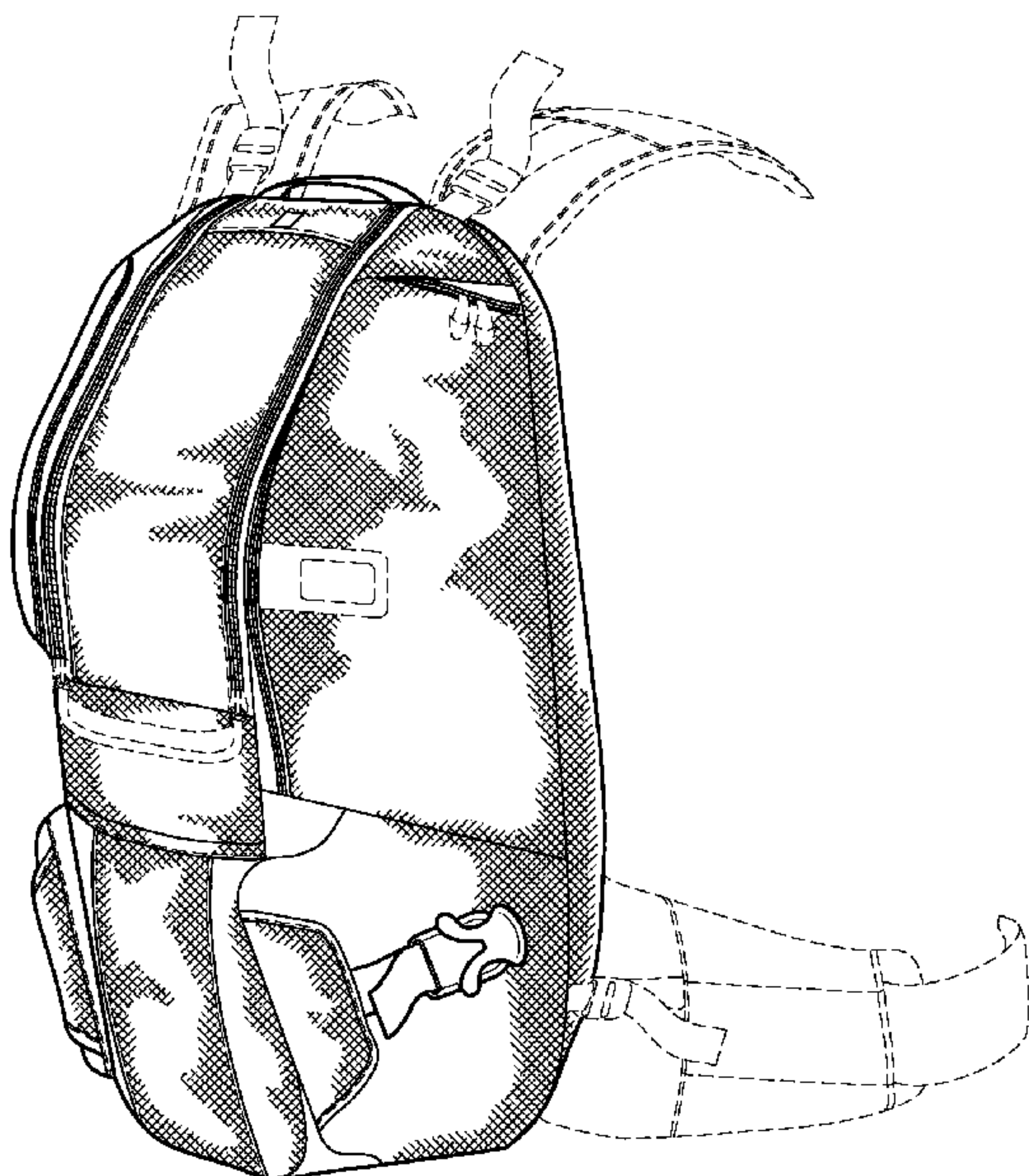




FIG. 1

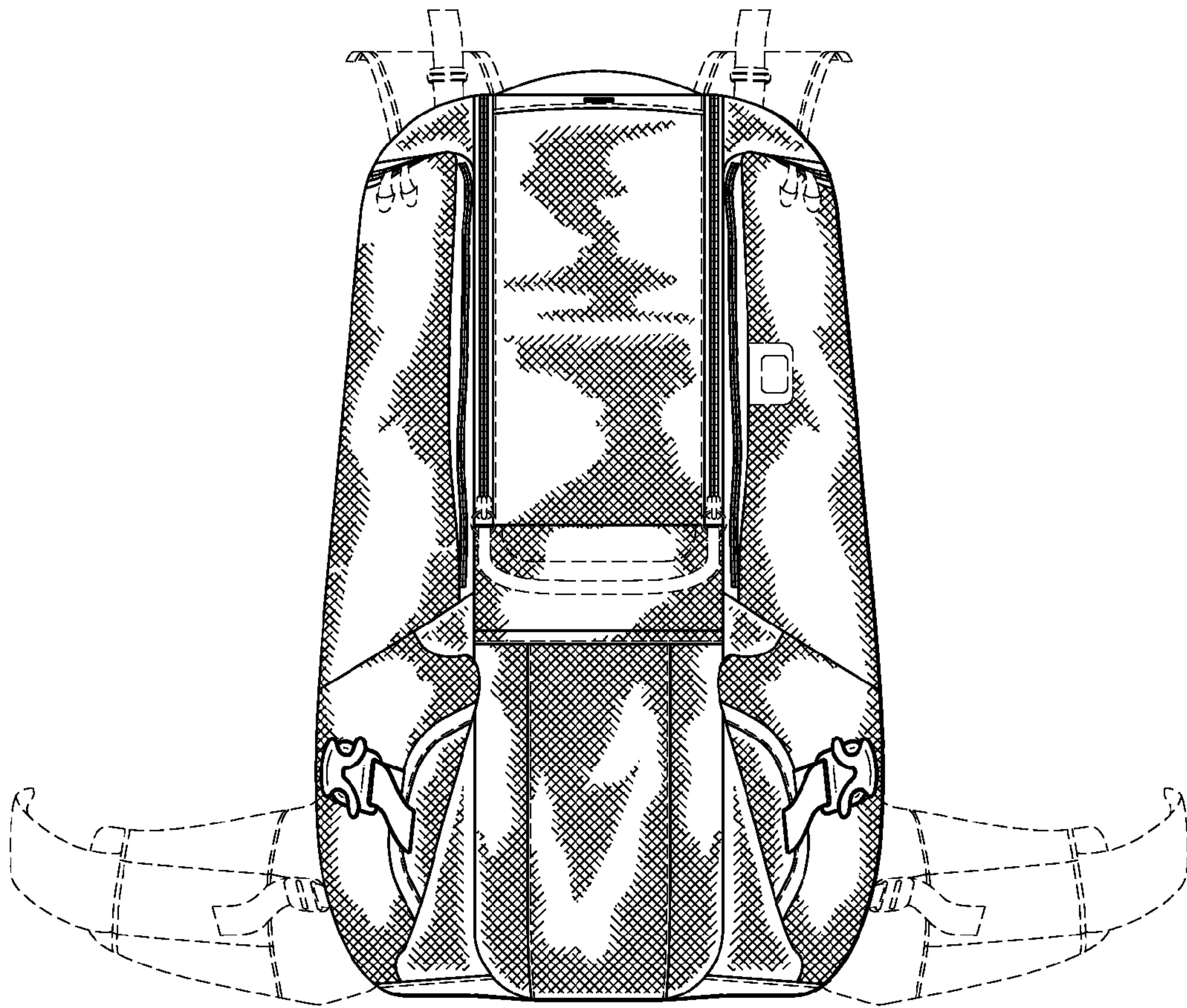


FIG. 2

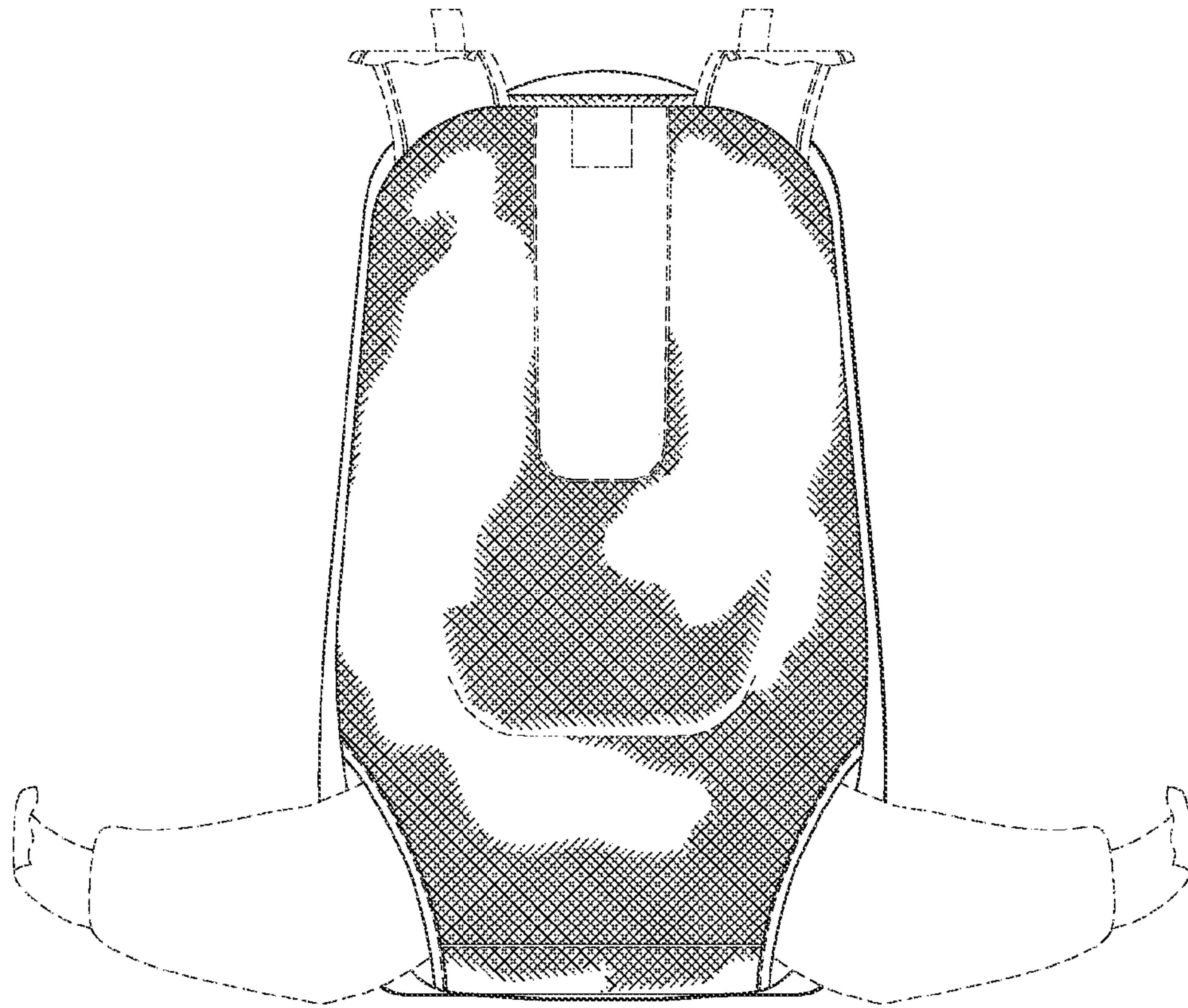


FIG. 3

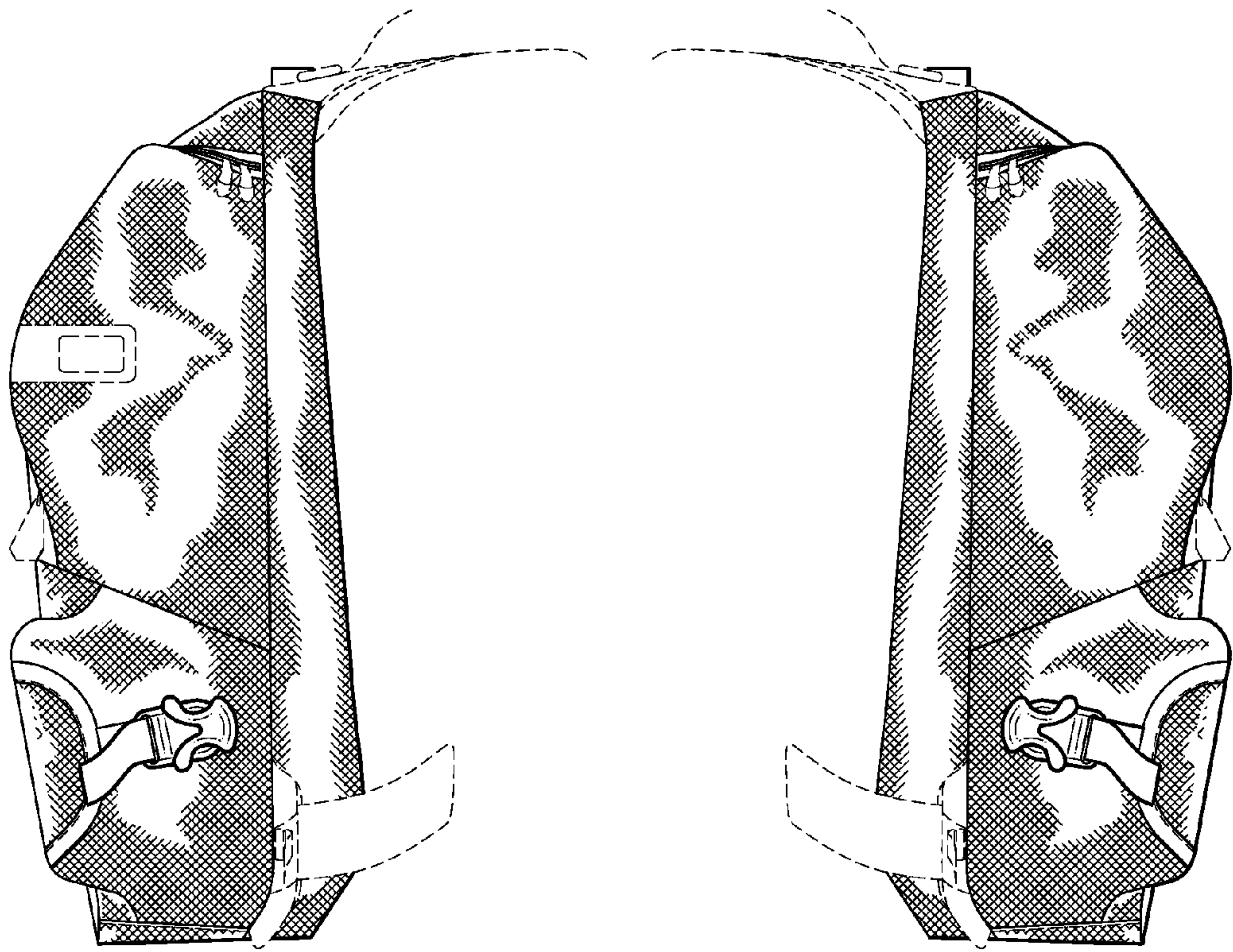


FIG. 4

FIG. 5

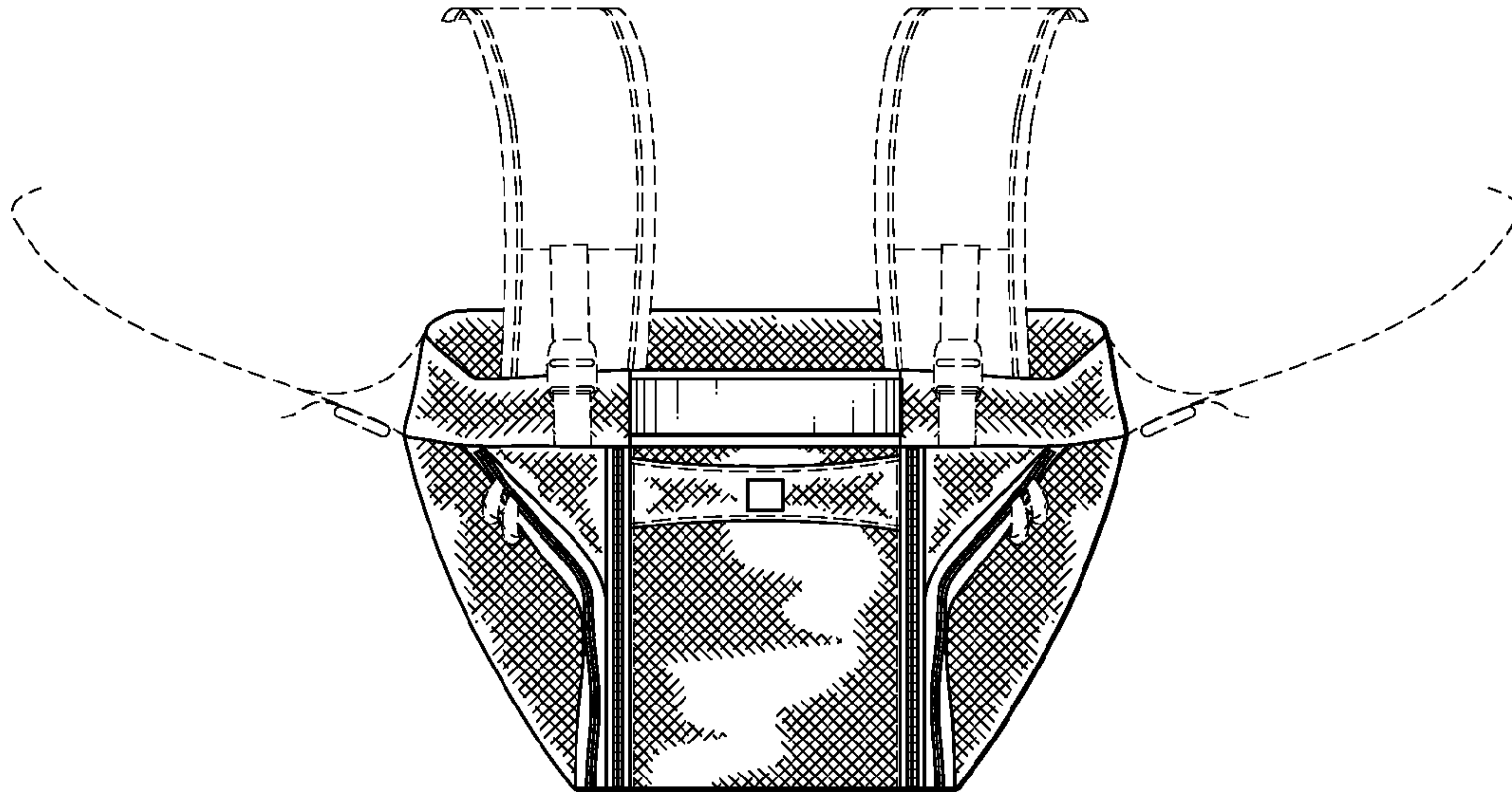


FIG. 6

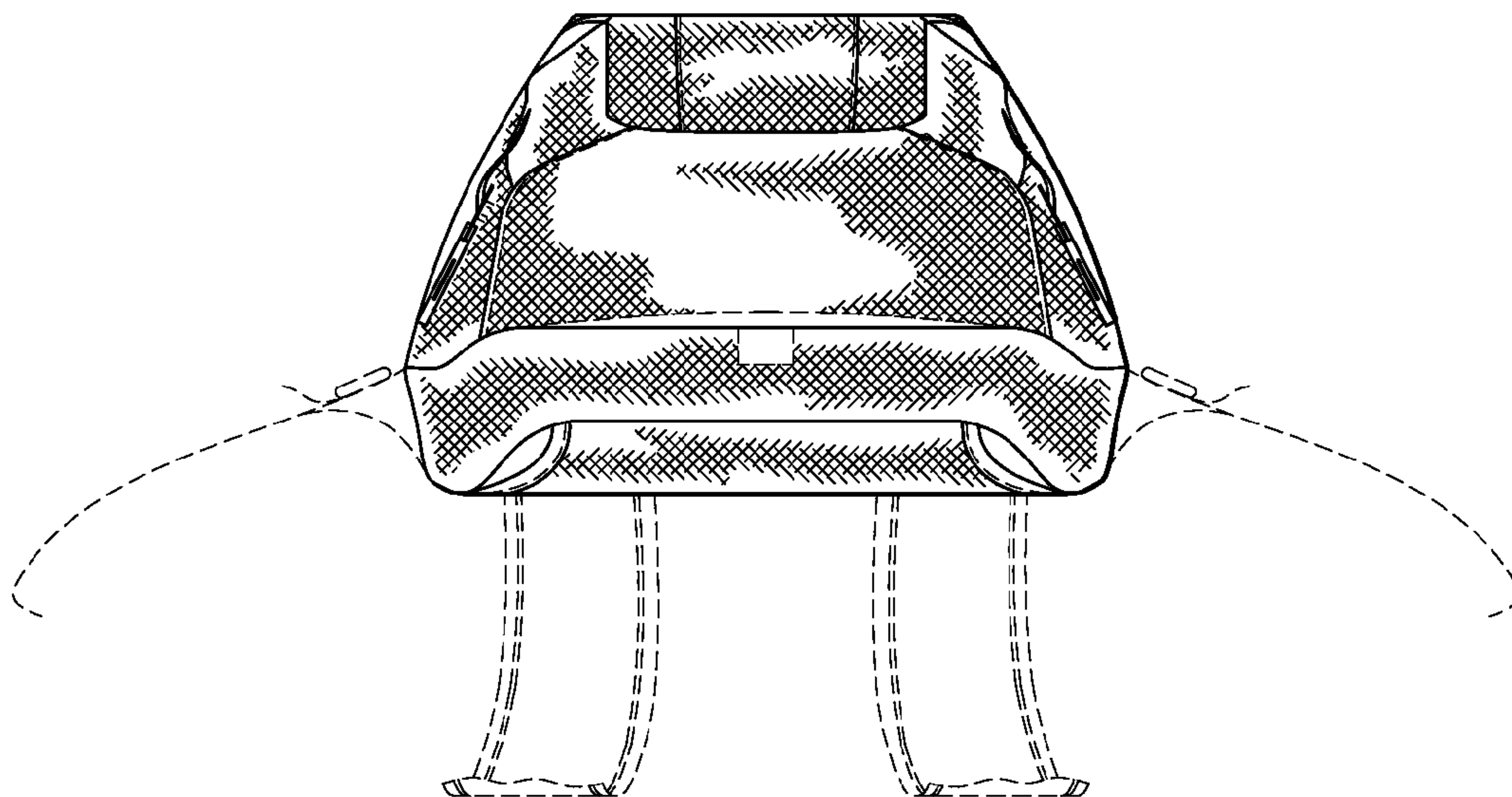


FIG. 7