

US00D665571S

(12) **United States Design Patent**  
**Tello**

(10) **Patent No.:** **US D665,571 S**

(45) **Date of Patent:** **\*\* Aug. 21, 2012**

(54) **PILL BOX**

(75) Inventor: **Ricardo A. Tello**, Santa Fe Springs, CA  
(US)

(73) Assignee: **Sun Coast Merchandise Corp.**,  
Commerce, CA (US)

(\*\*) Term: **14 Years**

(21) Appl. No.: **29/421,014**

(22) Filed: **May 7, 2012**

**Related U.S. Application Data**

(63) Continuation of application No. 13/068,871, filed on  
Jan. 9, 2009.

(51) **LOC (9) Cl.** ..... **03-01**

(52) **U.S. Cl.** ..... **D3/203.2**

(58) **Field of Classification Search** ..... D3/201-205,  
D3/265-266, 294; 206/5, 5.1, 6, 528-540;  
D9/414, 417-418, 422-423, 425, 428, 529

See application file for complete search history.

(56) **References Cited**

U.S. PATENT DOCUMENTS

D259,596	S	*	6/1981	Gray	.....	D3/205
D430,727	S	*	9/2000	Wisniewski	.....	D3/265
D460,690	S	*	7/2002	Doerschlag	.....	D9/423
D463,101	S	*	9/2002	Gardner	.....	D3/203.2
6,729,467	B1	*	5/2004	King	.....	206/5
D514,308	S	*	2/2006	Wahl et al.	.....	D3/203.2
D652,204	S	*	1/2012	Lindqvist et al.	.....	D3/203.2

\* cited by examiner

*Primary Examiner* — Catheri Oliver

(74) *Attorney, Agent, or Firm* — Steven E. Shapiro

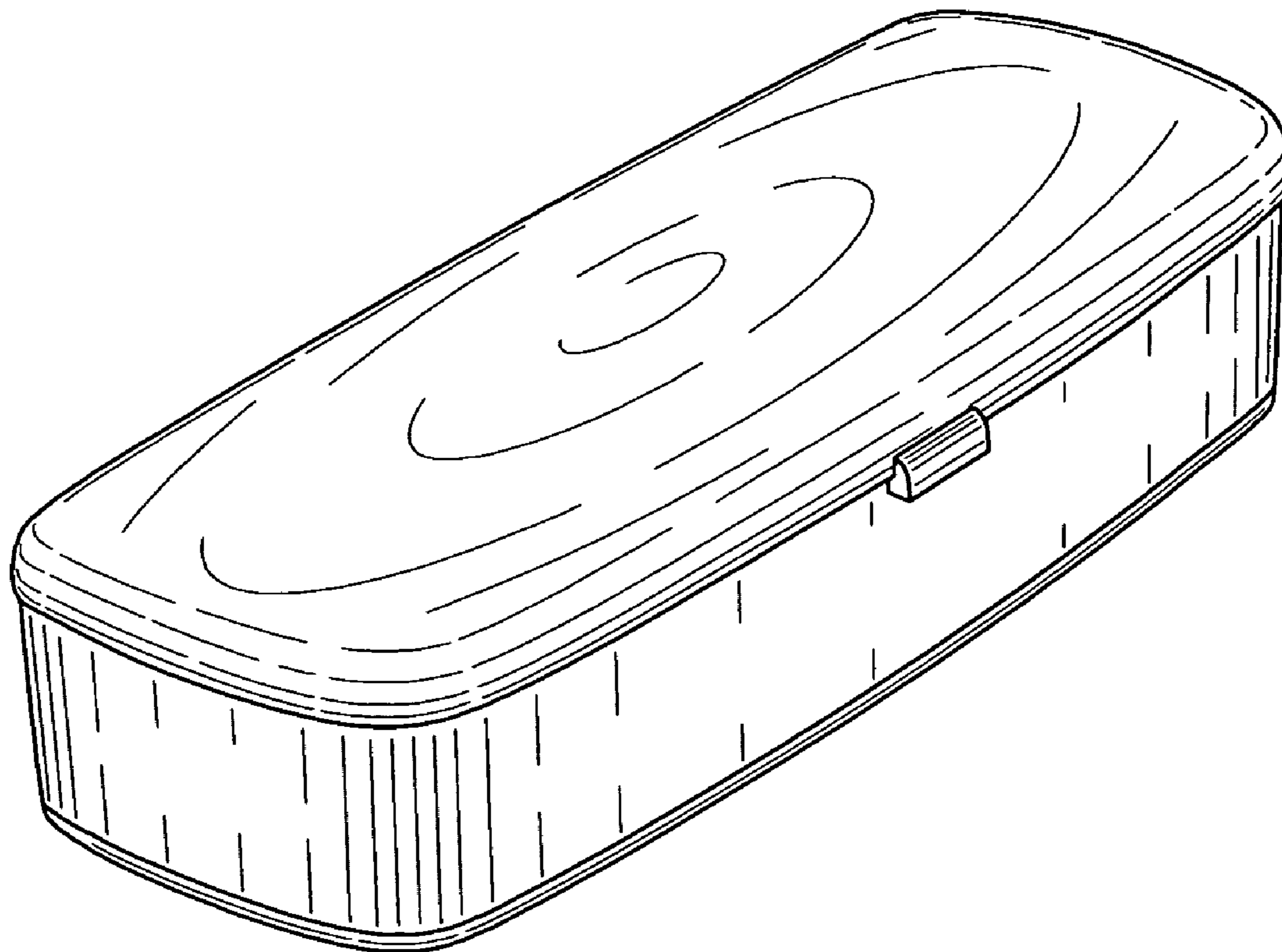
(57) **CLAIM**

The ornamental design for a pill box, as shown and described.

**DESCRIPTION**

FIG. 1 is a top perspective view of a pill box;  
FIG. 2 is a bottom perspective view of the pill box;  
FIG. 3 is a front view of the pill box;  
FIG. 4 is a rear view of the pill box;  
FIG. 5 is a top view of the pill box;  
FIG. 6 is a bottom view of the pill box;  
FIG. 7 is a left side view of the pill box; and,  
FIG. 8 is a right side view of the pill box.

**1 Claim, 4 Drawing Sheets**



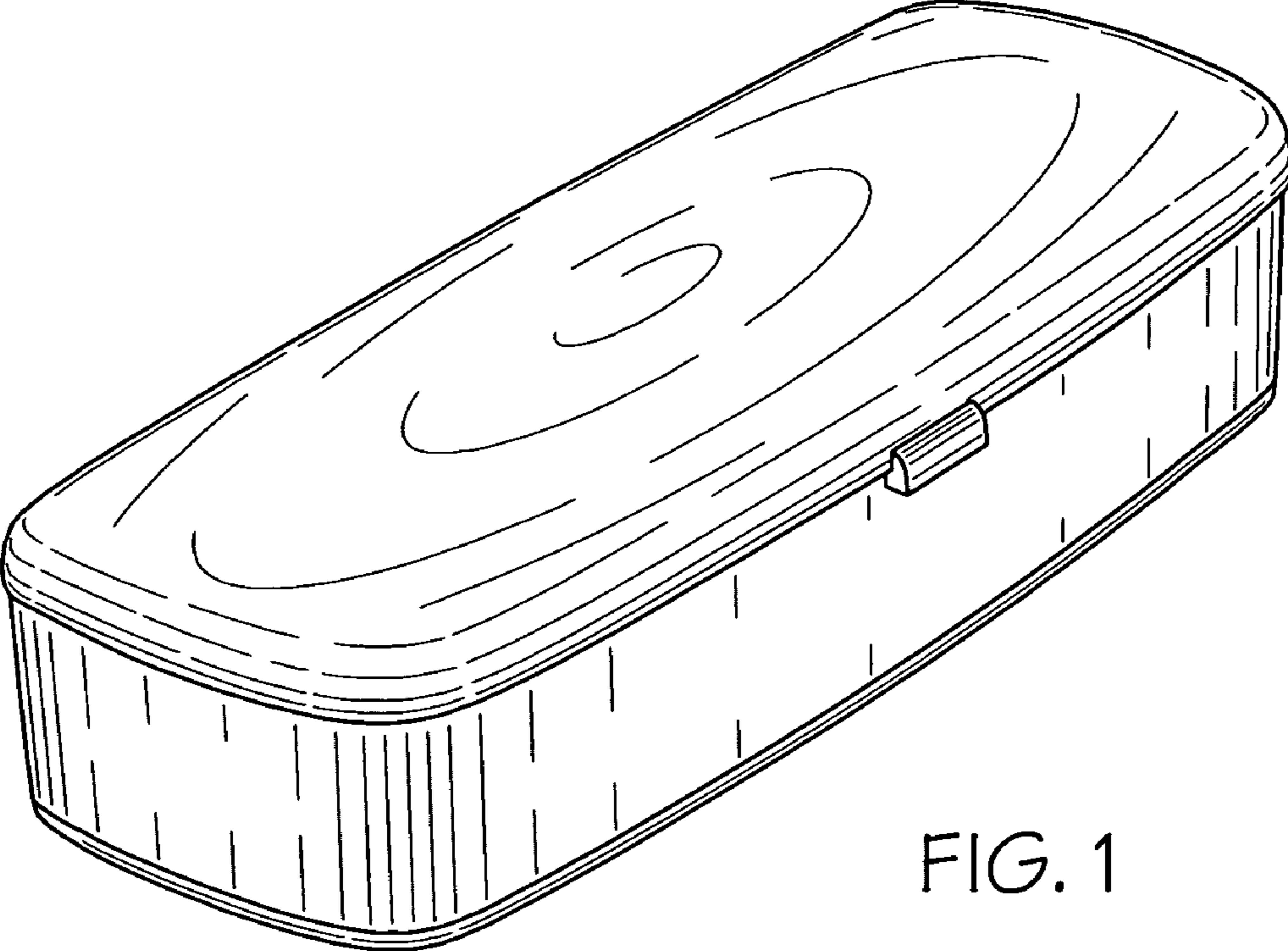


FIG. 1

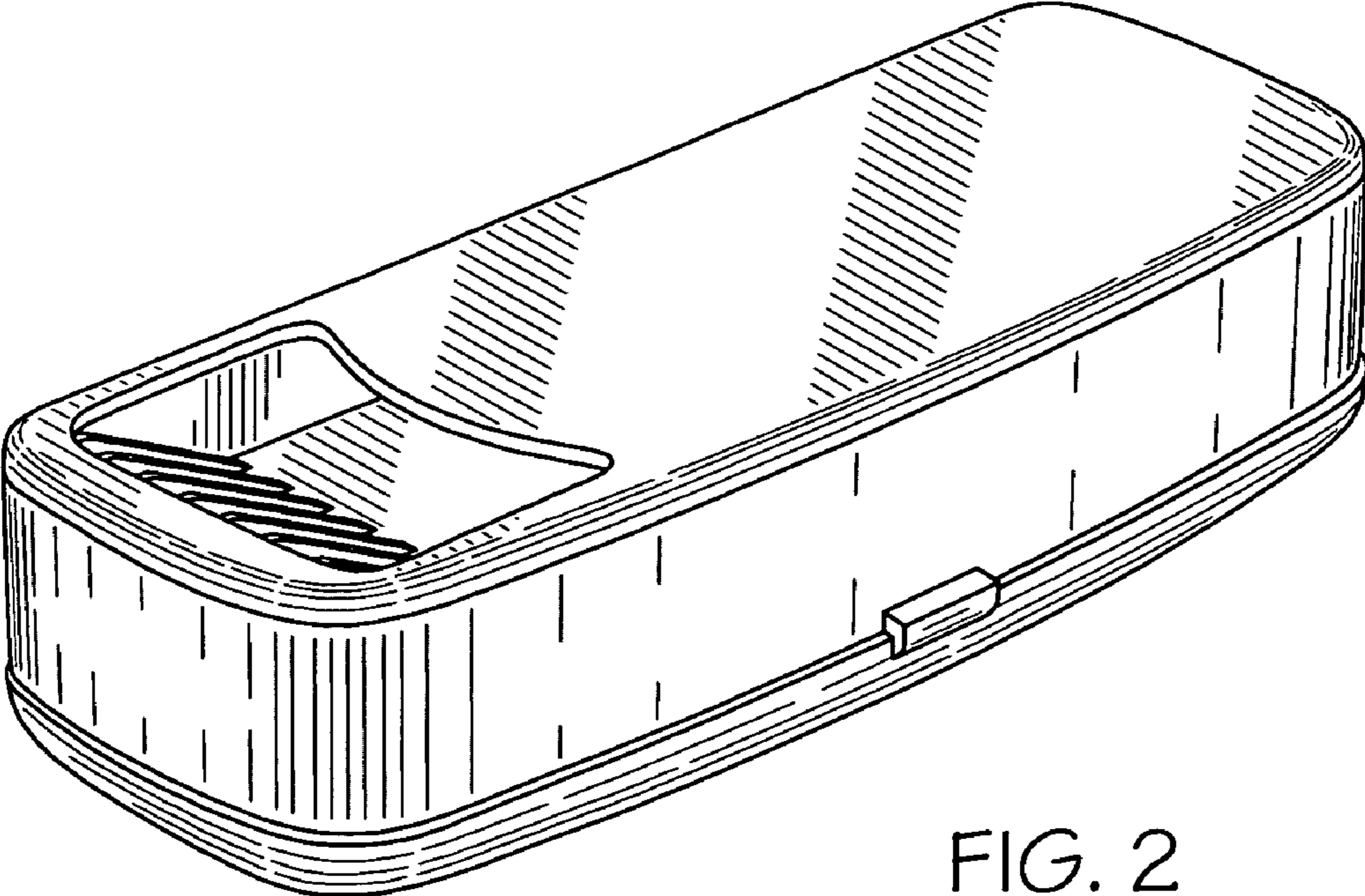


FIG. 2

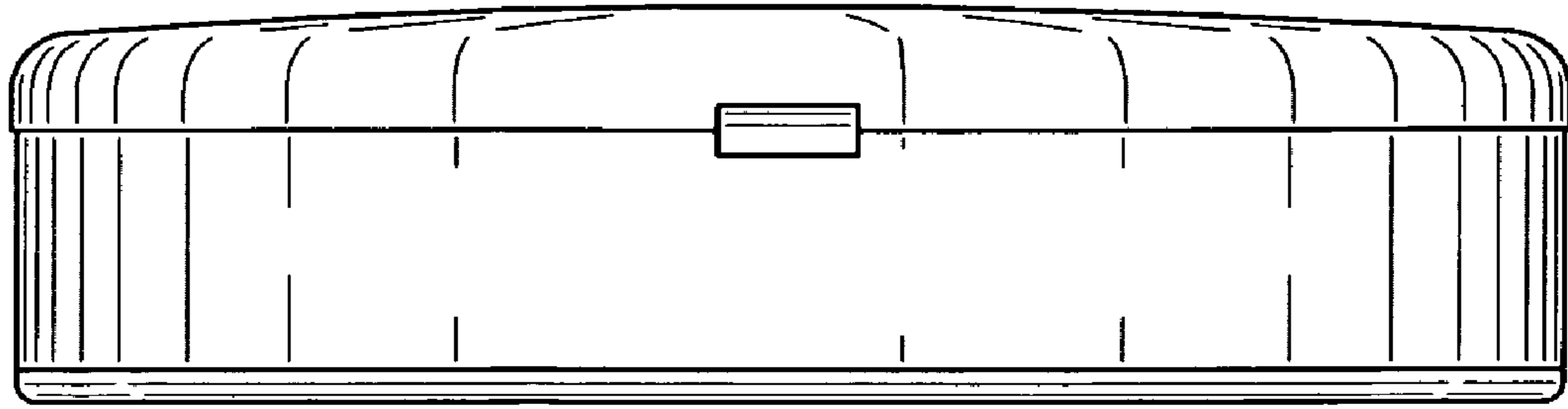


FIG. 3

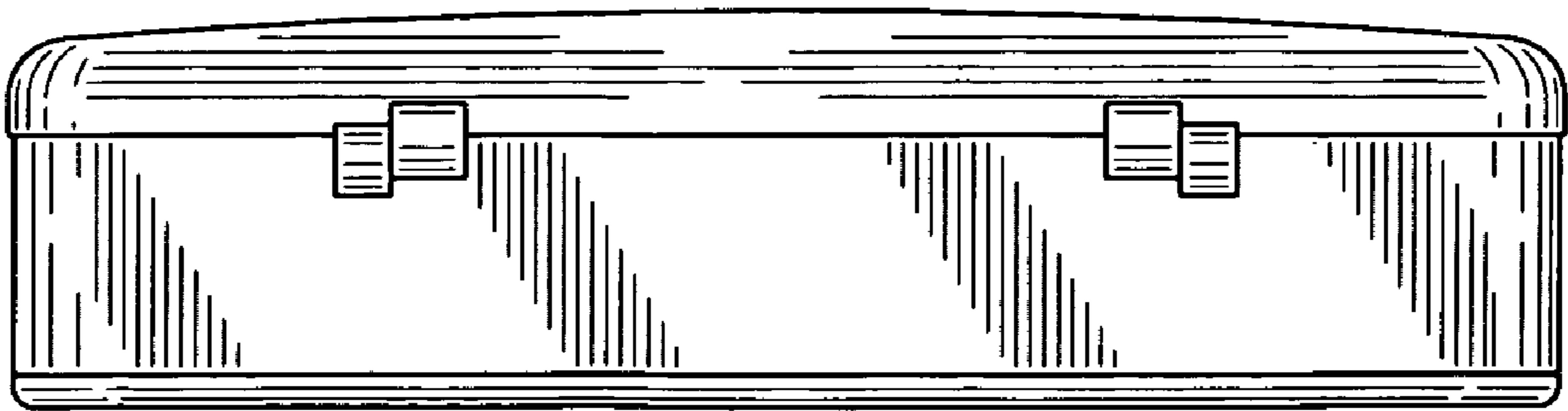


FIG. 4

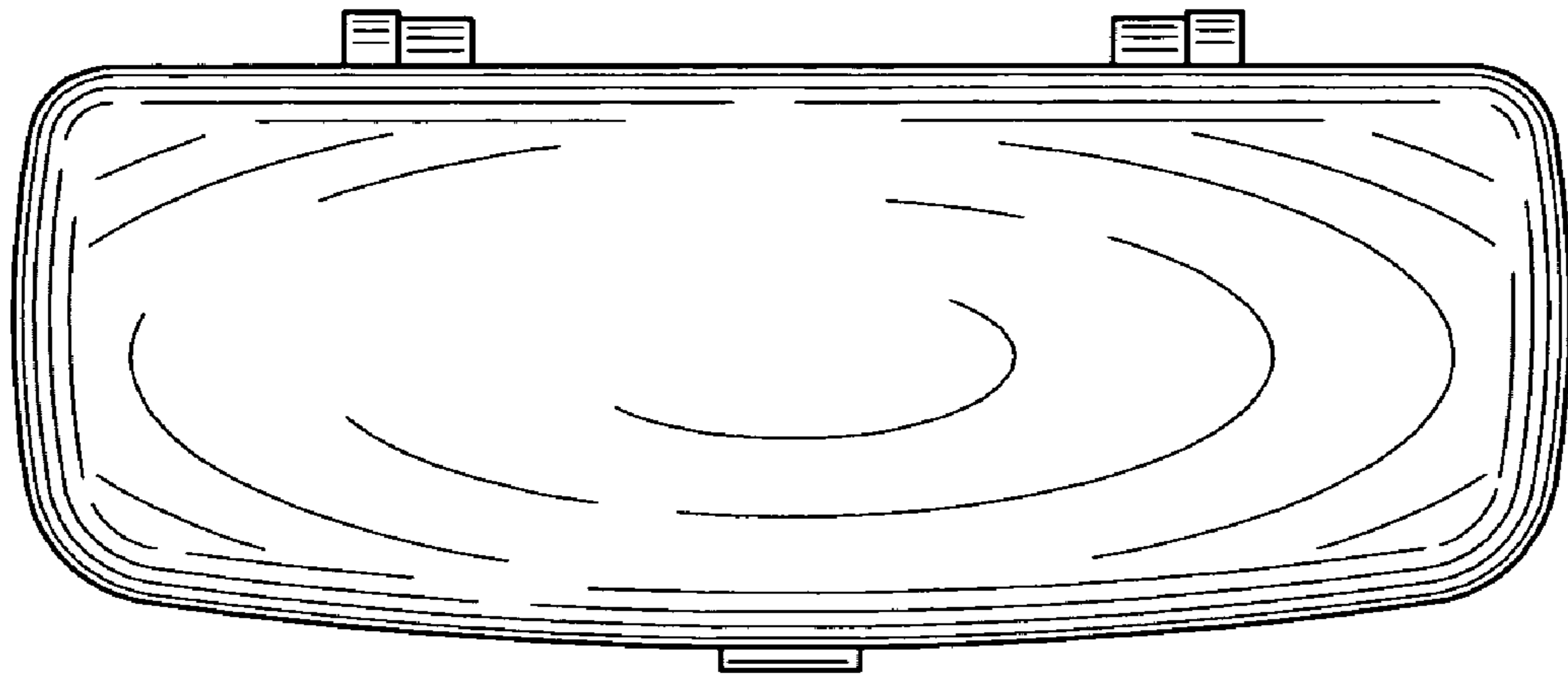


FIG. 5

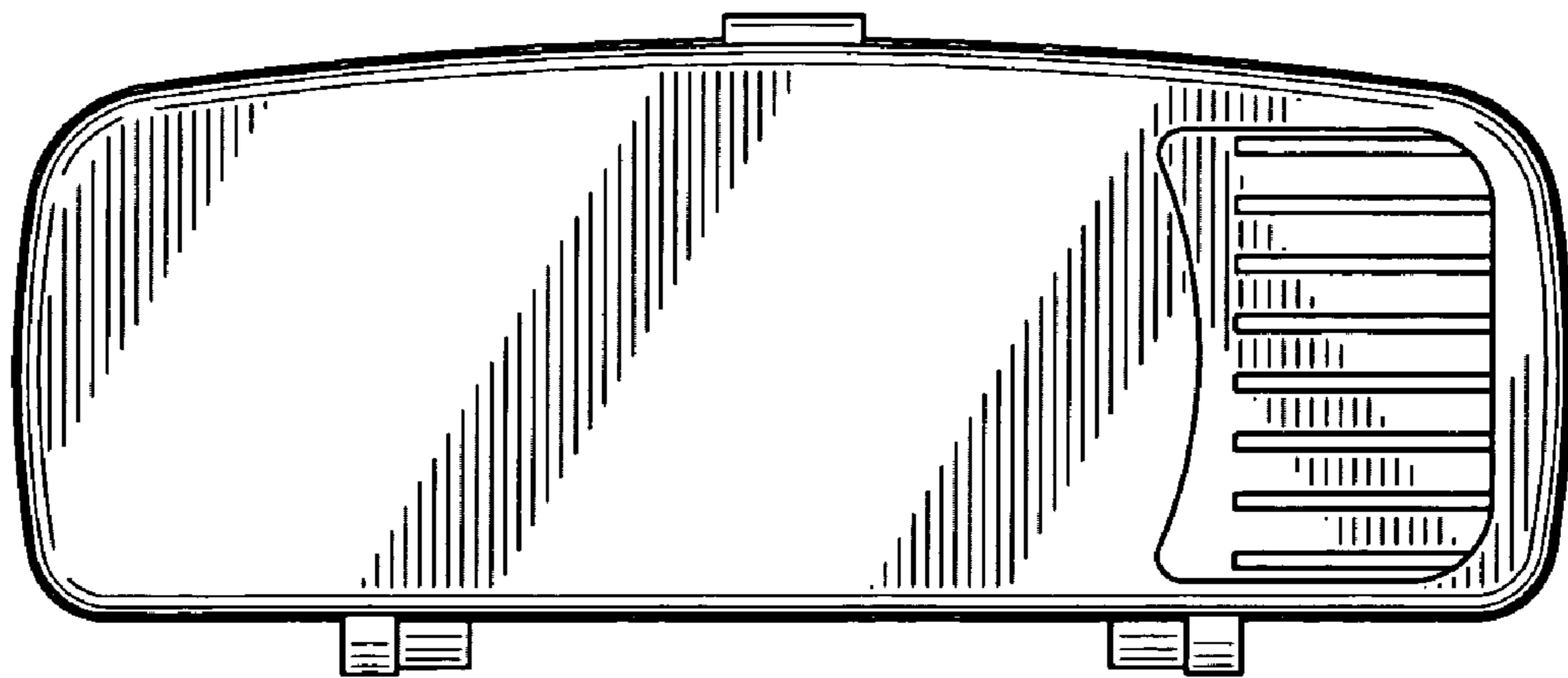


FIG. 6

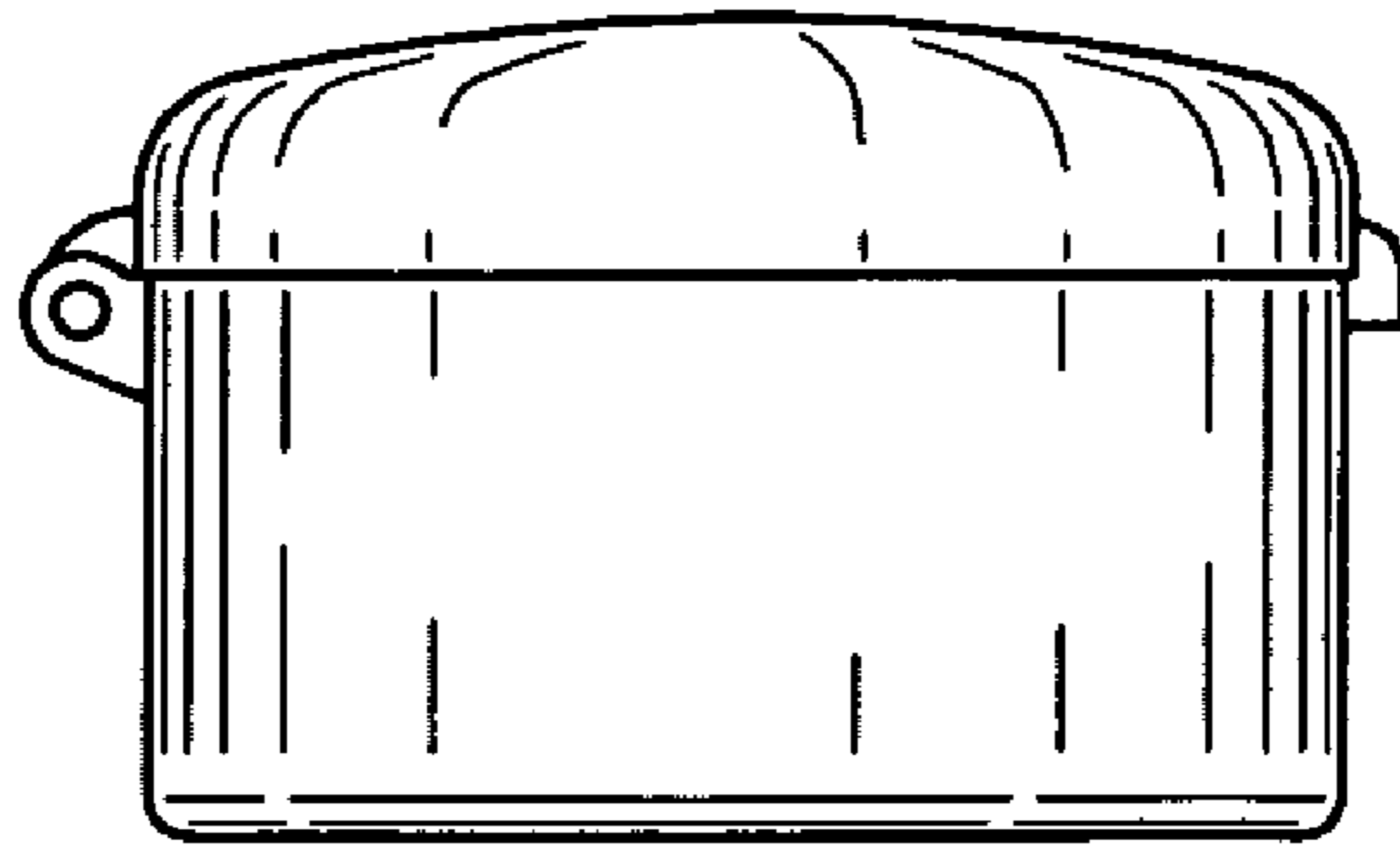


FIG. 7

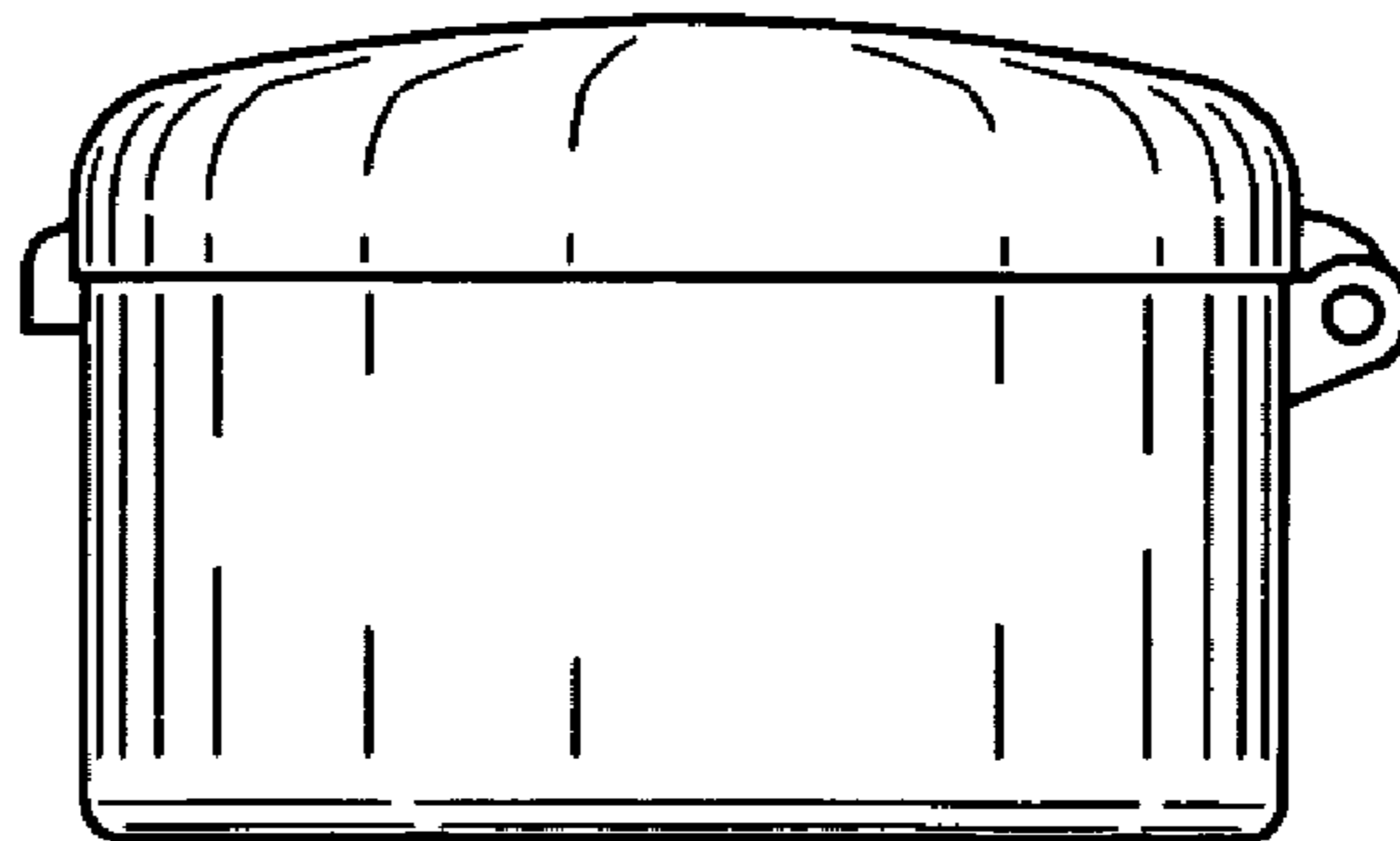


FIG. 8