



US00D665570S

(12) **United States Design Patent**  
**Shrewsbury et al.**

(10) **Patent No.:** **US D665,570 S**

(45) **Date of Patent:** **\*\* Aug. 21, 2012**

(54) **CASE FOR DRYERS**

(75) Inventors: **Polly J. Shrewsbury**, Austin, TX (US);  
**Judy S. Im**, Austin, TX (US)

(73) Assignee: **Pollyseon, LLC**, Austin, TX (US)

(\*\*) Term: **14 Years**

(21) Appl. No.: **29/360,374**

(22) Filed: **Apr. 24, 2010**

(51) **LOC (9) Cl.** ..... **03-01**

(52) **U.S. Cl.** ..... **D3/201; D3/205**

(58) **Field of Classification Search** ..... D3/244,  
D3/232, 246, 243, 233, 234, 235, 238, 239,  
D3/303, 242, 245; D9/305; 150/127, 100,  
150/110, 112, 114, 118

See application file for complete search history.

(56) **References Cited**

**U.S. PATENT DOCUMENTS**

3,830,348	A *	8/1974	Ohyama	190/107
4,090,593	A *	5/1978	Koff	190/103
4,378,866	A *	4/1983	Pelavin	190/111
5,409,153	A *	4/1995	Ristich	224/661
D366,446	S *	1/1996	Berman	D12/409
D366,447	S *	1/1996	Berman	D12/409

5,564,539	A *	10/1996	Duensing	190/107
D394,949	S *	6/1998	Petto	D3/246
6,837,346	B2 *	1/2005	Hollingsworth	190/11
D539,034	S *	3/2007	Friedman	D3/271.9

\* cited by examiner

*Primary Examiner* — John Windmuller

(74) *Attorney, Agent, or Firm* — Witkowski Law

(57) **CLAIM**

The ornamental design for a case for dryers, as shown and described.

**DESCRIPTION**

FIG. 1 is a perspective view of a case for dryers showing our new design;

FIG. 2 is a front view thereof;

FIG. 3 is a first side view thereof;

FIG. 4 is a back view thereof;

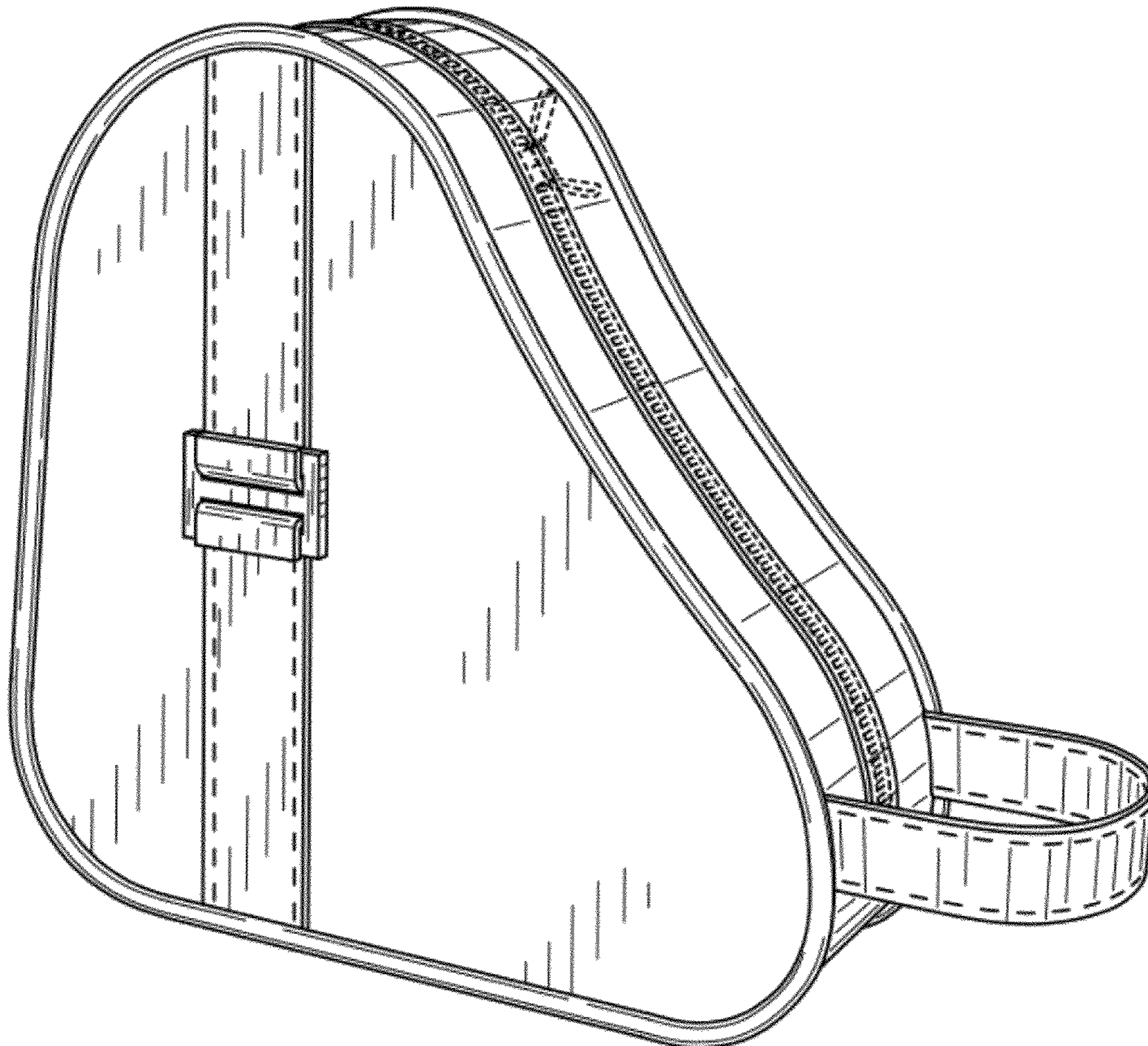
FIG. 5 is a second side view thereof;

FIG. 6 is a top view thereof; and,

FIG. 7 is a bottom view thereof.

The zipper shown in broken lines is not part of the claimed design. The other broken lines represent stitching that is part of the claimed design. The shade lines represent surface contours not surface ornamentation.

**1 Claim, 7 Drawing Sheets**



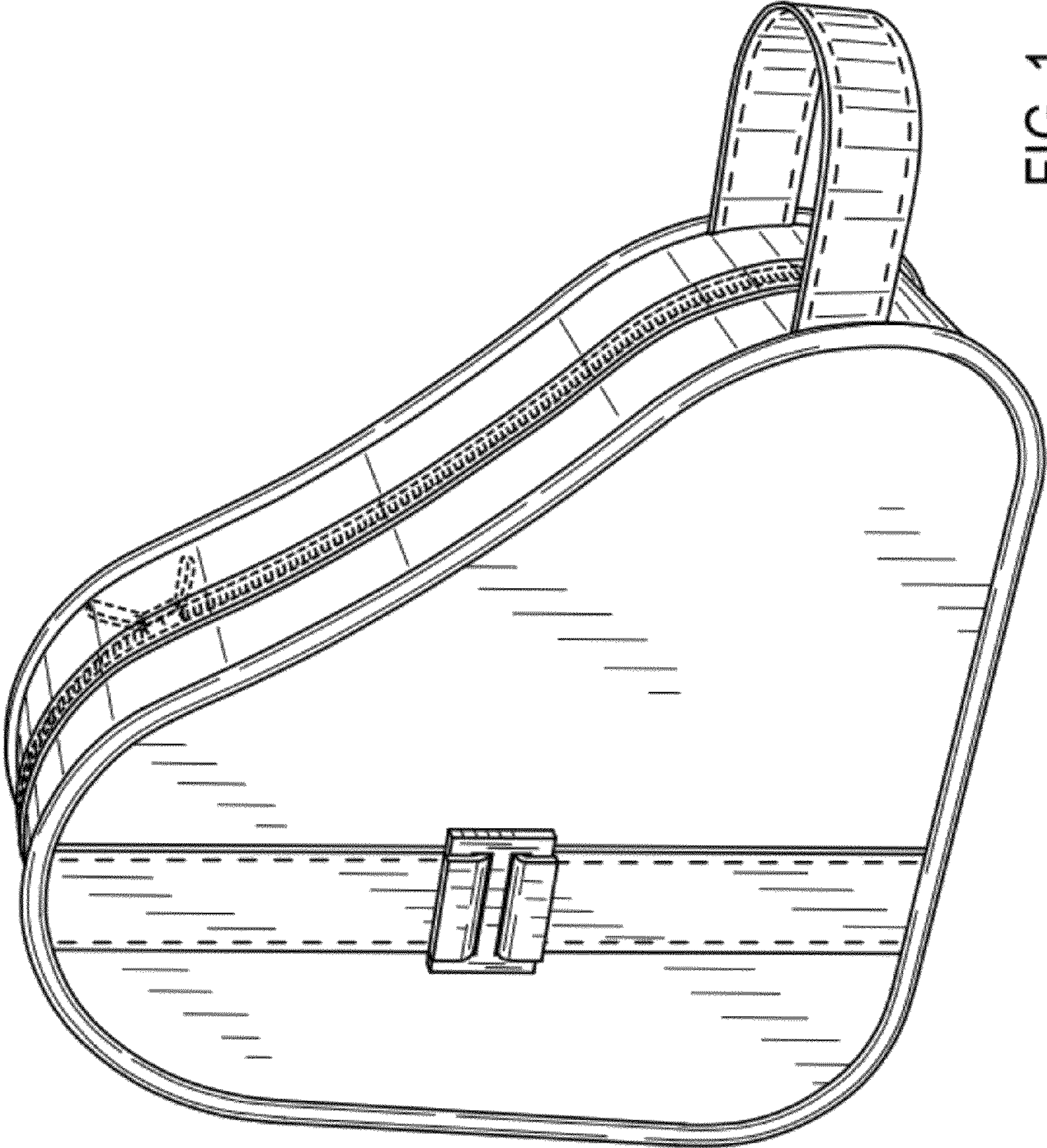


FIG. 1

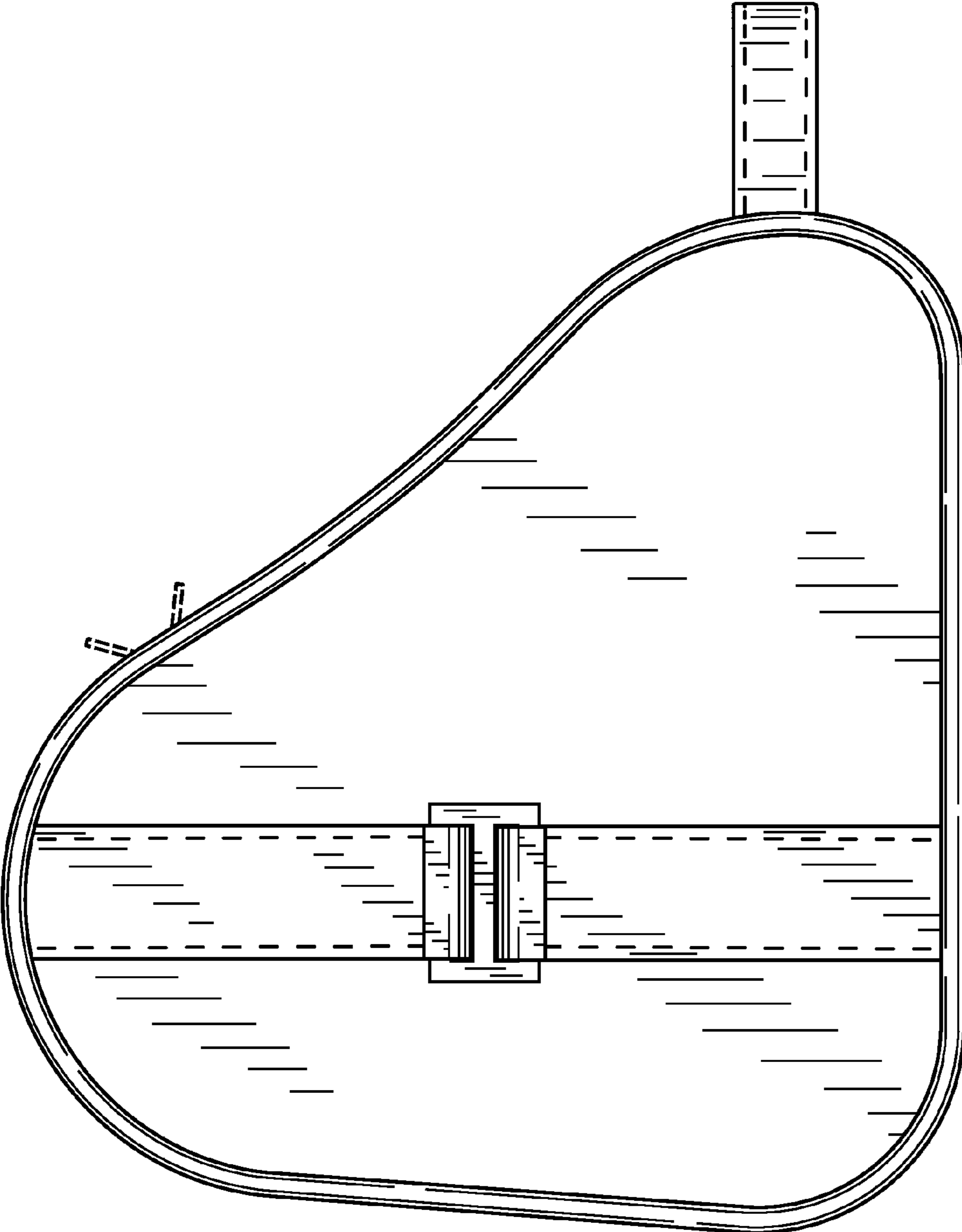


FIG. 2

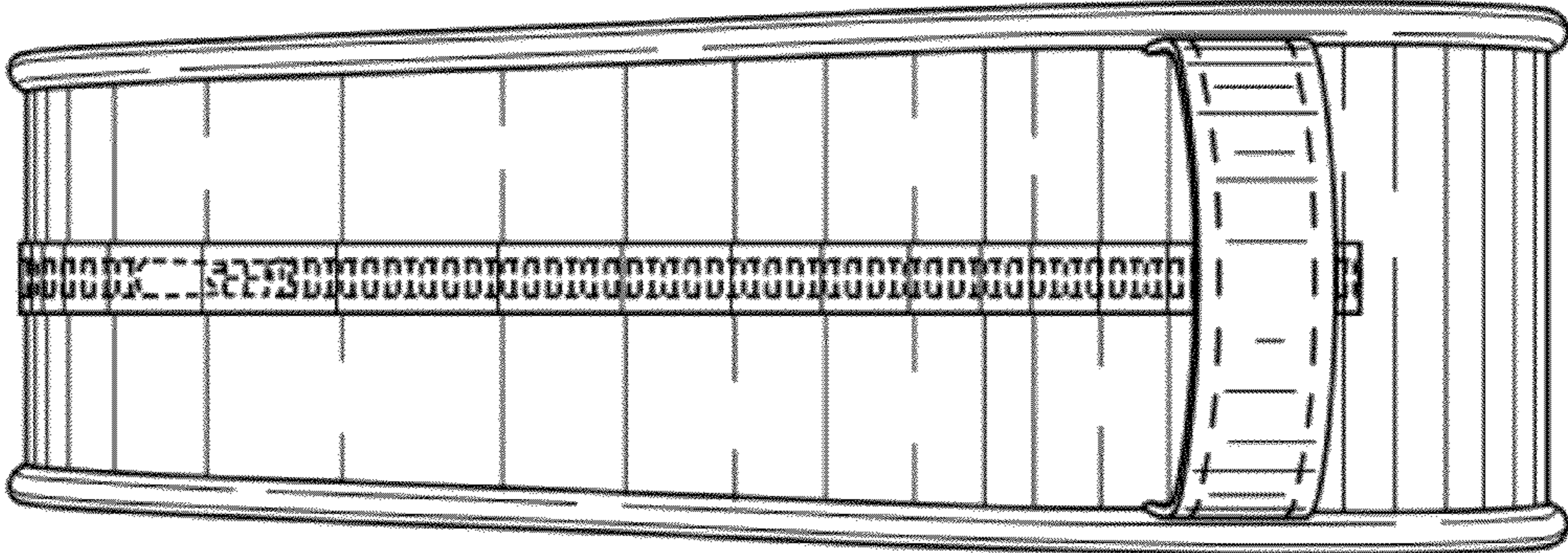


FIG. 3

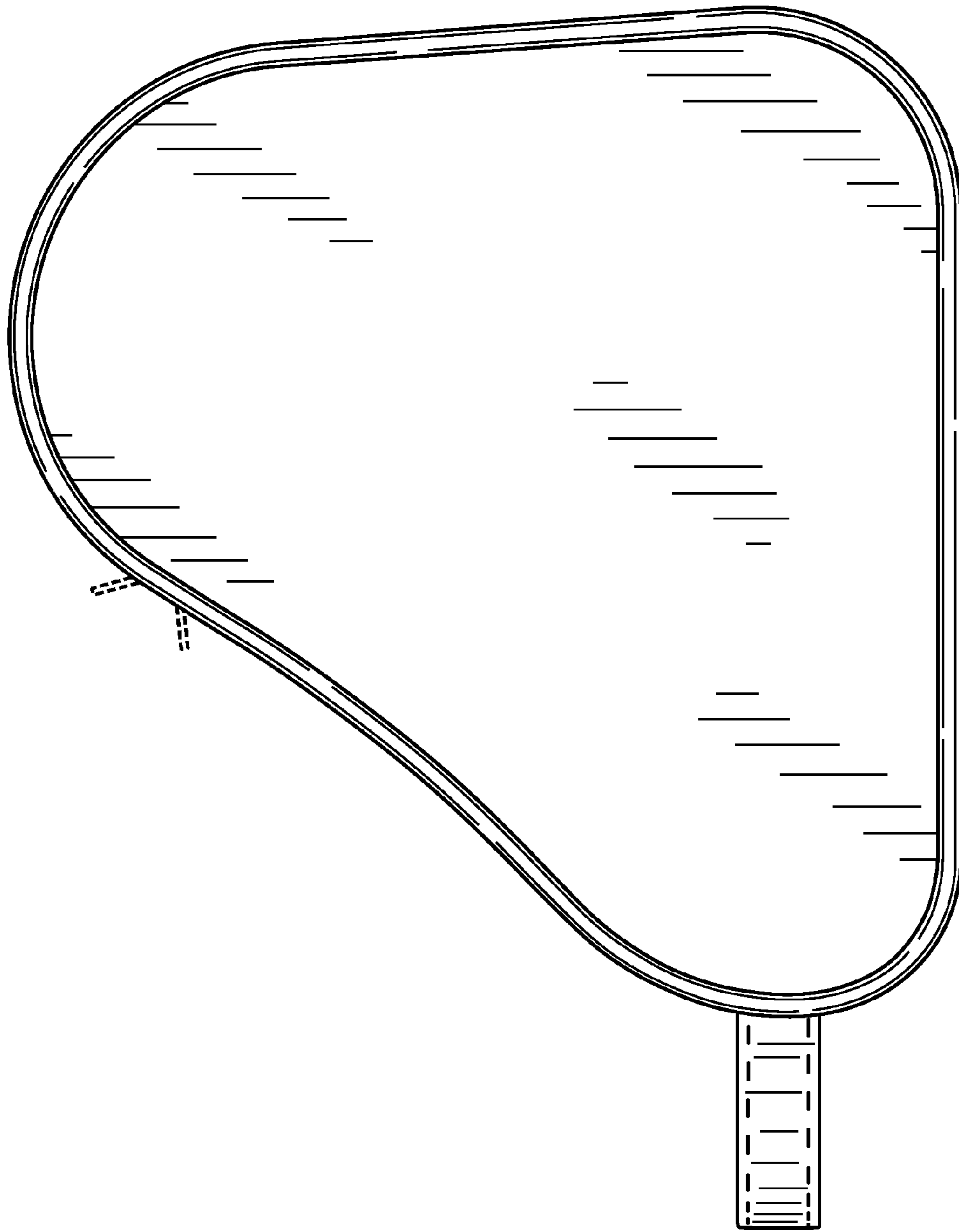


FIG. 4

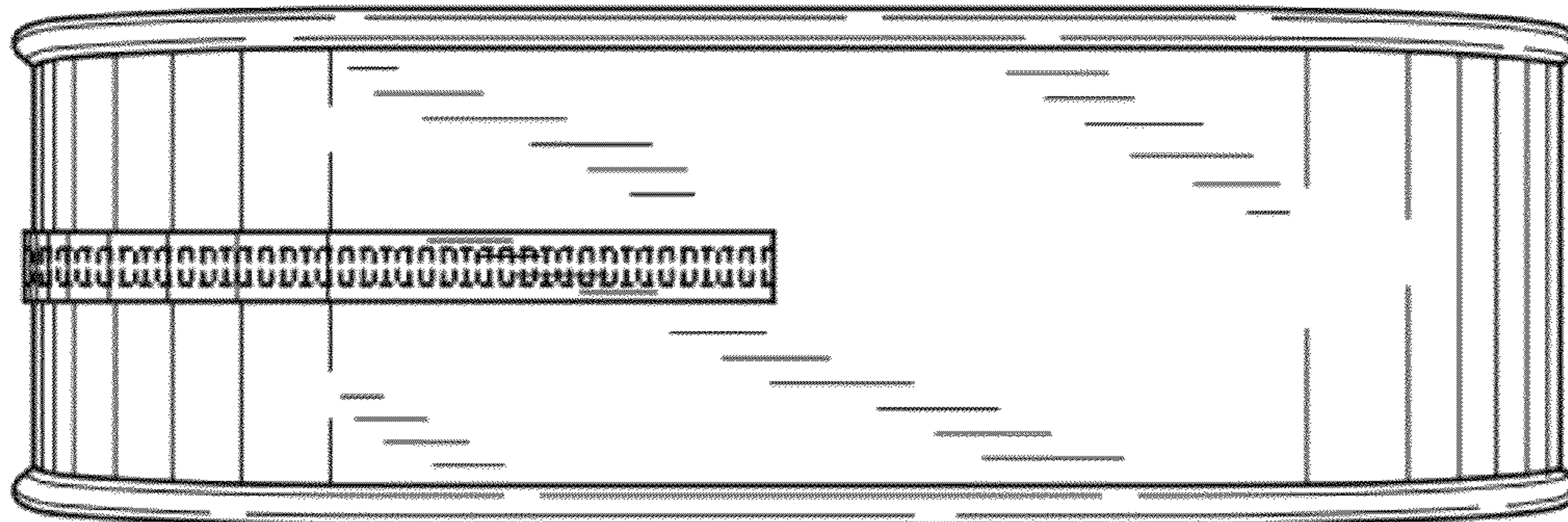


FIG. 5

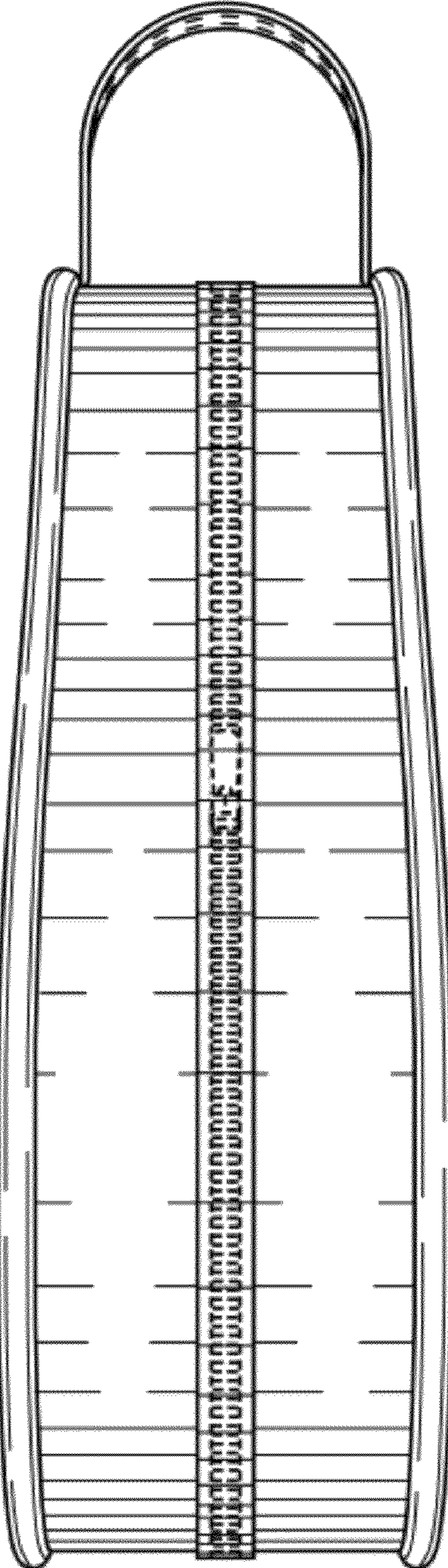


FIG. 6

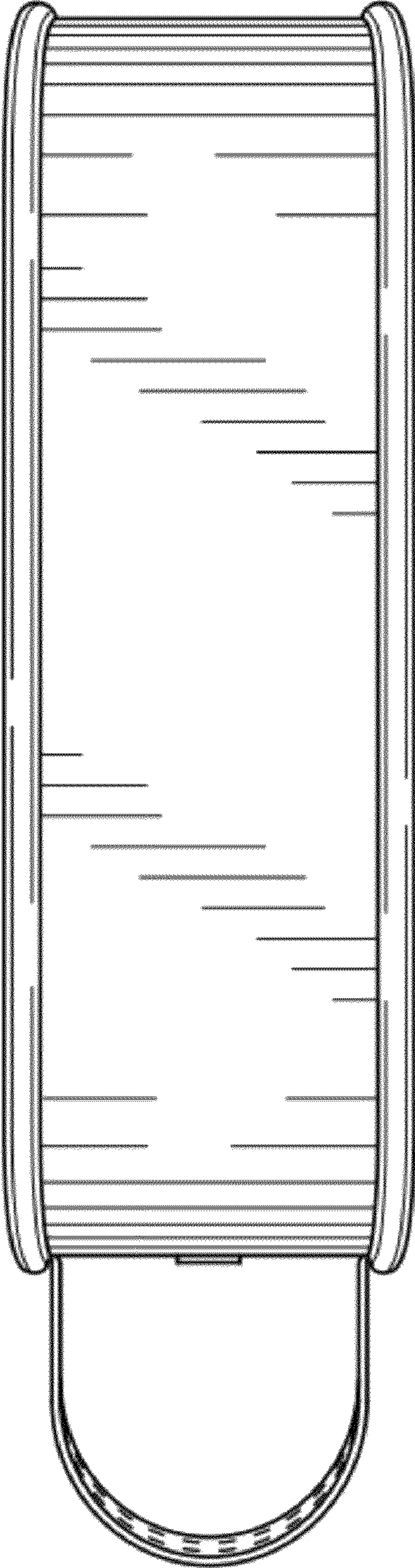


FIG. 7