



US00D665556S

(12) **United States Design Patent**  
**Afchain**

(10) **Patent No.:** **US D665,556 S**

(45) **Date of Patent:** **\*\* Aug. 21, 2012**

(54) **CHOCOLATE BAR**

(75) Inventor: **Arnaud Afchain**, Paris (FR)

(73) Assignee: **Barry Callebaut AG**, Zurich (CH)

(\*\*) Term: **14 Years**

(21) Appl. No.: **29/389,573**

(22) Filed: **Apr. 13, 2011**

(30) **Foreign Application Priority Data**

Oct. 13, 2010 (EP) ..... 001767674-0002

(51) **LOC (9) Cl.** ..... **01-01**

(52) **U.S. Cl.** ..... **D1/127**

(58) **Field of Classification Search** ..... D1/100-199;  
D24/101, 104; D28/8.1; D21/386; 426/3,  
426/5, 76, 103, 122, 144, 660, 512, 515,  
426/383

See application file for complete search history.

(56) **References Cited**

**U.S. PATENT DOCUMENTS**

D68,619 S \* 11/1925 Epstein ..... D1/127  
D88,109 S \* 10/1932 Reiche ..... D1/127

D417,766 S \* 12/1999 Sherman et al. .... D1/127  
D428,681 S \* 8/2000 Aftoora ..... D1/127  
D429,402 S \* 8/2000 Reisman ..... D1/128  
D432,756 S \* 10/2000 Rapaport ..... D1/129  
D498,343 S \* 11/2004 Malina et al. .... D1/127  
D509,642 S \* 9/2005 Cudjoe ..... D1/127  
D588,777 S \* 3/2009 Bornholdt ..... D1/127  
D641,947 S \* 7/2011 Bruyea et al. .... D1/127  
D641,950 S \* 7/2011 Bruyea et al. .... D1/127  
D655,067 S \* 3/2012 Bruyea et al. .... D1/127

\* cited by examiner

*Primary Examiner* — Barbara Fox

(74) *Attorney, Agent, or Firm* — Hoxie & Associates, LLC

(57) **CLAIM**

The ornamental design for a chocolate bar, as shown and described.

**DESCRIPTION**

FIG. 1 is a perspective view of a chocolate bar of the present design;

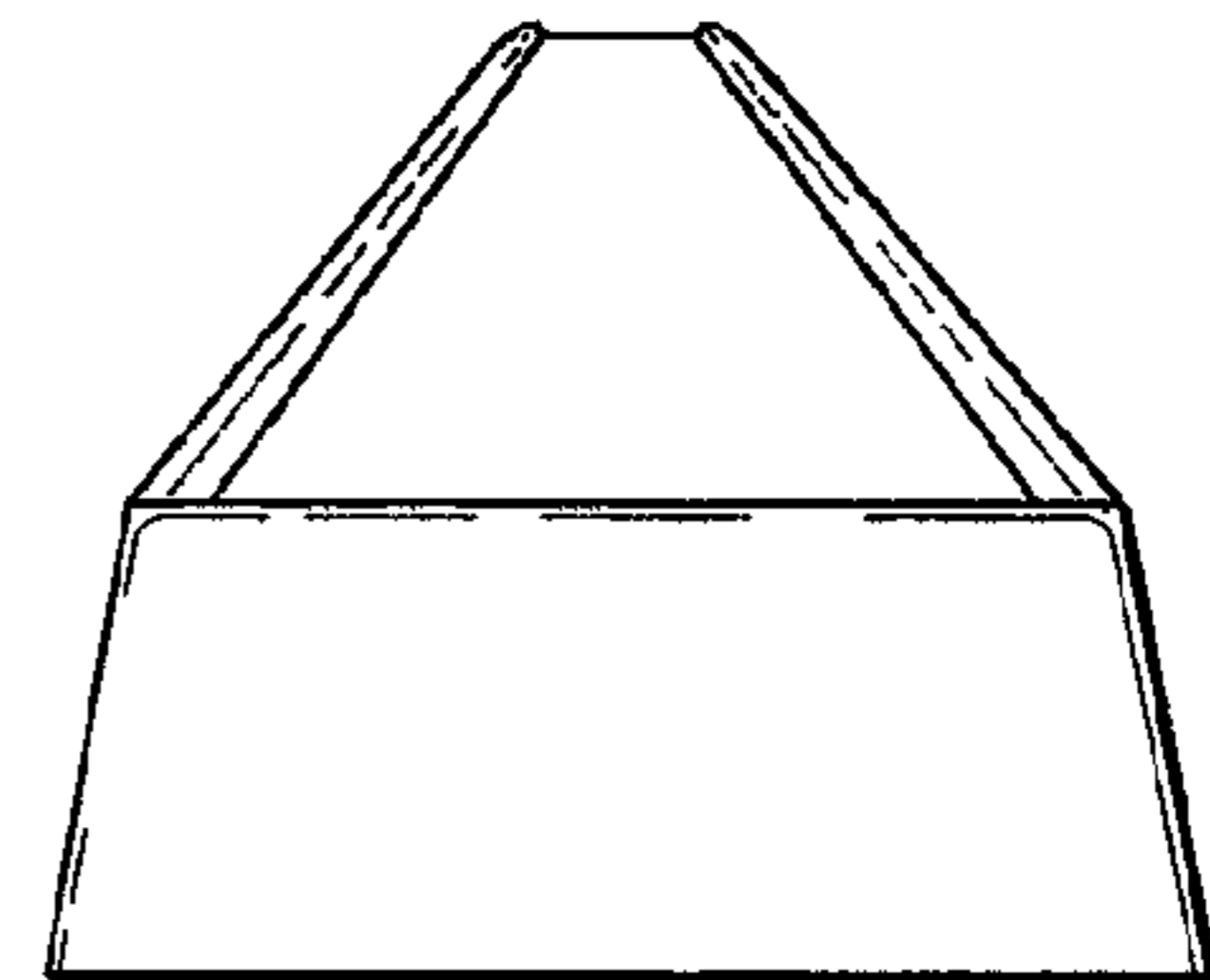
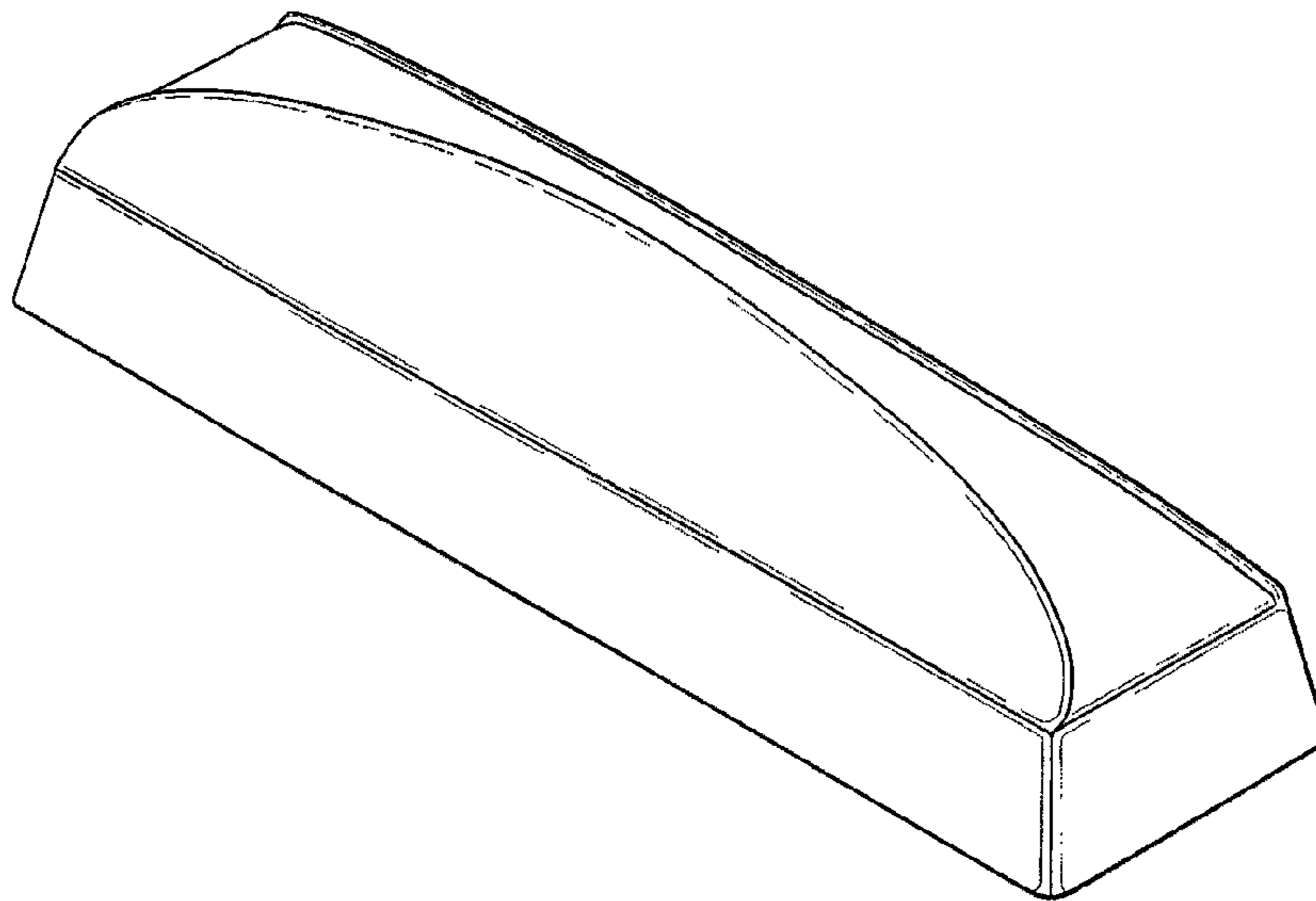
FIG. 2 is a top view of FIG. 1;

FIG. 3 is a bottom view of FIG. 1;

FIG. 4 is a side view of FIG. 1; and,

FIG. 5 is a front side view of FIG. 1.

**1 Claim, 2 Drawing Sheets**



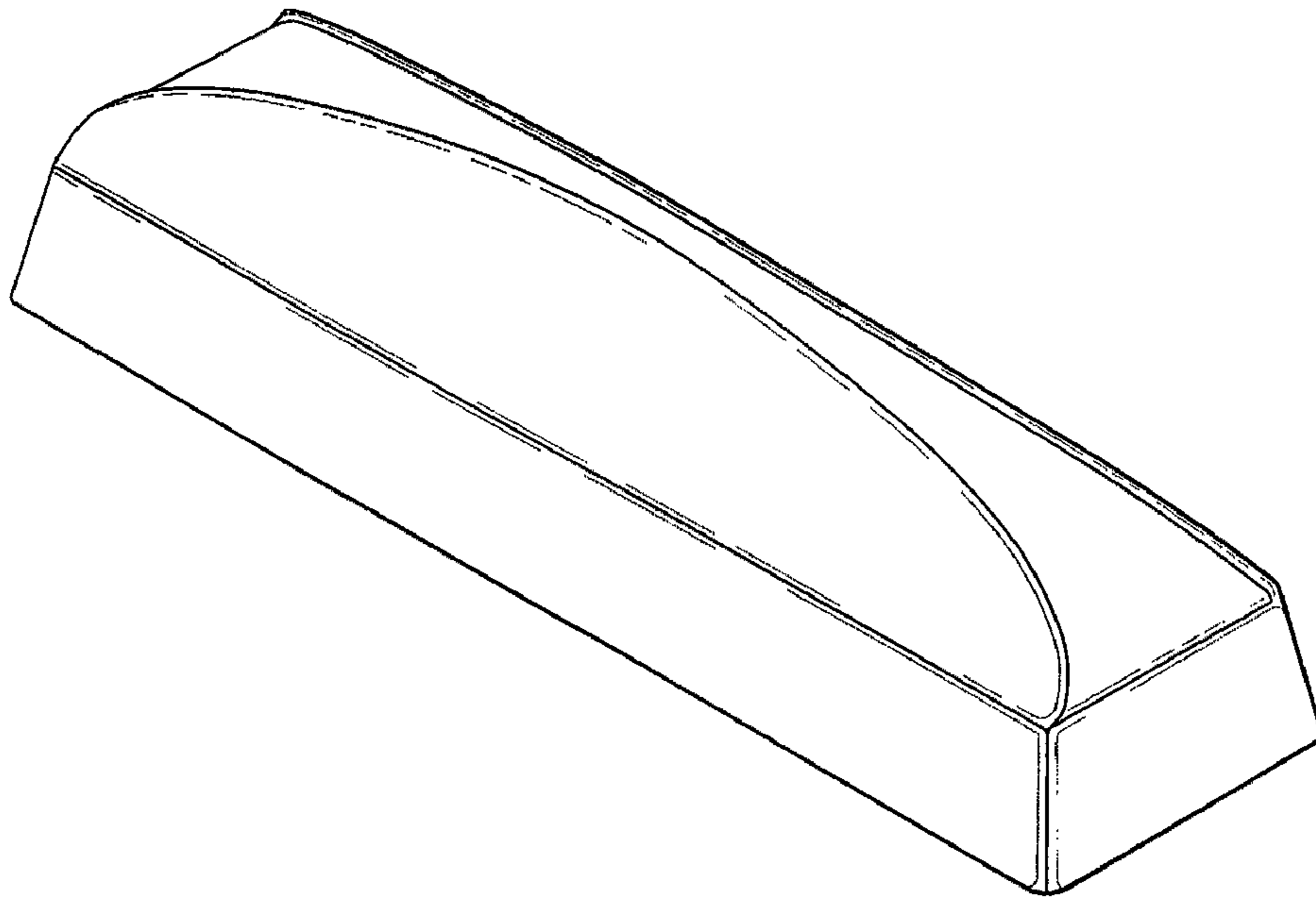


Fig. 1

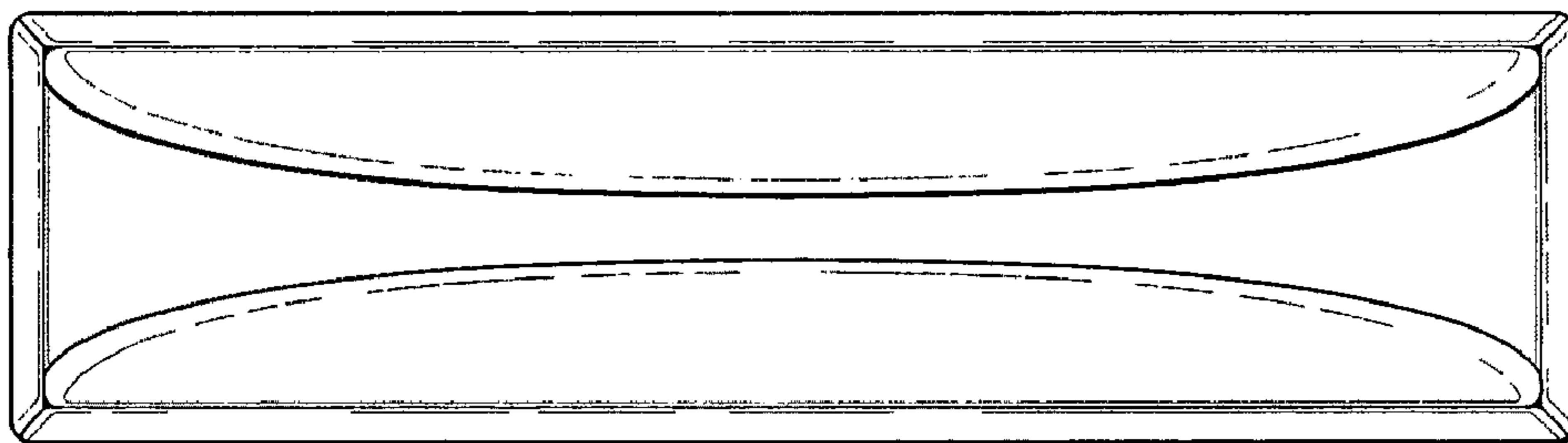


Fig. 2

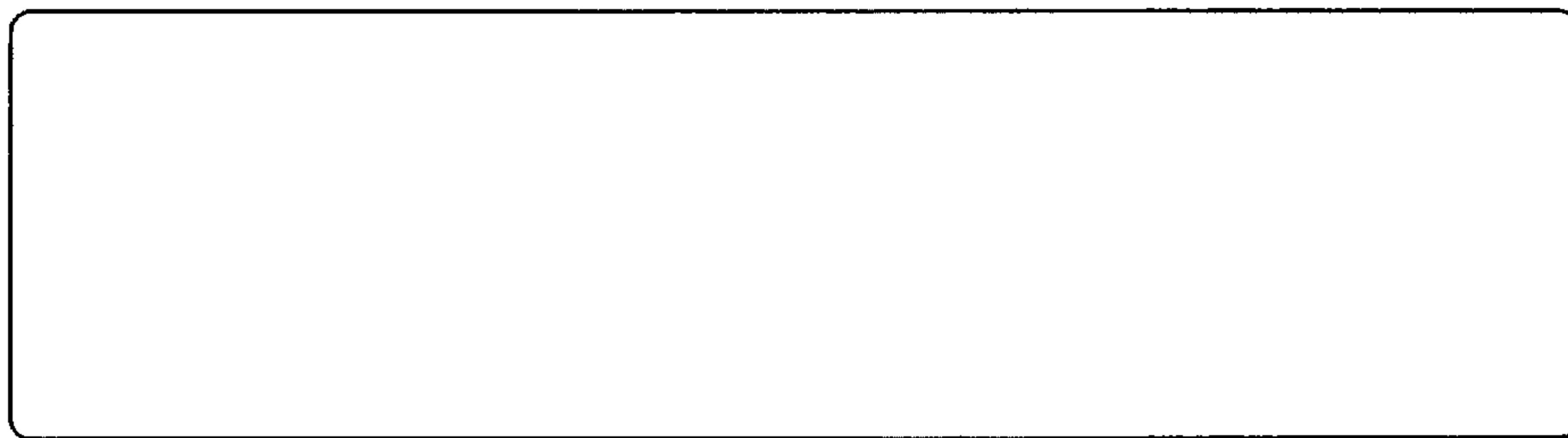
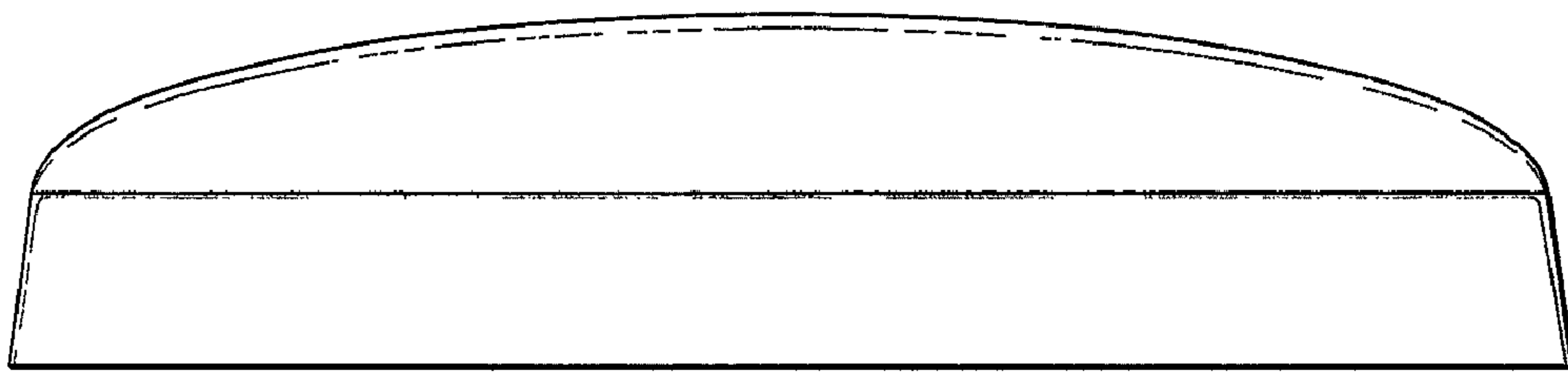
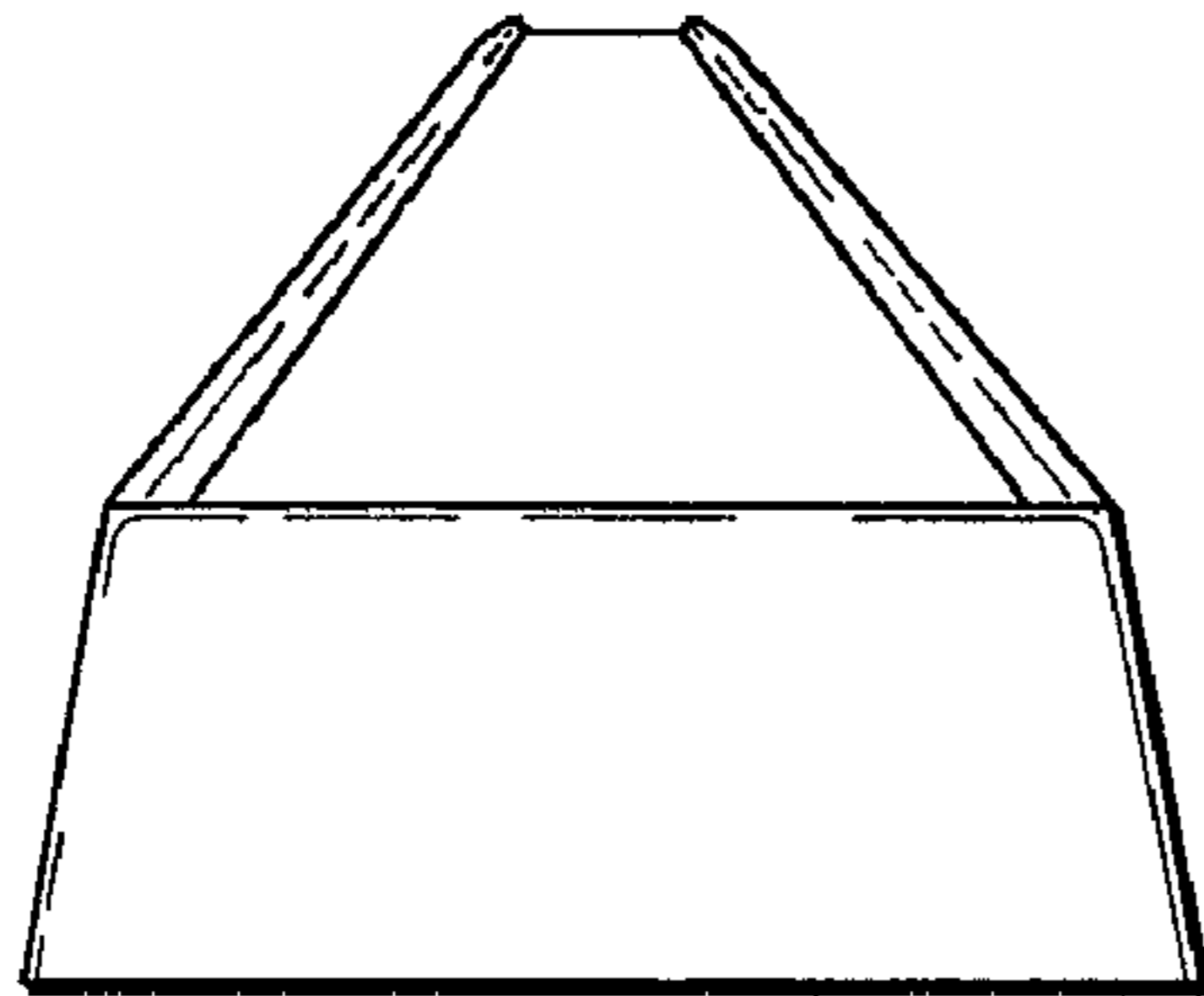


Fig. 3



**Fig. 4**



**Fig. 5**