



US00D665553S

(12) **United States Design Patent**
Zhou

(10) **Patent No.:** **US D665,553 S**

(45) **Date of Patent:** **** Aug. 14, 2012**

(54) **JACK**

(76) Inventor: **Haoliang Zhou**, Hangzhou (CN)

(**) Term: **14 Years**

(21) Appl. No.: **29/400,801**

(22) Filed: **Sep. 1, 2011**

(30) **Foreign Application Priority Data**

Mar. 1, 2011 (CN) 2011 3 0037166

(51) **LOC (9) Cl.** **12-05**

(52) **U.S. Cl.** **D34/31**

(58) **Field of Classification Search** D34/31,
D34/28; 254/8 B, 9 B, 84, 11, 93 H, DIG. 3,
254/133 R

See application file for complete search history.

(56) **References Cited**

U.S. PATENT DOCUMENTS

4,629,391	A *	12/1986	Soyk et al.	414/563
4,704,062	A *	11/1987	Hale	414/494
4,765,593	A *	8/1988	Hung	254/8 B
4,886,243	A *	12/1989	Trumbull	254/88
5,201,494	A *	4/1993	Lundman	254/8 B

5,477,406	A *	12/1995	Schaeffer et al.	360/130.33
D388,926	S *	1/1998	Sorensen	D34/31
D452,597	S *	12/2001	Hung	D34/31
D453,983	S *	2/2002	Lin	D34/31
D582,623	S *	12/2008	Qian et al.	D34/31
D590,121	S *	4/2009	Shen et al.	D34/31
D625,073	S *	10/2010	Hernandez	D34/31
D646,453	S *	10/2011	Zhou	D34/31
2008/0111117	A1 *	5/2008	Wu	254/8 R
2011/0101295	A1 *	5/2011	Hernandez	254/8 B

* cited by examiner

Primary Examiner — Cynthia Ramirez

(74) *Attorney, Agent, or Firm* — Hamre, Schumann, Mueller & Larson, P.C.

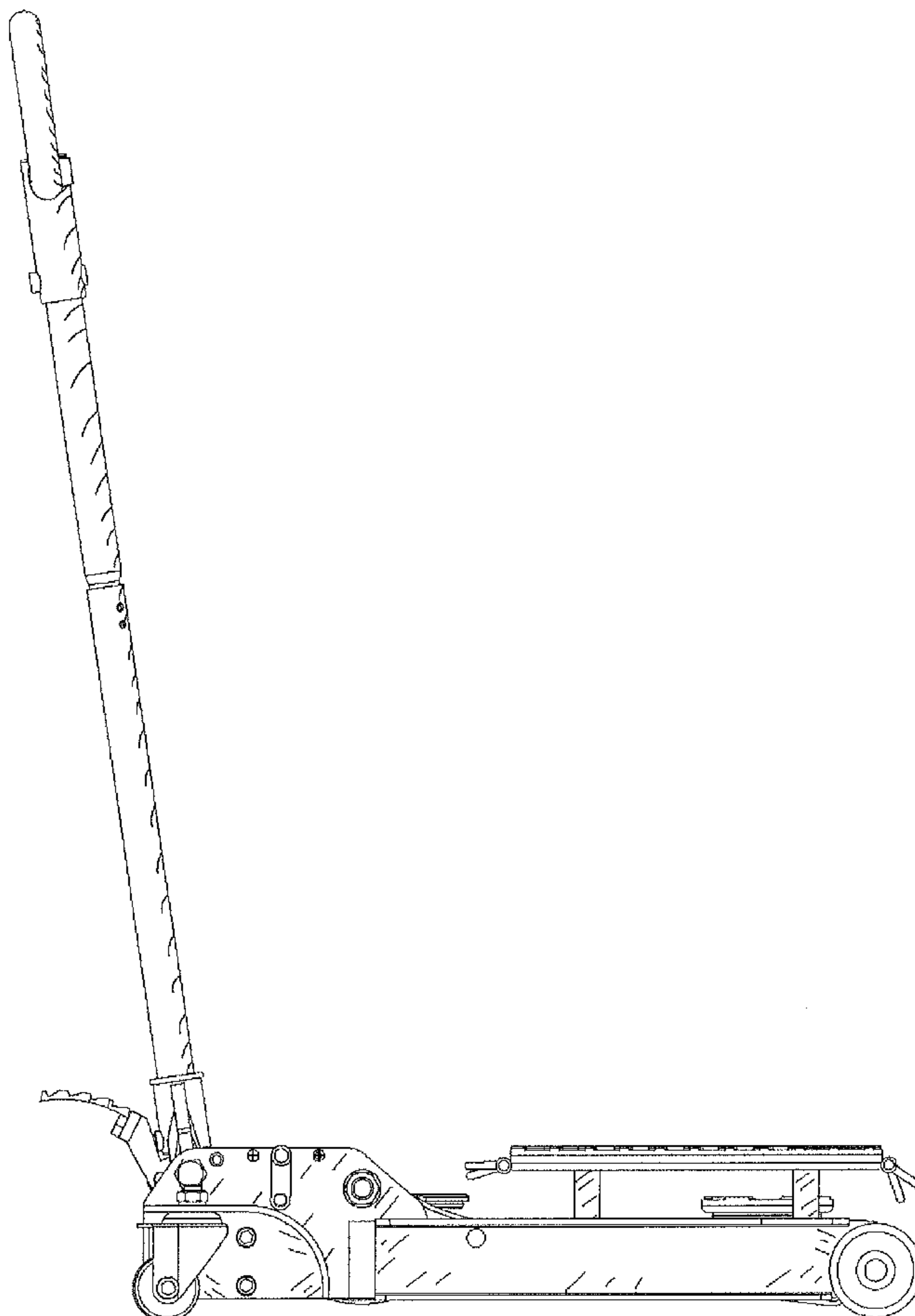
(57) **CLAIM**

The ornamental design for a jack, as shown.

DESCRIPTION

FIG. 1 is a front view of the jack of the invention;
FIG. 2 is a right side view of the jack depicted in FIG. 1;
FIG. 3 is a left side view of the jack depicted in FIG. 1;
FIG. 4 is a top view of the jack depicted in FIG. 1;
FIG. 5 is a rear view of the jack depicted in FIG. 1; and,
FIG. 6 is a perspective view of the jack depicted in FIG. 1.

1 Claim, 6 Drawing Sheets



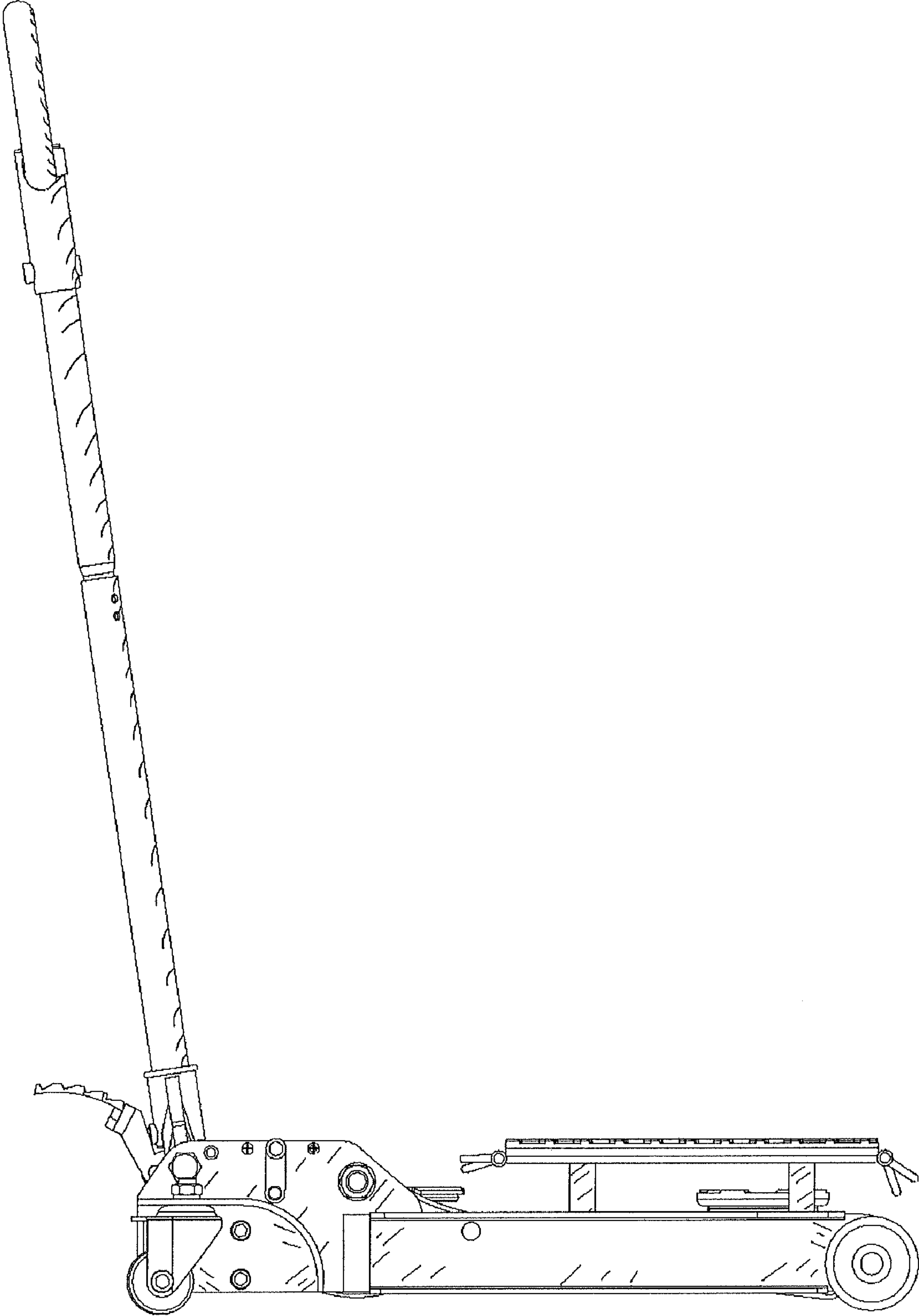


Fig. 1

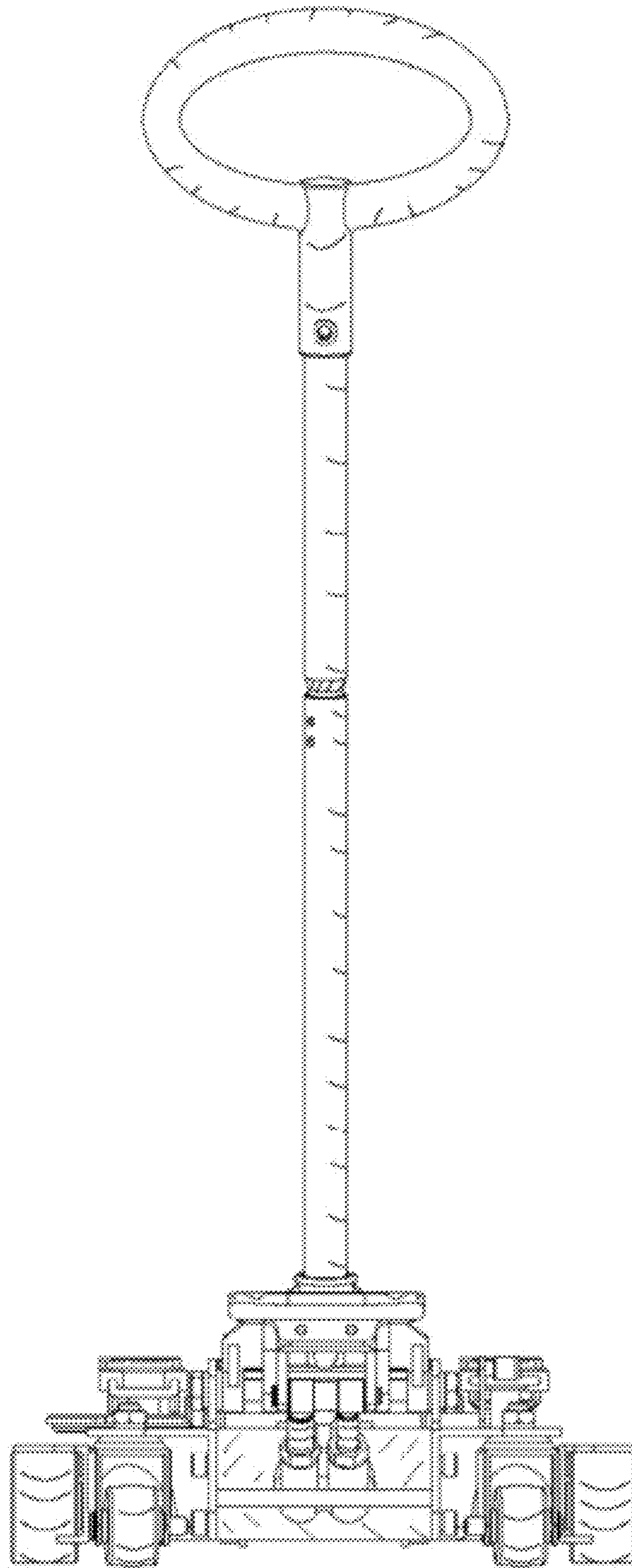


Fig. 2

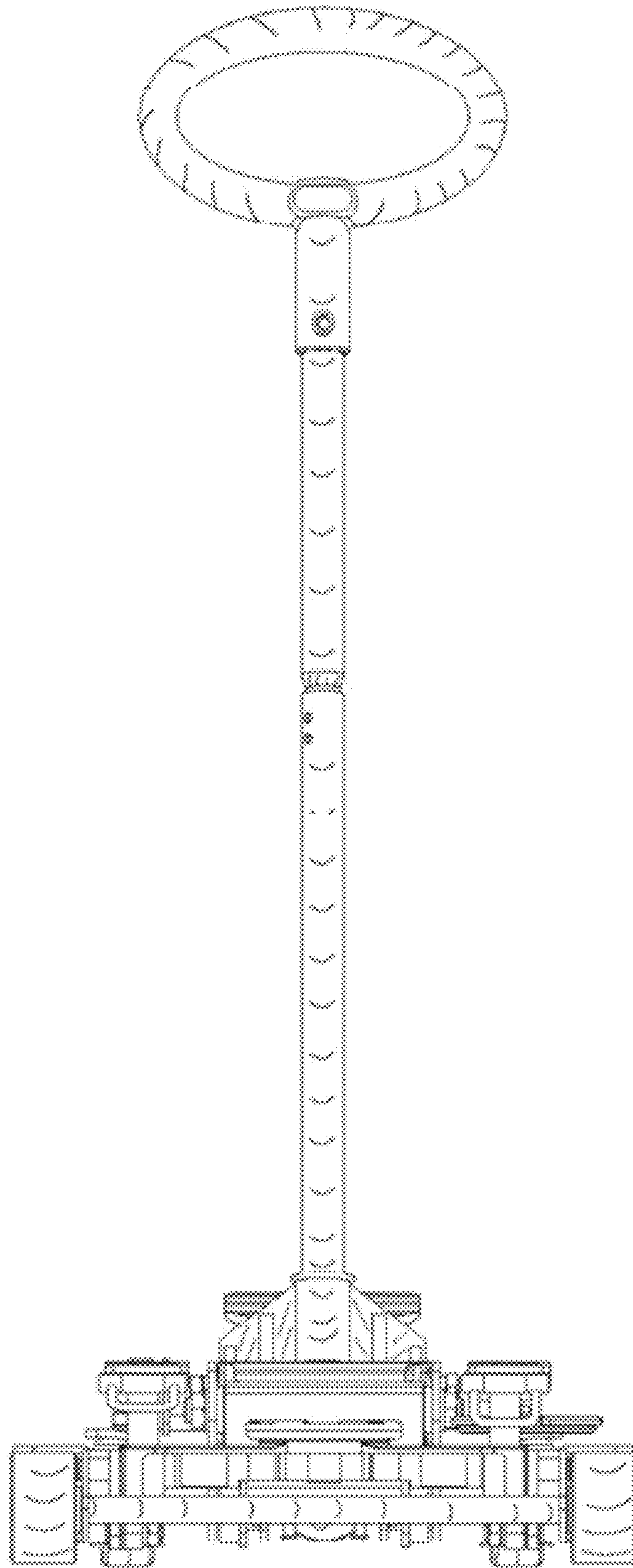


Fig. 3

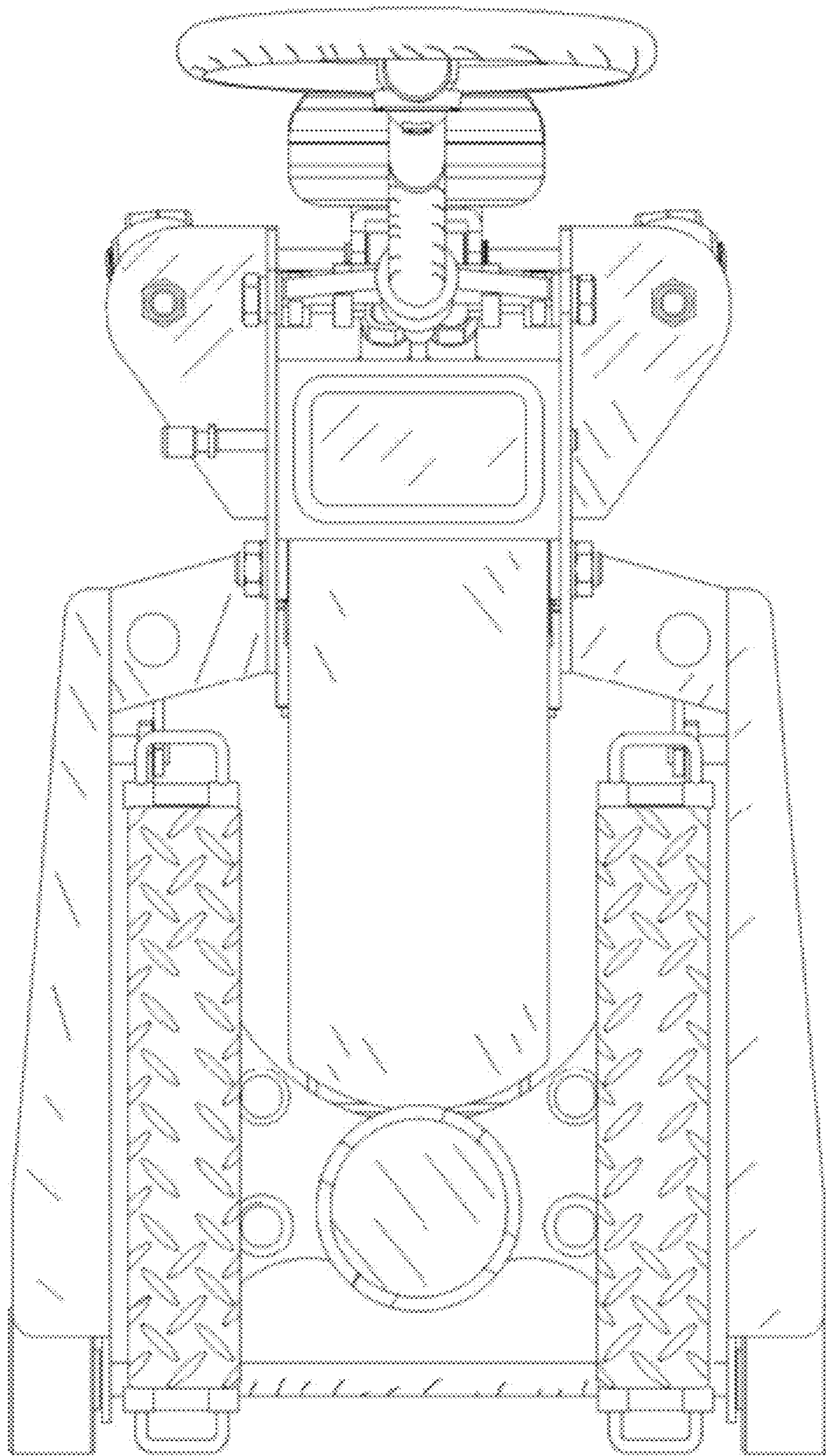


Fig. 4

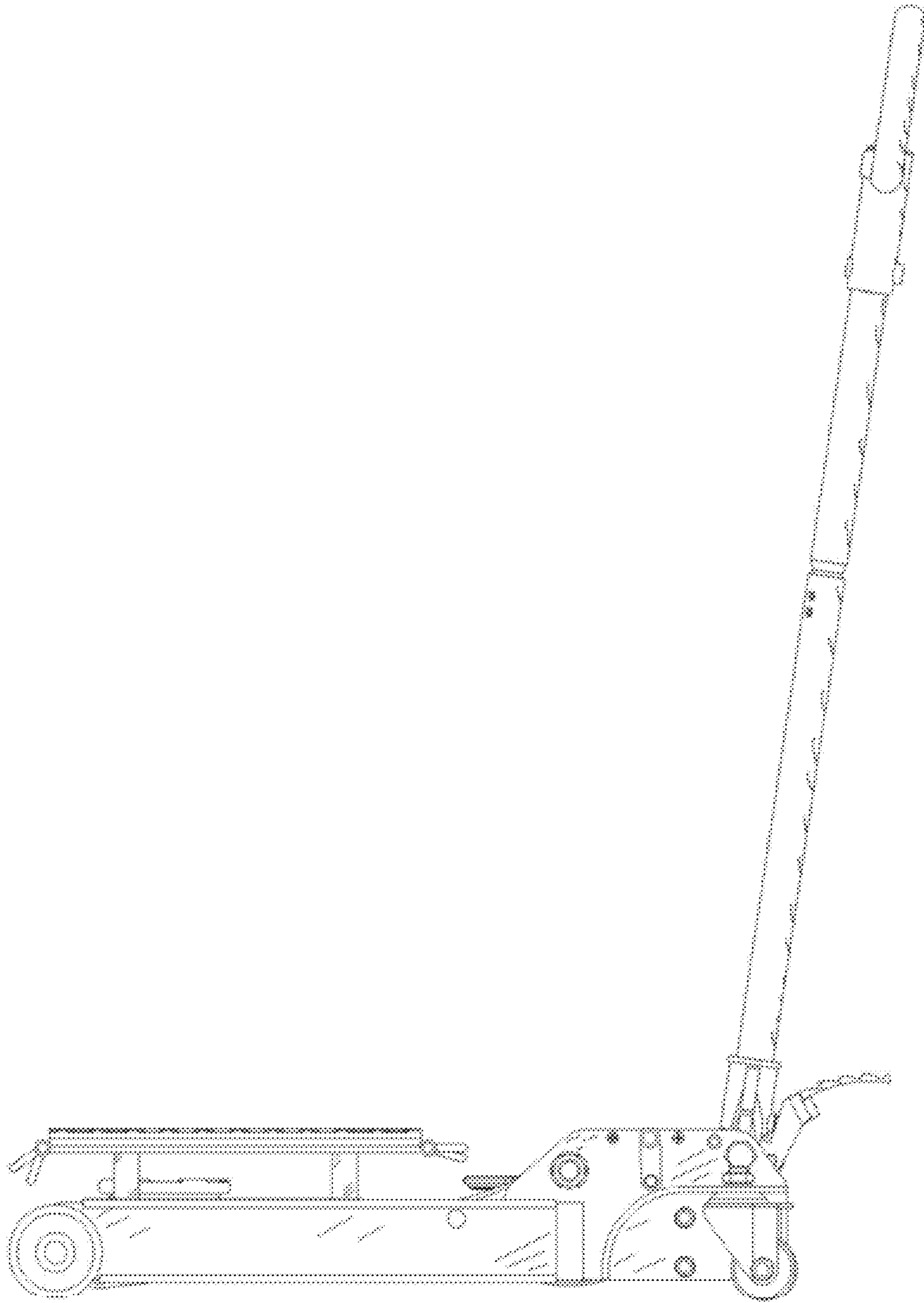


Fig. 5

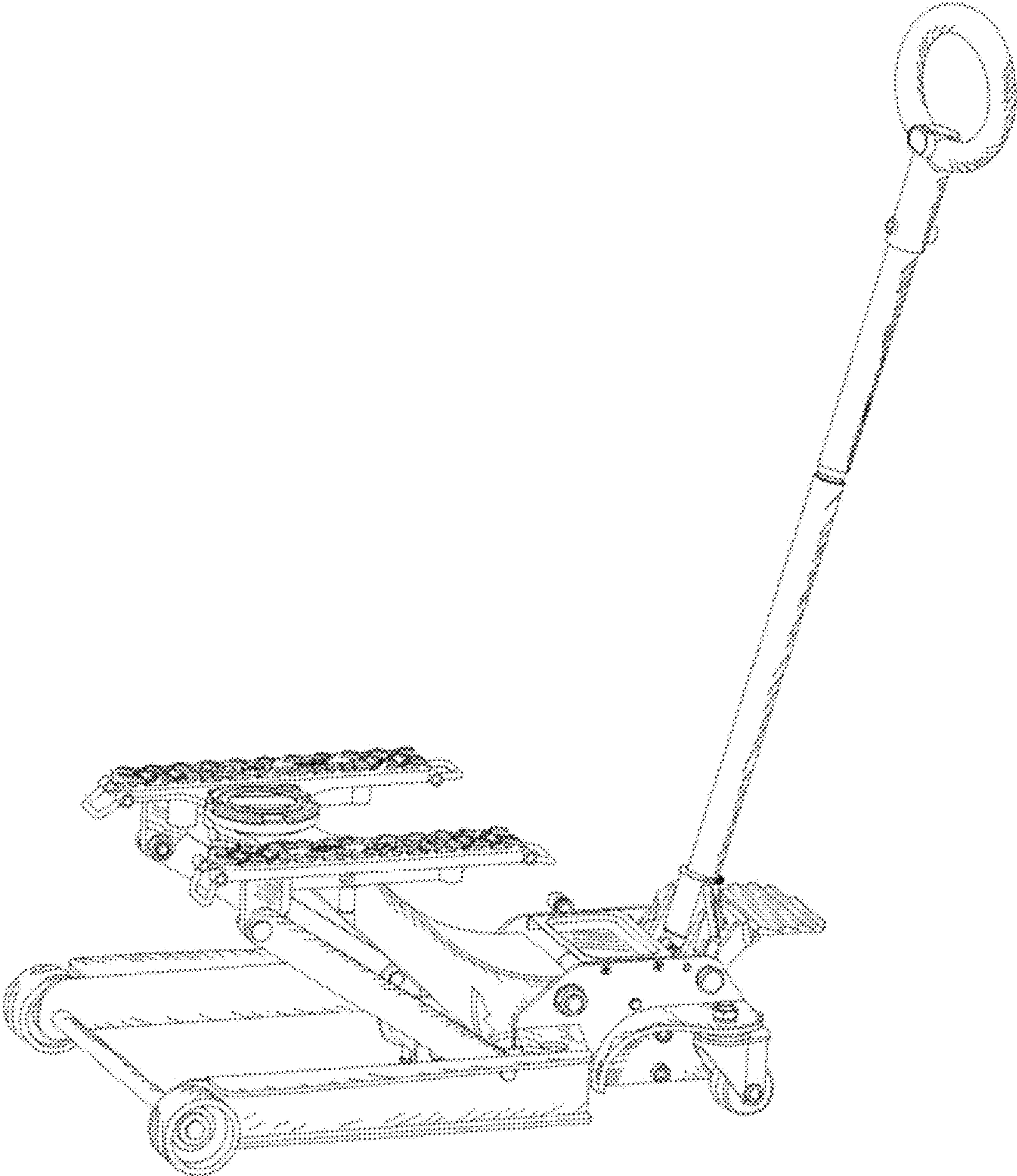


Fig. 6