

US00D665551S

(12) **United States Design Patent**
Grand et al.

(10) **Patent No.:** **US D665,551 S**

(45) **Date of Patent:** **** Aug. 14, 2012**

(54) **HEAT-SEALED WASTE DISPOSAL**

(75) Inventors: **Joseph B. Grand**, San Francisco, CA (US); **John D. Fiegner**, Marblehead, MA (US); **Samuel Wald**, Marblehead, MA (US); **Thomas Gernetzke**, Charlestown, MA (US); **William Vespa**, Salem, MA (US); **William Liteplo**, Wakefield, MA (US); **Cornelius McDaid**, Randolph, MA (US); **Brenda G. Berg**, Raleigh, NC (US)

(73) Assignee: **Scandinavian Child LLC**, Raleigh, NC (US)

(**) Term: **14 Years**

(21) Appl. No.: **29/401,992**

(22) Filed: **Sep. 19, 2011**

(51) **LOC (9) Cl.** **09-09**

(52) **U.S. Cl.** **D34/7**

(58) **Field of Classification Search** D34/1,
D34/5, 6, 7, 8, 9, 10, 11; 220/908, 908.1,
220/910, 911, 913, 252, 263
See application file for complete search history.

6,145,283 A	11/2000	Noordenbos et al.	
6,161,366 A	12/2000	Bausch et al.	
6,282,869 B1	9/2001	Bullock et al.	
6,367,230 B1	4/2002	Fukuda	
6,370,847 B1	4/2002	Jensen et al.	
6,481,810 B1	11/2002	Kirchhoff	
6,516,588 B2	2/2003	Jensen et al.	
D483,165 S *	12/2003	Dretzka	D34/7
6,877,295 B1	4/2005	Benedetti et al.	
6,881,287 B2	4/2005	Yasuhira	
6,901,974 B2	6/2005	Chomik et al.	
6,925,781 B1	8/2005	Knuth et al.	
6,941,733 B2	9/2005	Chomik et al.	
D517,764 S *	3/2006	Wang	D34/9
7,178,314 B2	2/2007	Chomik et al.	
7,316,100 B2	1/2008	Stravitz et al.	
7,337,999 B2	3/2008	Kim	
D567,466 S	4/2008	Lee	
D567,467 S	4/2008	Lee	
7,377,203 B2	5/2008	Chomik	
D589,669 S *	3/2009	Cheng	D34/4
7,500,339 B2	3/2009	Knuth et al.	
7,594,376 B2	9/2009	Chomik	
D612,121 S *	3/2010	Memari	D34/1
7,696,711 B2	4/2010	Pollack et al.	
7,757,467 B2	7/2010	Chomik et al.	

(Continued)

Primary Examiner — Cynthia Ramirez

(74) *Attorney, Agent, or Firm* — Sand & Sebolt

(56) **References Cited**

U.S. PATENT DOCUMENTS

D216,739 S *	3/1970	Marsh	D34/8
5,056,295 A	10/1991	Williams	
5,131,213 A	7/1992	Shanklin et al.	
5,154,345 A	10/1992	Shillington	
5,346,086 A	9/1994	Harris	
5,537,804 A	7/1996	Tolson	
5,651,231 A	7/1997	Garland	
5,772,565 A	6/1998	Weyandt	
5,782,067 A	7/1998	Fuss et al.	
5,826,404 A	10/1998	Fuss et al.	
5,881,896 A	3/1999	Presnell et al.	
6,065,272 A	5/2000	Lecomte	
6,128,890 A	10/2000	Firth	

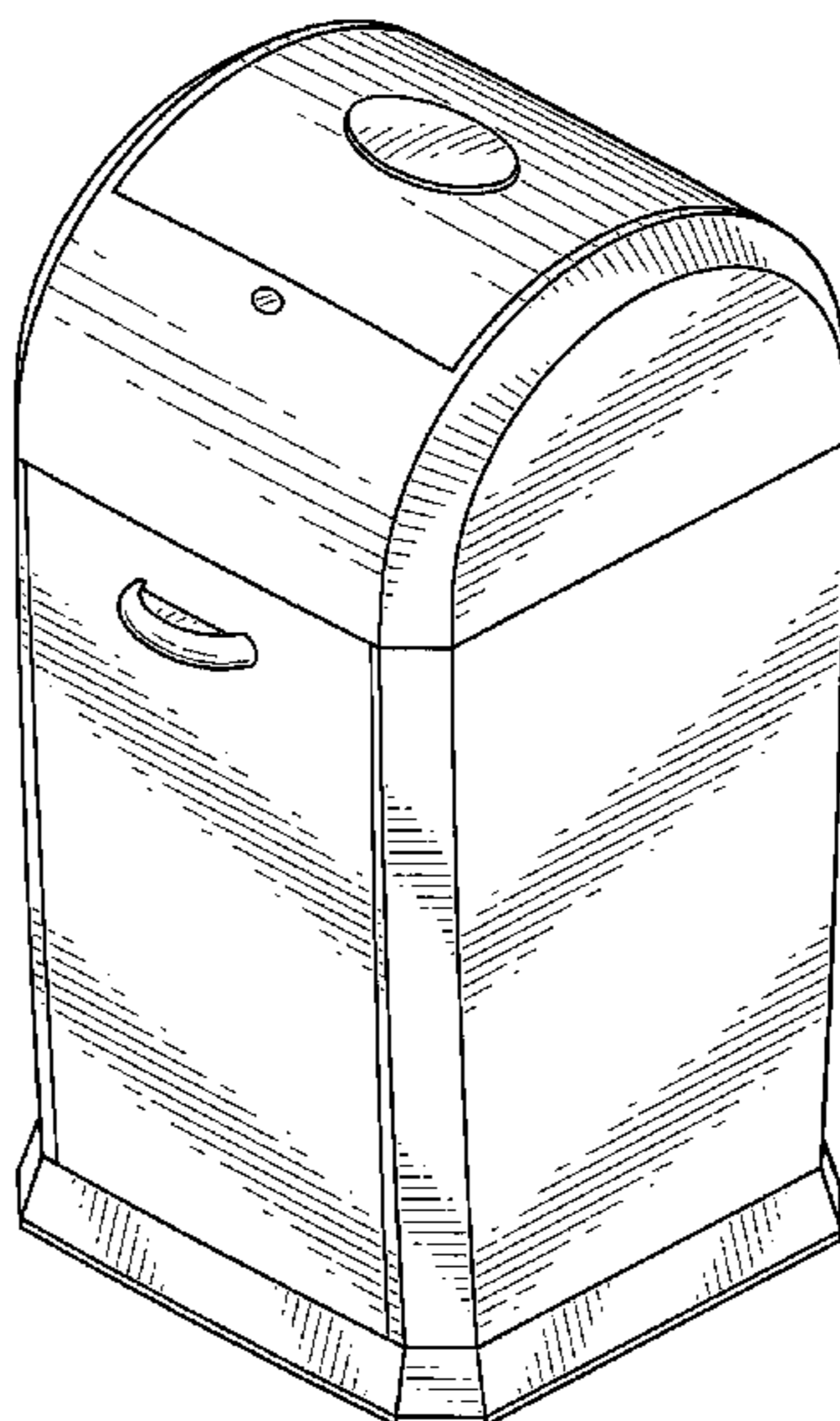
(57) **CLAIM**

The ornamental design for a heat-sealed waste disposal, as shown and described.

DESCRIPTION

FIG. 1 is a perspective view of the heat-sealed waste disposal; FIG. 2 is a front side elevational view thereof; FIG. 3 is a side elevational view thereof, the opposite side view being a mirror image thereof; FIG. 4 is a rear side elevational view thereof; and, FIG. 5 is a top plan view thereof.

1 Claim, 5 Drawing Sheets



US D665,551 S

Page 2

U.S. PATENT DOCUMENTS			
7,922,023	B2	4/2011	Dommerholt
7,931,150	B2	4/2011	Morand
7,958,704	B2	6/2011	Stravitz et al.
2002/0078665	A1	6/2002	Salman et al.
2004/0083681	A1	5/2004	Stravitz
2005/0044819	A1	3/2005	Chomik et al.
2006/0032190	A1	2/2006	Knuth et al.
2006/0107619	A1	5/2006	Reaves et al.
2006/0191941	A1	8/2006	Barrett
2006/0285781	A1	12/2006	Zoss
2007/0219425	A1	9/2007	Moore
2007/0272694	A1	11/2007	May et al.
2008/0092492	A1	4/2008	Konno
2008/0121640	A1	5/2008	Chomik et al.
2008/0221544	A1*	9/2008	Dommerholt 604/385.13
2009/0100806	A1	4/2009	Morand
2009/0126320	A1	5/2009	Rouso et al.
2009/0127260	A1	5/2009	Rouso et al.
2010/0043358	A1	2/2010	Tsuruta et al.
2010/0083616	A1	4/2010	Place et al.
2010/0126498	A1	5/2010	Fleck
2010/0155445	A1	6/2010	Kim
2010/0187235	A1	7/2010	Chen
2010/0282755	A1	11/2010	Kim
2010/0287892	A1	11/2010	Gill et al.
2011/0000172	A1	1/2011	Morand
2011/0056942	A1	3/2011	Ohnishi et al.
2011/0056953	A1	3/2011	Ohnishi et al.
2011/0099950	A1	5/2011	Dunn et al.
2011/0099956	A1	5/2011	Dunn et al.

* cited by examiner

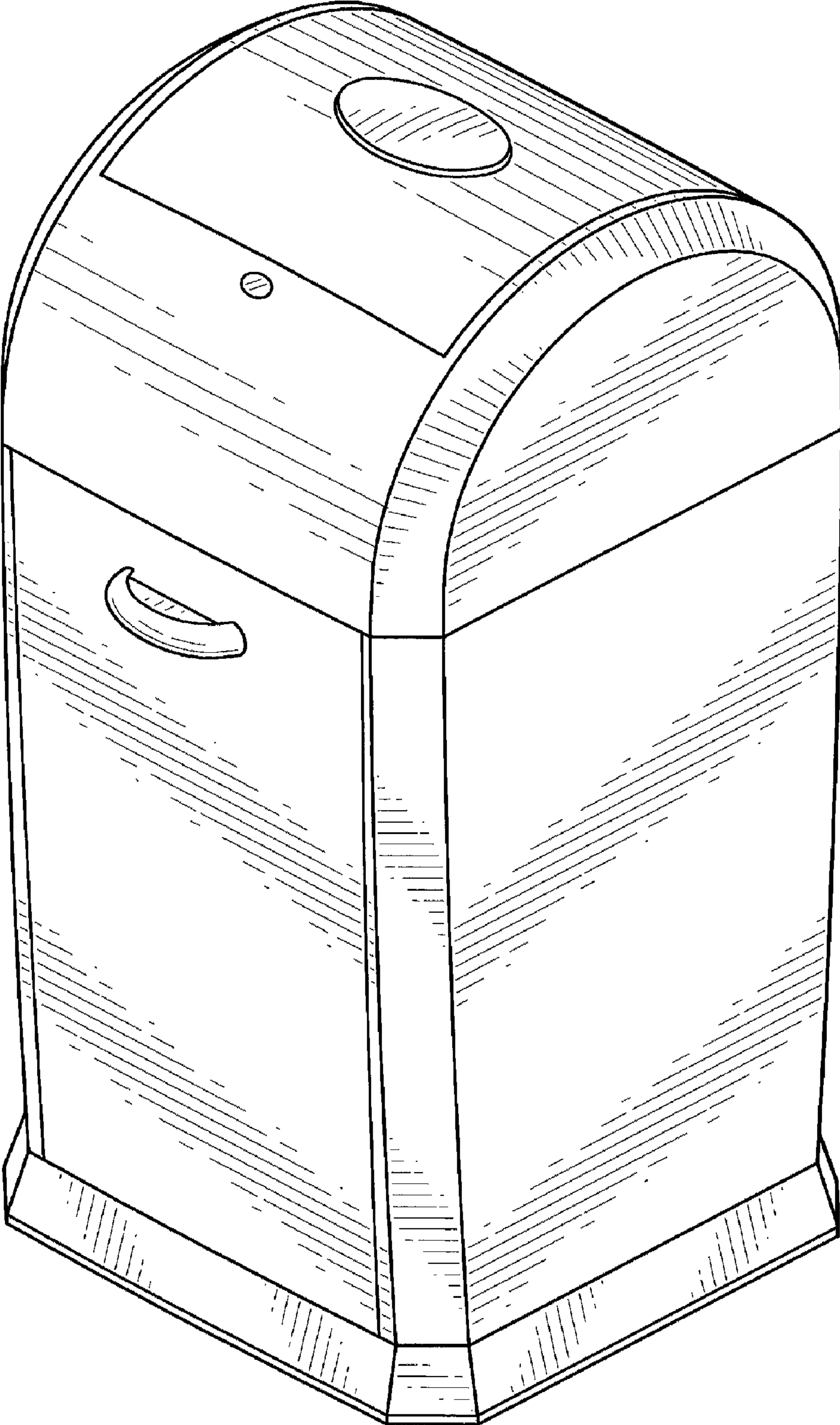


FIG-1

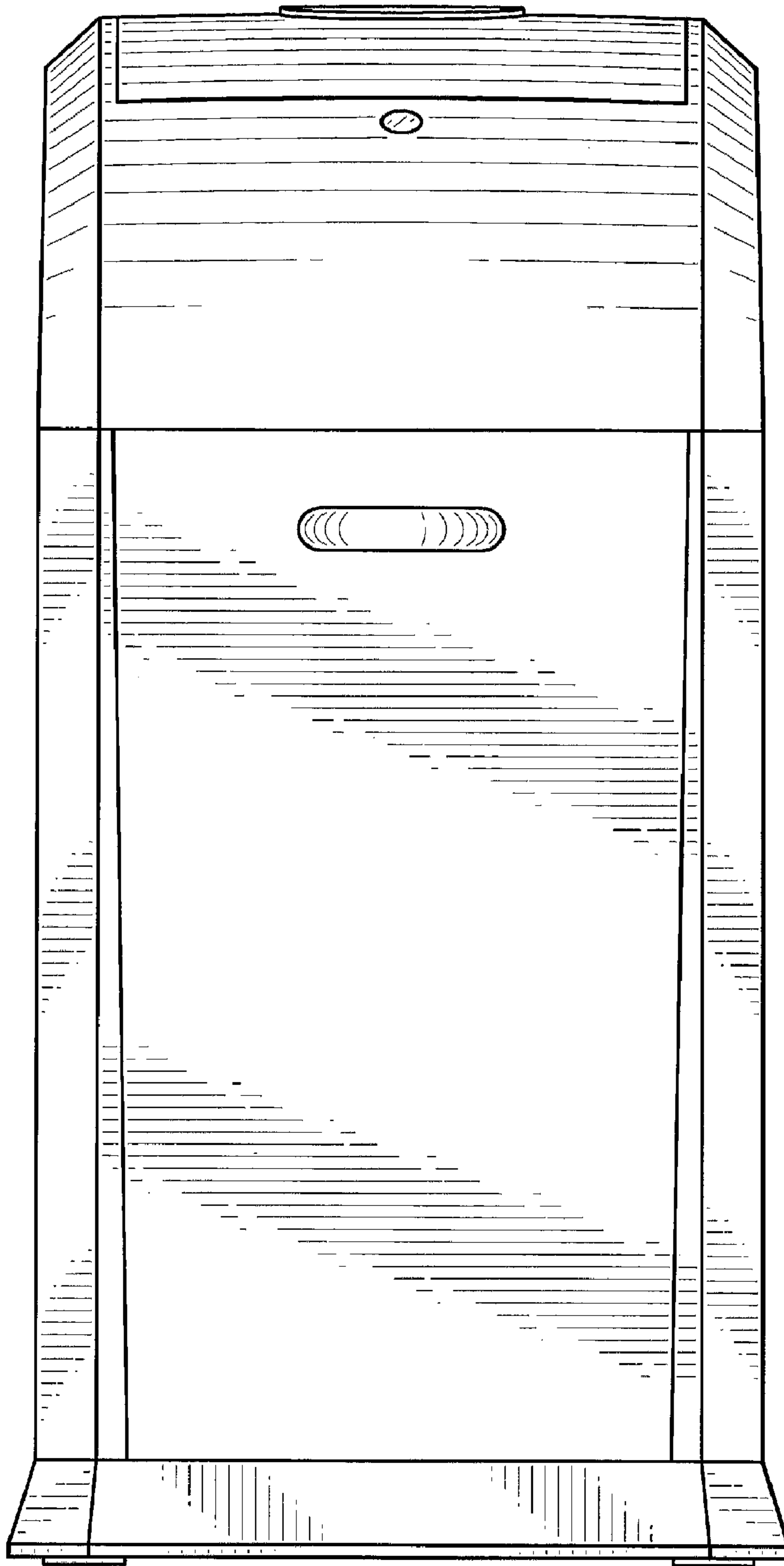


FIG-2

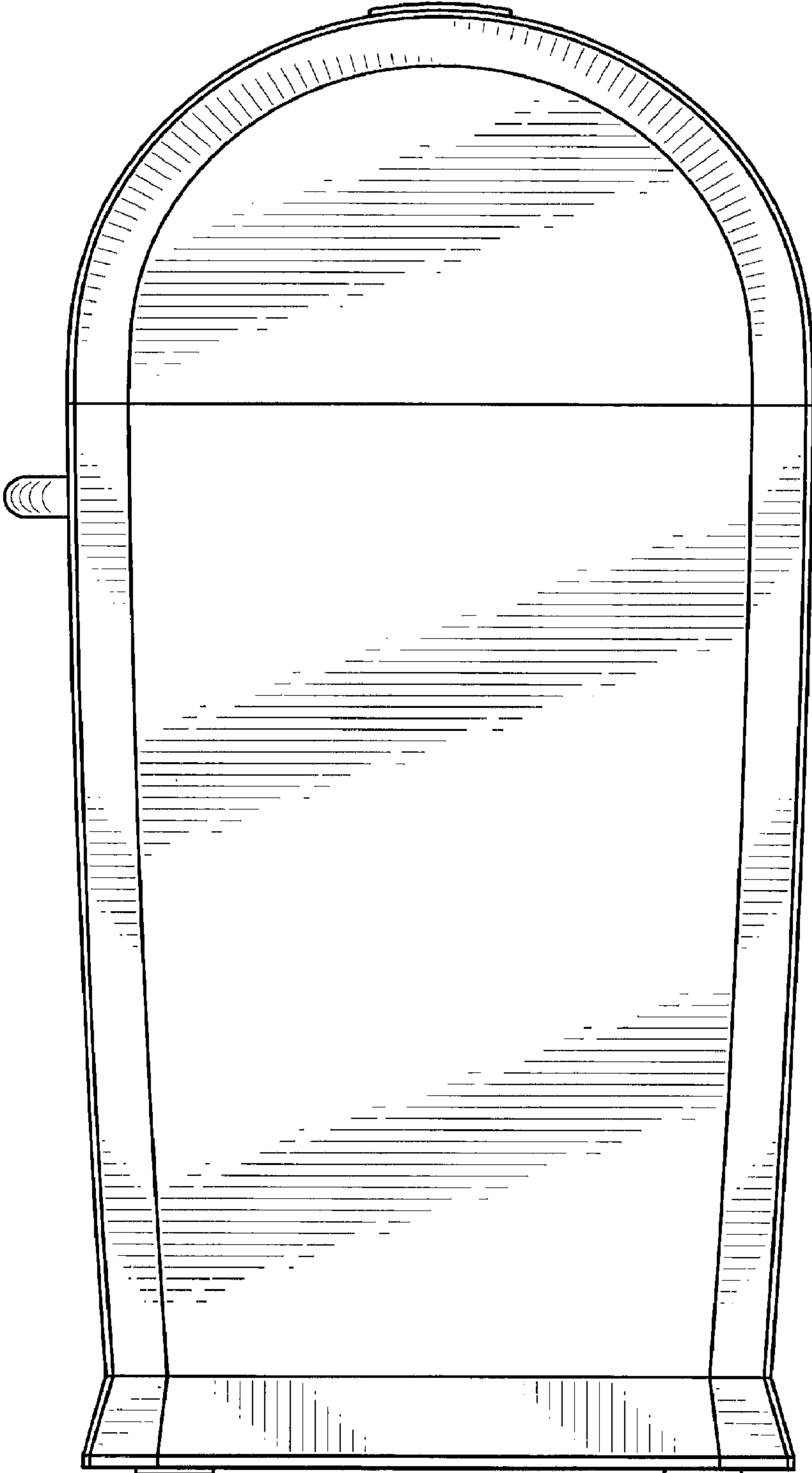


FIG-3

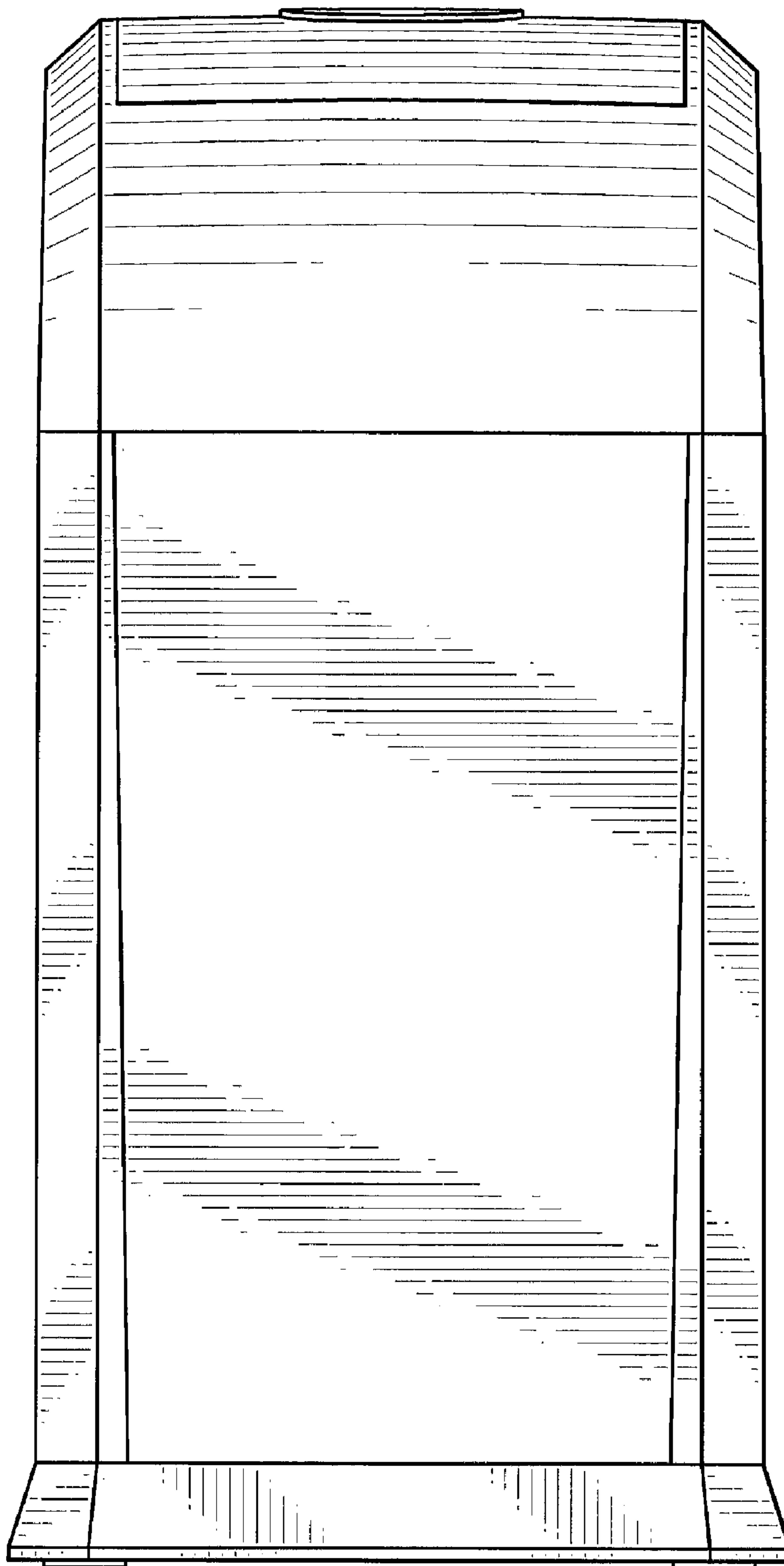


FIG-4

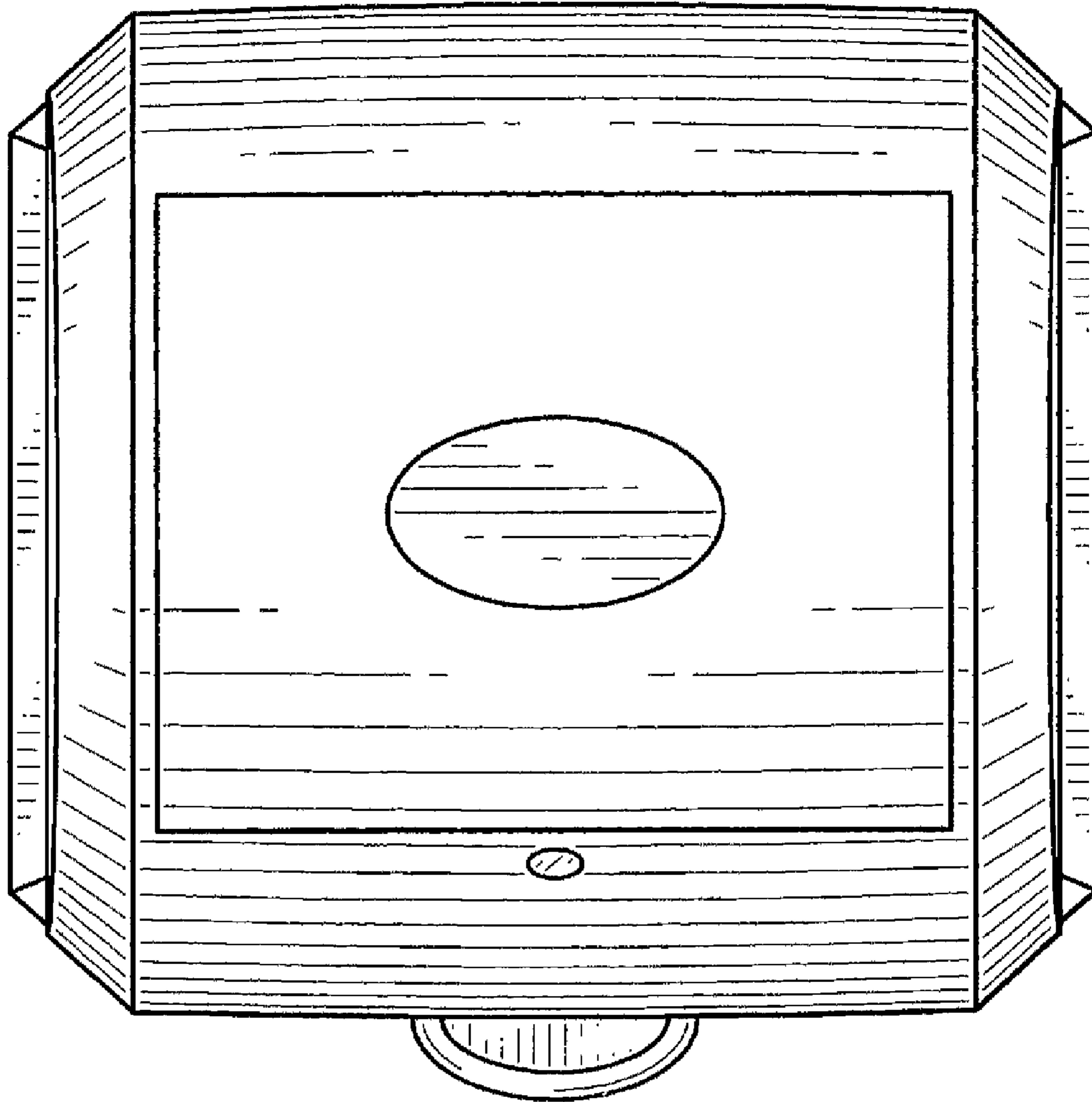


FIG-5