



US00D665549S

(12) **United States Design Patent**  
**Kropf et al.**

(10) **Patent No.:** **US D665,549 S**

(45) **Date of Patent:** **\*\* Aug. 14, 2012**

(54) **FOOTWEAR, GLOVE, AND GARMENT DRYER**

(76) Inventors: **James Kropf**, Logan, UT (US); **Grant Baker**, Millville, UT (US)

(\*\*) Term: **14 Years**

(21) Appl. No.: **29/400,956**

(22) Filed: **Sep. 2, 2011**

(51) **LOC (9) Cl.** ..... **07-05**

(52) **U.S. Cl.** ..... **D32/58**

(58) **Field of Classification Search** ..... D32/8,  
D32/58, 59; D24/109; D7/708; 34/90, 600,  
34/523, 441, 381, 240, 106, 105, 104, 103;  
D2/979

See application file for complete search history.

(56) **References Cited**

U.S. PATENT DOCUMENTS

4,171,580	A	10/1979	Vabrinskas	
4,198,765	A	4/1980	Miyamae	
4,200,993	A	5/1980	Blanc et al.	
4,768,293	A	9/1988	Kaffka	
4,908,957	A	3/1990	Acosta, Sr. et al.	
D310,742	S *	9/1990	Johnson	D32/58
4,967,060	A	10/1990	Lomeli	
5,016,364	A	5/1991	Cochrane	
D322,344	S	12/1991	Winkler	
5,165,181	A	11/1992	Acosta, Sr. et al.	
5,222,308	A	6/1993	Barker et al.	
5,287,636	A	2/1994	Lafleur et al.	
D347,094	S *	5/1994	Christensen, Jr.	D32/58
5,528,840	A	6/1996	Pajak et al.	
D373,867	S *	9/1996	Rask	D32/58
5,617,646	A	4/1997	Viscuso	
5,632,099	A *	5/1997	Seifert et al.	34/106

5,720,108	A	2/1998	Rice	
D412,231	S *	7/1999	Williams et al.	D32/58
D433,204	S *	10/2000	Gardner, Jr.	D32/58
D460,295	S *	7/2002	Fissell et al.	D6/467
6,591,517	B1	7/2003	Moore	
6,606,801	B2	8/2003	Strang et al.	
6,845,569	B1	1/2005	Kim	
6,889,448	B1	5/2005	Frew	
7,043,854	B2	5/2006	Peet et al.	
D544,670	S	6/2007	Sorvill	
D563,619	S *	3/2008	Palese et al.	D32/58
D576,773	S *	9/2008	Beckett	D32/58
7,430,816	B1	10/2008	Lozenski	
7,469,487	B2	12/2008	Macher et al.	
7,716,849	B1	5/2010	Hicks	
D641,528	S *	7/2011	Wai	D32/58
D648,091	S *	11/2011	Southwick	D32/58

\* cited by examiner

*Primary Examiner* — Austin Murphy

(74) *Attorney, Agent, or Firm* — Peck Hadfield Baxter & Moore, LLC; Preston P. Frischknecht

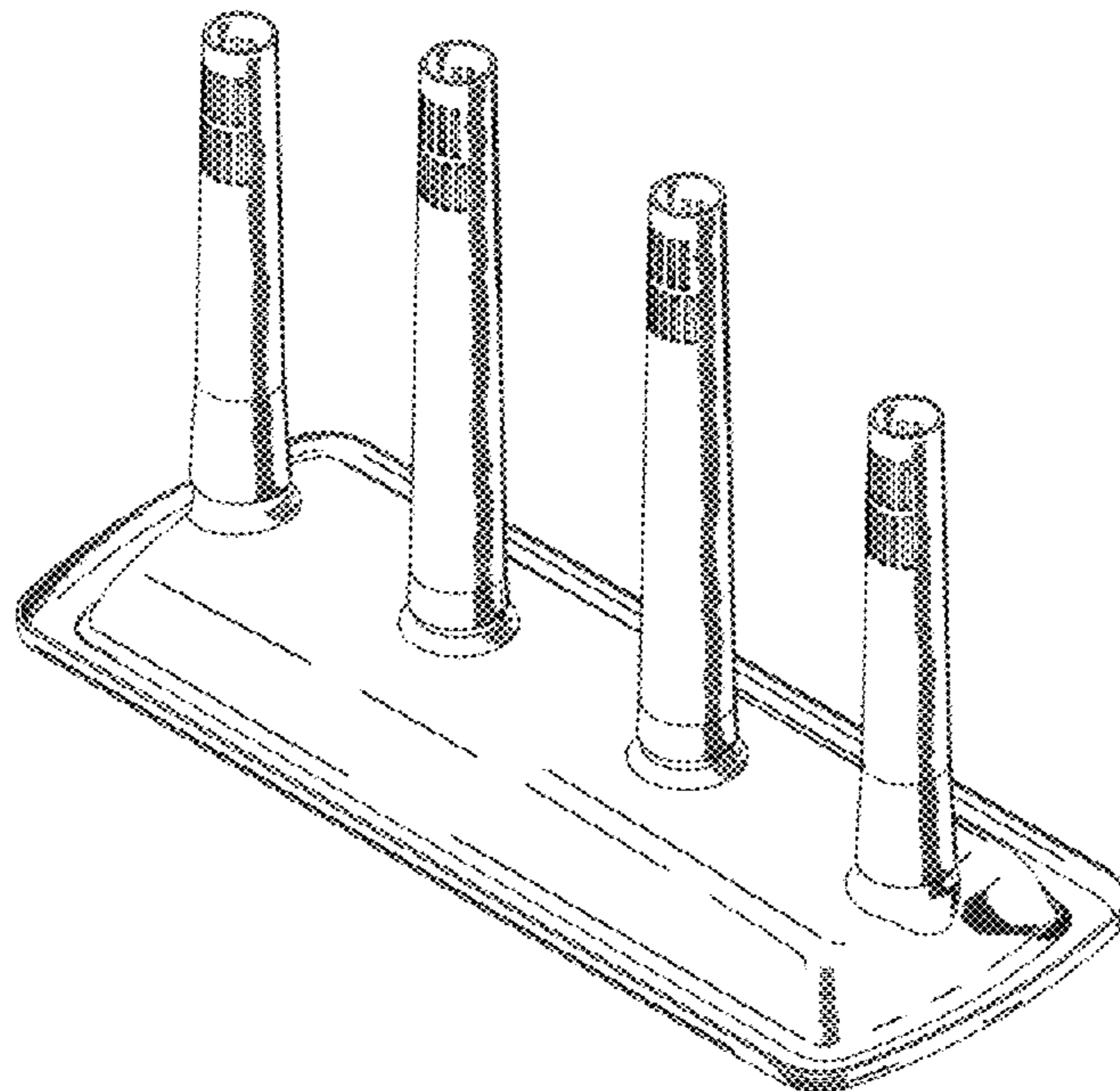
(57) **CLAIM**

The ornamental design for a footwear, glove, and garment dryer, as shown.

**DESCRIPTION**

FIG. 1 is a fully assembled isometric view showing the new design;  
FIG. 2 is an exploded isometric view thereof;  
FIG. 3 is a right side view thereof;  
FIG. 4 is a left side view thereof;  
FIG. 5 is a back view thereof;  
FIG. 6 is a front view thereof;  
FIG. 7 is a top view thereof; and,  
FIG. 8 is a bottom view thereof.

**1 Claim, 8 Drawing Sheets**



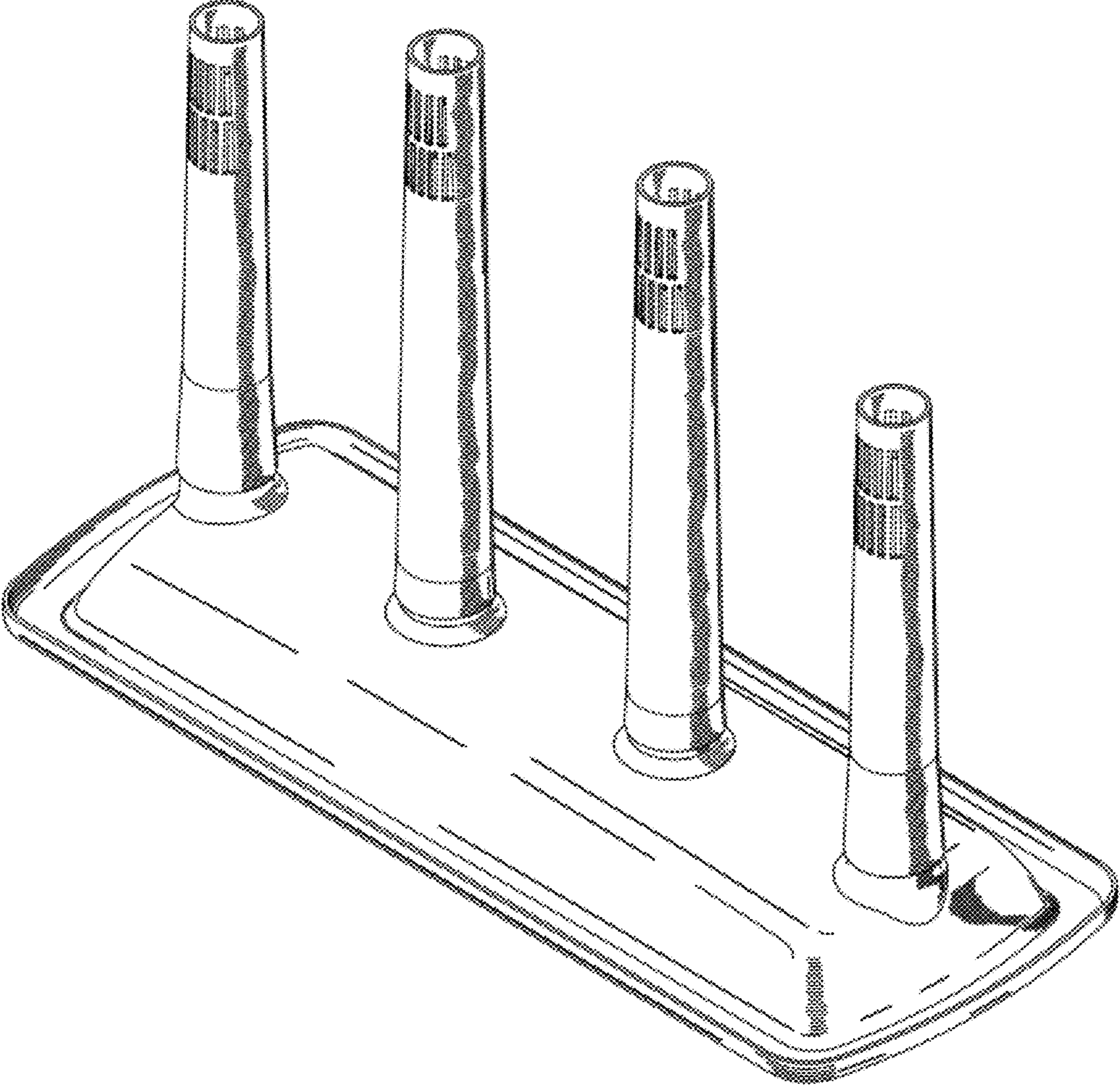


Fig. 1

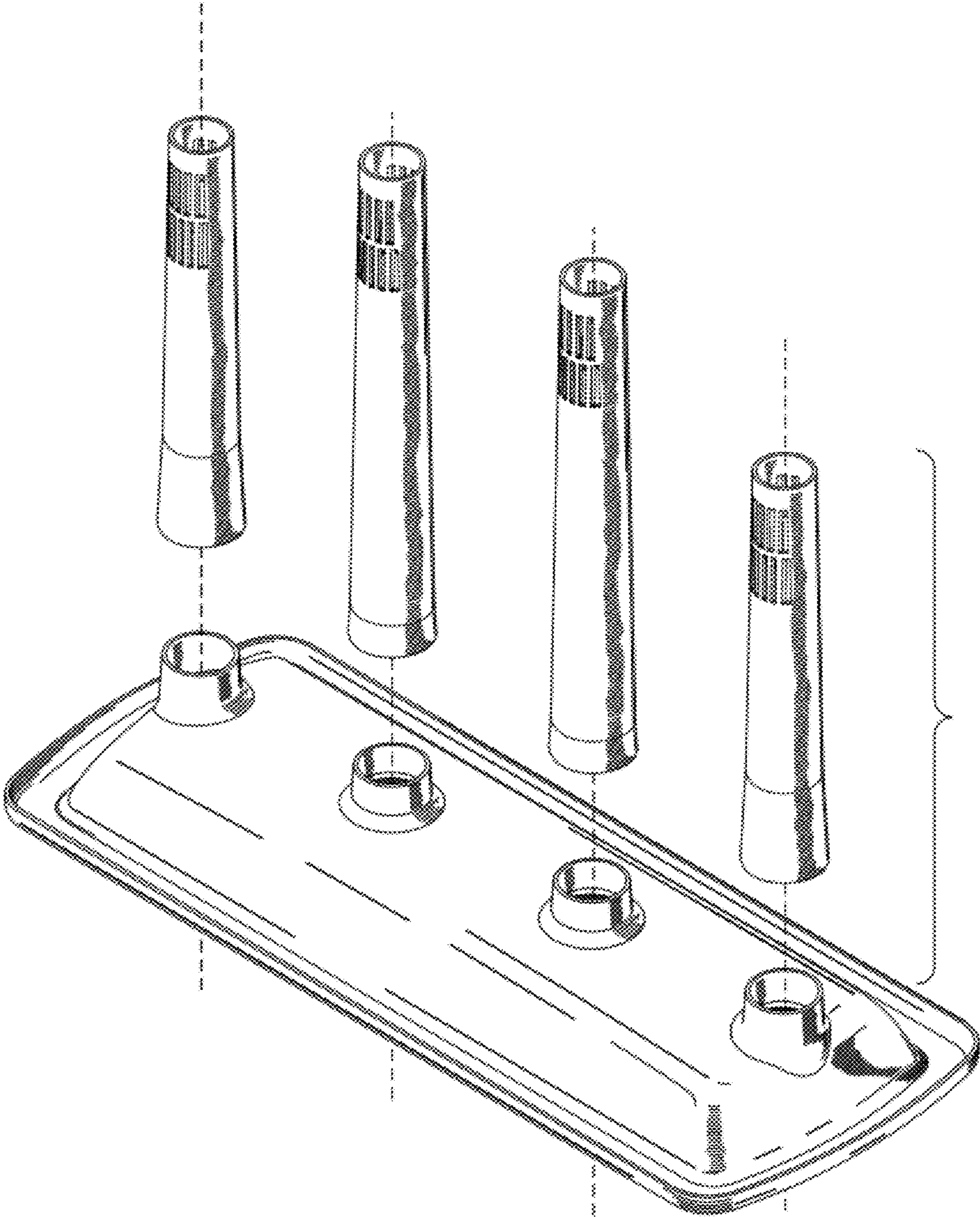


Fig. 2

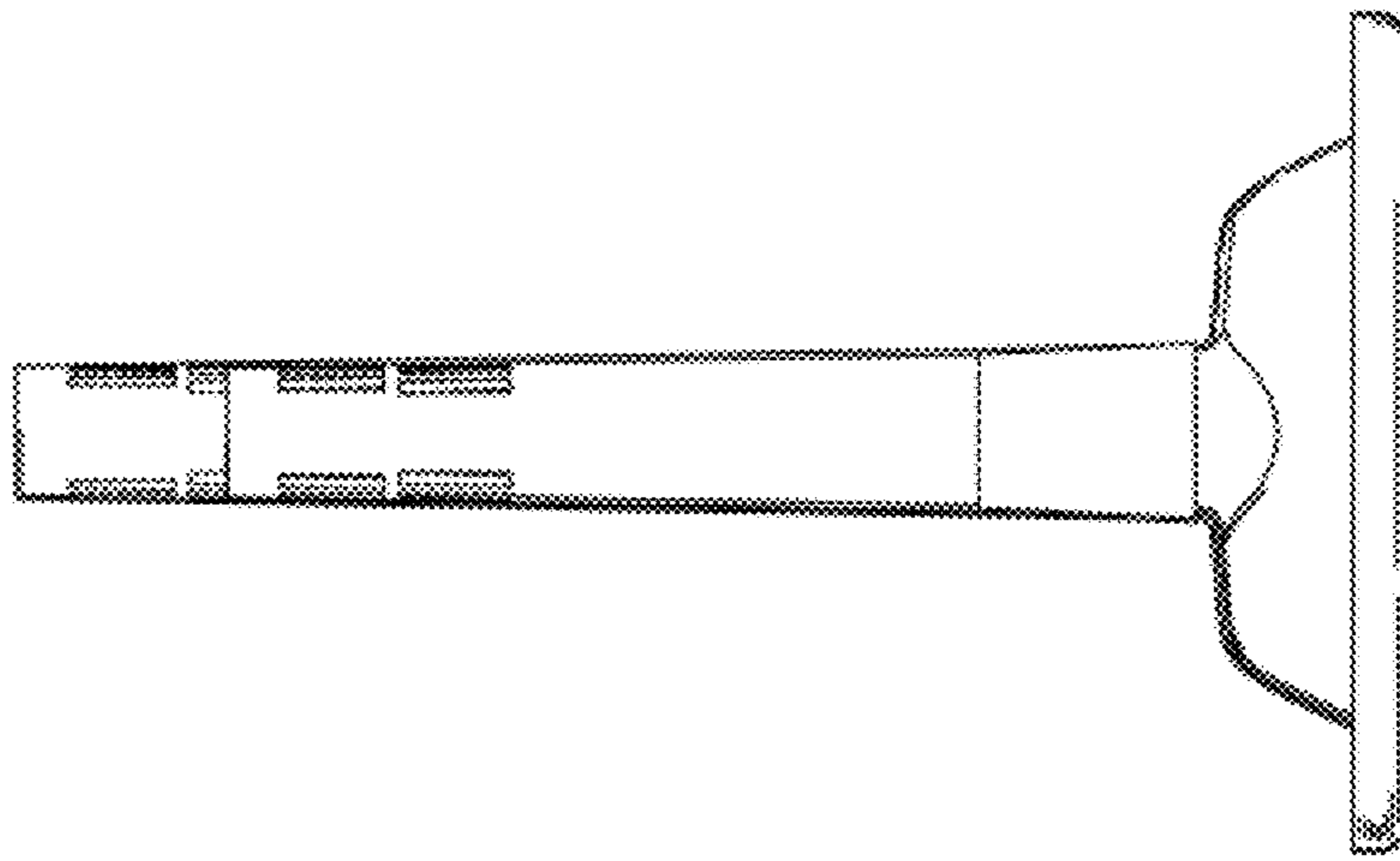


Fig. 3

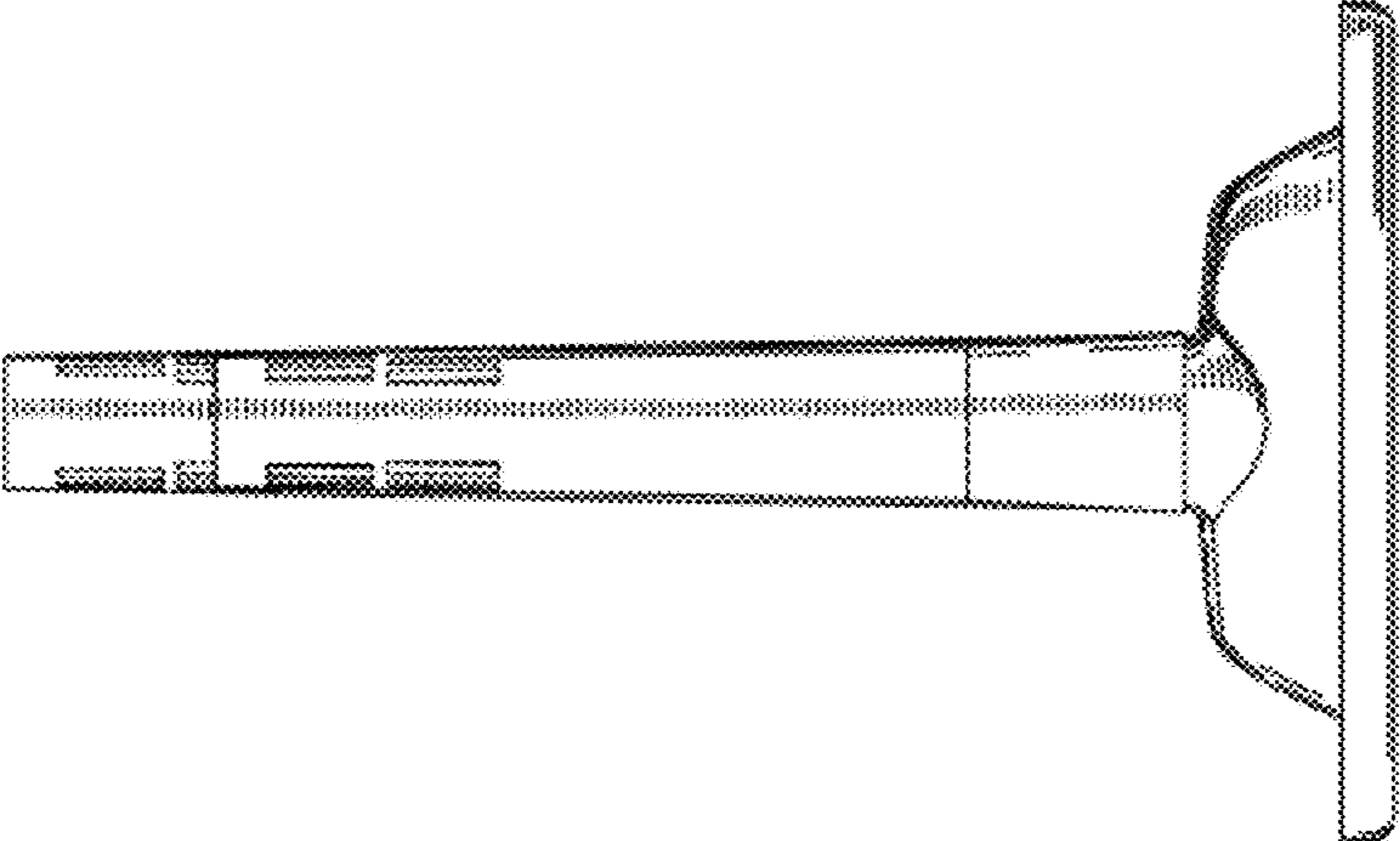


Fig. 4

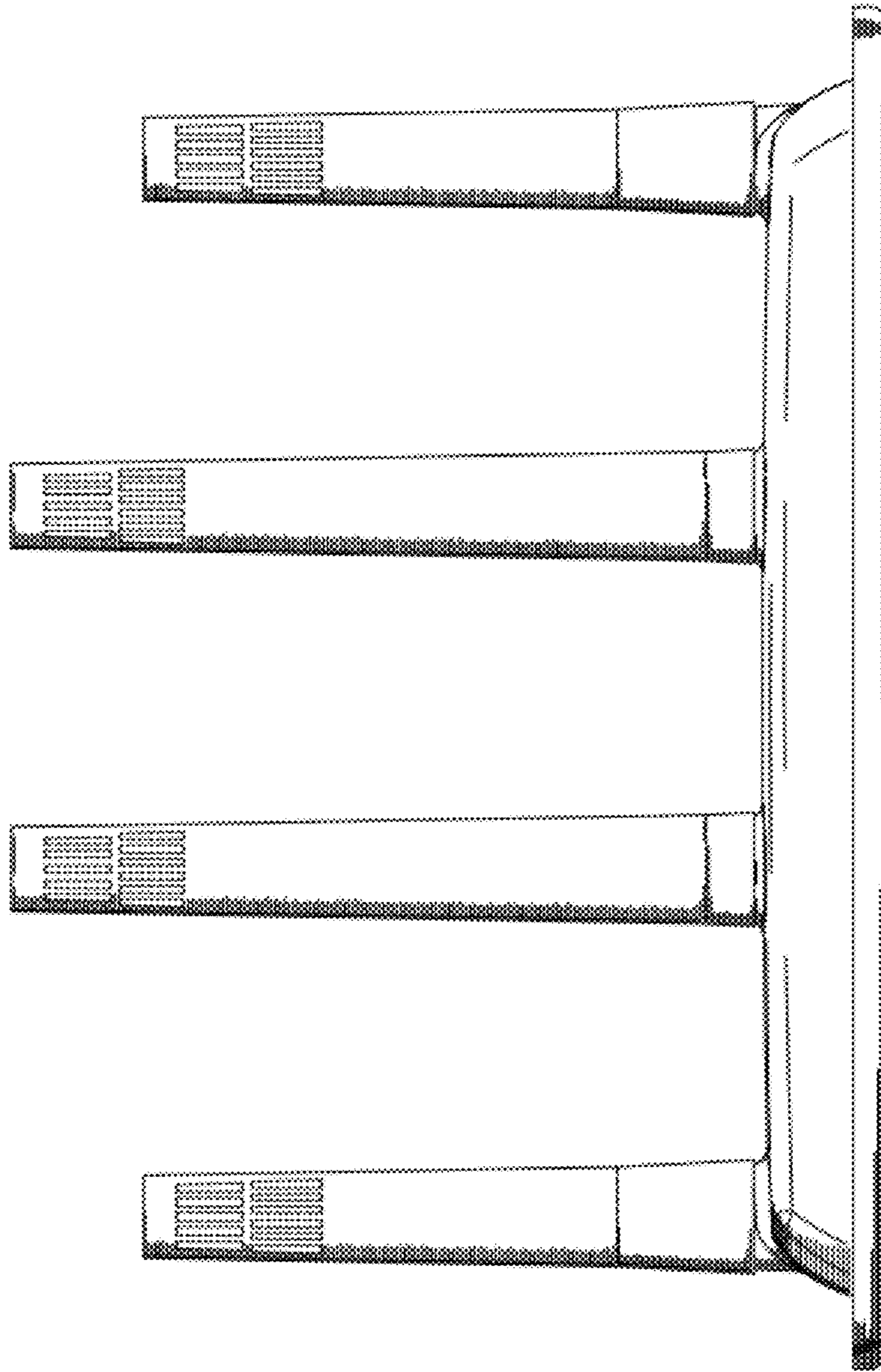


Fig. 5

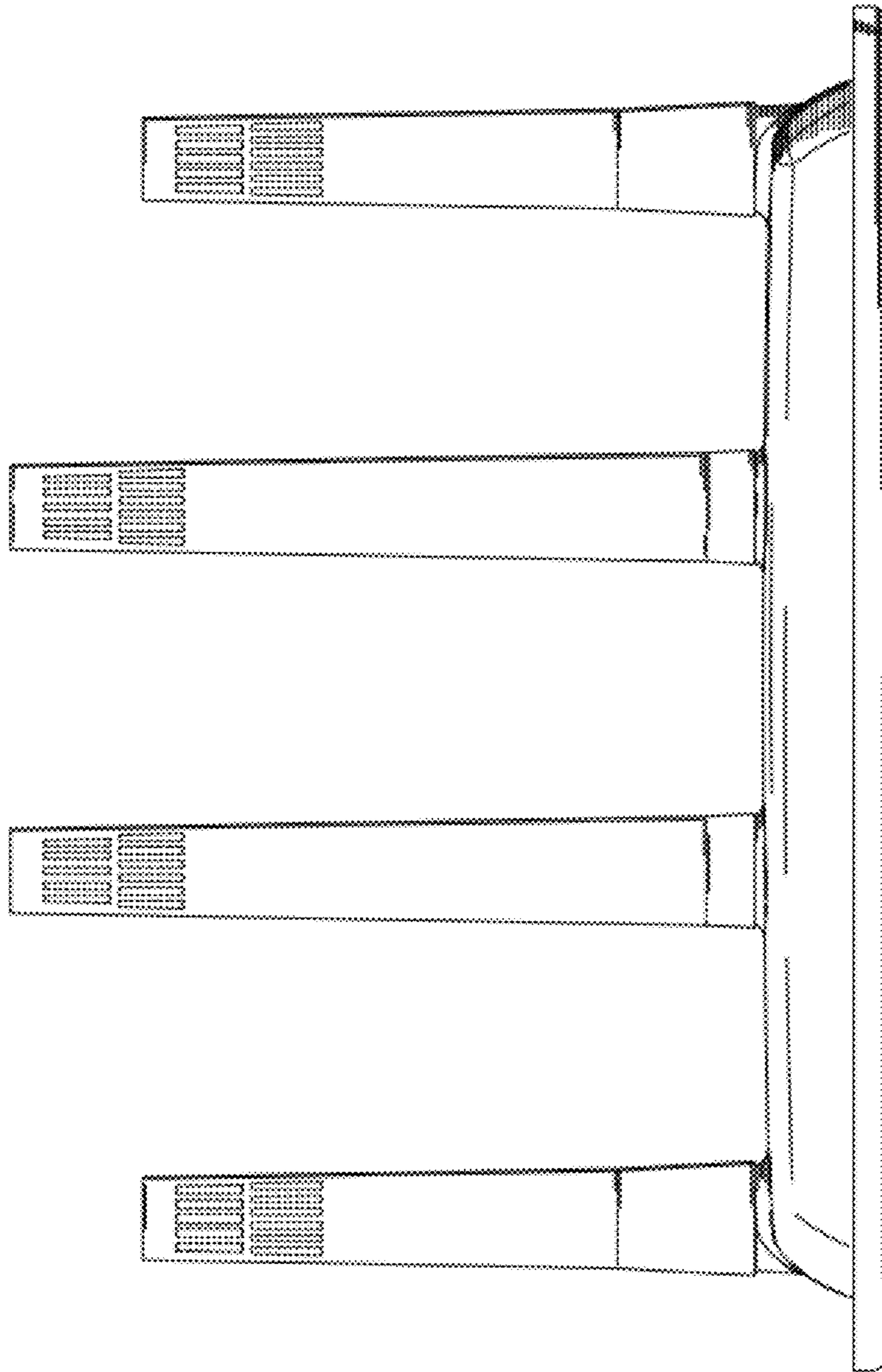


Fig. 6

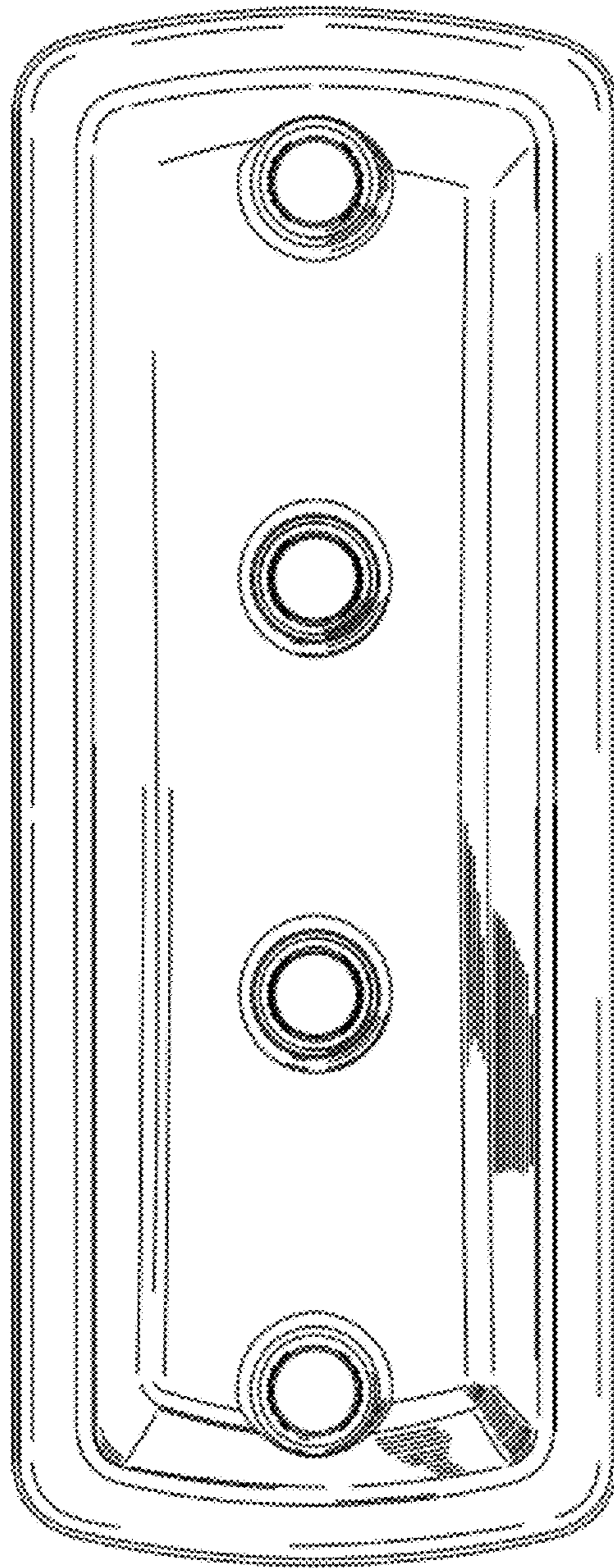


Fig. 7



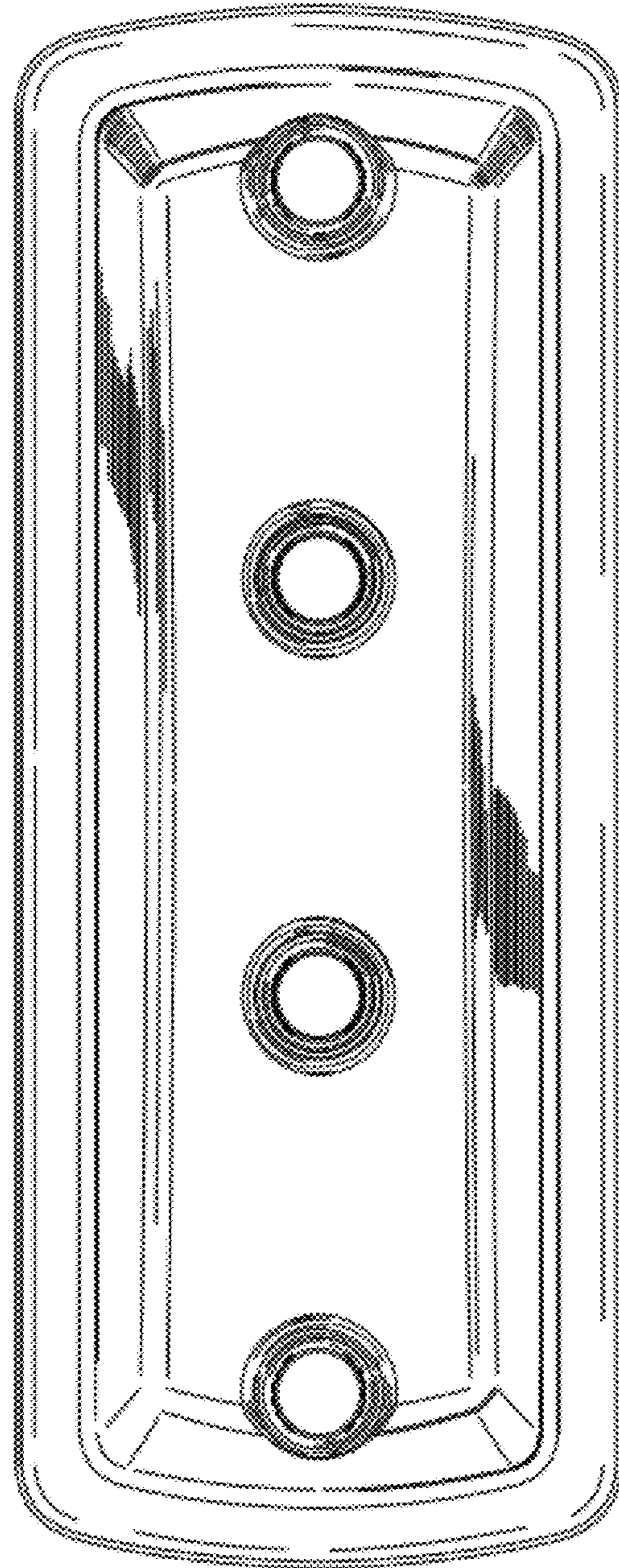


Fig. 8