



US00D665546S

(12) **United States Design Patent**  
**Van Den Heuvel**

(10) **Patent No.:** **US D665,546 S**

(45) **Date of Patent:** **\*\* Aug. 14, 2012**

(54) **COMPACT FLOATING VACUUM CLEANER**

(76) **Inventor:** **Cristiaan Van Den Heuvel,**  
Penetanguishene (CA)

(\*\*) **Term:** **14 Years**

(21) **Appl. No.:** **29/381,741**

(22) **Filed:** **Dec. 22, 2010**

(30) **Foreign Application Priority Data**

Jul. 9, 2010 (CA) ..... 136282

(51) **LOC (9) Cl.** ..... **15-05**

(52) **U.S. Cl.** ..... **D32/21; D32/32**

(58) **Field of Classification Search** ..... D32/1,  
D32/21, 31; 417/46; 210/167.16, 416.2;  
134/168 R, 167 R, 169 R, 172, 21, 18; 15/1.7  
See application file for complete search history.

(56) **References Cited**

**U.S. PATENT DOCUMENTS**

D304,505	S	*	11/1989	Maier et al.	.....	D32/1
D325,452	S	*	4/1992	Gefer	.....	D32/21
5,398,361	A	*	3/1995	Cason	.....	15/1.7
D358,235	S	*	5/1995	Brooks et al.	.....	D32/1
5,469,596	A	*	11/1995	Rief et al.	.....	15/1.7
D373,230	S	*	8/1996	Sebor et al.	.....	D32/1
D384,782	S	*	10/1997	Gefer	.....	D32/21
D400,319	S	*	10/1998	Hofheins et al.	.....	D32/1
D417,322	S	*	11/1999	Hollinger	.....	D32/1
D430,368	S	*	8/2000	Porat et al.	.....	D32/25

6,209,167	B1		4/2001	Rooney et al.	
6,842,931	B2	*	1/2005	Porat et al.	..... 15/1.7
6,886,205	B1	*	5/2005	Pichon	..... 15/1.7
D630,808	S	*	1/2011	Dye et al.	..... D32/21
D630,809	S	*	1/2011	Dye et al.	..... D32/21
D630,810	S	*	1/2011	Bruneel	..... D32/21
2004/0025268	A1	*	2/2004	Porat et al.	..... 15/1.7
2007/0028405	A1	*	2/2007	Garti	..... 15/1.7
2007/0192971	A1	*	8/2007	Hui	..... 15/1.7
2009/0307854	A1	*	12/2009	Garti	..... 15/1.7

**FOREIGN PATENT DOCUMENTS**

CA 2247721 3/2000

\* cited by examiner

*Primary Examiner* — Ruth McInroy

(74) *Attorney, Agent, or Firm* — Neil H. Hughes

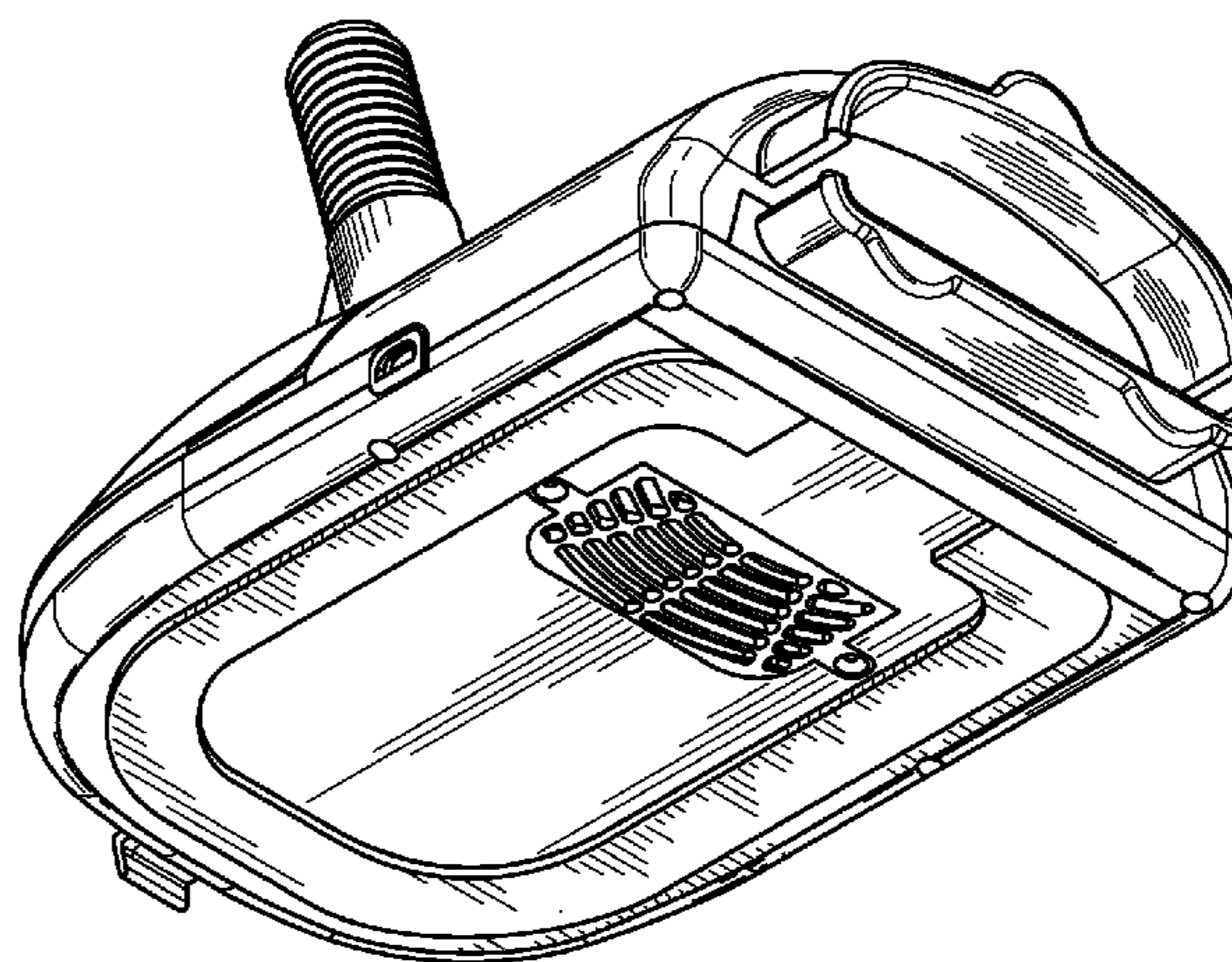
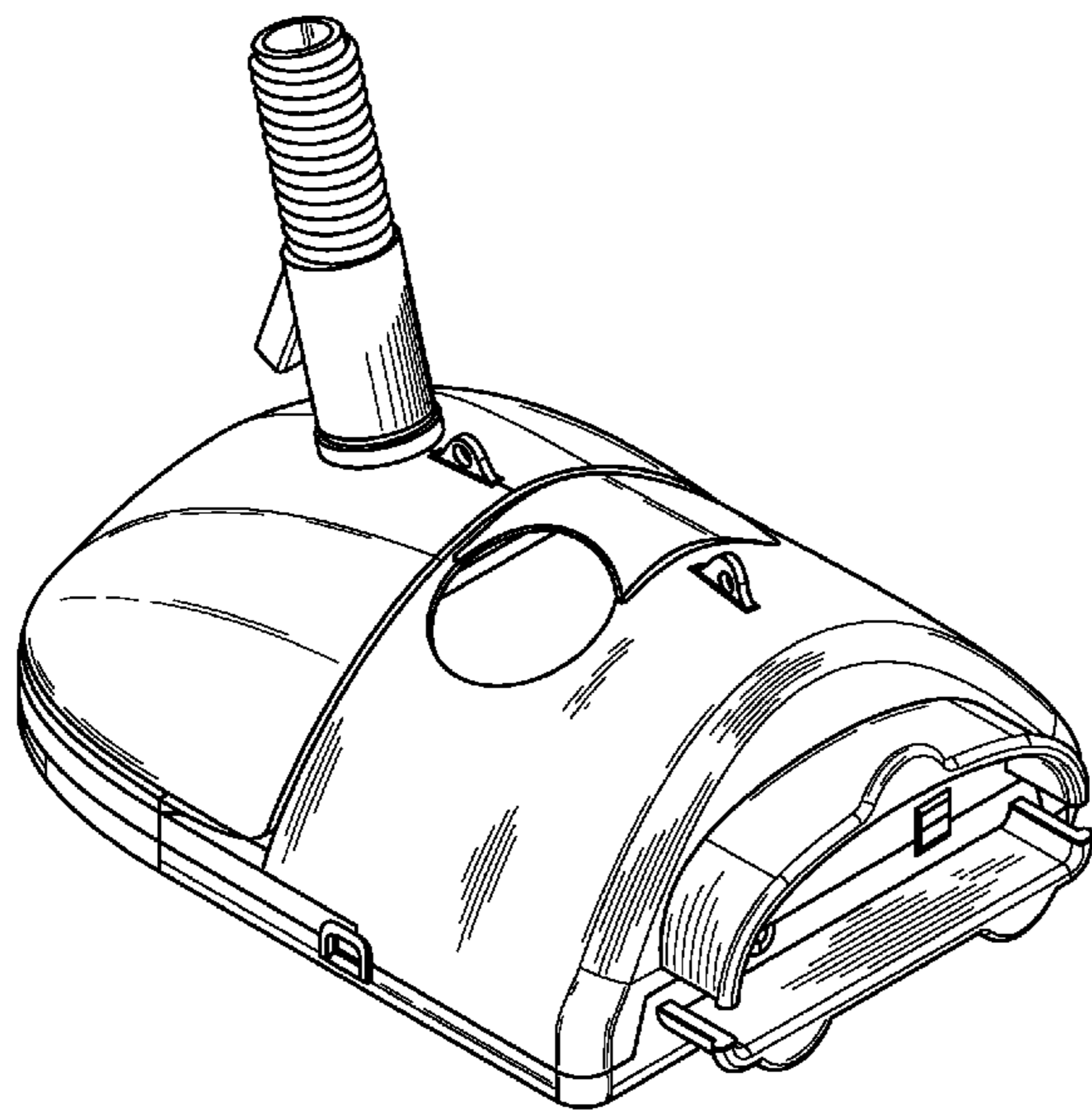
(57) **CLAIM**

The ornamental design for a compact floating vacuum cleaner, as shown and described.

**DESCRIPTION**

FIG. 1 is a top perspective view of a compact floating vacuum cleaner showing my new design;  
FIG. 2 is a bottom perspective view thereof;  
FIG. 3 is a left side view thereof;  
FIG. 4 is a right side view thereof;  
FIG. 5 is a top plan view thereof;  
FIG. 6 is a bottom plan view thereof;  
FIG. 7 is a front view thereof; and,  
FIG. 8 is a rear view thereof.

**1 Claim, 4 Drawing Sheets**



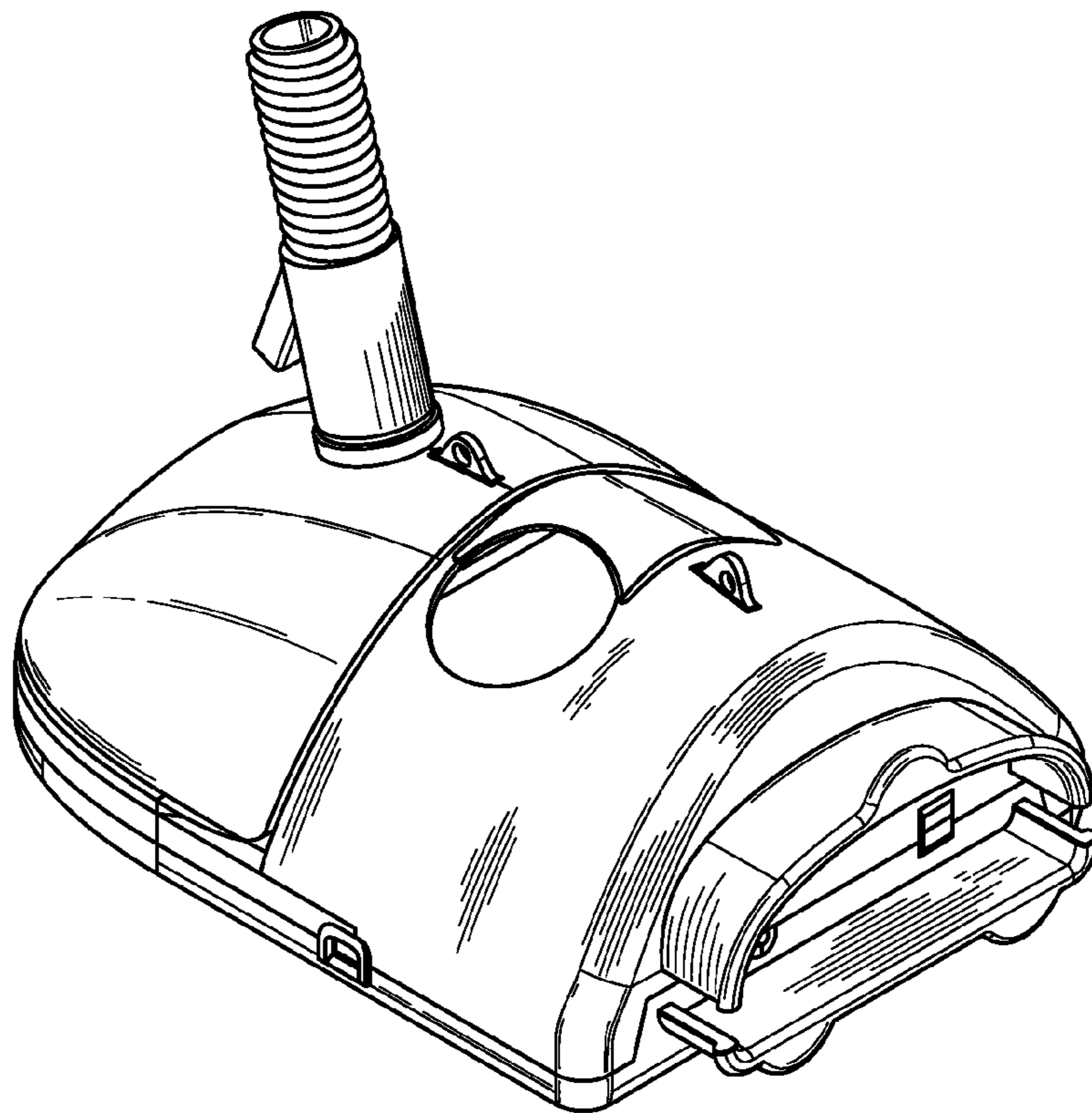


FIG. 1

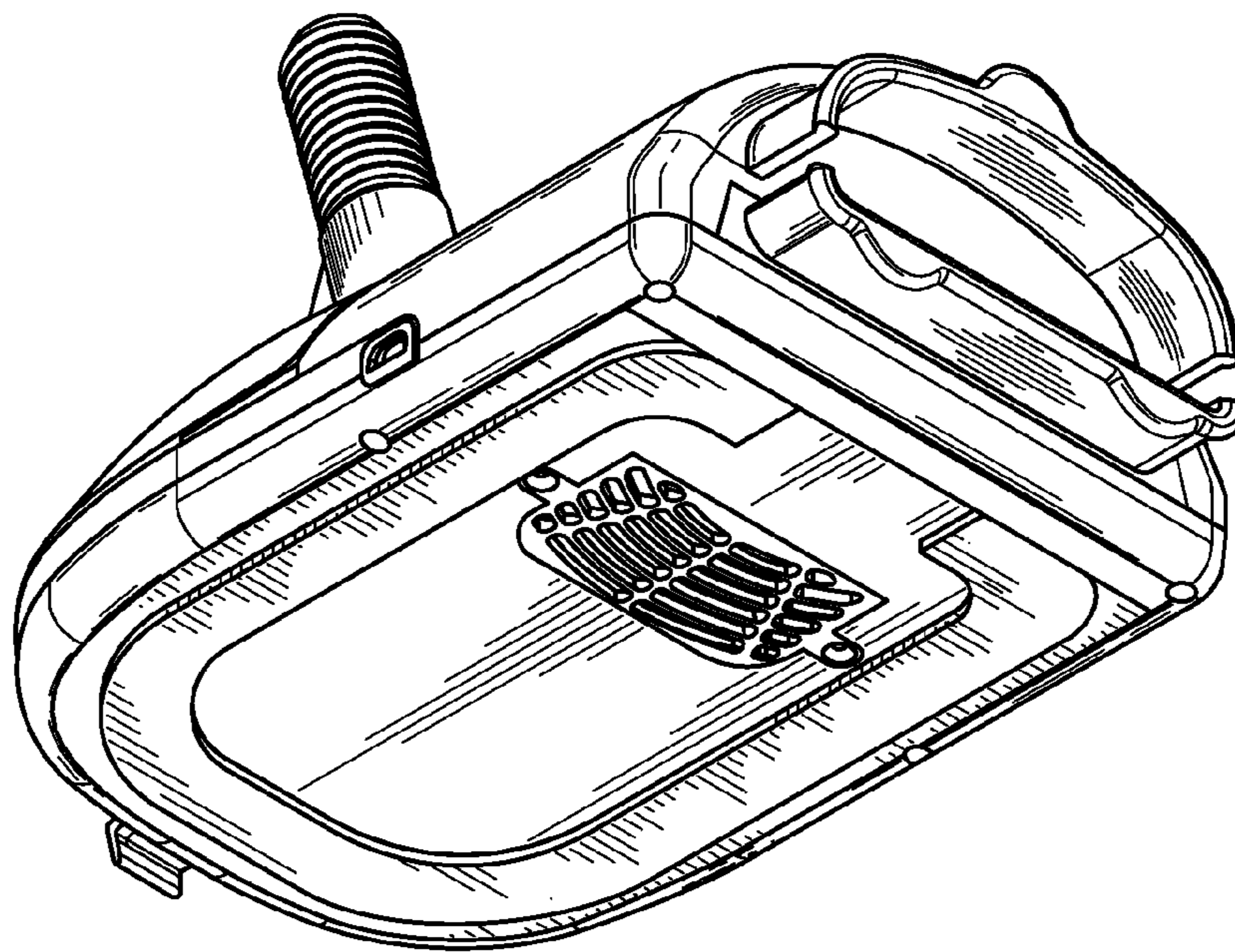


FIG. 2

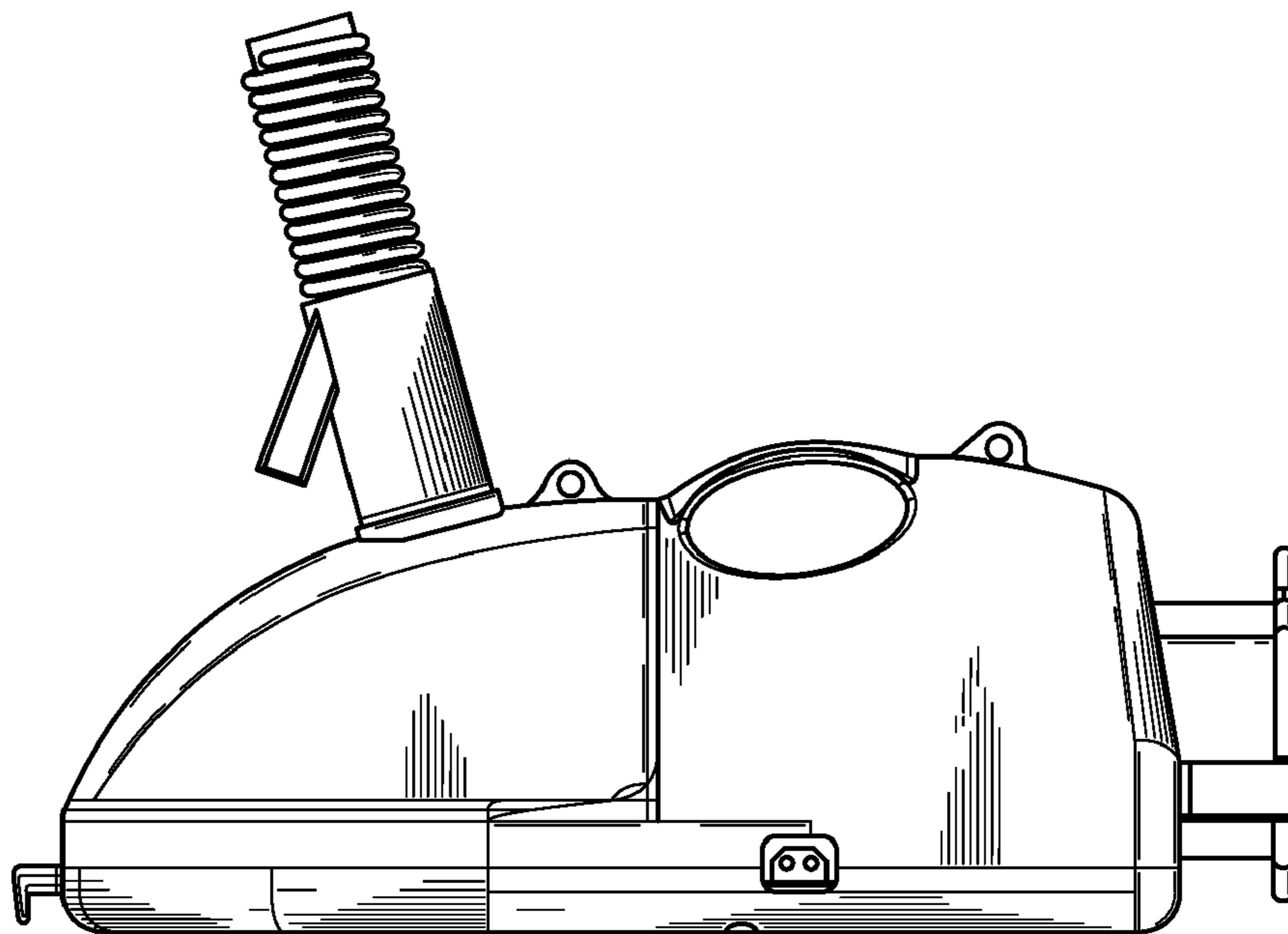


FIG. 3

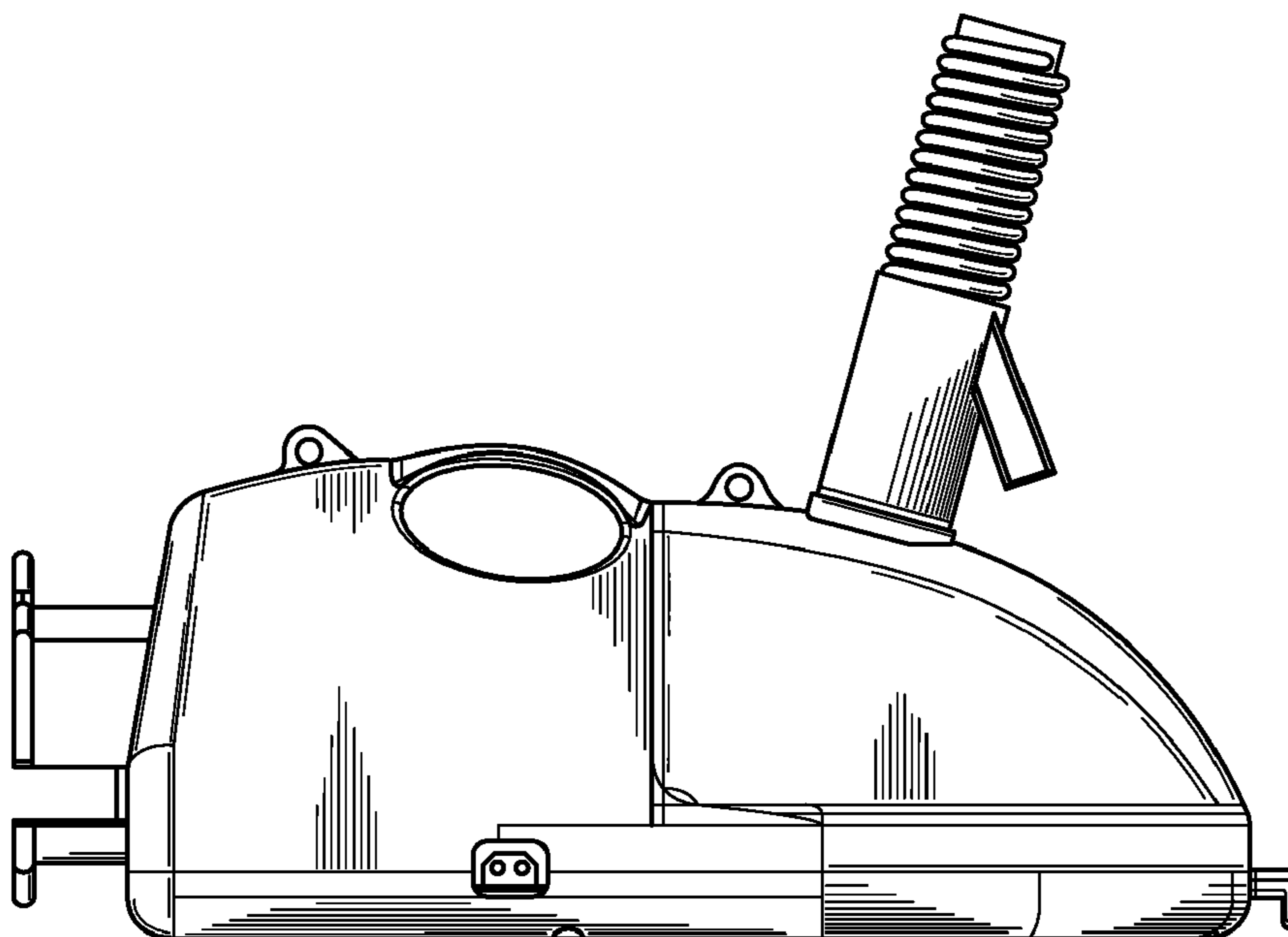


FIG. 4

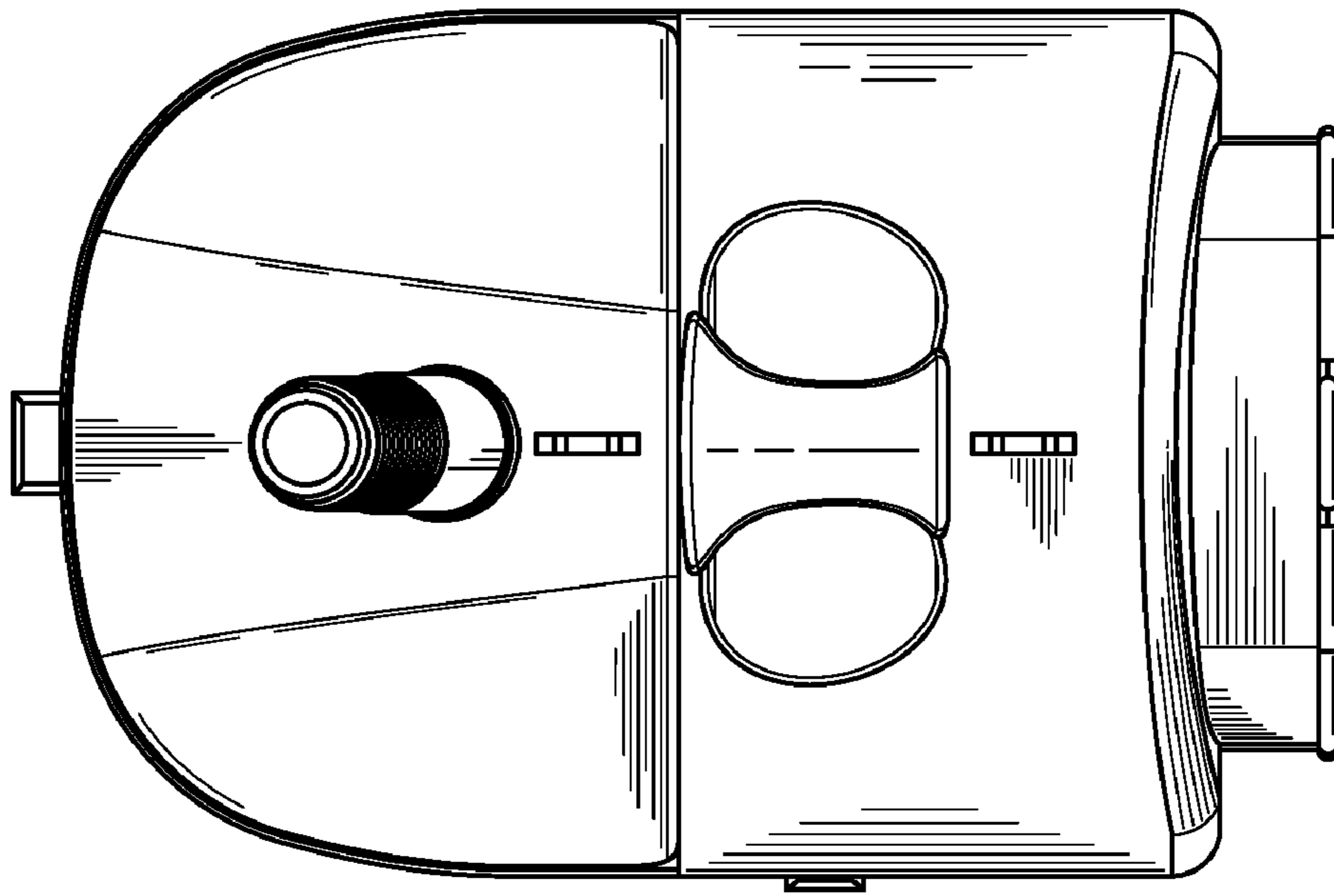


FIG. 5

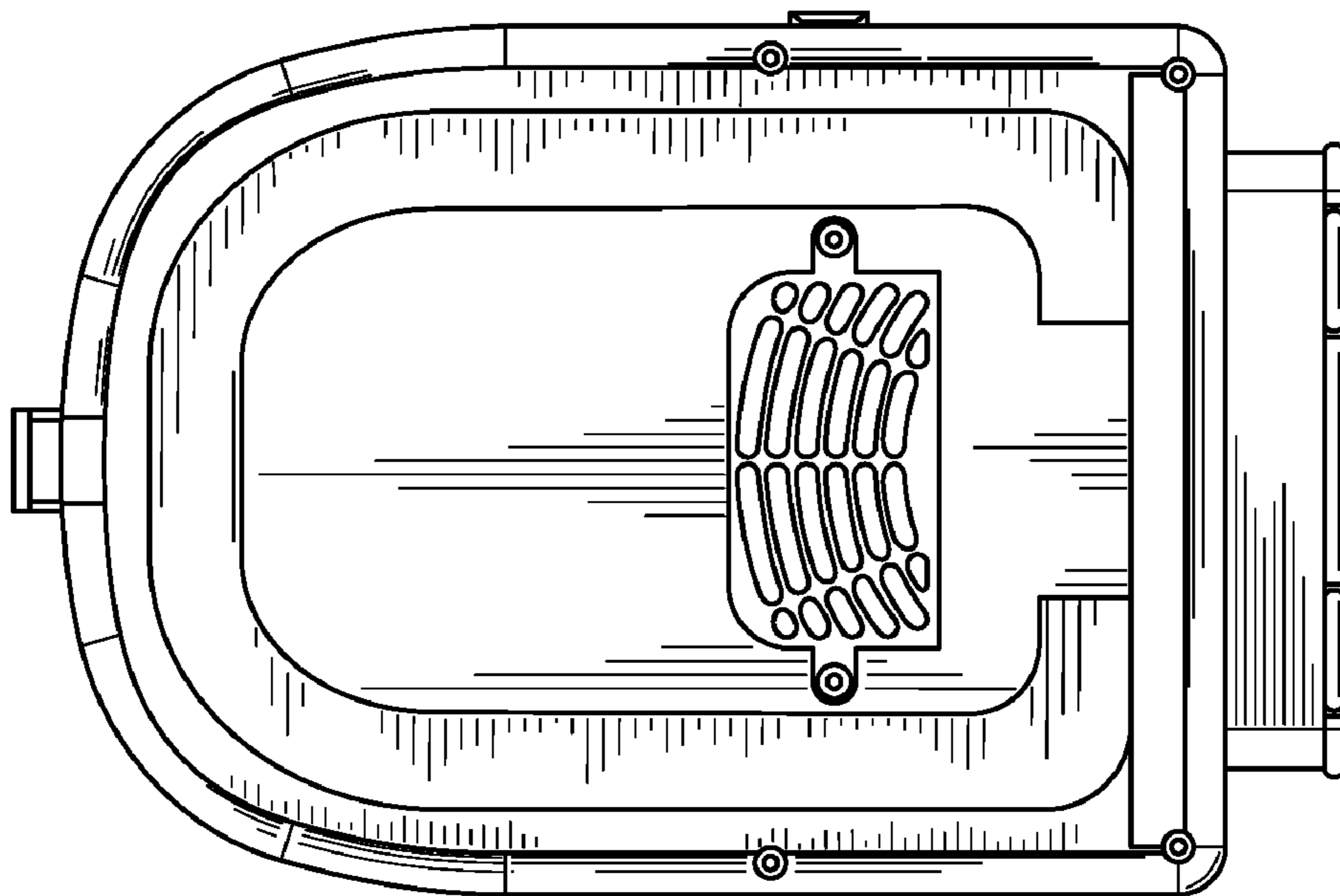


FIG. 6

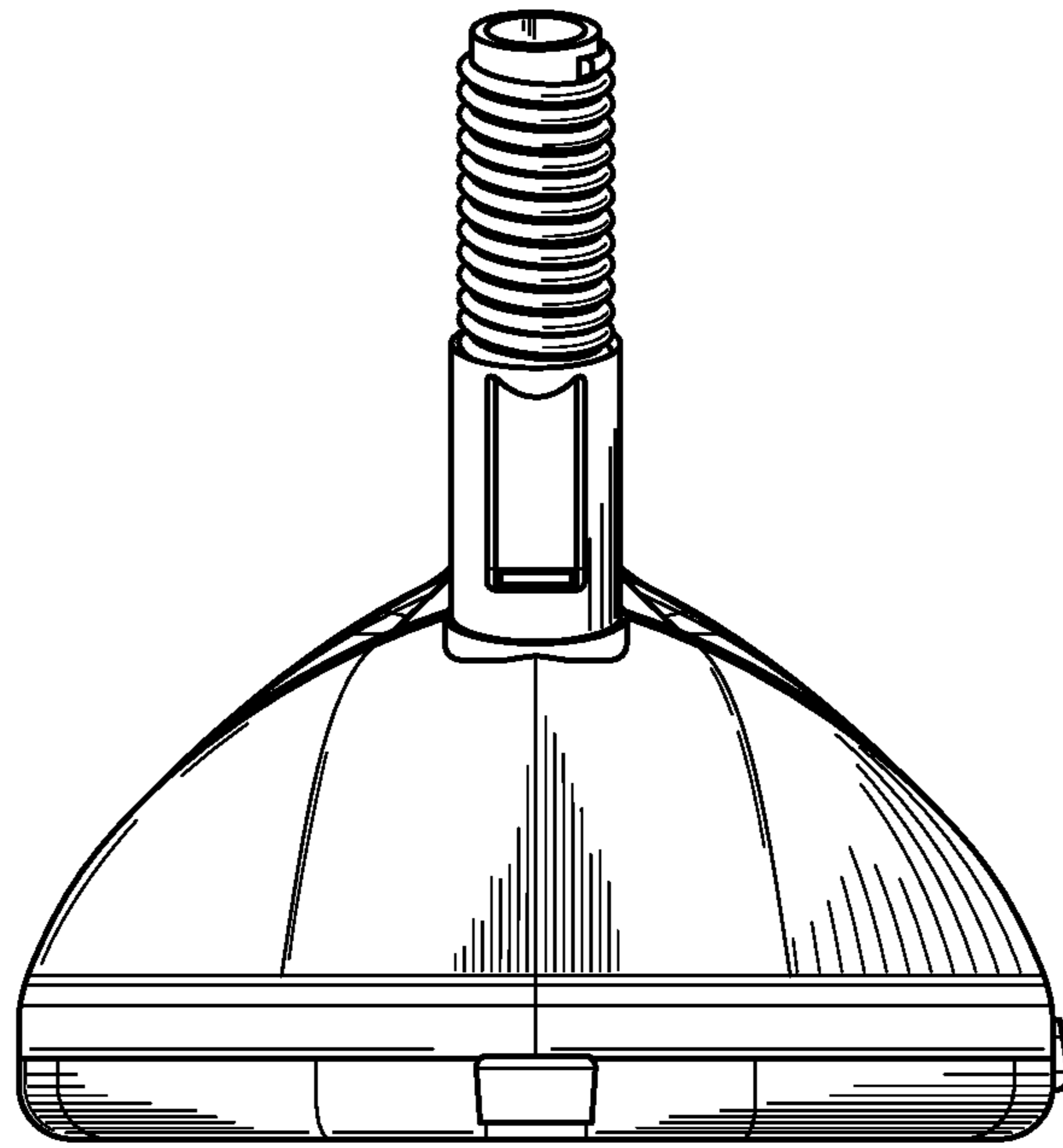


FIG. 7

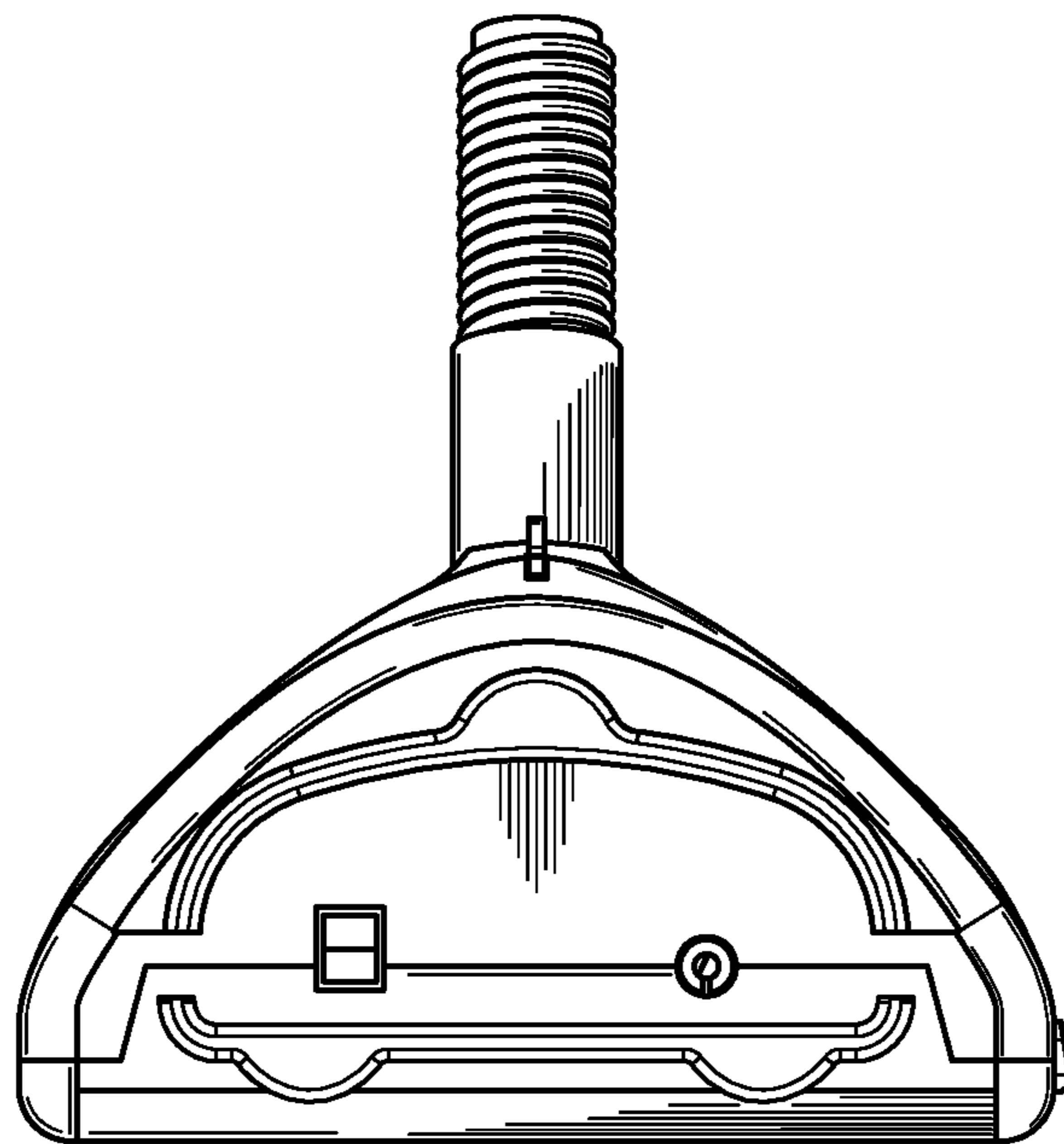


FIG. 8