

US00D665542S

(12) **United States Design Patent**  
**Benold**

(10) **Patent No.:** **US D665,542 S**

(45) **Date of Patent:** **\*\* Aug. 14, 2012**

(54) **DISHWASHER PANEL**

(75) **Inventor:** **Frank Benold, Porcia (IT)**

(73) **Assignee:** **Electrolux Home Products Corporation N.V. (BE)**

(\*\*) **Term:** **14 Years**

(21) **Appl. No.:** **29/367,770**

(22) **Filed:** **Aug. 12, 2010**

(30) **Foreign Application Priority Data**

Feb. 12, 2010 (EM) ..... 001669227

(51) **LOC (9) Cl.** ..... **15-05**

(52) **U.S. Cl.** ..... **D32/3**

(58) **Field of Classification Search** ..... D32/1-3,  
D32/25, 28; D7/340, 348-351, 405; 134/56 D,  
134/57 D, 58 DL, 113, 133, 135, 201; 312/109  
See application file for complete search history.

(56) **References Cited**

**U.S. PATENT DOCUMENTS**

5,365,959 A	11/1994	Favaro
D373,860 S	9/1996	Manke
D377,853 S	2/1997	Sparks
D385,071 S	10/1997	Hughes et al.
D391,695 S	3/1998	Baldwin et al.
D441,149 S	4/2001	Bournay, Jr. et al.
D441,150 S	4/2001	Bournay, Jr. et al.
D449,720 S	10/2001	Costello
D455,874 S	4/2002	Resuello et al.
D460,224 S	7/2002	Richardson
D471,403 S	3/2003	Jones et al.

D473,684 S	4/2003	Wendt	
D473,980 S	4/2003	Bowser et al.	
D474,866 S	5/2003	Wendt	
D493,583 S *	7/2004	Kaczmarek	D32/3
D495,104 S *	8/2004	Kaczmarek	D32/3
D511,031 S *	10/2005	Ott et al.	D32/3
D530,048 S	10/2006	Knochner	
D530,460 S	10/2006	Knochner	
D533,691 S	12/2006	Knochner	
D618,403 S *	6/2010	Kaczmarek	D32/3
D618,404 S *	6/2010	Jenkins et al.	D32/3
D618,406 S *	6/2010	Ott	D32/3
D625,475 S *	10/2010	Kim et al.	D32/3
D627,938 S *	11/2010	Kim	D32/2
D630,804 S *	1/2011	Ott	D32/3
D630,806 S *	1/2011	Kaczmarek	D32/3
D635,312 S *	3/2011	Kaczmarek	D32/3
D640,429 S *	6/2011	Grobleben et al.	D32/3

\* cited by examiner

*Primary Examiner* — T. Chase Nelson

*Assistant Examiner* — Kathleen M Sims

(74) *Attorney, Agent, or Firm* — Banner & Witcoff, Ltd.

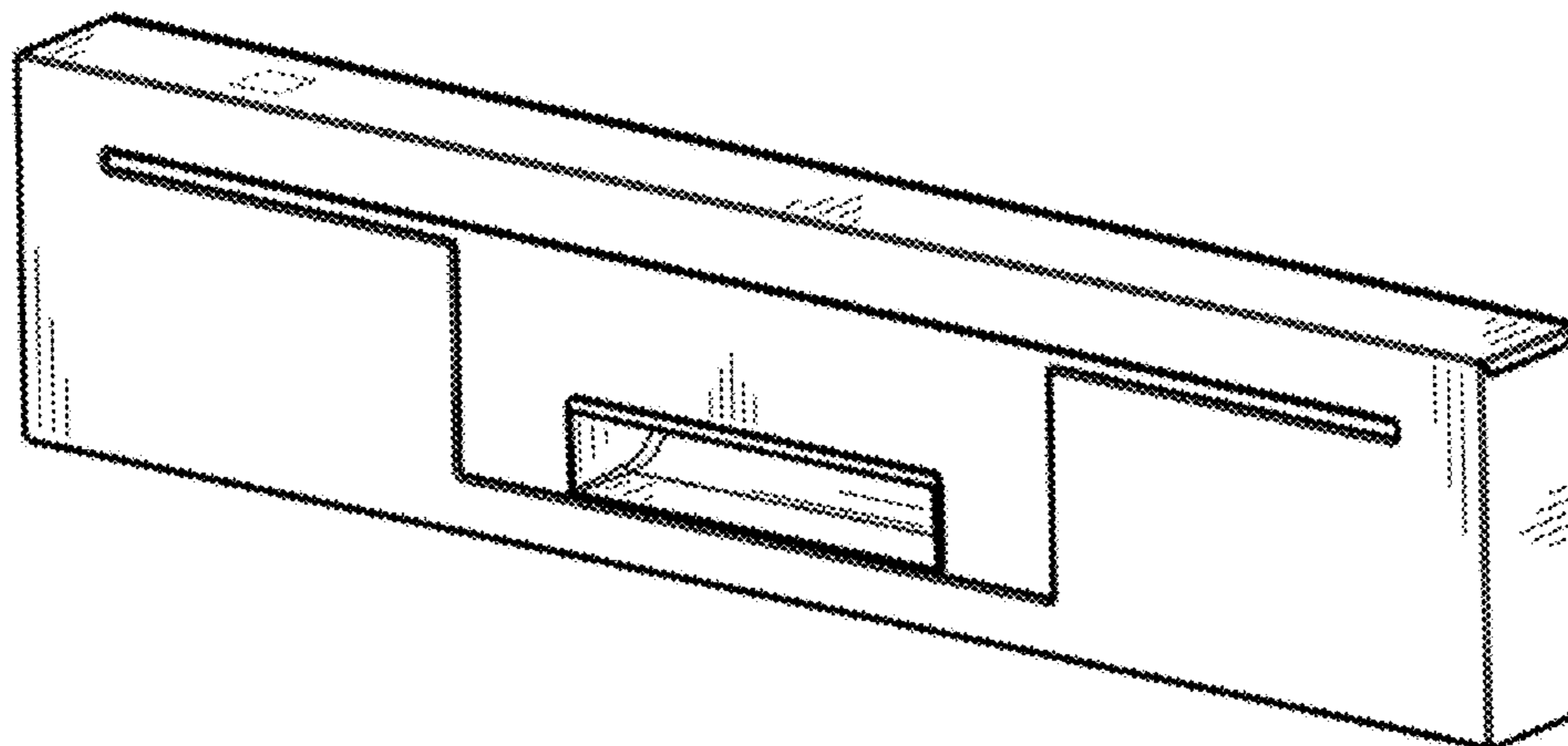
(57) **CLAIM**

The ornamental design for a dishwasher panel, as shown and described.

**DESCRIPTION**

FIG. 1 is a perspective view of a dishwasher panel showing my new design; and, FIG. 2 is a front view thereof. The broken line showing of the rectangle on the top surface and the region therein is for environmental purposes only and forms no part of the claimed design.

**1 Claim, 2 Drawing Sheets**



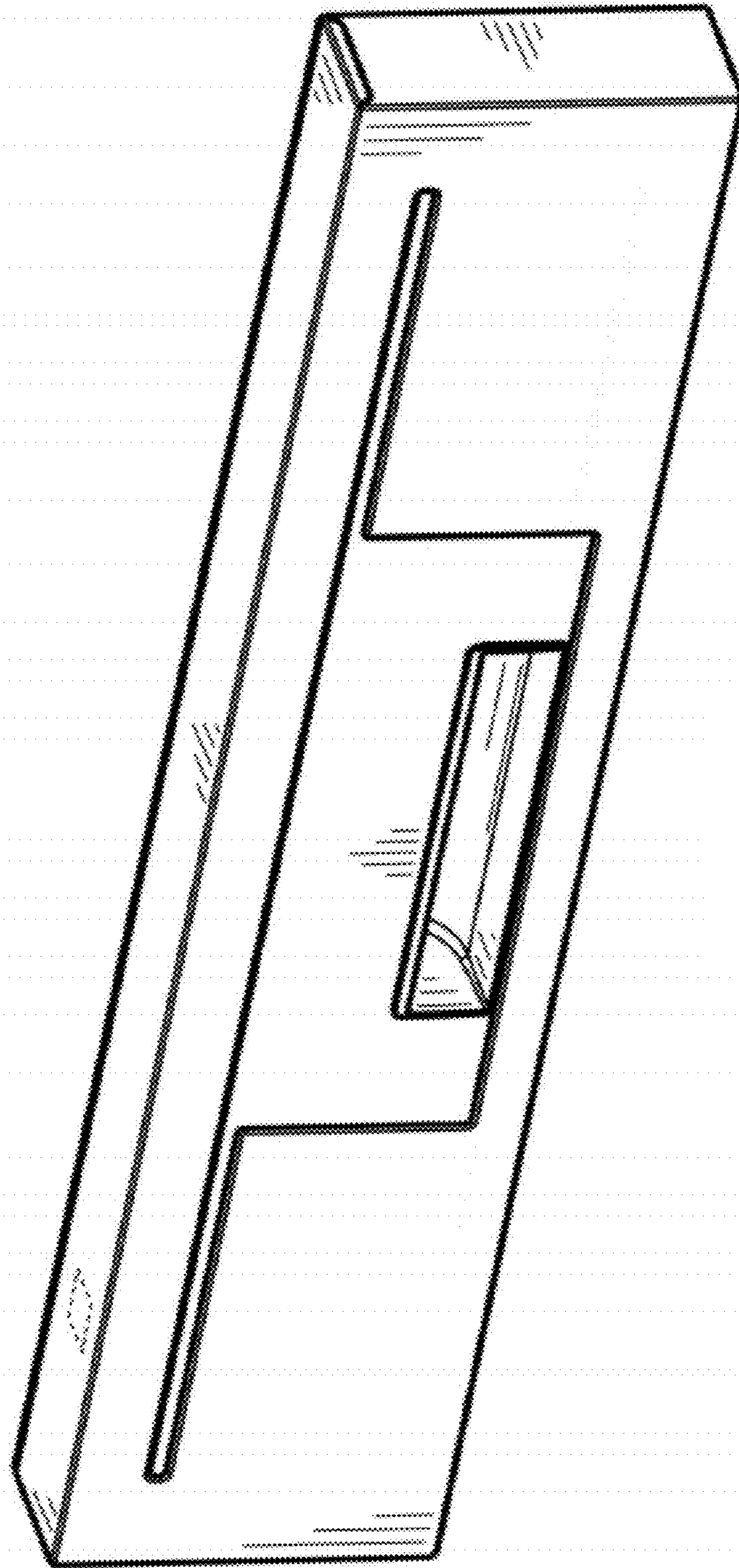


FIG. 1

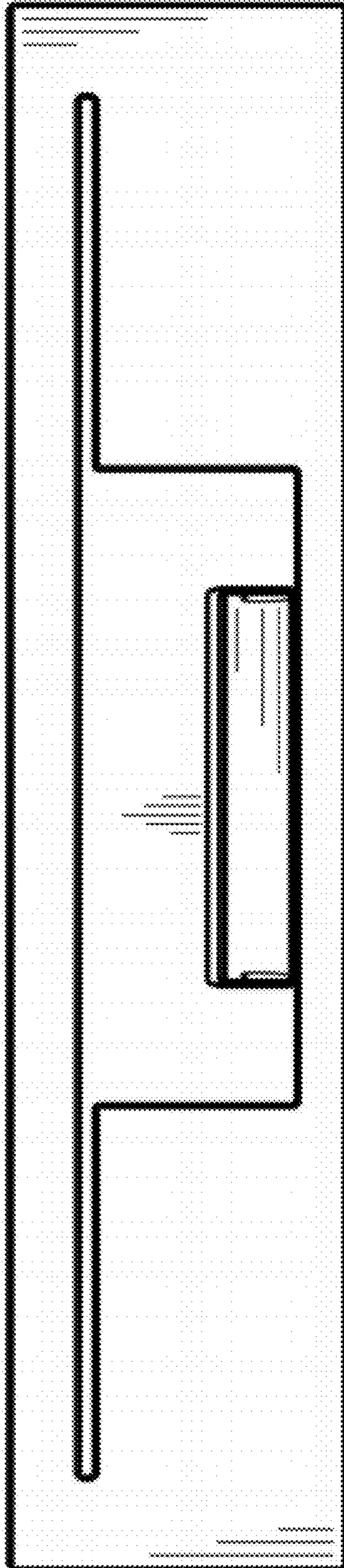


FIG. 2