



US00D665541S

(12) **United States Design Patent**
Shamoon

(10) **Patent No.:** **US D665,541 S**

(45) **Date of Patent:** **** Aug. 14, 2012**

(54) **COLLAPSIBLE PET FEEDER**

(76) Inventor: **Ellis N. Shamoon**, Dallas, TX (US)

(**) Term: **14 Years**

(21) Appl. No.: **29/387,646**

(22) Filed: **Mar. 16, 2011**

(51) **LOC (9) Cl.** **30-03**

(52) **U.S. Cl.** **D30/133; D30/121; D30/129;**
D30/132

(58) **Field of Classification Search** D30/133,
D30/121, 128, 130, 132; 119/52.1, 55, 61.5–61.56;
D6/480–485; 248/188; 312/204; 108/153.1–157
See application file for complete search history.

(56) **References Cited**

U.S. PATENT DOCUMENTS

779,924	A *	1/1905	Gommel	47/41.01
1,342,807	A *	6/1920	Harrington	220/4.12
1,779,867	A *	10/1930	Ahrold	248/146
2,061,957	A *	11/1936	Brown	312/228
D132,421	S *	5/1942	Krapp	D30/133
2,366,584	A *	1/1945	Woodward	119/72
D148,608	S *	2/1948	Bullock	D30/104
2,584,301	A *	2/1952	Sinclair	119/61.53
2,798,931	A *	7/1957	Naxon	219/433
D188,614	S *	8/1960	Niclaus	D7/532
D192,550	S *	4/1962	Wright	D7/366
D200,626	S *	3/1965	Barnes	D30/129
3,259,106	A *	7/1966	Ray et al.	119/51.03
3,285,459	A *	11/1966	Gahm	220/8
D230,034	S *	1/1974	Goldman	D30/129
D231,887	S *	6/1974	Kephart	D6/484
3,995,595	A *	12/1976	Williams	119/61.53
D257,068	S *	9/1980	Imhoff	D30/129
D257,494	S *	11/1980	Imhoff	D30/129
4,257,353	A *	3/1981	Imhoff	119/61.56
D260,043	S *	7/1981	Robinson	D30/129
4,377,191	A *	3/1983	Yamaguchi	220/665
4,658,759	A *	4/1987	Brown	119/61.5

D289,807	S *	5/1987	Russell	D30/129
4,899,967	A *	2/1990	Johnson	248/97
D326,168	S *	5/1992	Smith	D30/129
5,125,364	A *	6/1992	Sagucio	119/61.53
5,347,979	A *	9/1994	Haber	126/43
5,423,452	A *	6/1995	Tardif	220/574
D363,255	S *	10/1995	Helms et al.	D11/164
D373,050	S *	8/1996	Brewer et al.	D7/505
D378,149	S *	2/1997	Mann	D30/133
D405,290	S *	2/1999	Hollinger	D6/403
D406,925	S *	3/1999	Sharon	D30/129
D410,781	S *	6/1999	Sharon	D30/129
D412,605	S *	8/1999	Sharon	D30/129
D446,361	S *	8/2001	Elliott	D30/129
D451,709	S *	12/2001	Heithecker	D6/472
D463,215	S *	9/2002	Huang et al.	D7/409
D477,691	S *	7/2003	Crowley	D30/131

(Continued)

OTHER PUBLICATIONS

Dexas Collapsible Colander, pp. 1 and 2, Jan. 2007.

Primary Examiner — Susan Moon Lee

(74) *Attorney, Agent, or Firm* — Daniel V. Thompson

(57) **CLAIM**

The ornamental design for a collapsible pet feeder, as shown and described.

DESCRIPTION

FIG. 1 is a front-facing perspective view of the collapsible pet feeder showing my new design;

FIG. 2 is a top plan view thereof;

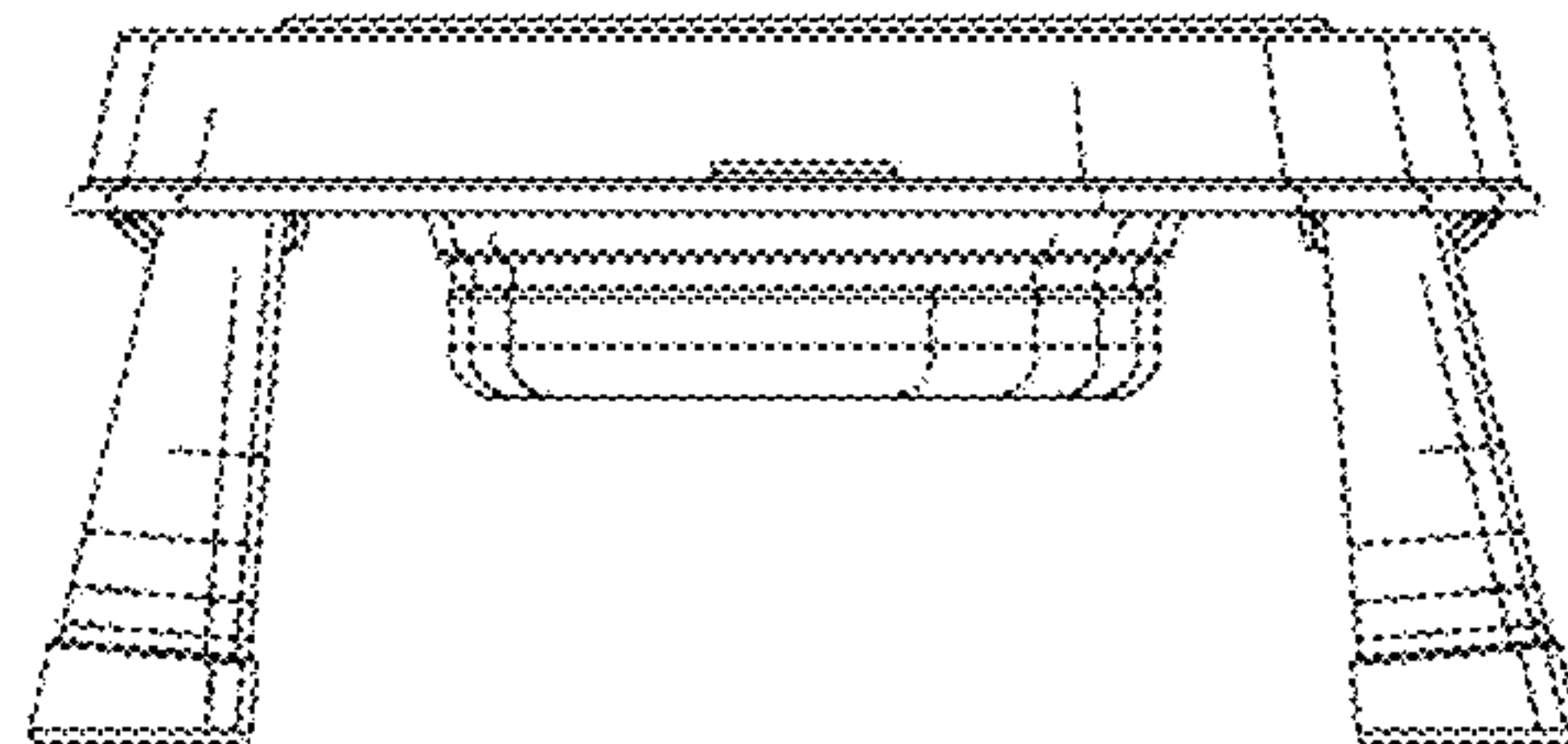
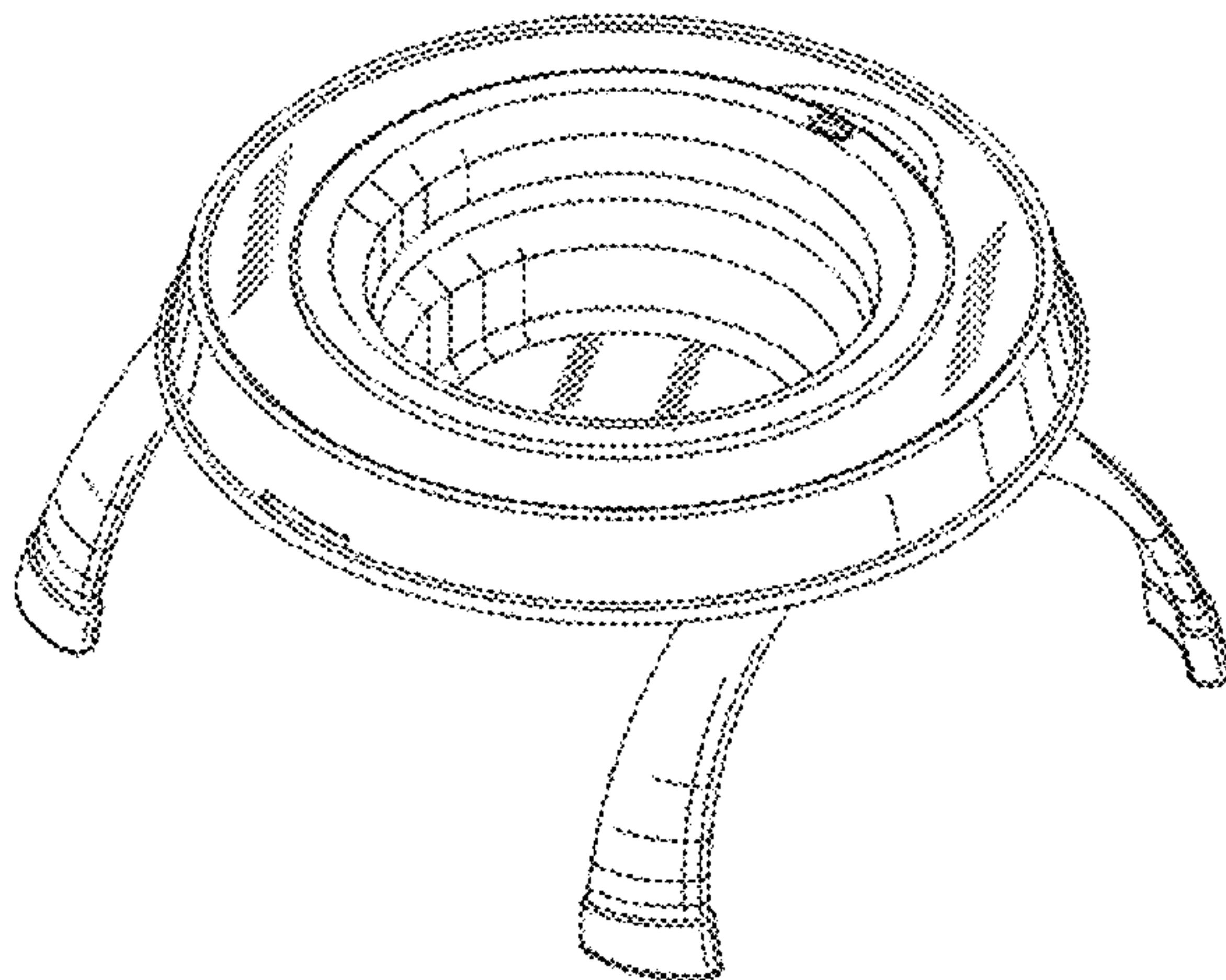
FIG. 3 is a bottom plan view thereof;

FIG. 4 is a left-side elevational view thereof; and,

FIG. 5 is a front-side elevational view thereof.

The collapsible pet feeder of the present invention is symmetrical so that the front and rear views are identical as are both side views.

1 Claim, 4 Drawing Sheets



US D665,541 S

Page 2

U.S. PATENT DOCUMENTS

D483,225	S	*	12/2003	Gain	D7/512
D494,325	S	*	8/2004	Paterson	D30/121
D510,295	S	*	10/2005	Lehman et al.	D11/164
7,048,317	B2	*	5/2006	Netsch	294/180
D522,809	S	*	6/2006	Kusuma et al.	D7/602
D526,541	S	*	8/2006	Repp et al.	D7/667
D529,838	S	*	10/2006	Boling	D11/164
D550,036	S	*	9/2007	Holcomb et al.	D7/512
D551,400	S		9/2007	Tsengas		
D562,159	S	*	2/2008	Griffith et al.	D10/46.2
D571,614	S	*	6/2008	Curtin	D7/545
D577,466	S		9/2008	Shamoon		
D582,101	S	*	12/2008	Shamoon	D30/129
D584,967	S	*	1/2009	Shamoon	D10/46.2
D618,862	S	*	6/2010	Shamoon et al.	D30/133
D625,885	S	*	10/2010	Bianchi	D30/129
8,006,433	B1	*	8/2011	Bryanton	47/45
D645,705	S	*	9/2011	Shamoon	D7/543
D652,258	S	*	1/2012	Lee et al.	D7/543
D653,001	S	*	1/2012	Tsengas	D30/133
D653,914	S	*	2/2012	Lutz	D7/624.1
D655,054	S	*	2/2012	Lipscomb et al.	D30/129
2005/0039689	A1	*	2/2005	Mossmer	119/61.5
2005/0127073	A1	*	6/2005	Kusuma et al.	220/6
2005/0127074	A1	*	6/2005	Kusuma et al.	220/6
2006/0277994	A1	*	12/2006	Peterson	73/426
2007/0089678	A1	*	4/2007	Greenwood	119/61.5
2007/0251874	A1	*	11/2007	Stewart	210/232
2010/0275852	A1	*	11/2010	Lipscomb et al.	119/61.5

* cited by examiner

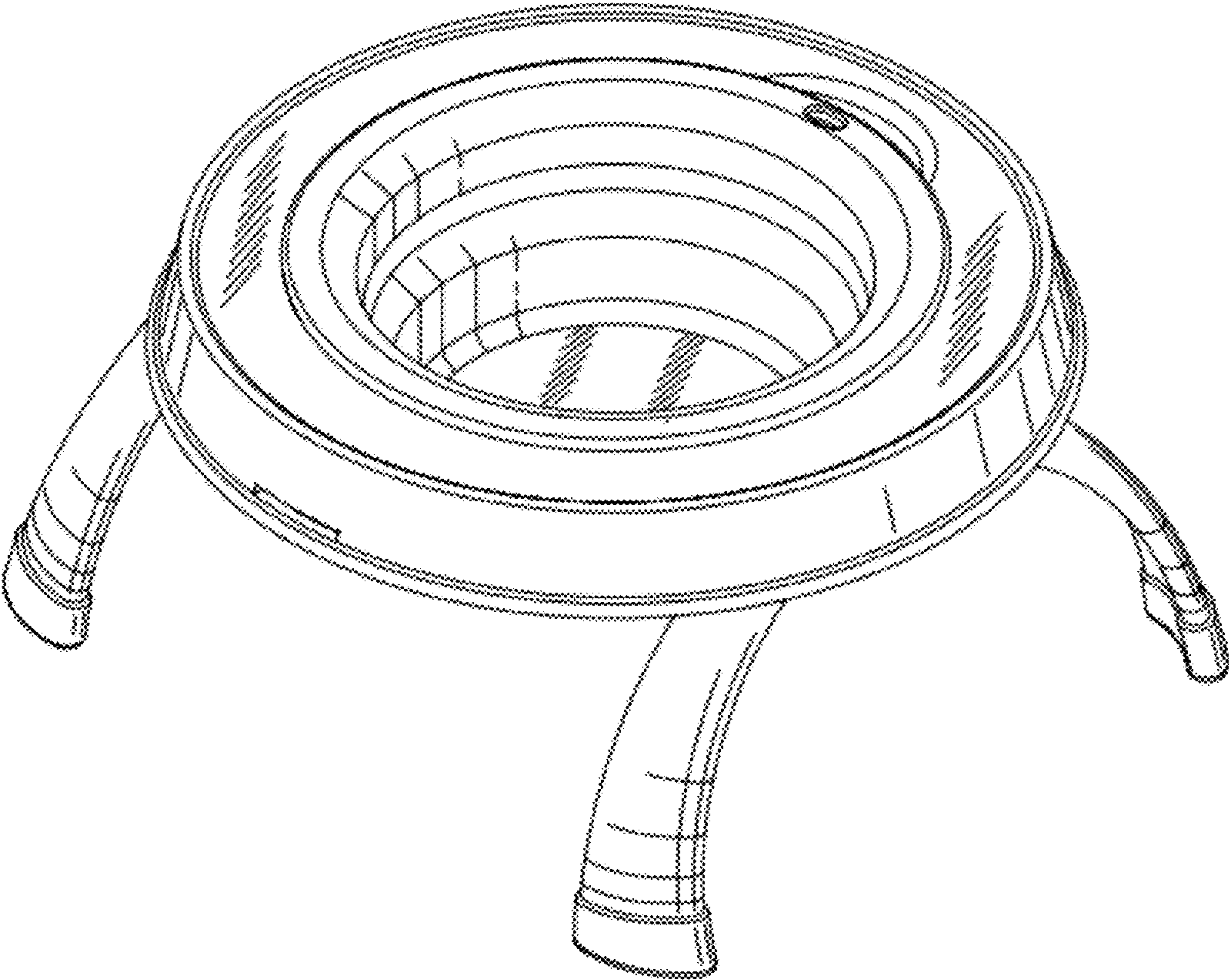


Fig. 1

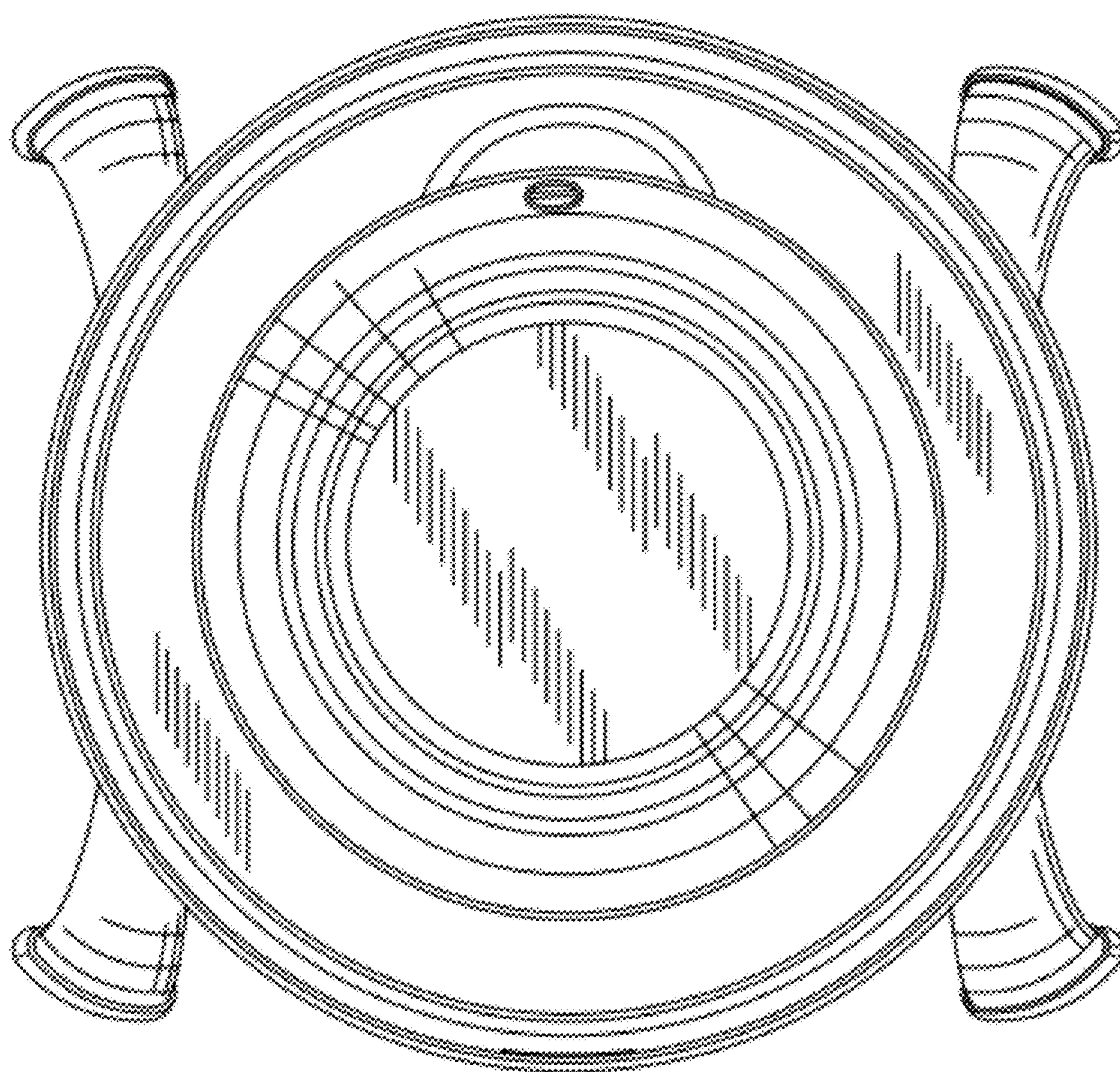


Fig. 2

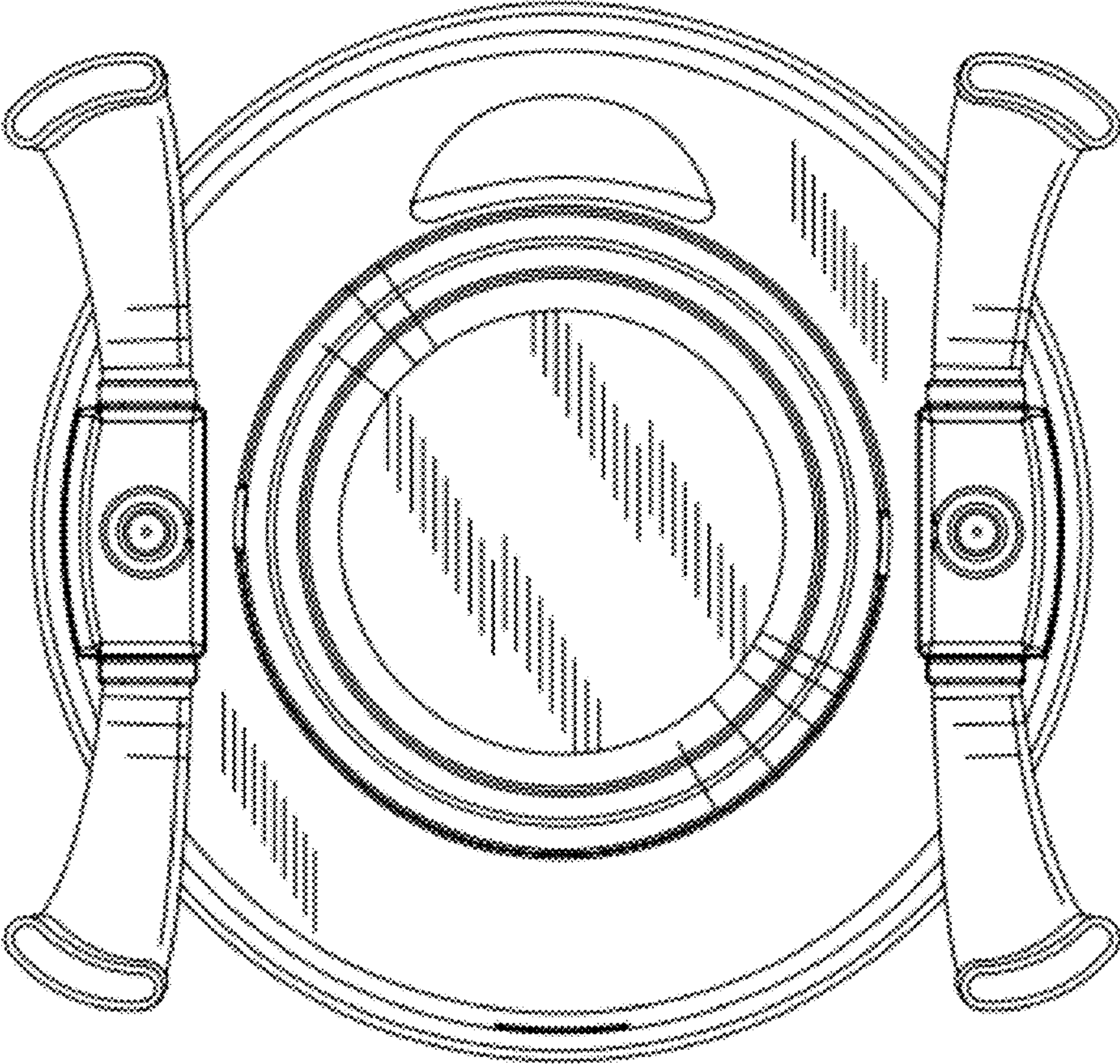


Fig. 3

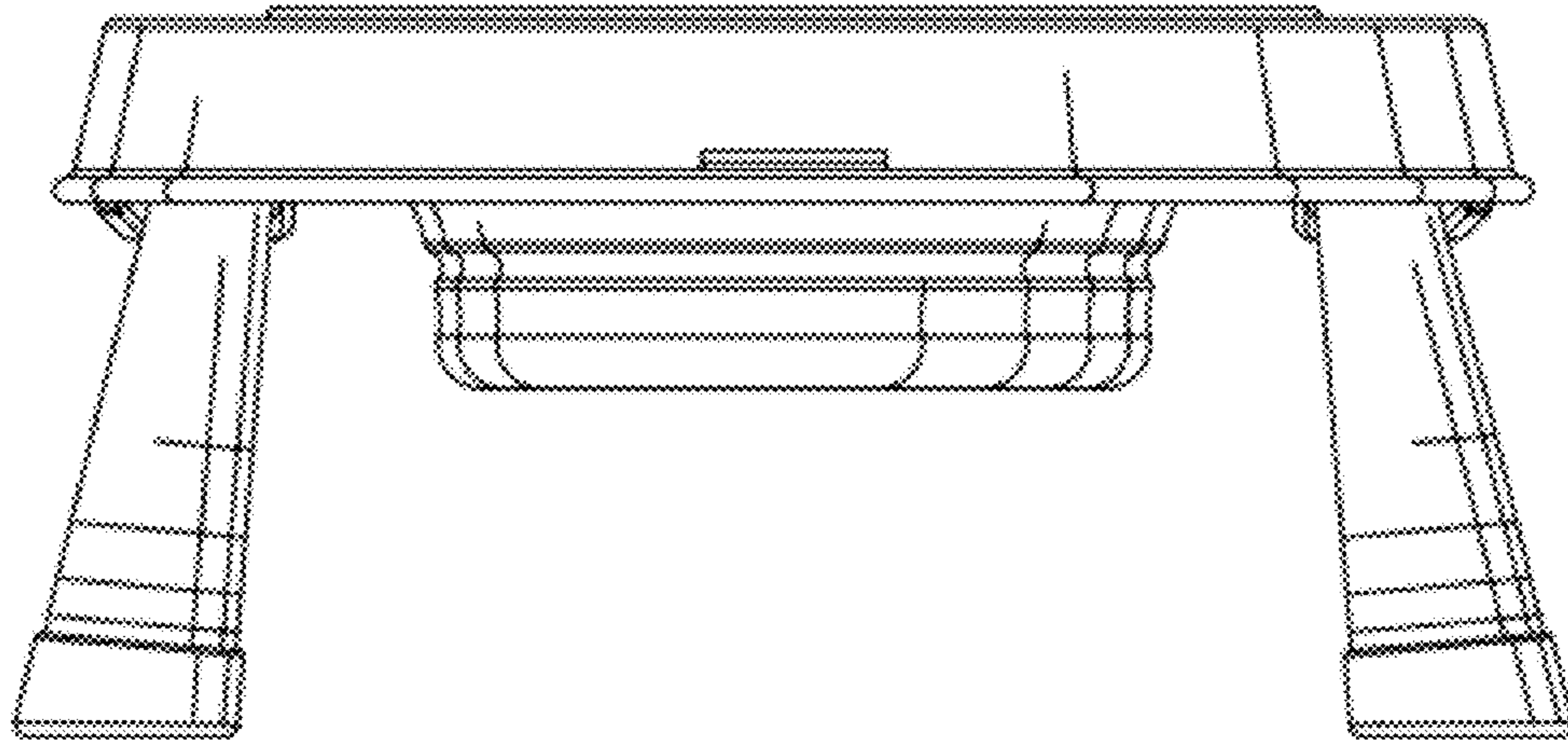


Fig. 4

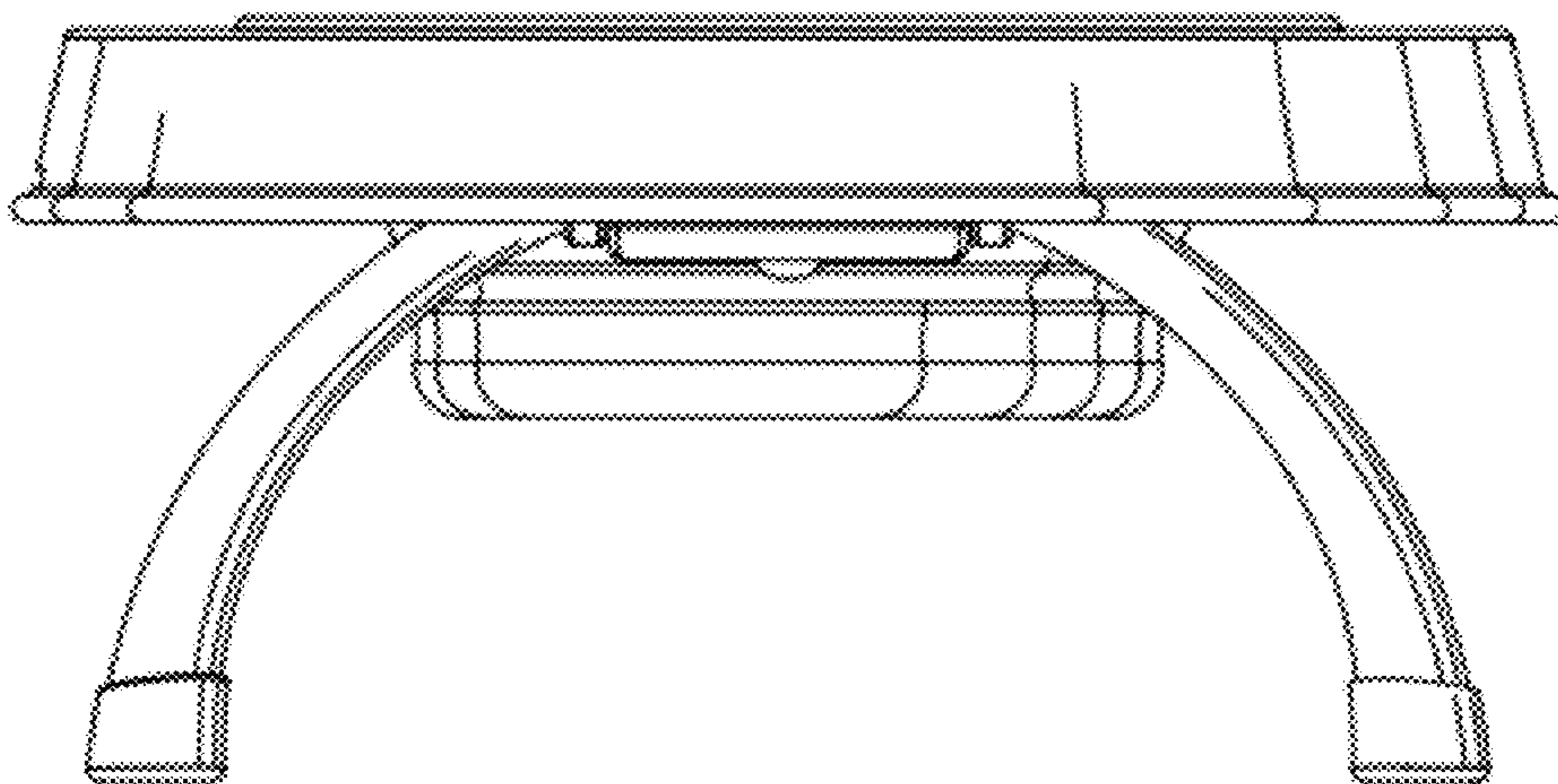


Fig. 5