



US00D665537S

(12) **United States Design Patent**  
**Gustavsson**

(10) **Patent No.:** **US D665,537 S**  
(45) **Date of Patent:** **\*\* Aug. 14, 2012**

(54) **HAND GUARD**

(76) Inventor: **Sonia Gustavsson, Johanneshov (SE)**

(\*\*) Term: **14 Years**

(21) Appl. No.: **29/393,633**

(22) Filed: **Jun. 7, 2011**

(30) **Foreign Application Priority Data**

Dec. 10, 2010 (EM) ..... 001249148-0001

(51) **LOC (9) Cl.** ..... **29-02**

(52) **U.S. Cl.** ..... **D29/113**

(58) **Field of Classification Search** ..... D2/610,  
D2/614, 623; D9/434, 455; D21/775; D24/108,  
D24/188, 189, 190; D29/113, 114, 120.1,  
D29/123; 2/16, 170, 455, 908, 910, 917;  
16/411, 430; 128/878; 248/95; 606/120

See application file for complete search history.

(56) **References Cited**

**U.S. PATENT DOCUMENTS**

D328,187	S	*	7/1992	Saurette	.....	D9/434
D335,448	S	*	5/1993	Laferla	.....	D9/434
5,345,608	A	*	9/1994	Mergens et al.	.....	2/16
5,364,148	A	*	11/1994	Bartocci	.....	294/171
5,601,327	A	*	2/1997	Cho	.....	294/171
D467,498	S	*	12/2002	Taylor	.....	D9/434
D480,645	S	*	10/2003	Putnam	.....	D9/455
D528,413	S	*	9/2006	Baum	.....	D9/434
7,384,402	B2	*	6/2008	Wong et al.	.....	600/583
2012/0010529	A1	*	1/2012	Chickering et al.	.....	600/576

**FOREIGN PATENT DOCUMENTS**

SE 533733 C2 \* 12/2010

**OTHER PUBLICATIONS**

Article on Sonia Gustavsson, pictured holding claimed design (the Stickstopp), [on-line]; [posted to Internet Nov. 11, 2011]; [retrieved from the Internet Jan. 15, 2012]; URL: <http://lotidningen.se/2011/11/11/sonia-gustavsson/>. (7 pages).\*

Google translation of Swedish article, [on-line]; [on-line as early as Mar. 24, 2011]; [retrieved from the Internet Jan. 15, 2012]; URL: <http://www.sll.se/sll/templates/NormalPage.aspx?id=56829>.

Claimed design is shown in the two pictures on the right, on p. 1). (3 pages).\*

\* cited by examiner

*Primary Examiner* — Karen E Eldridge Powers

(74) *Attorney, Agent, or Firm* — Bates & Bates, LLC

(57) **CLAIM**

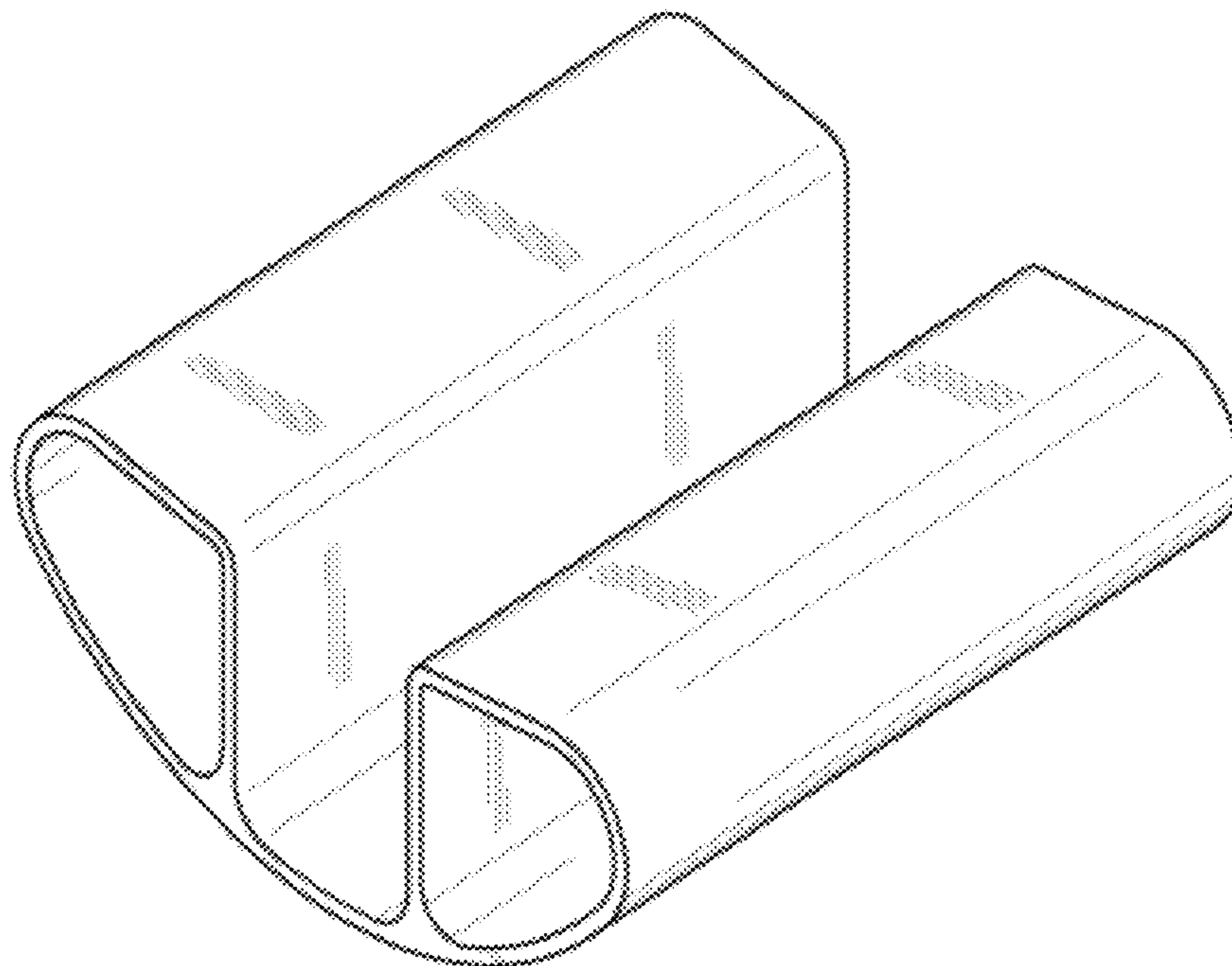
The ornamental design for a hand guard, as shown and described.

**DESCRIPTION**

FIG. 1 is a perspective view of the disclosed hand guard; FIG. 2 is a front view of the disclosed hand guard; FIG. 3 is a right side view of the disclosed hand guard; FIG. 4 is a top view of the disclosed hand guard; FIG. 5 is a bottom view of the disclosed hand guard; and, FIG. 6 is a perspective view during use of the disclosed hand guard.

The broken line showing a human hand holding the hand guard is for environmental purposes to show use of the disclosed hand guard and forms no part of the claimed design.

**1 Claim, 6 Drawing Sheets**



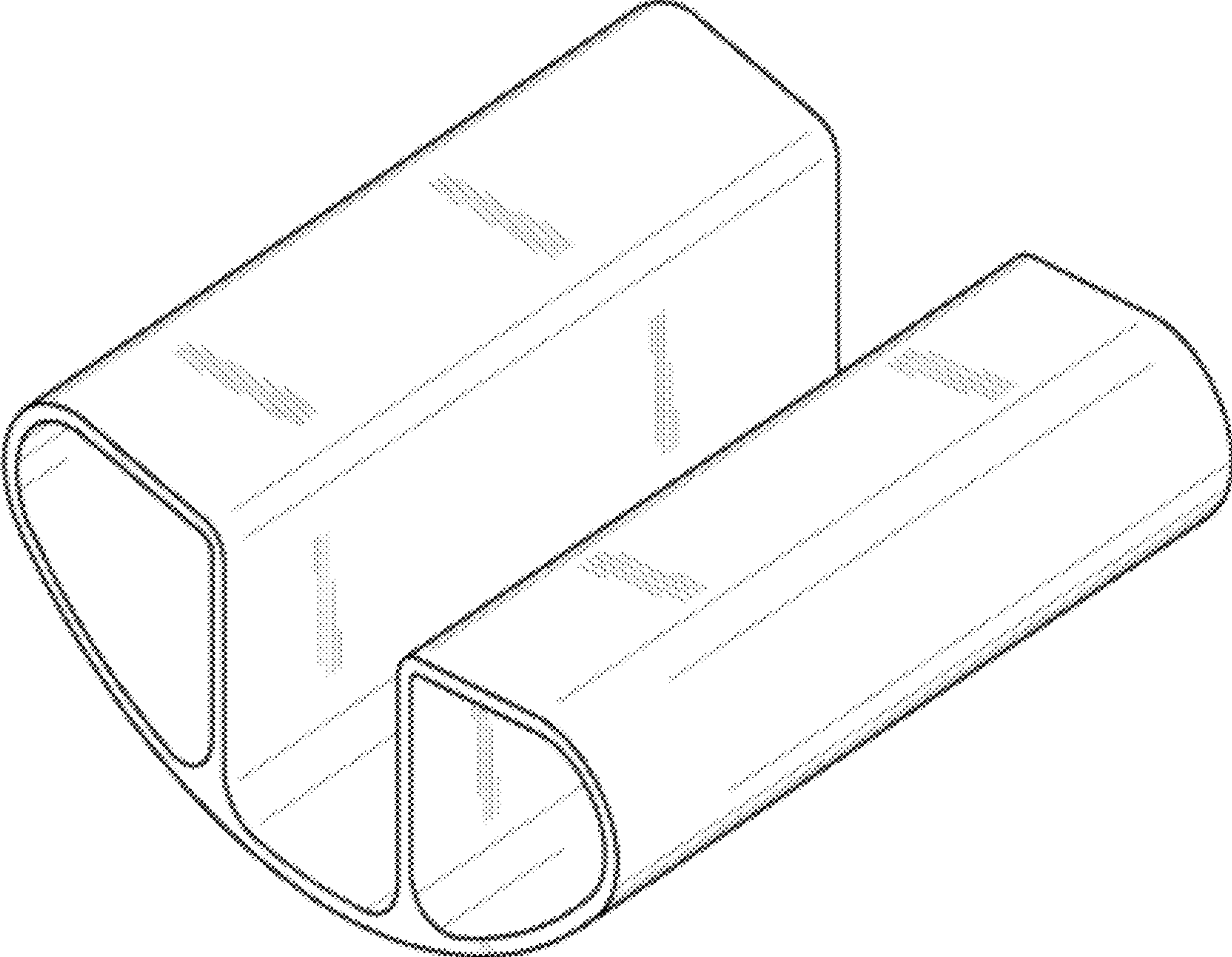


FIG. 1

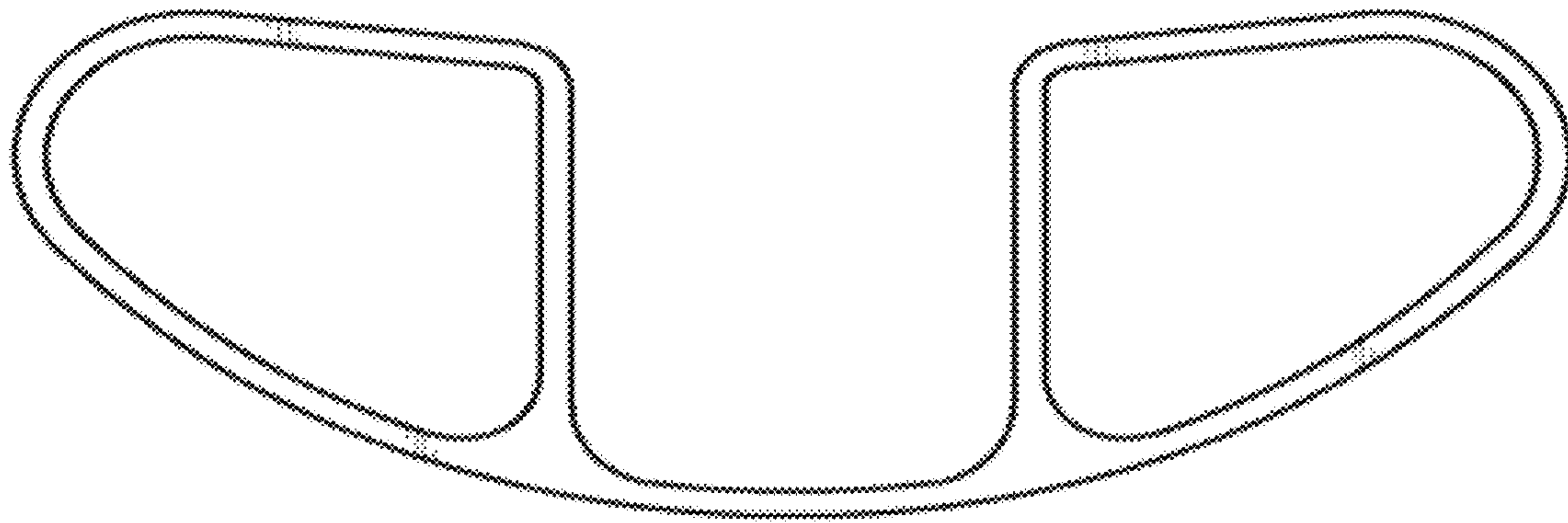


FIG. 2

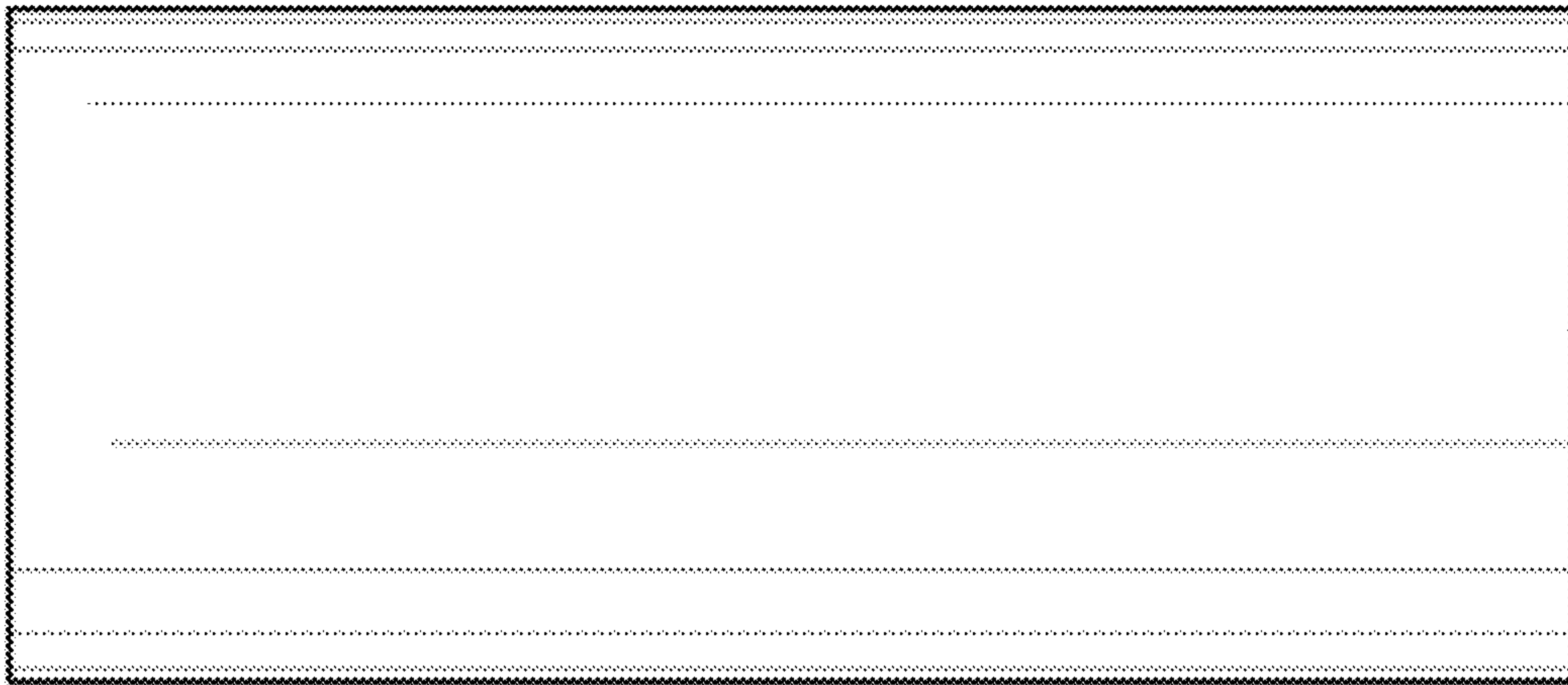


FIG. 3



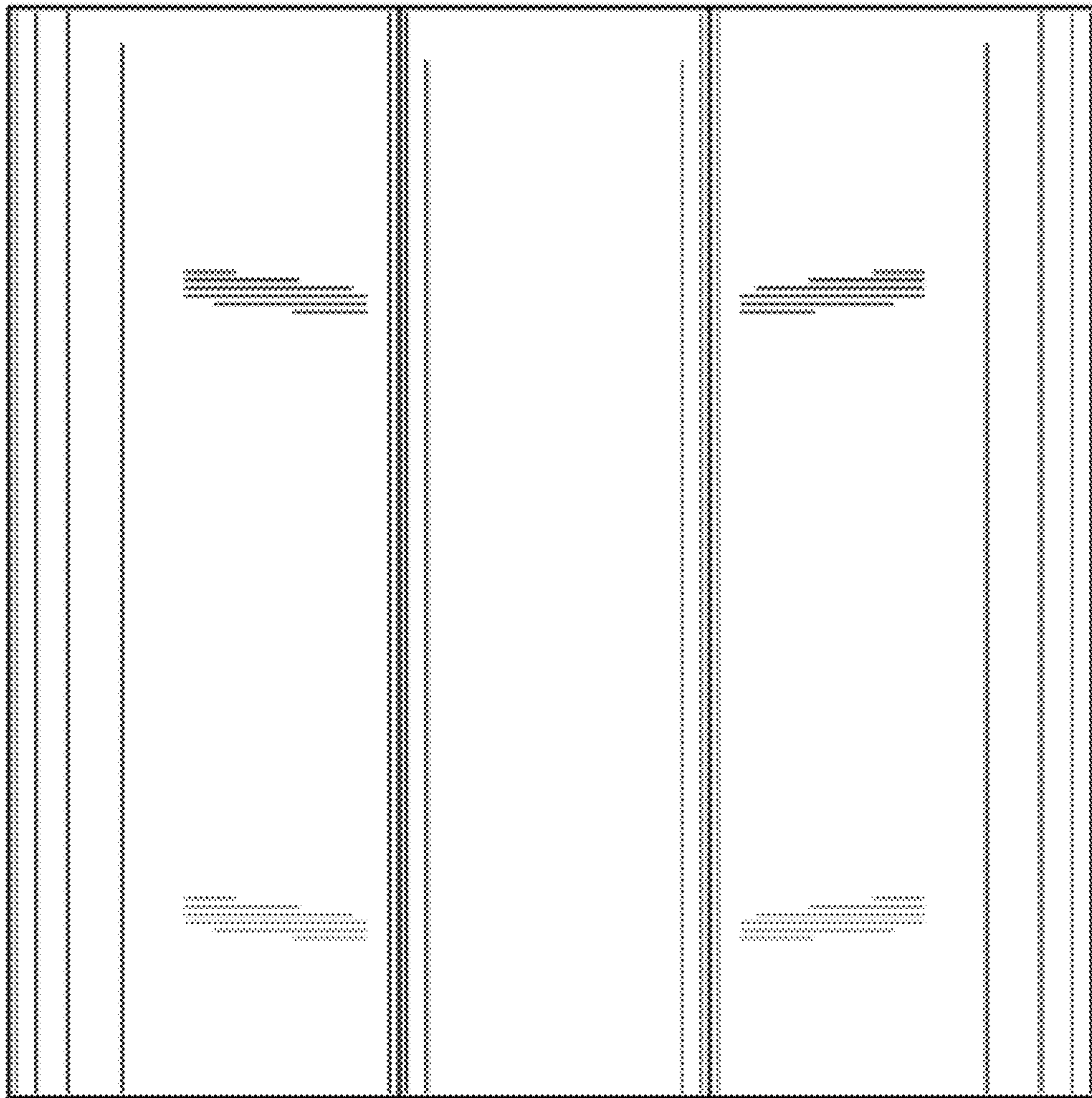


FIG. 4

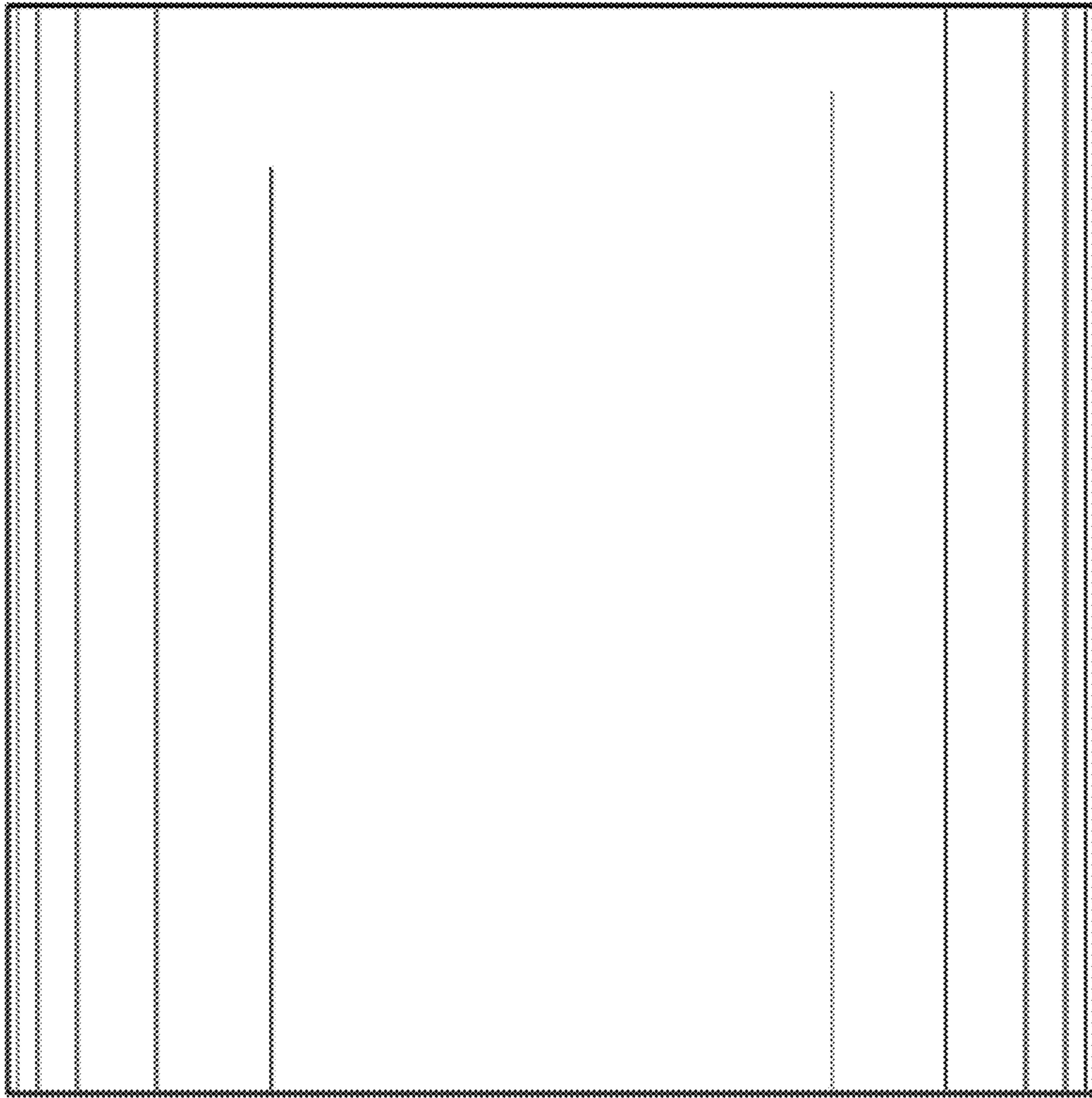


FIG. 5

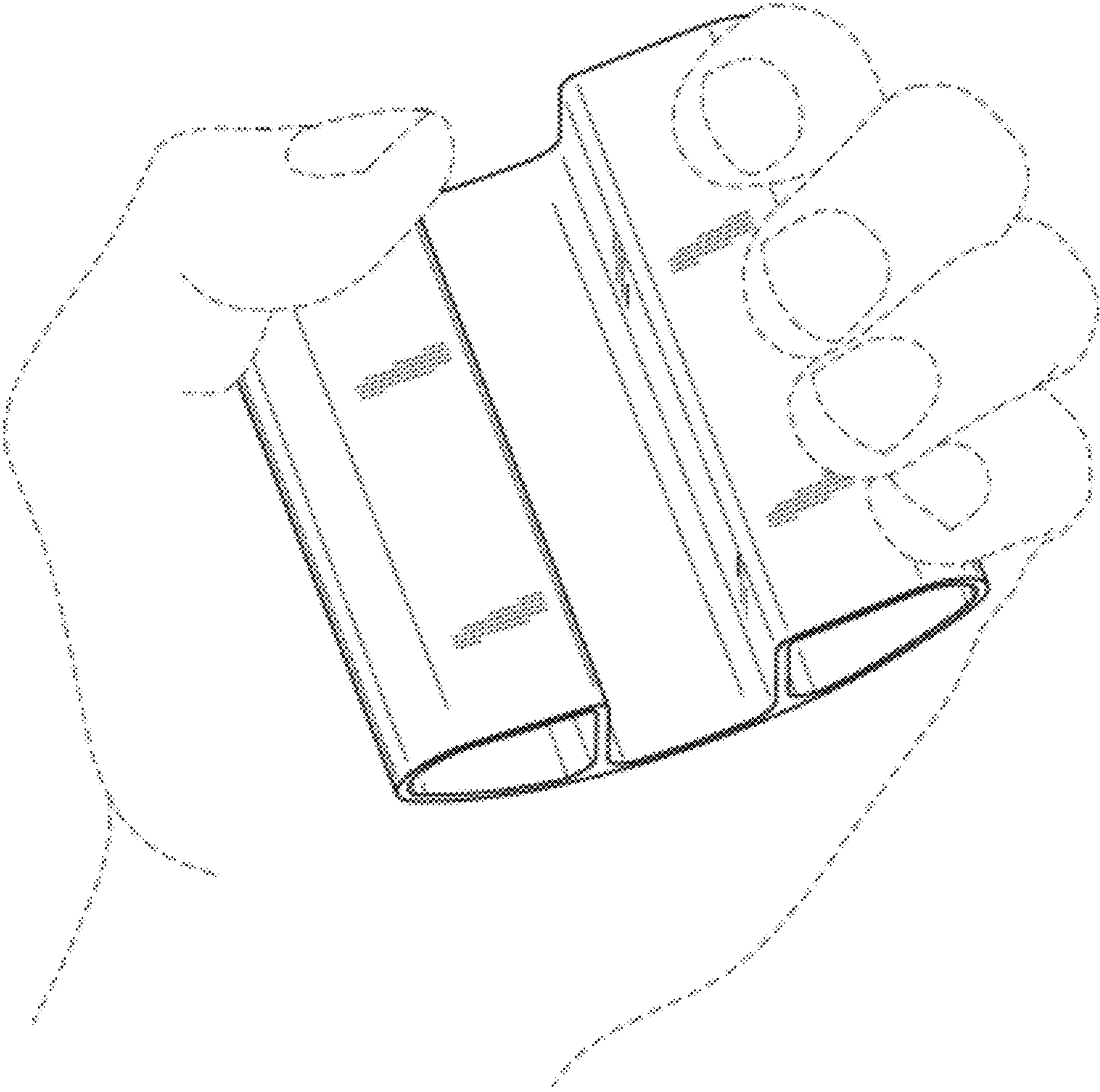


FIG. 6