



US00D665533S

(12) **United States Design Patent**
Hazard

(10) **Patent No.:** **US D665,533 S**

(45) **Date of Patent:** **** Aug. 14, 2012**

(54) **HAIR CUTTING APPARATUS**

(76) Inventor: **Terri D. Hazard**, Burbank, CA (US)

(**) Term: **14 Years**

(21) Appl. No.: **29/395,503**

(22) Filed: **Jan. 31, 2012**

(51) **LOC (9) Cl.** **28-03**

(52) **U.S. Cl.** **D28/44**

(58) **Field of Classification Search** D28/44-48;
30/32, 34.05, 34.1-34.2, 42-61, 77-84, 526-538,
30/346.5-346.61

See application file for complete search history.

(56) **References Cited**

U.S. PATENT DOCUMENTS

D407,527	S	*	3/1999	Bellisario	D28/25
6,092,288	A	*	7/2000	Adachi	30/53
D431,095	S	*	9/2000	Hyman	D28/45
D482,492	S	*	11/2003	Cheung	D28/44
D547,005	S	*	7/2007	Granito	D28/25

D612,102	S	*	3/2010	Kling et al.	D28/48
D635,301	S	*	3/2011	Cormier	D28/46
2011/0016734	A1	*	1/2011	Kludjian et al.	30/526

* cited by examiner

Primary Examiner — Jennifer Rivard

(74) *Attorney, Agent, or Firm* — Michael B. McMurry

(57) **CLAIM**

I claim the ornamental design for a hair cutting apparatus, as shown and described.

DESCRIPTION

FIG. 1 is a perspective view of a hair cutting apparatus showing my new design;

FIG. 2 is a front elevation view of the apparatus of FIG. 1;

FIG. 3 is a side view of the apparatus of FIG. 1;

FIG. 4 is a side view of the apparatus of FIG. 1;

FIG. 5 is a rear elevation view of the apparatus of FIG. 1;

FIG. 6 is a top view of the apparatus of FIG. 1; and,

FIG. 7 is a bottom view of the apparatus of FIG. 1.

1 Claim, 2 Drawing Sheets

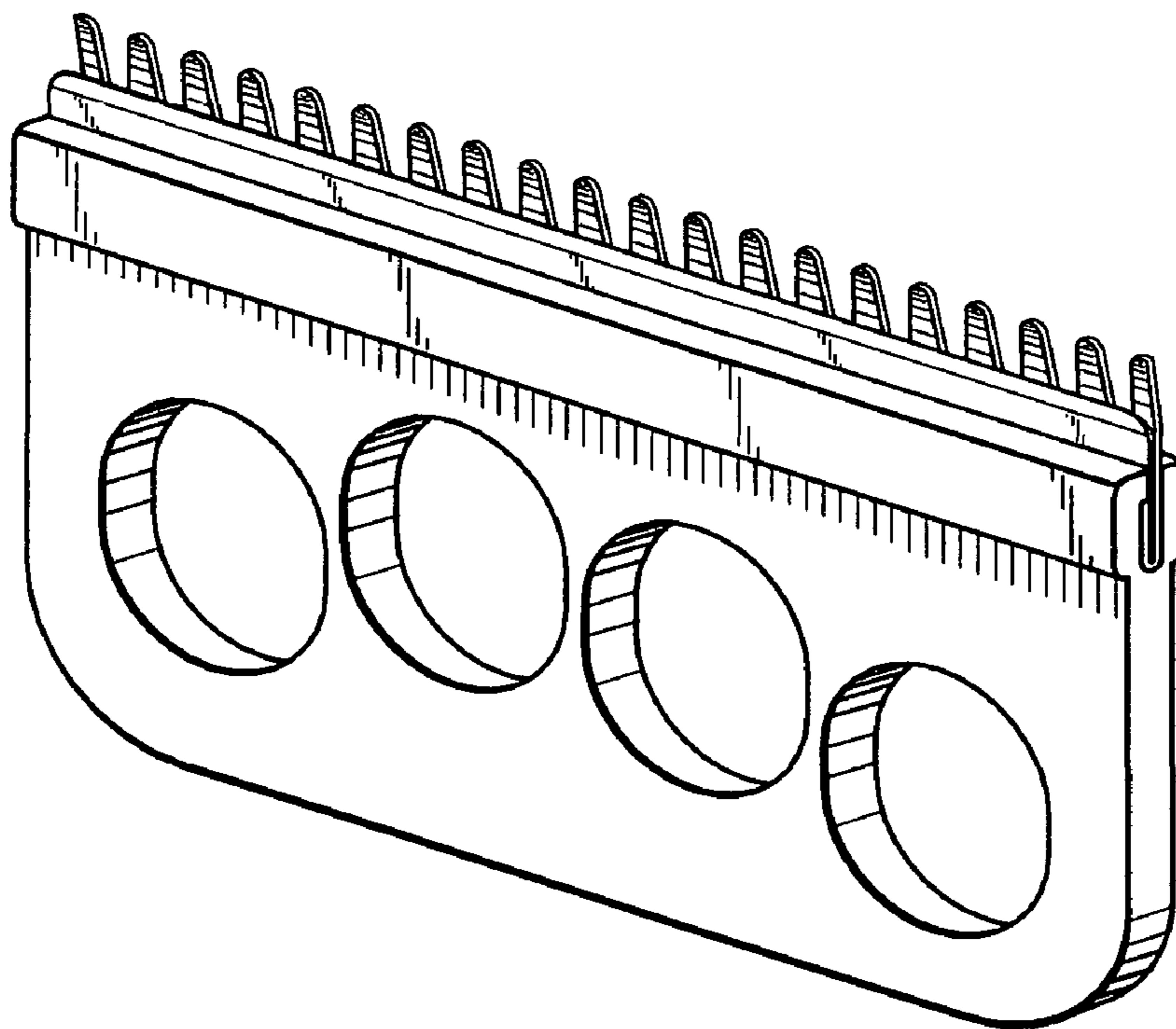


Fig. 1

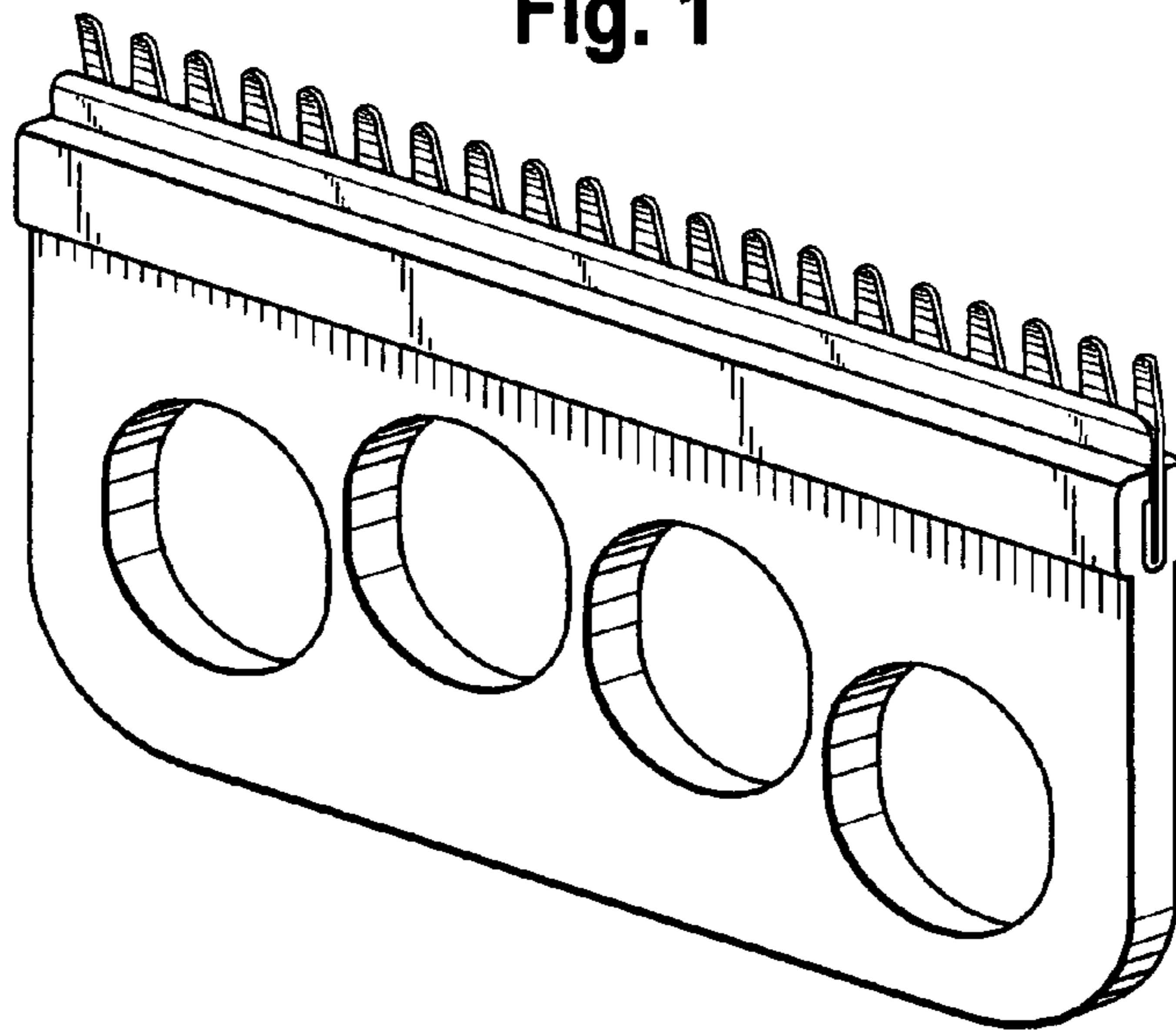


Fig. 3

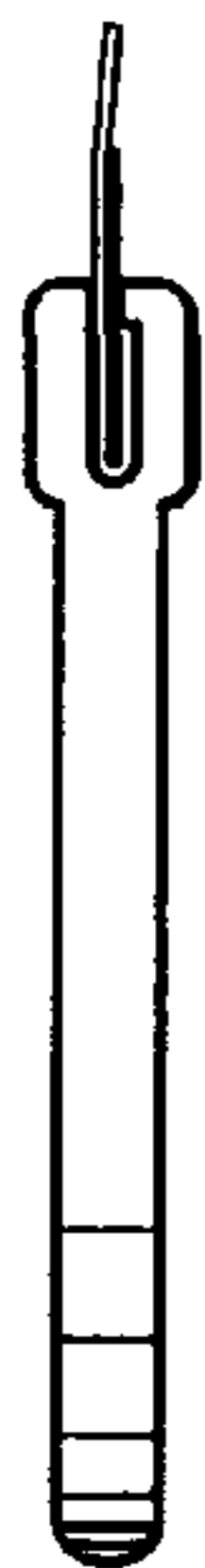


Fig. 2

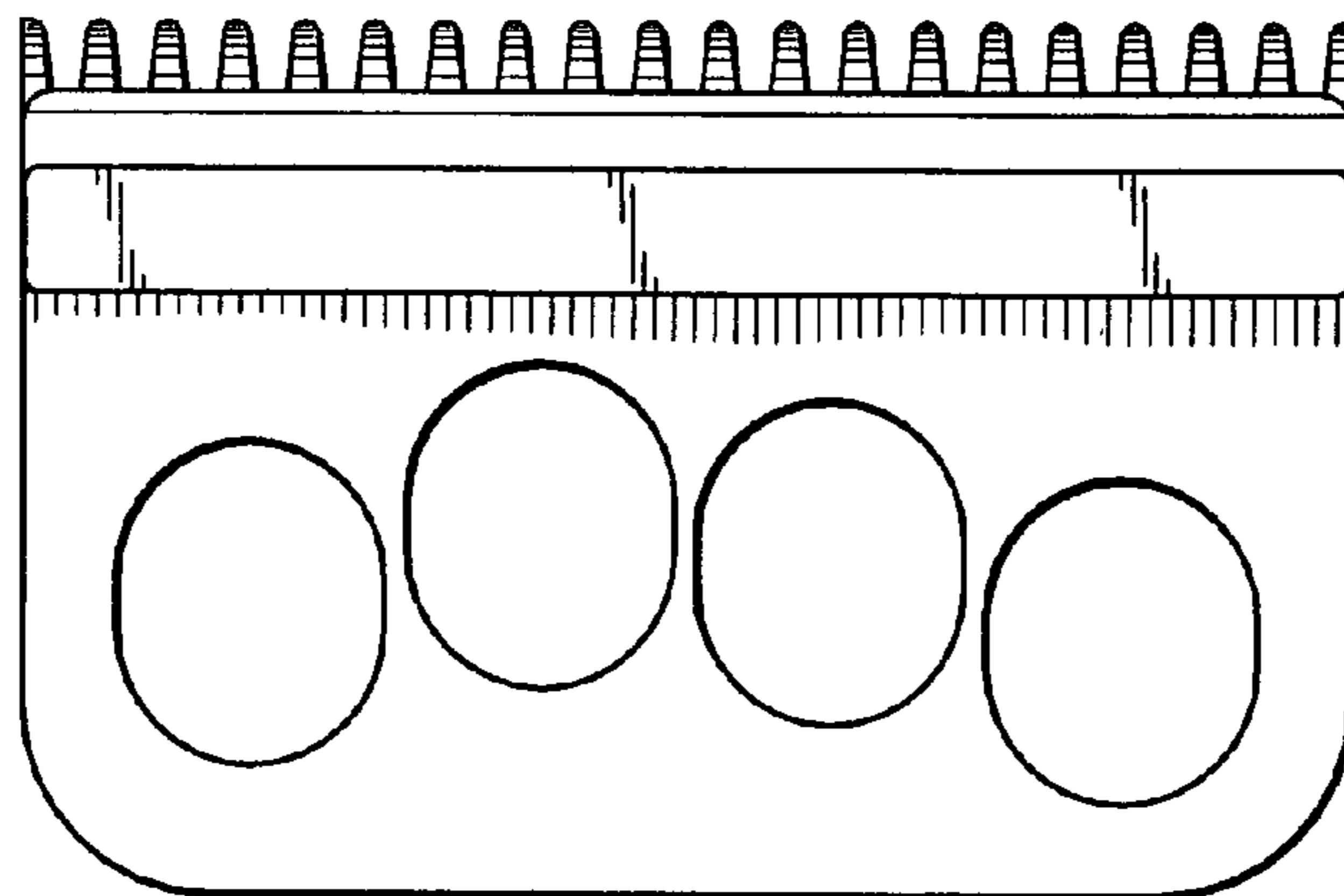


Fig. 4



Fig. 6

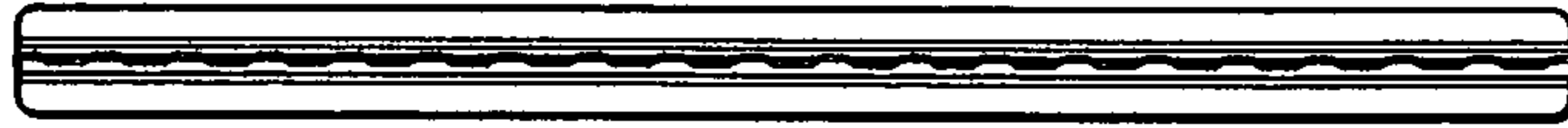


Fig. 5

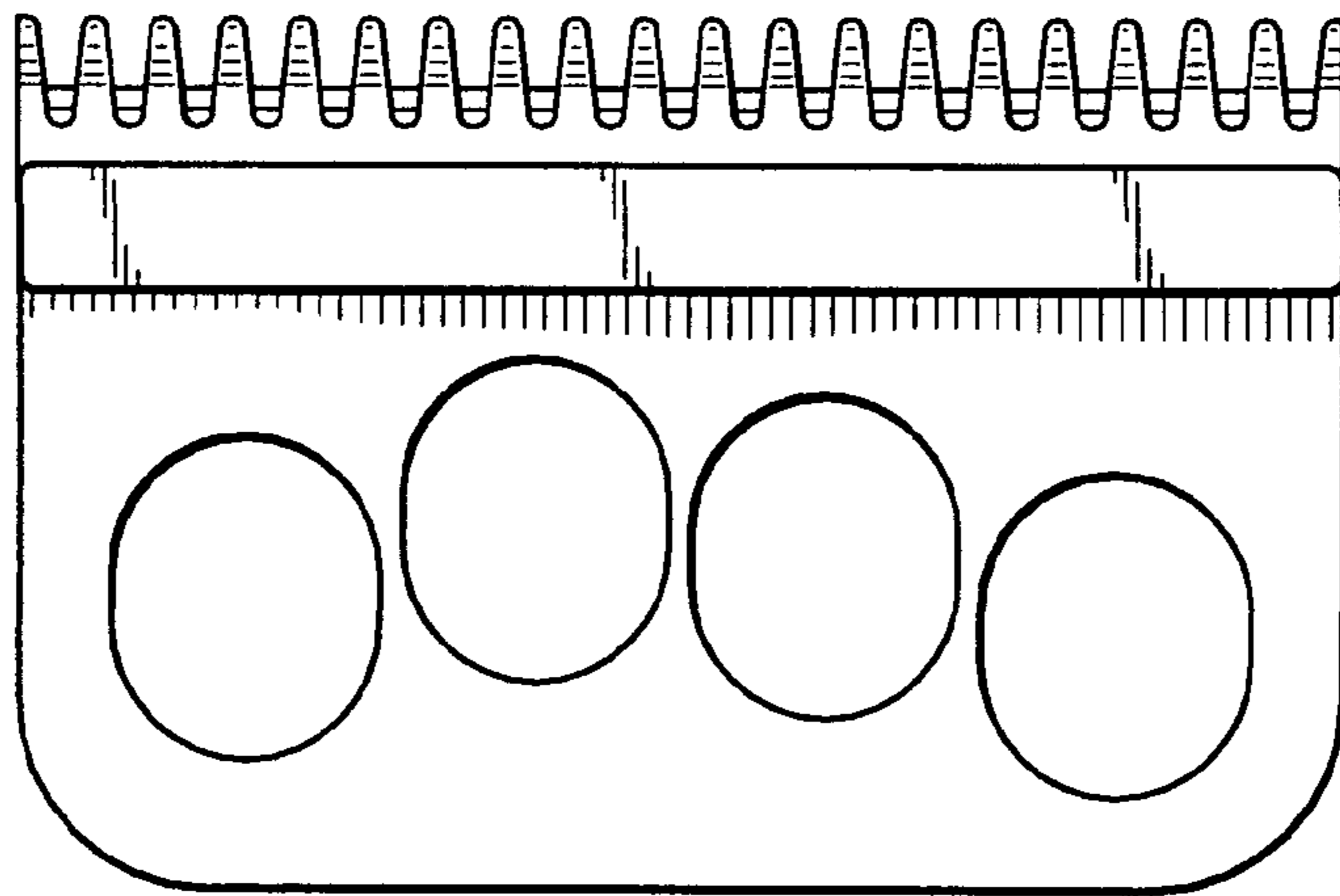


Fig. 7

