

US00D665527S

(12) **United States Design Patent**
Harger

(10) **Patent No.:** **US D665,527 S**

(45) **Date of Patent:** **** Aug. 14, 2012**

(54) **LIGHT HEAD FOR BICYCLE HEADLIGHT
OR WEARABLE HEAD LAMP**

(76) Inventor: **James Robert Harger**, Rockford, IL
(US)

(**) Term: **14 Years**

(21) Appl. No.: **29/367,171**

(22) Filed: **Aug. 4, 2010**

(51) **LOC (9) Cl.** **26-99**

(52) **U.S. Cl.** **D26/136**

(58) **Field of Classification Search** D26/136,
D26/63, 28, 60, 61, 142, 138, 141, 120, 118,
D26/88, 40, 37, 41, 42, 81, 84, 85, 113, 2,
D26/3, 123; 362/105, 475, 473, 219, 240,
362/244, 246, 294, 249.01-249.11, 179;
D13/147, 179, 180, 108, 134; 315/58; D34/27;
D9/425, 431, 756; D8/354; 40/553, 617,
40/492; D20/10, 42; D25/124; 439/22
See application file for complete search history.

(56) **References Cited**

U.S. PATENT DOCUMENTS

D121,585 S *	7/1940	Critoph	D26/63
D146,809 S *	5/1947	Robinson	D26/63
D383,236 S *	9/1997	Krogman	D26/63
D465,588 S *	11/2002	Nagano	D26/28

D475,799 S *	6/2003	Kovacik et al.	D26/65
7,168,821 B2 *	1/2007	Huang	362/103
D561,368 S *	2/2008	Opolka	D26/61
D572,385 S *	7/2008	Mazzochette et al.	D26/2
D581,555 S *	11/2008	To et al.	D26/2
D586,498 S *	2/2009	Wu et al.	D26/118
D588,290 S *	3/2009	Coushaine et al.	D26/28
D597,704 S *	8/2009	Peng	D26/118
D599,950 S *	9/2009	Sabernig	D26/136

* cited by examiner

Primary Examiner — Kevin Rudzinski

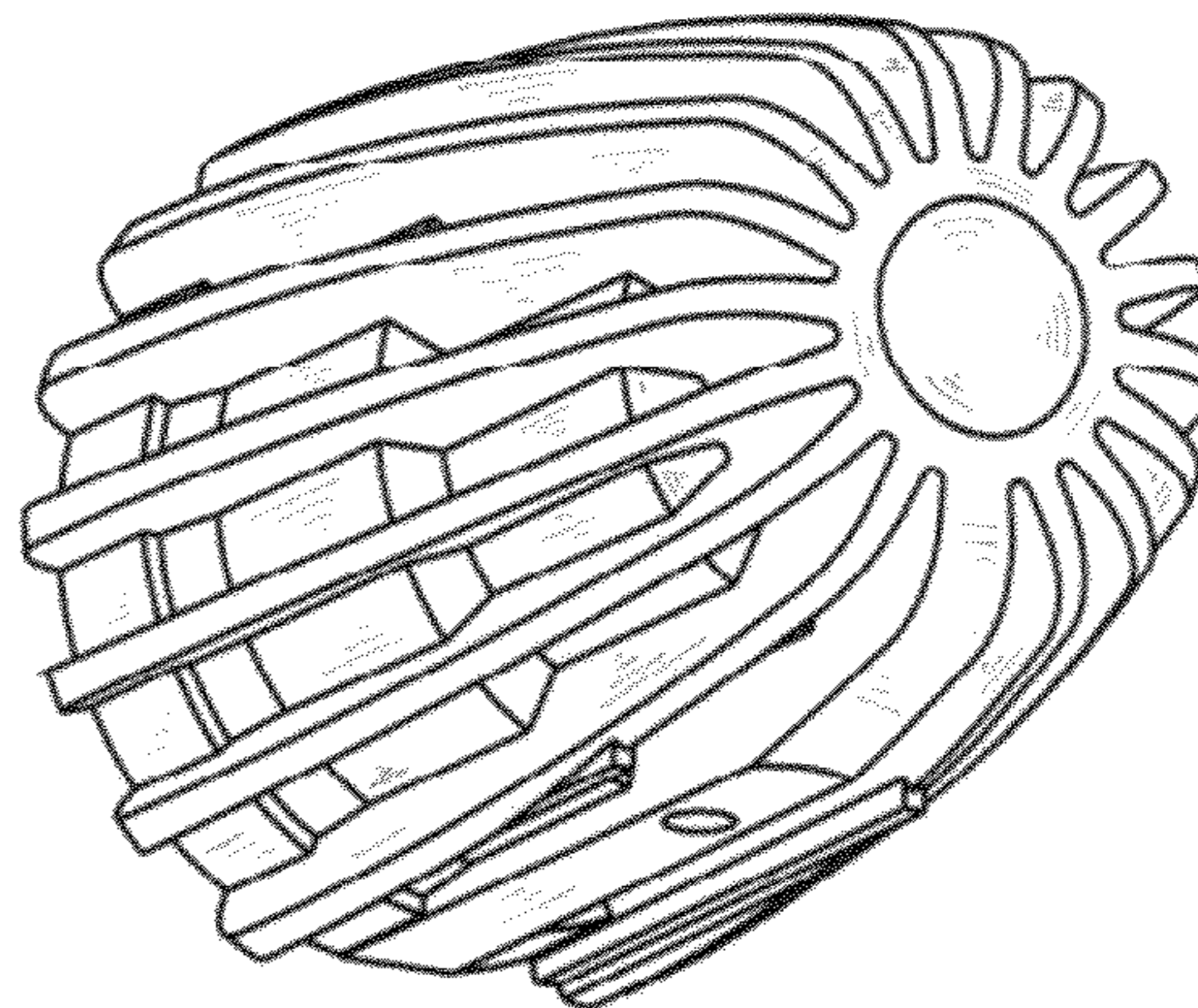
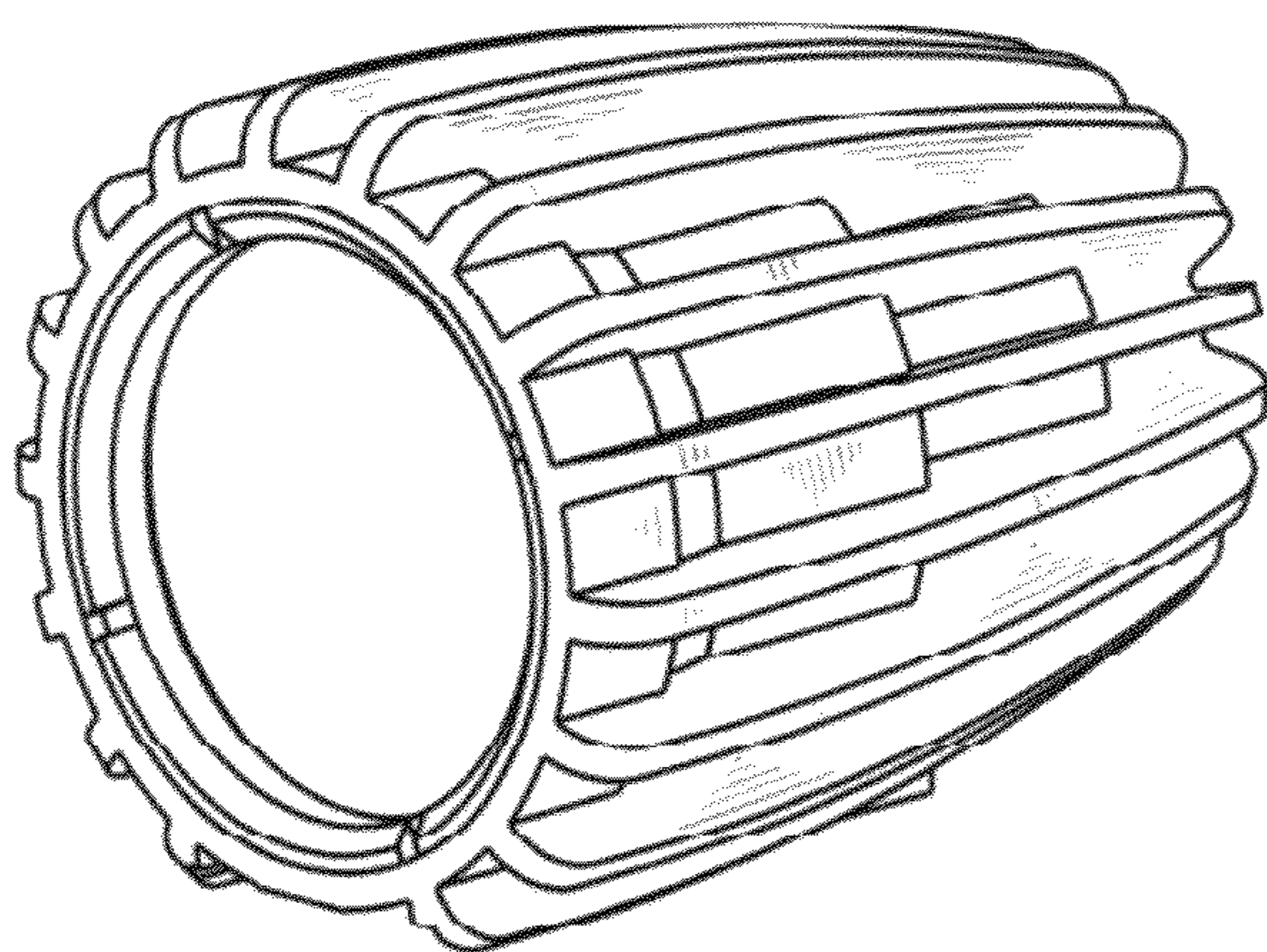
(57) **CLAIM**

The ornamental design for a light head for a bicycle headlight or wearable head lamp, as shown and described.

DESCRIPTION

FIG. 1 is a perspective view of a light head showing my new design;
FIG. 2 is a front elevational view thereof;
FIG. 3 is a side elevational view, the opposite side being a mirror image thereof;
FIG. 4 is a rear elevational view thereof;
FIG. 5 is a top view thereof;
FIG. 6 is a rear perspective view thereof;
FIG. 7 is a bottom view thereof; and,
FIG. 8 is a lower rear perspective view thereof.

1 Claim, 4 Drawing Sheets



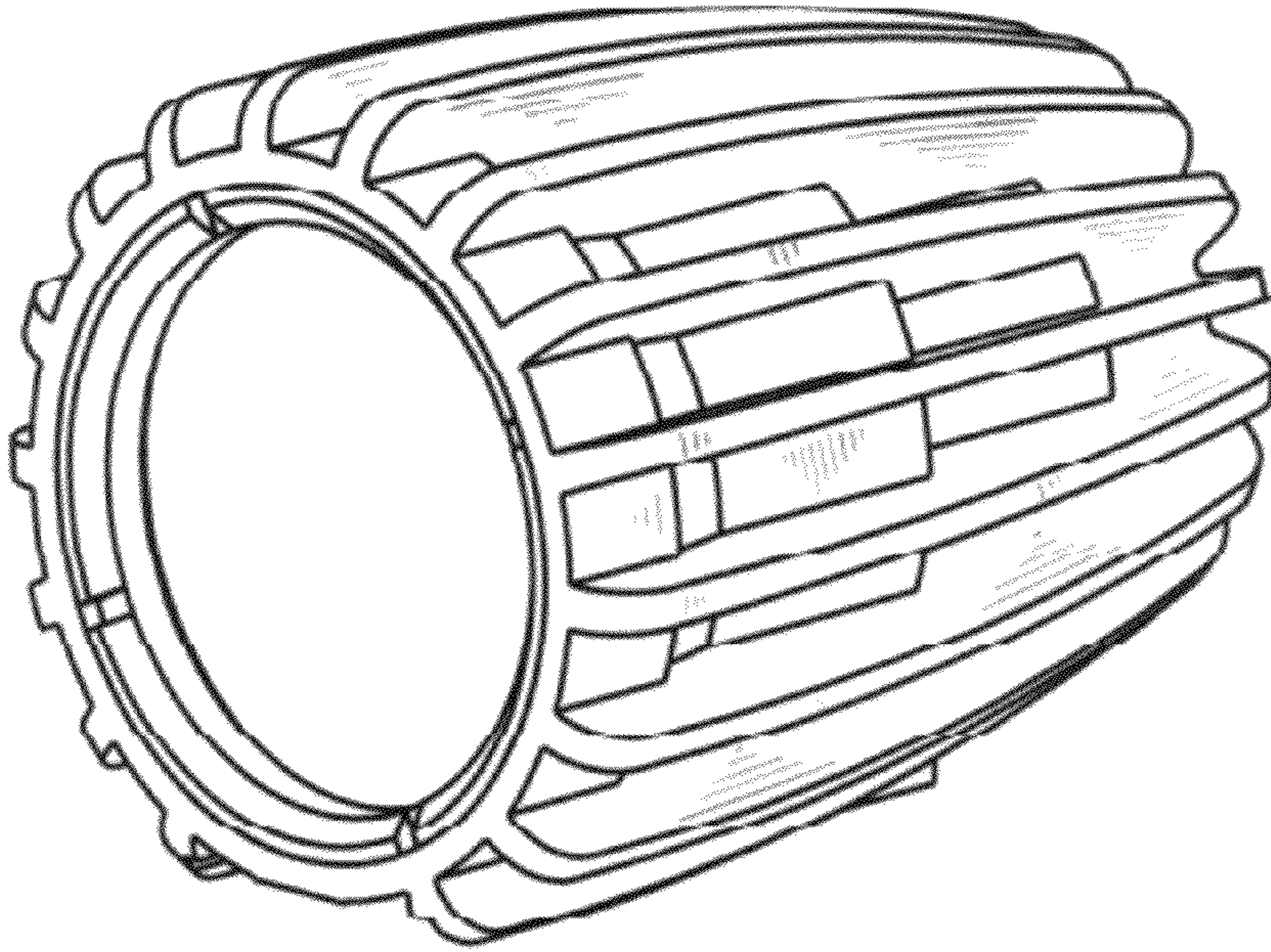


FIG. 1

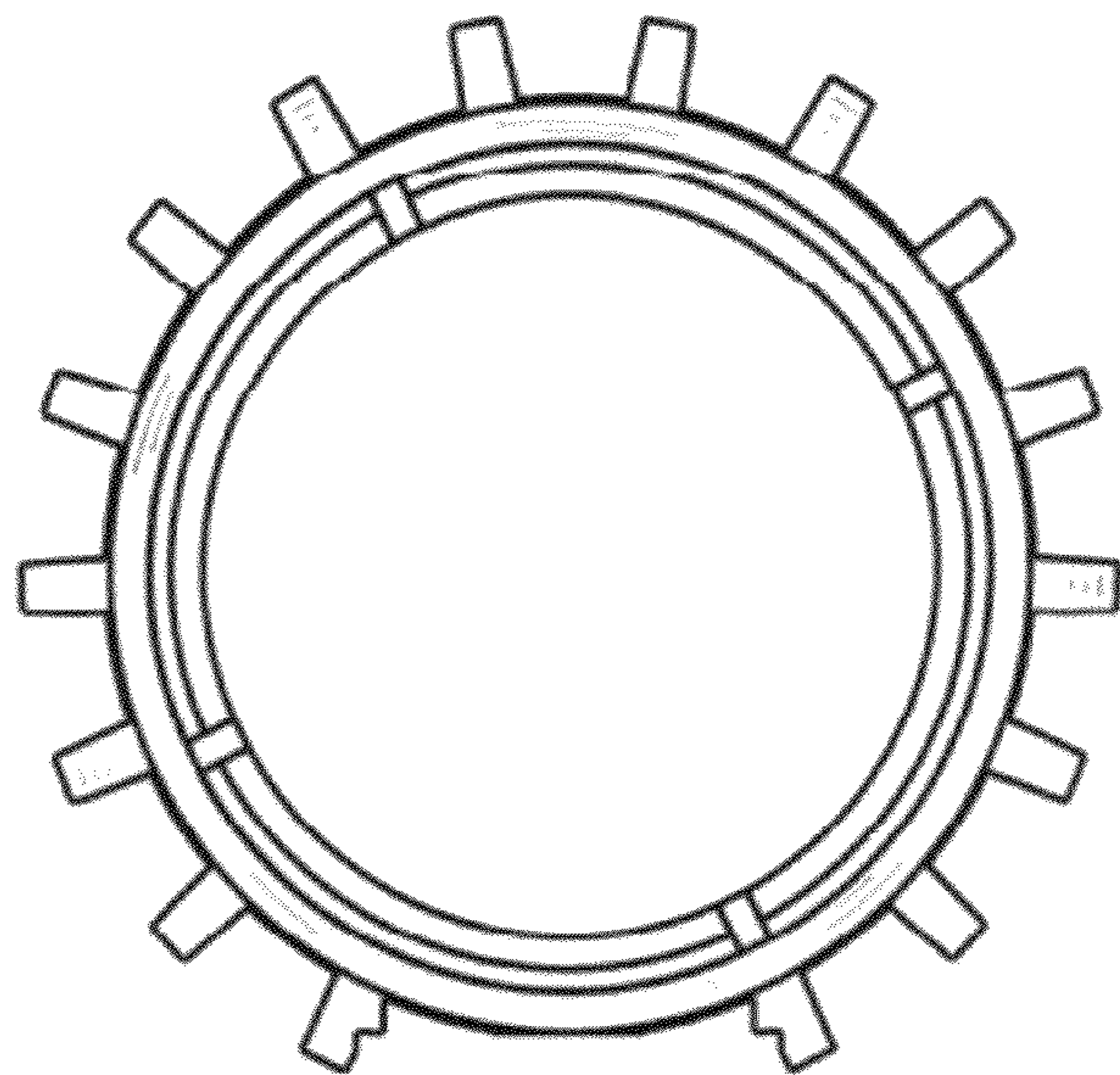


FIG. 2

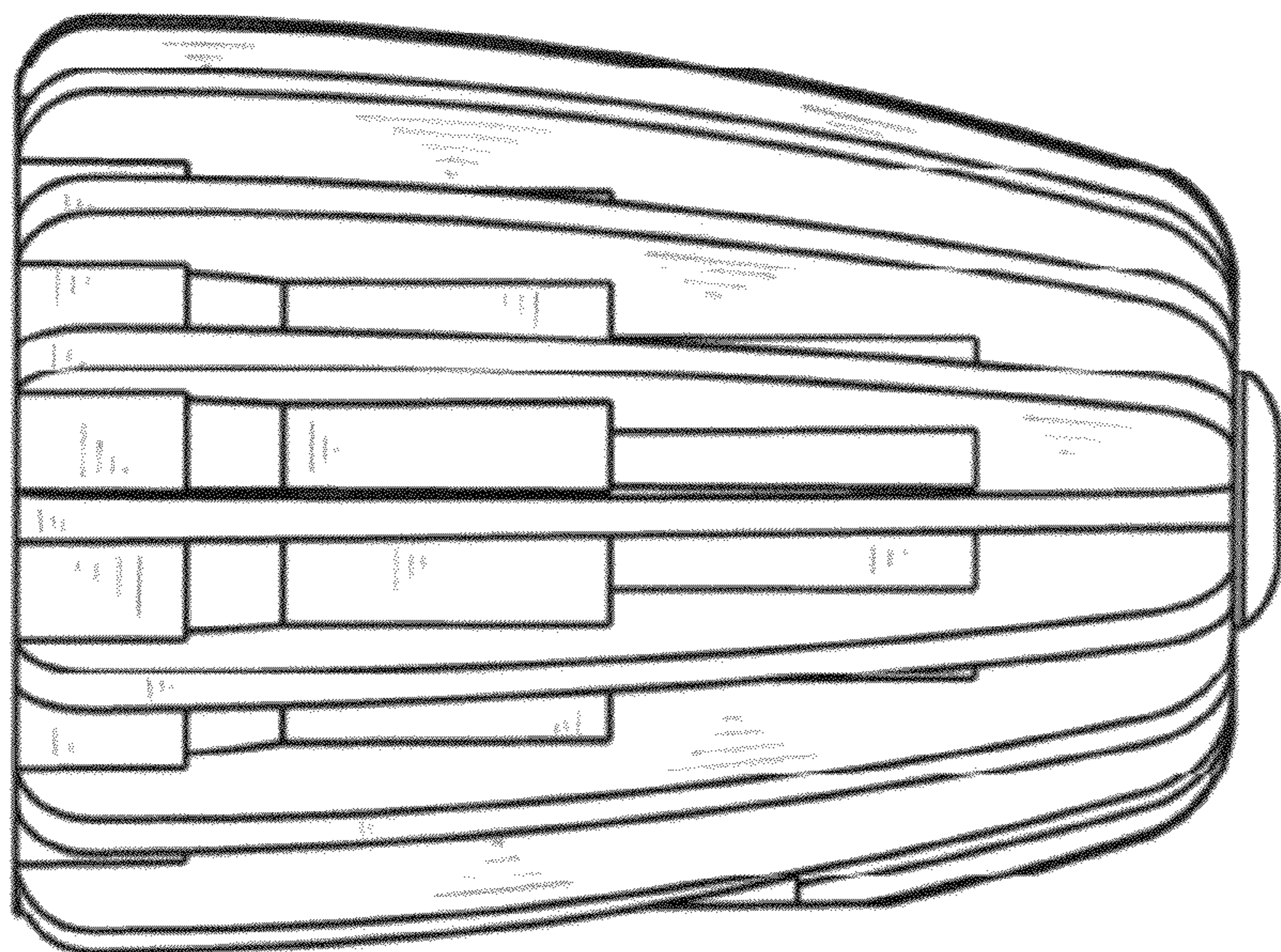


FIG. 3

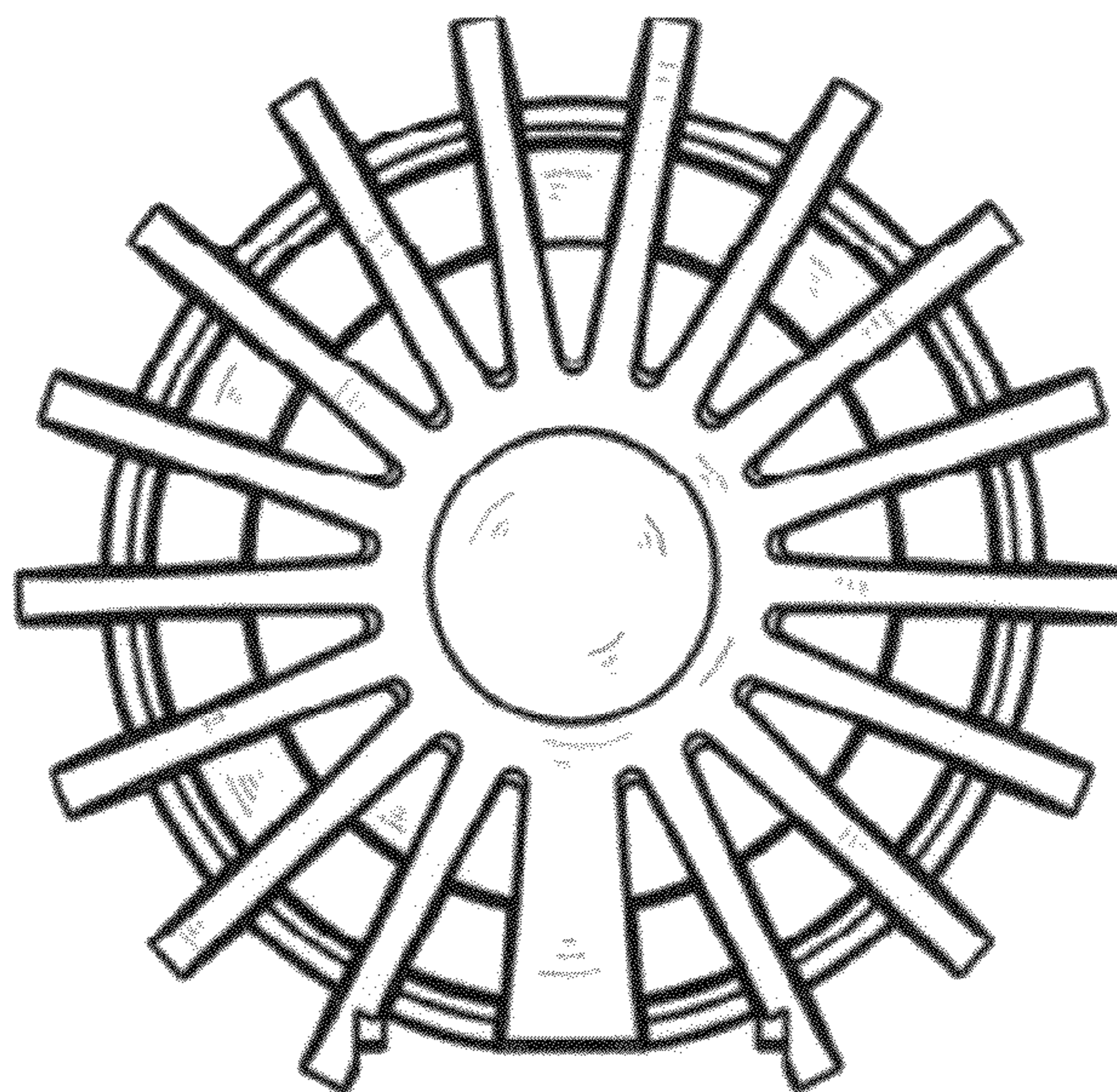


FIG. 4

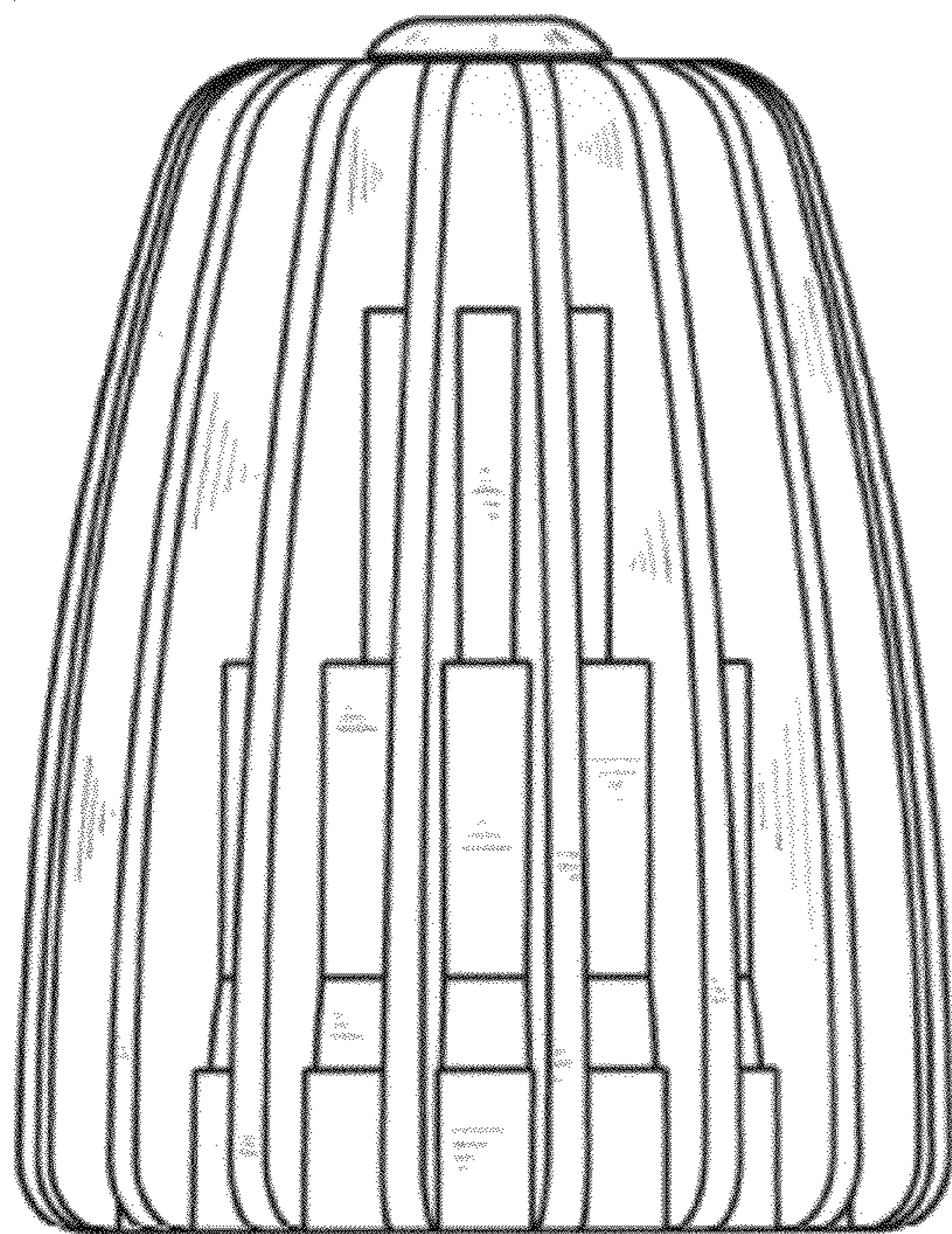


FIG. 5

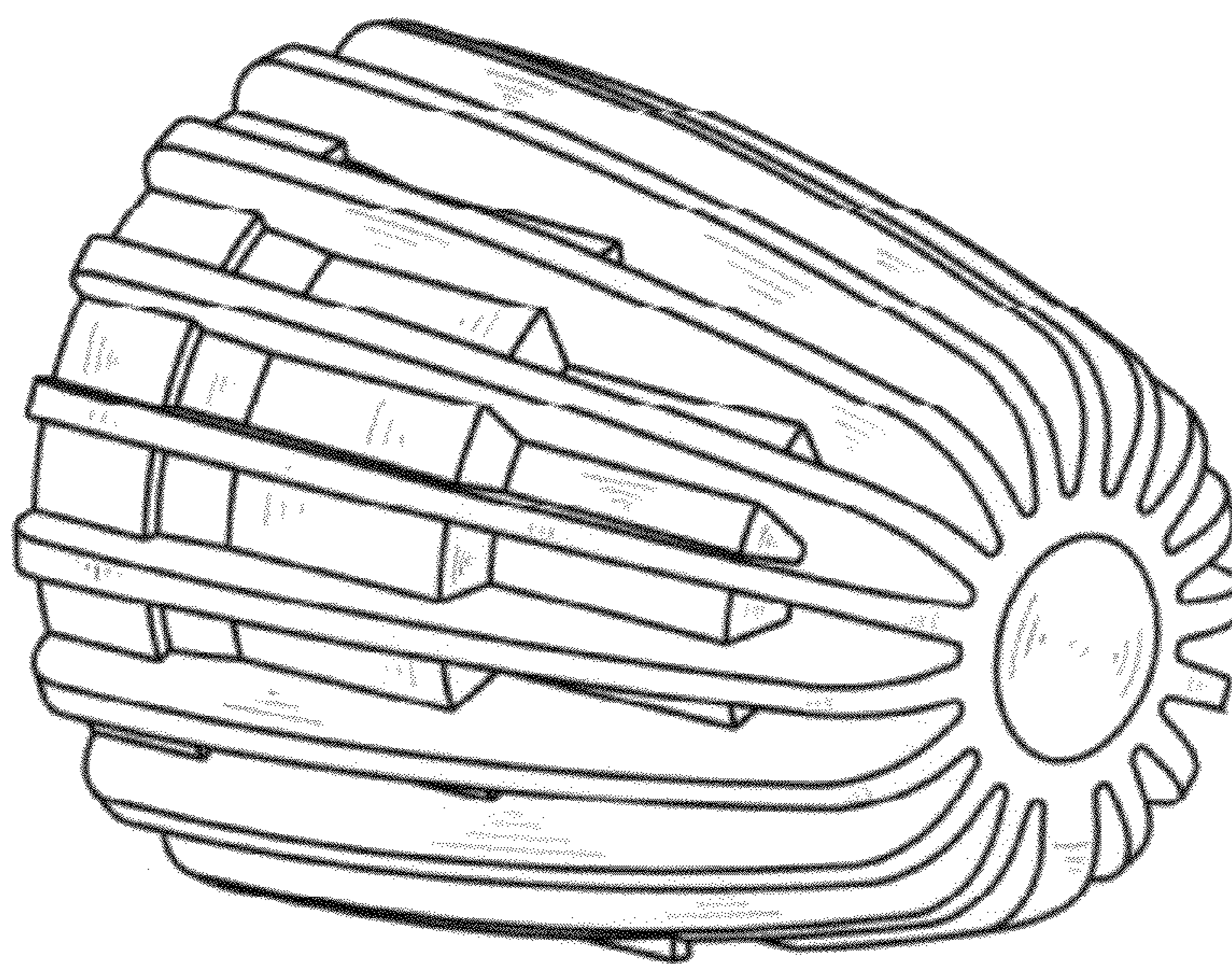


FIG. 6

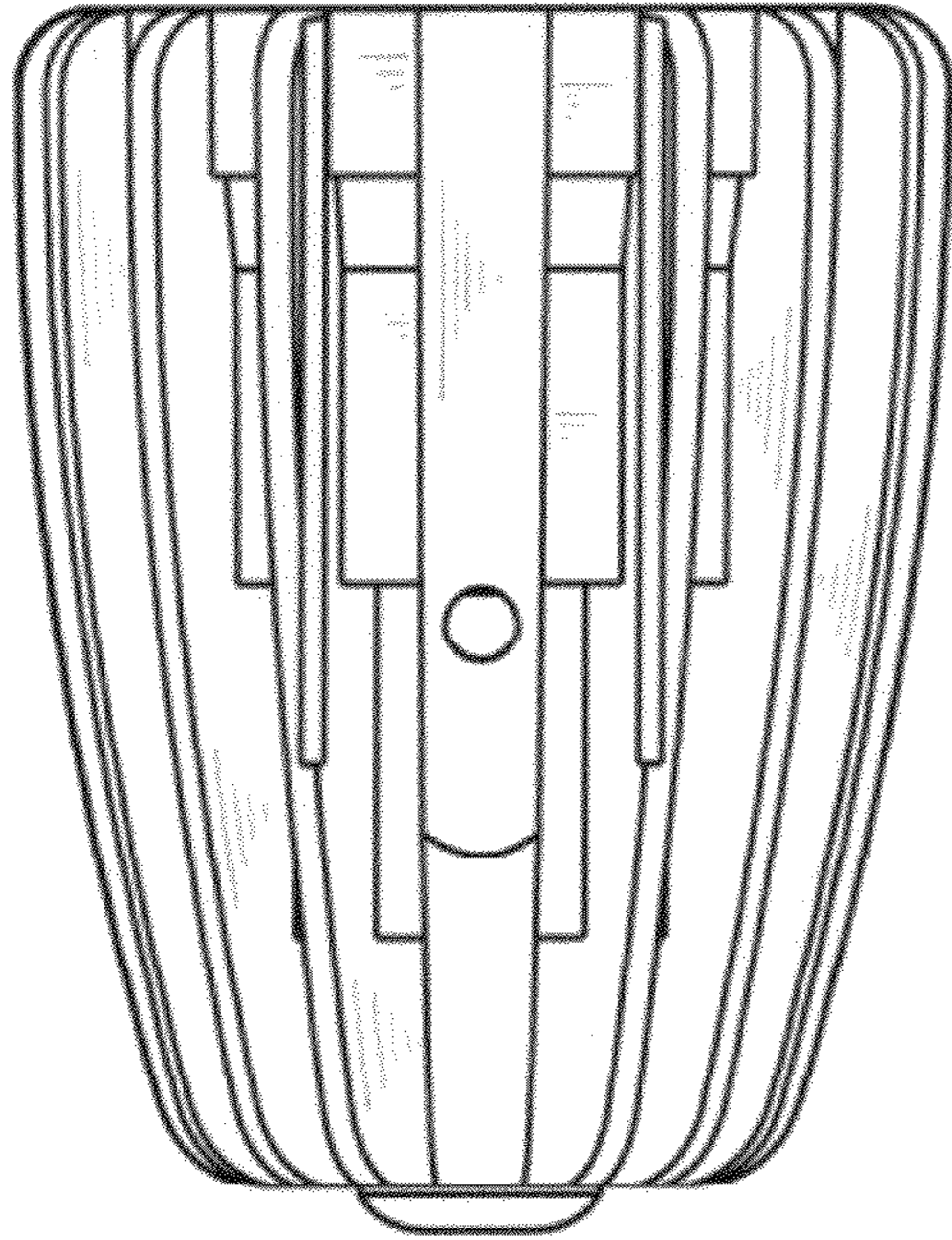


FIG. 7

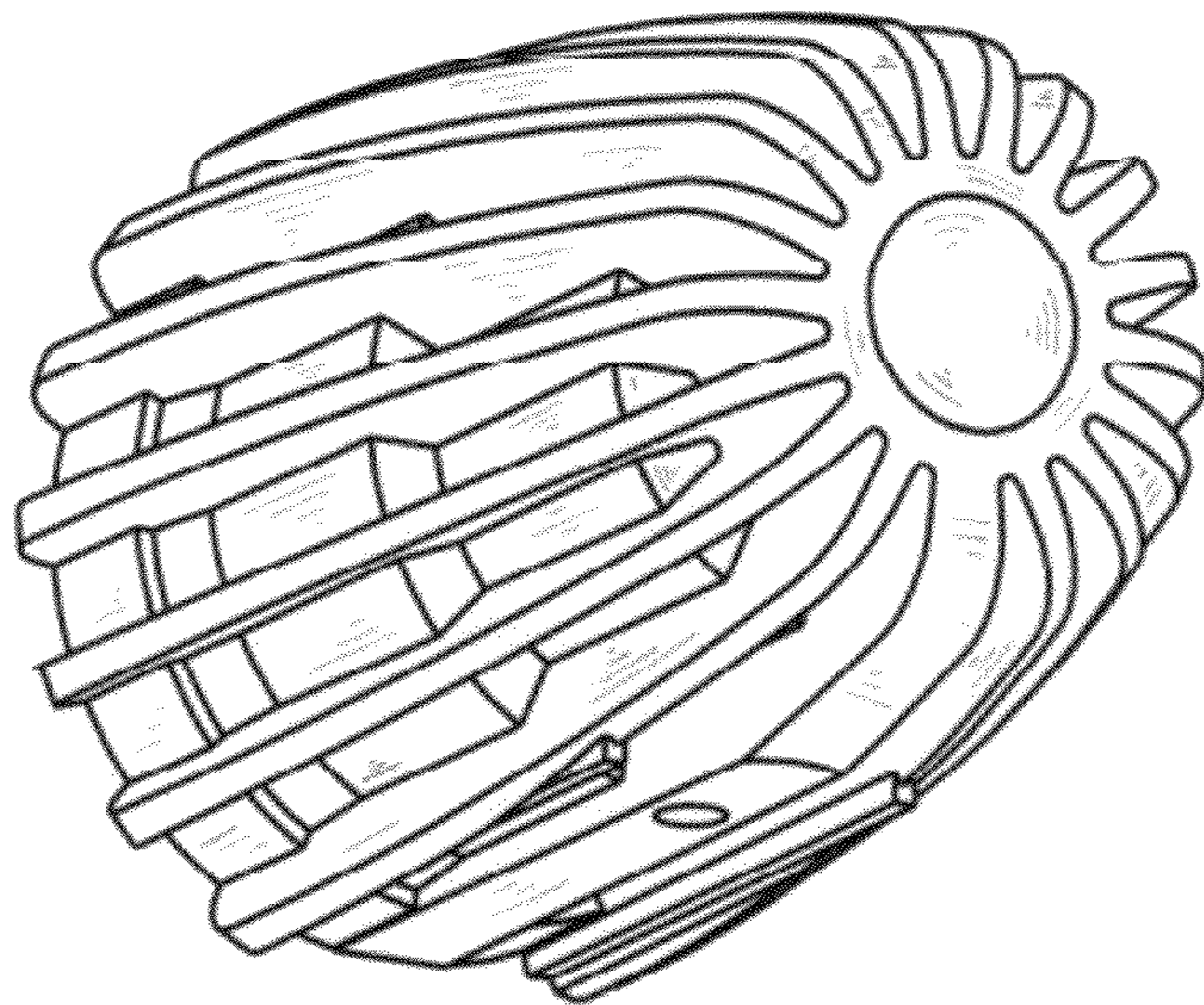


FIG. 8