

US00D665525S

(12) **United States Design Patent**
Patterson

(10) **Patent No.:** **US D665,525 S**

(45) **Date of Patent:** **** Aug. 14, 2012**

(54) **DISC PENDANT**

(75) Inventor: **Caleb L. Patterson**, Seattle, WA (US)

(73) Assignee: **3Form, Inc.**, Salt Lake City, UT (US)

(**) Term: **14 Years**

(21) Appl. No.: **29/413,330**

(22) Filed: **Feb. 14, 2012**

(51) **LOC (9) Cl.** **26-03**

(52) **U.S. Cl.** **D26/86**

(58) **Field of Classification Search** D26/80,
D26/83, 84, 86, 88-90, 124, 128, 131, 135;
362/147, 404-408

See application file for complete search history.

(56) **References Cited**

U.S. PATENT DOCUMENTS

D81,234 S *	5/1930	Gunnison	D26/86
D132,865 S *	6/1942	Drollinger	D14/209
D163,119 S *	5/1951	Julien et al.	D26/86
D170,841 S *	11/1953	Vigon	D26/102
D212,708 S *	11/1968	Mayer et al.	D26/86
3,600,572 A	8/1971	Grunwald		
D303,436 S *	9/1989	Clyde-Mason	D26/86
D400,283 S *	10/1998	Lawrence	D26/86
D550,391 S *	9/2007	Cesaro	D26/89
D604,451 S	11/2009	Smith		
D604,452 S	11/2009	Smith		

D604,890 S	11/2009	Smith		
D612,531 S	3/2010	Smith		
D620,636 S	7/2010	Holder		
D622,893 S *	8/2010	Nadell	D26/88
D635,711 S *	4/2011	Scutella'	D26/88
D643,567 S *	8/2011	Gutting	D26/88
D660,503 S *	5/2012	Gilad	D26/88

OTHER PUBLICATIONS

3Form, Light Art, 2010, (43 pages).

* cited by examiner

Primary Examiner — Clare E Heflin

(74) *Attorney, Agent, or Firm* — Workman Nydegger

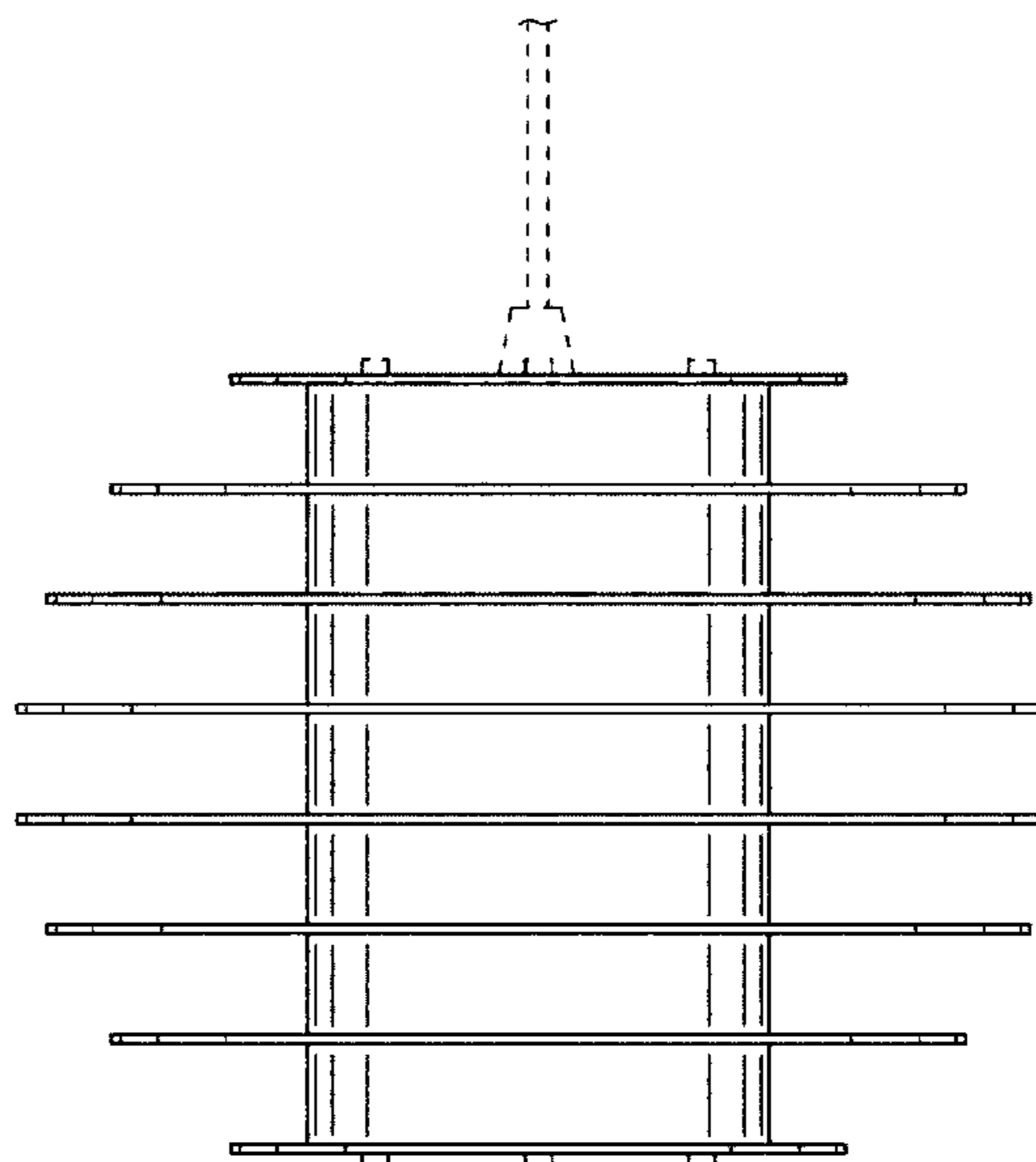
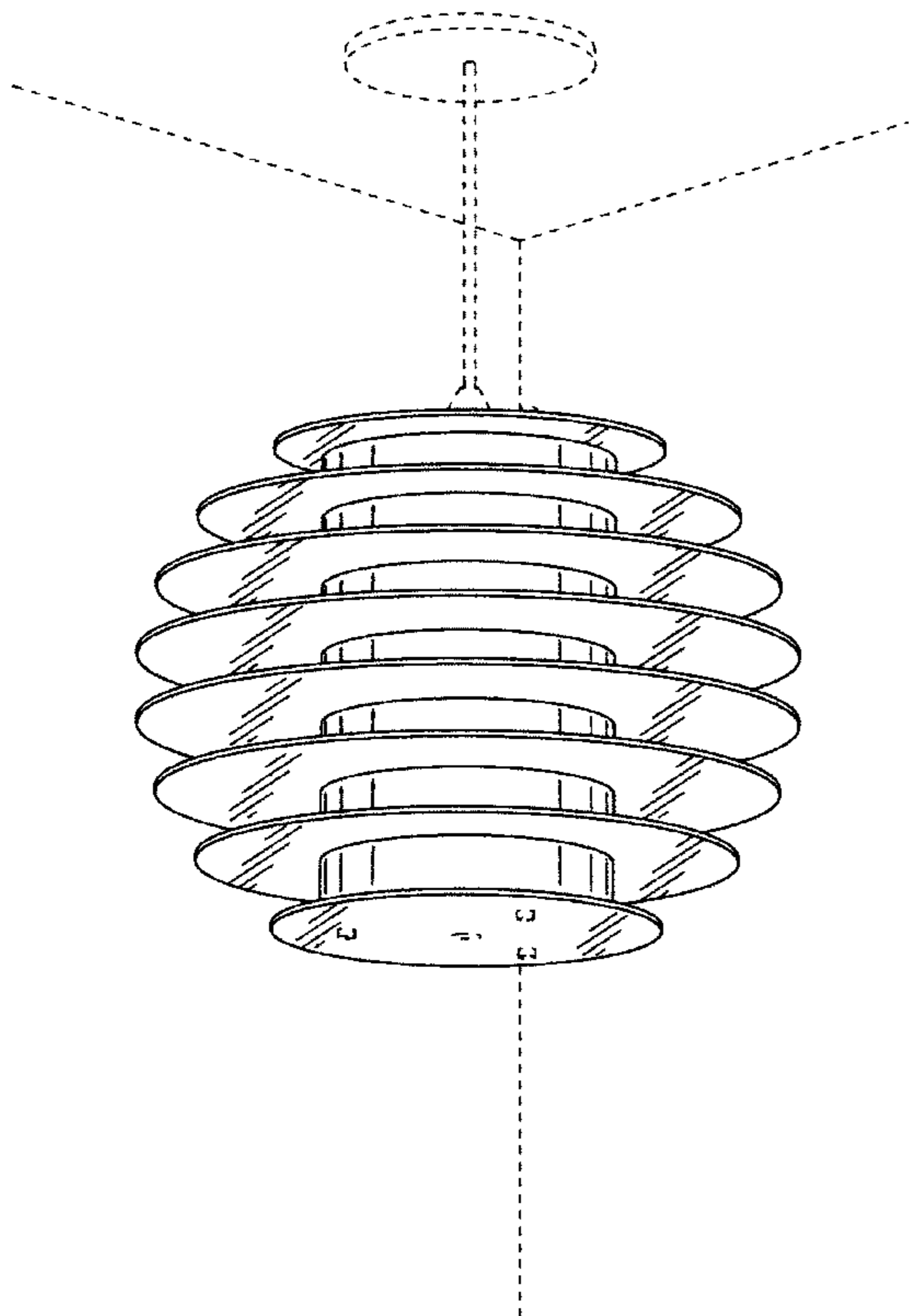
(57) **CLAIM**

The ornamental design for a disc pendant, as shown and described.

DESCRIPTION

FIG. 1 is a bottom perspective view of a disc pendant; FIG. 2 is a side elevational view thereof, the other sides being mirror images thereof; FIG. 3 is a bottom plan view thereof; and, FIG. 4 is a top plan view thereof. The broken lines included in the drawings are for illustrative purposes and form no part of the claimed design.

1 Claim, 4 Drawing Sheets



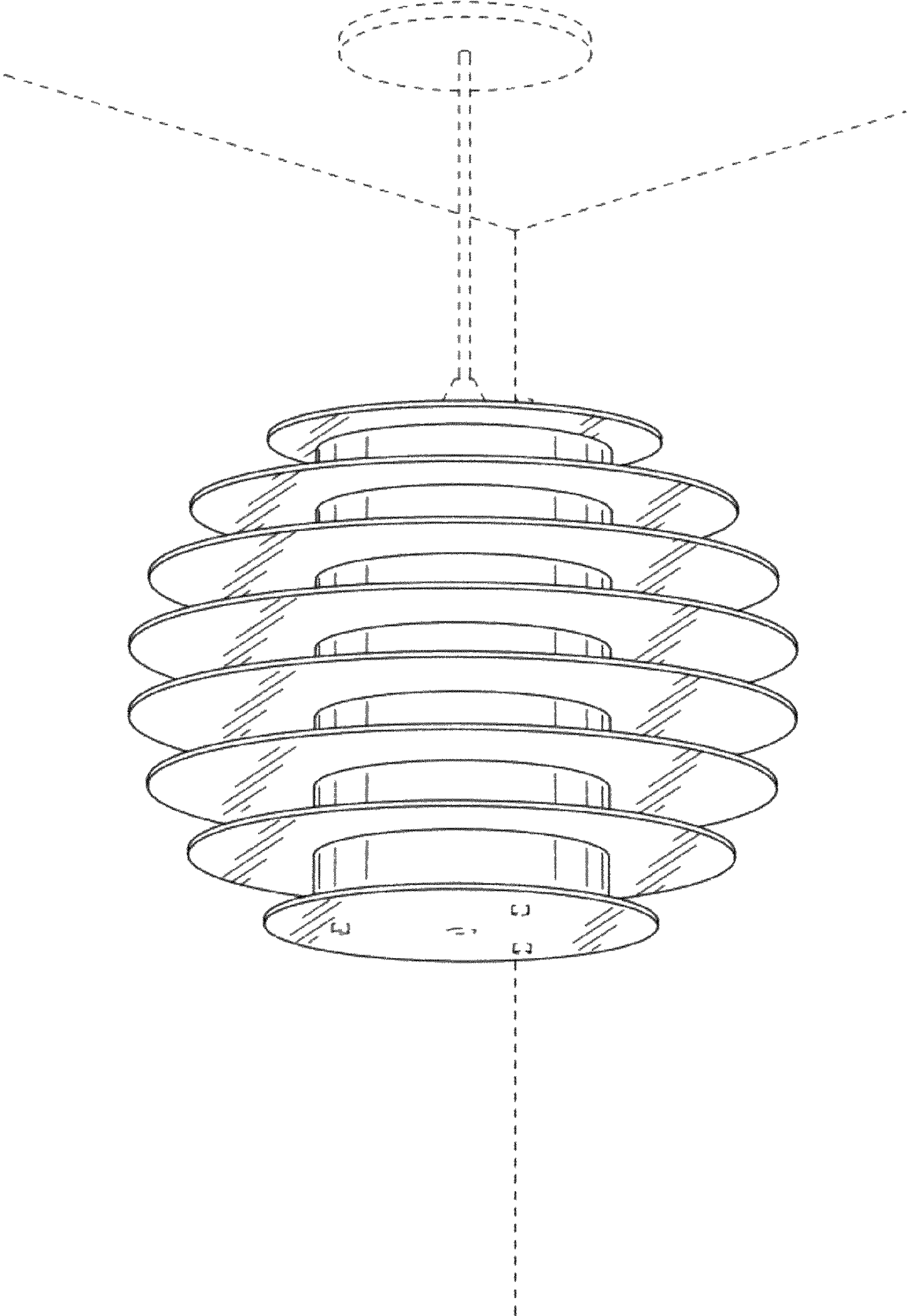


Fig. 1

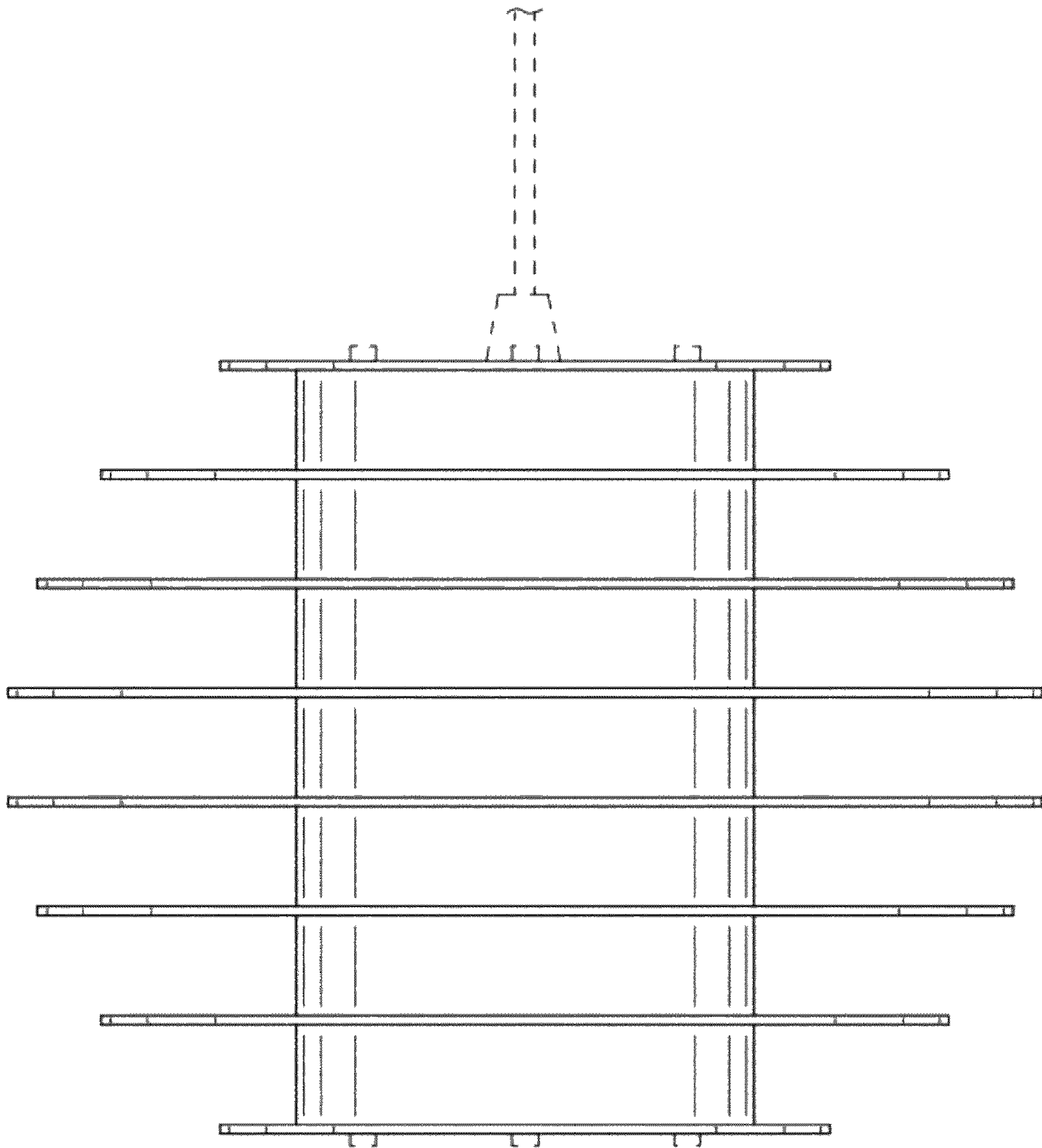


Fig. 2

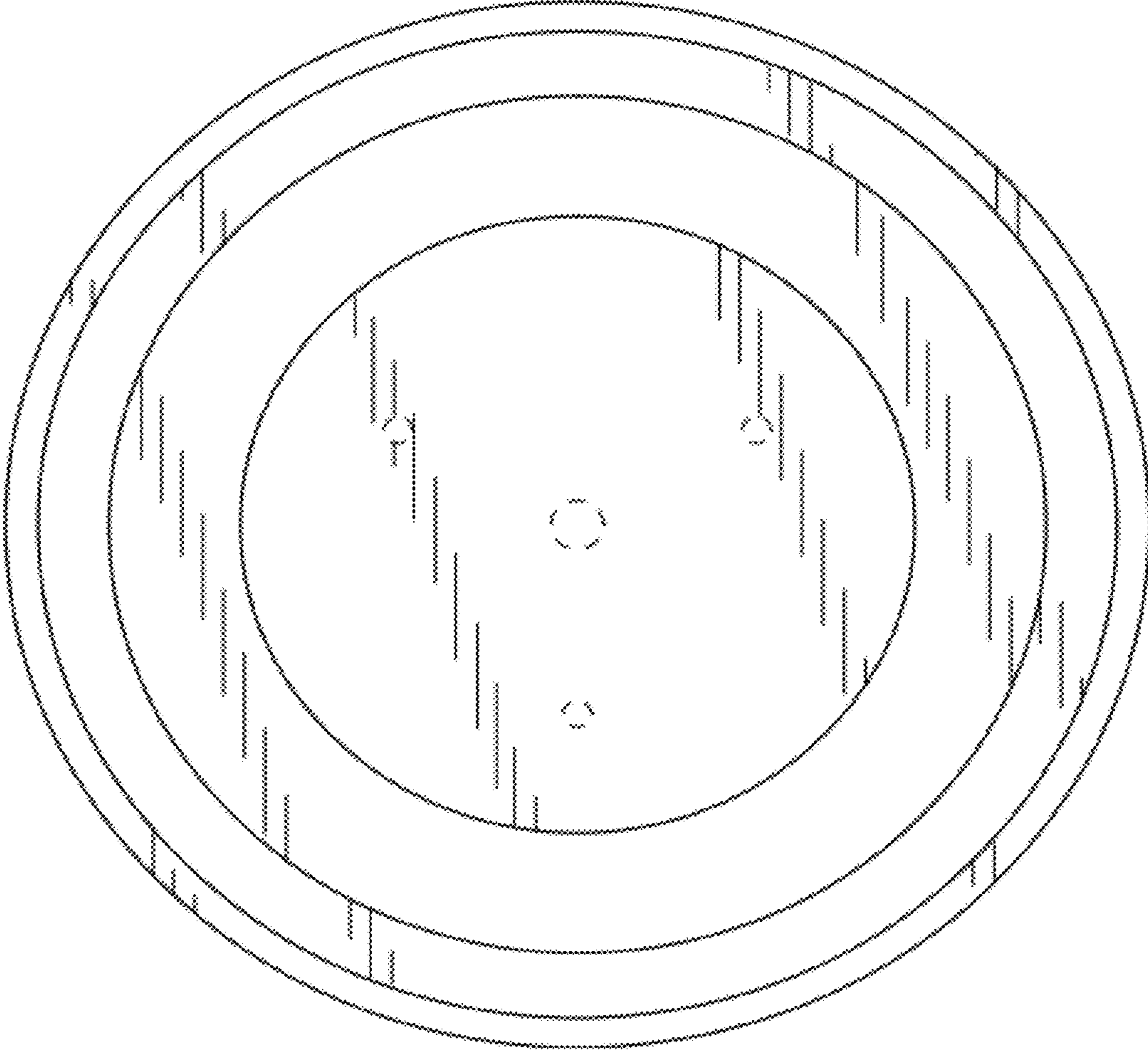


Fig. 3

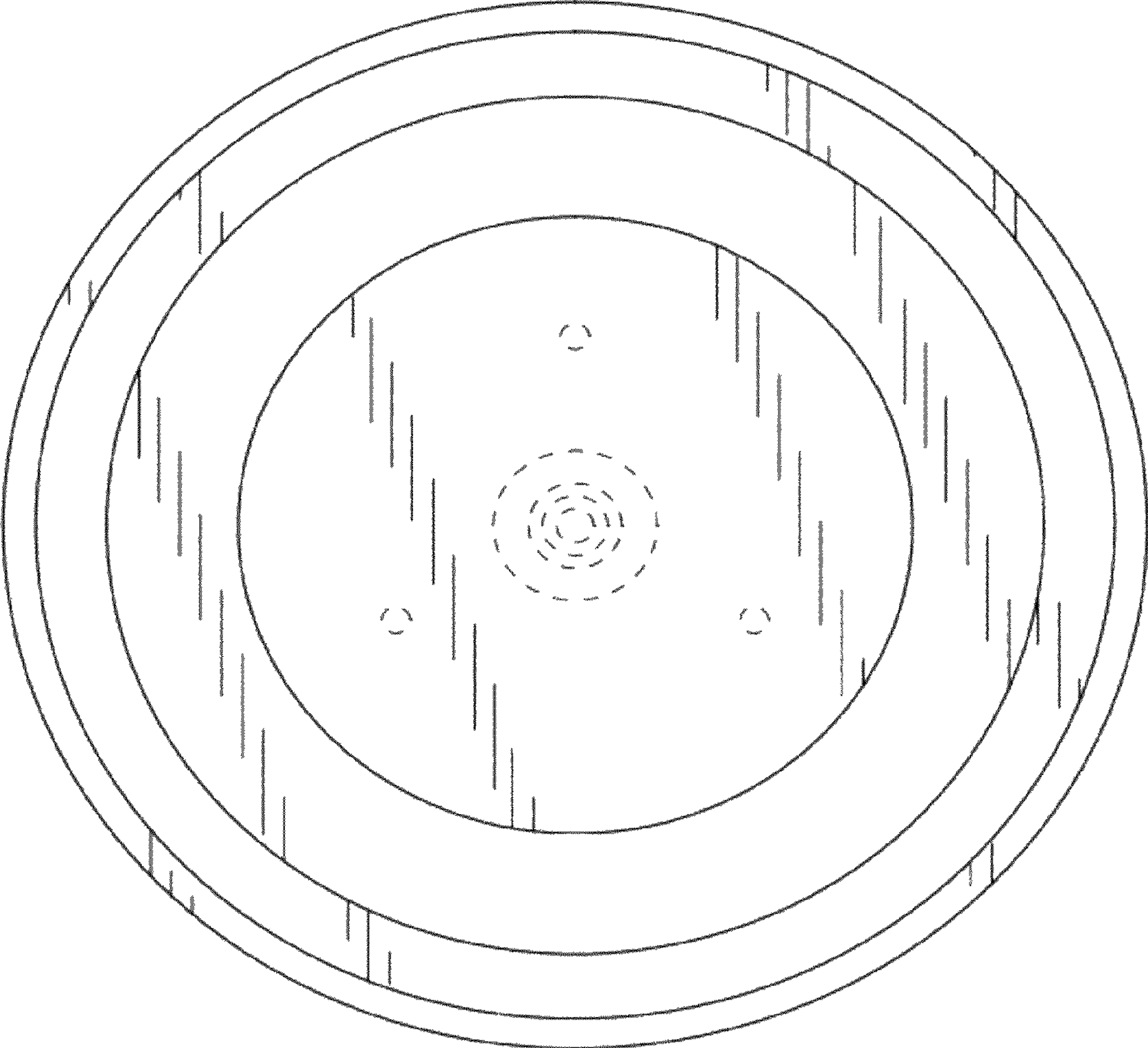


Fig. 4