



US00D665523S

(12) **United States Design Patent**
Holder

(10) **Patent No.:** **US D665,523 S**

(45) **Date of Patent:** **** Aug. 14, 2012**

(54) **SQUARED BASKET RIBBON LIGHT**
FIXTURE

(75) Inventor: **Ahna C. Holder**, Seattle, WA (US)

(73) Assignee: **3form, Inc.**, Salt Lake City, UT (US)

(**) Term: **14 Years**

(21) Appl. No.: **29/409,837**

(22) Filed: **Dec. 29, 2011**

(51) **LOC (9) Cl.** **26-05**

(52) **U.S. Cl.** **D26/73; D26/88**

(58) **Field of Classification Search** D26/73,
D26/80, 83, 84, 86, 88-90, 124, 128, 131,
D26/135; 362/147, 404-408

See application file for complete search history.

(56) **References Cited**

U.S. PATENT DOCUMENTS

D90,455	S	*	8/1933	Rubin	D26/73
D103,213	S	*	2/1937	Burger	D26/128
D117,911	S	*	12/1939	Sacksteder, Jr.	D26/128
2,299,870	A	*	10/1942	Arras	362/220
D135,698	S	*	5/1943	Samit	D26/90
2,711,476	A	*	6/1955	Wells	362/352
3,600,572	A	*	8/1971	Grunwald	362/358
D438,662	S	*	3/2001	Chelf et al.	D26/80
D584,446	S	*	1/2009	Sabernig	D26/88
D593,705	S	*	6/2009	Bilotti	D26/118

D595,891	S	*	7/2009	Sabernig	D26/90
D604,452	S	*	11/2009	Smith	D26/118
D622,893	S	*	8/2010	Nadell	D26/88

OTHER PUBLICATIONS

Basket Fixture from 3form LightArt product info brochure. © 2012. (2 pages).*

* cited by examiner

Primary Examiner — Clare E Heflin

(74) *Attorney, Agent, or Firm* — Workman Nydegger

(57) **CLAIM**

The ornamental design for a squared basket ribbon light fixture, as shown and described.

DESCRIPTION

FIG. 1 is a top perspective view of a lighting fixture including my design;

FIG. 2 is a front, facing view thereof;

FIG. 3 is rear view thereof;

FIG. 4 is right side view thereof;

FIG. 5 is left side view thereof;

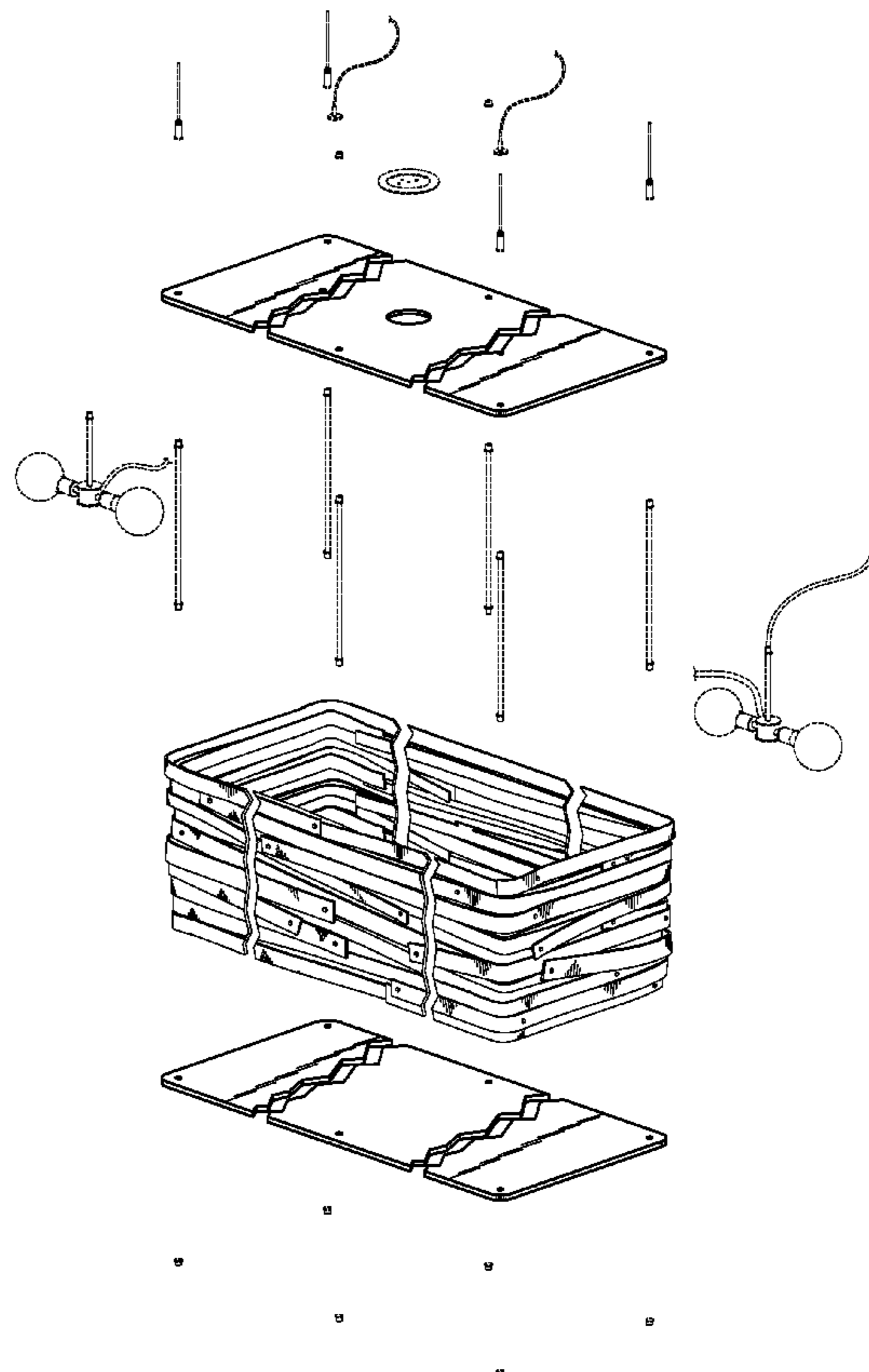
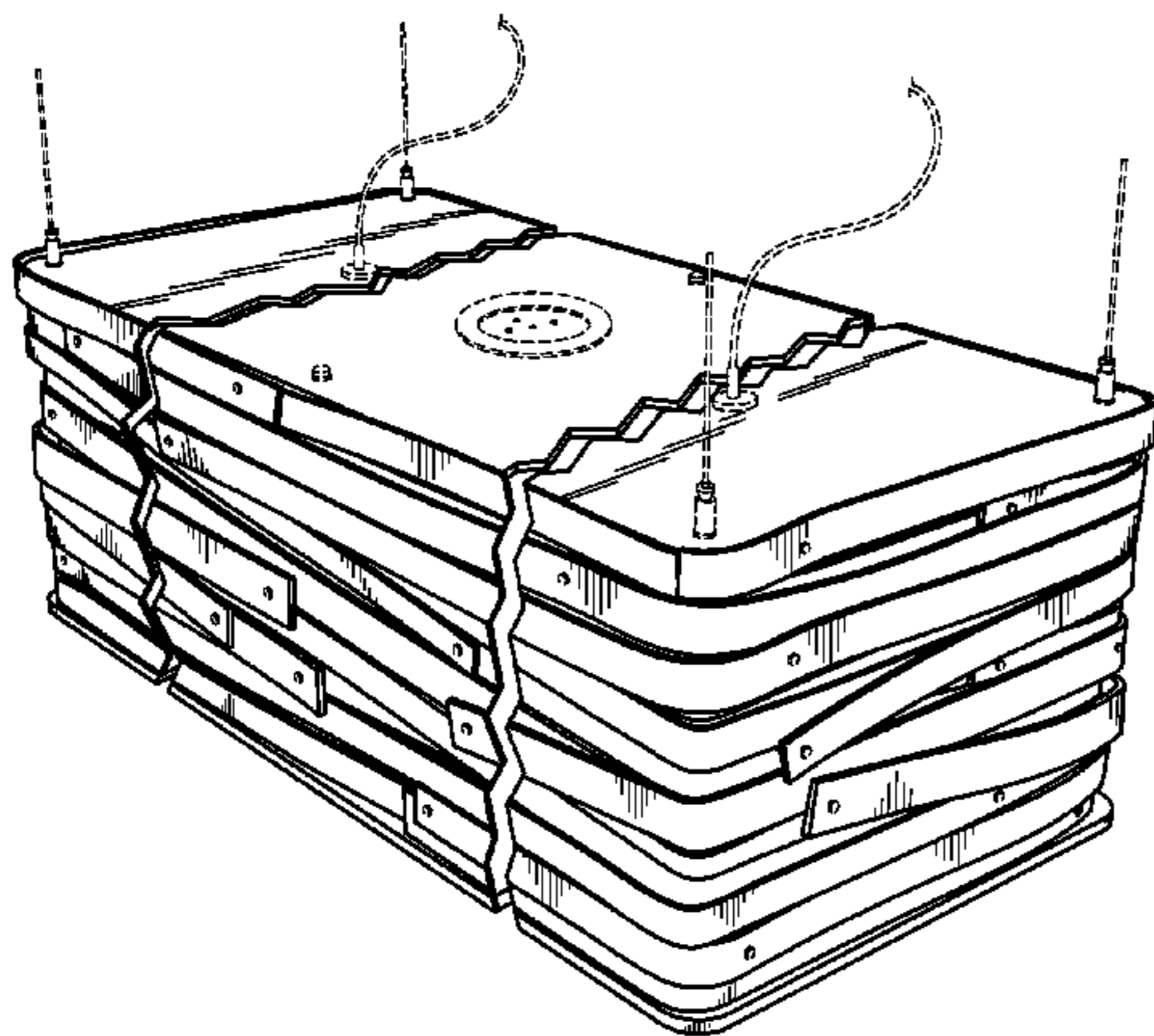
FIG. 6 is top plan view thereof;

FIG. 7 is a bottom plan view thereof; and,

FIG. 8 is an exploded, perspective view thereof.

The broken lines are included for the purpose of showing environmental portions of the squared basket ribbon light fixture, and form no part of the claimed design.

1 Claim, 8 Drawing Sheets



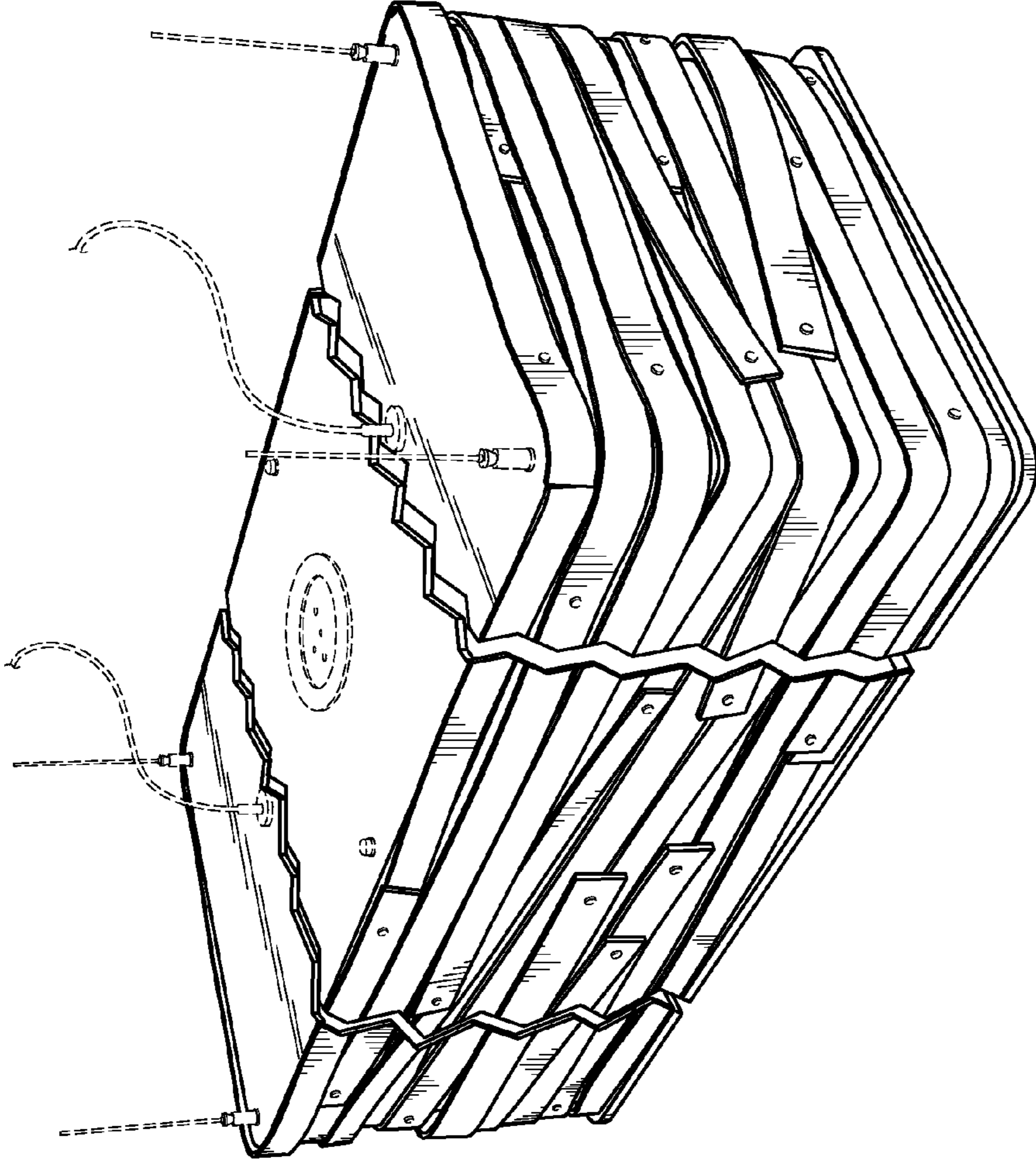


Fig. 1

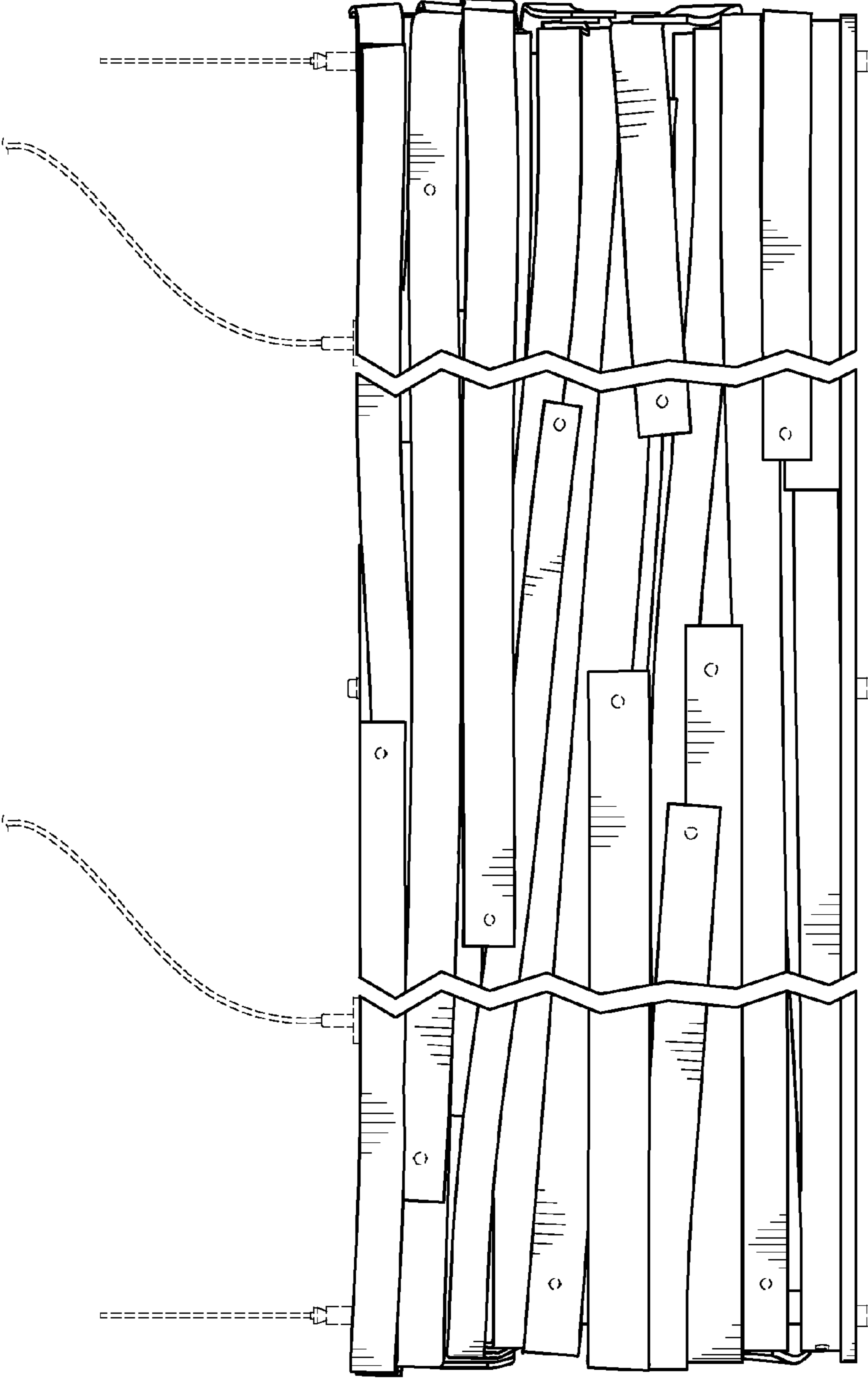


Fig. 2

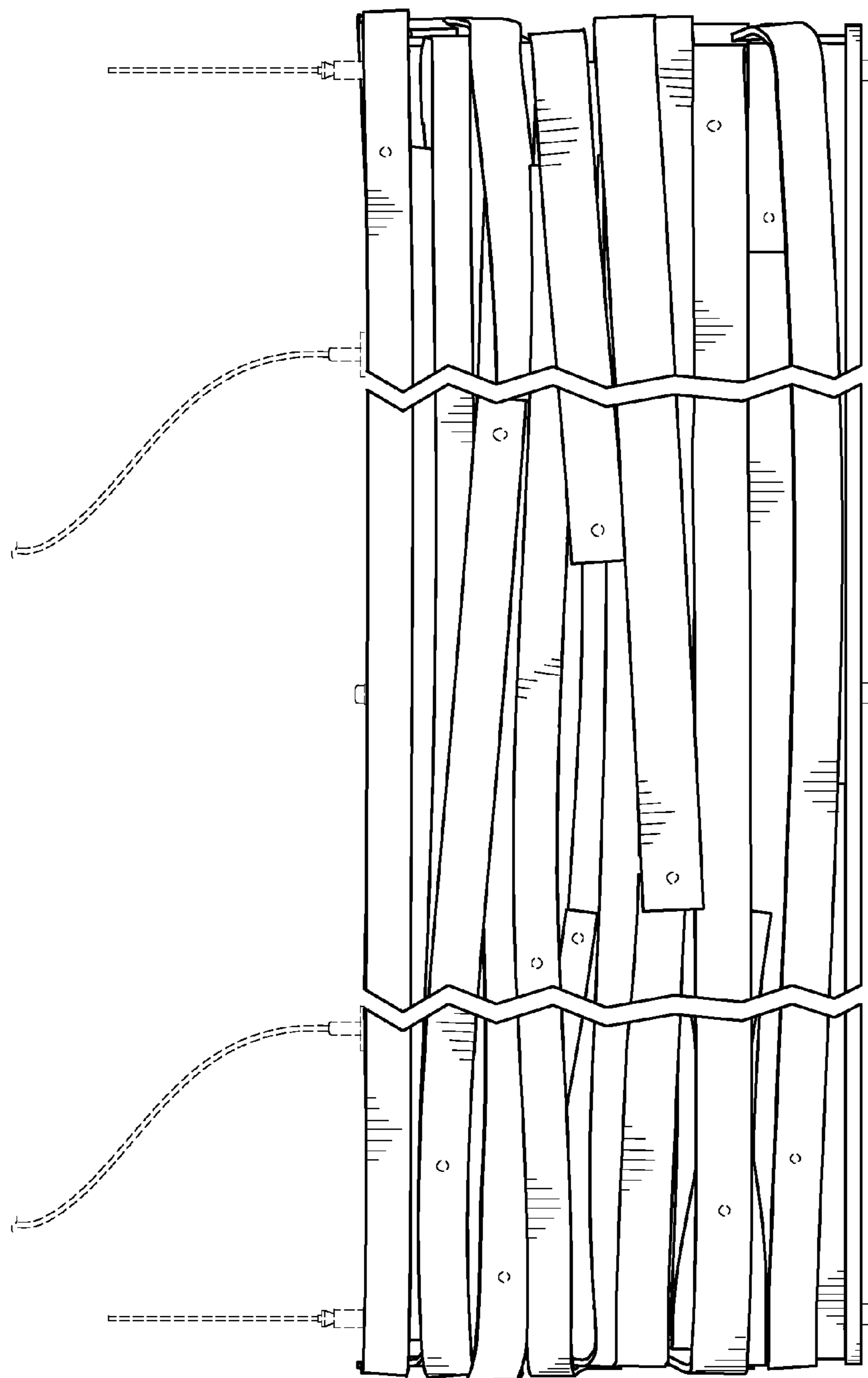


Fig. 3

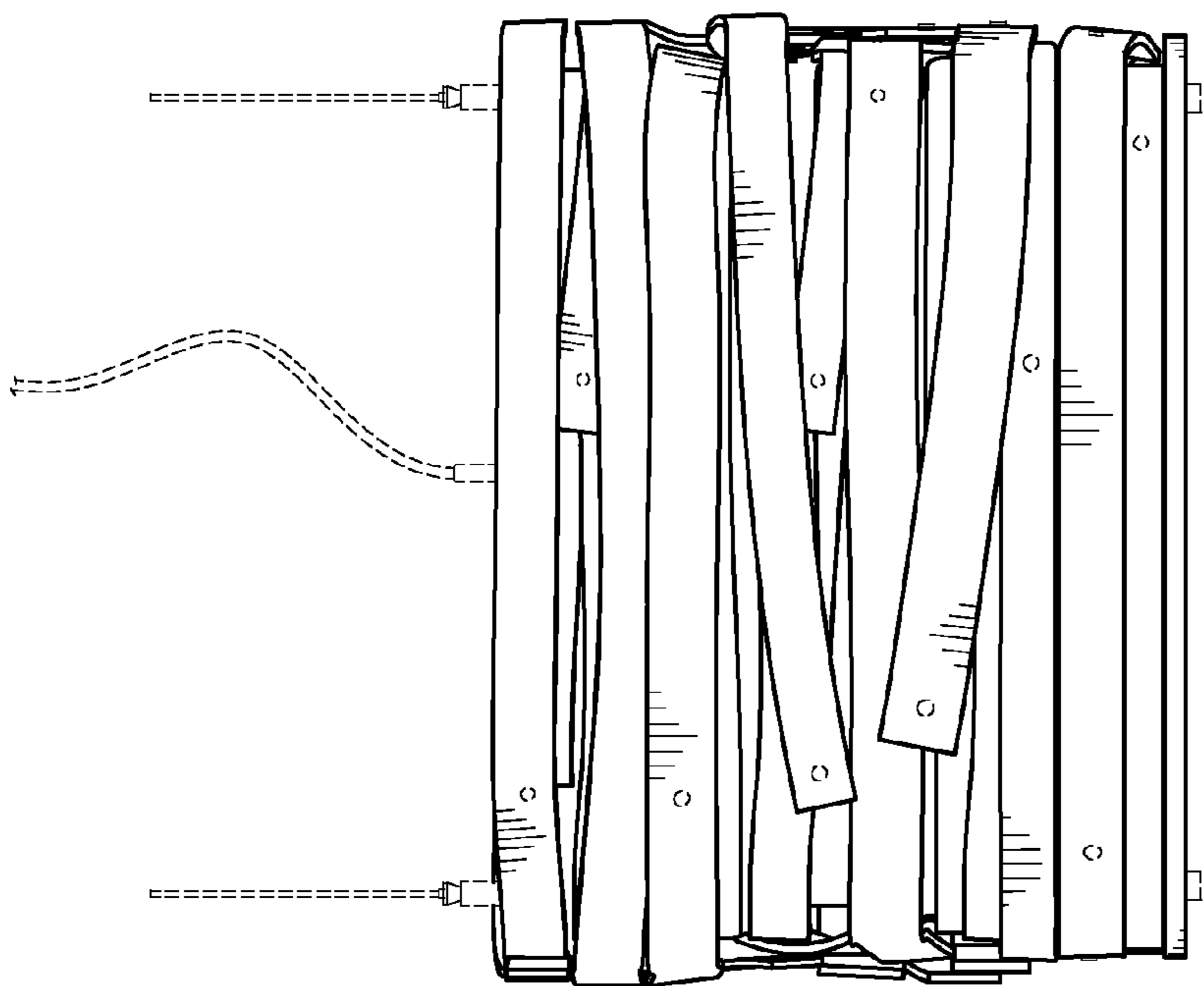


Fig. 4

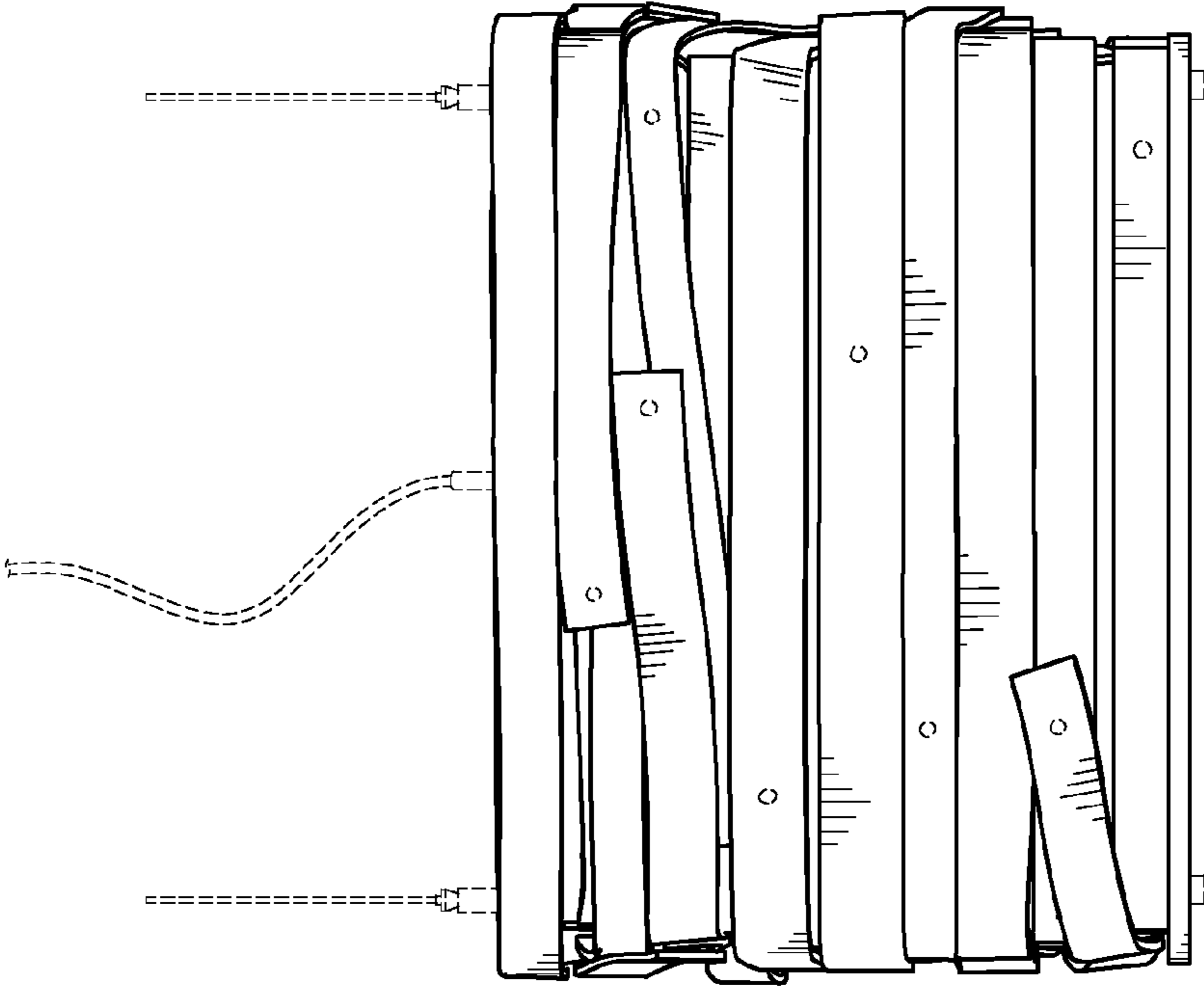


Fig. 5

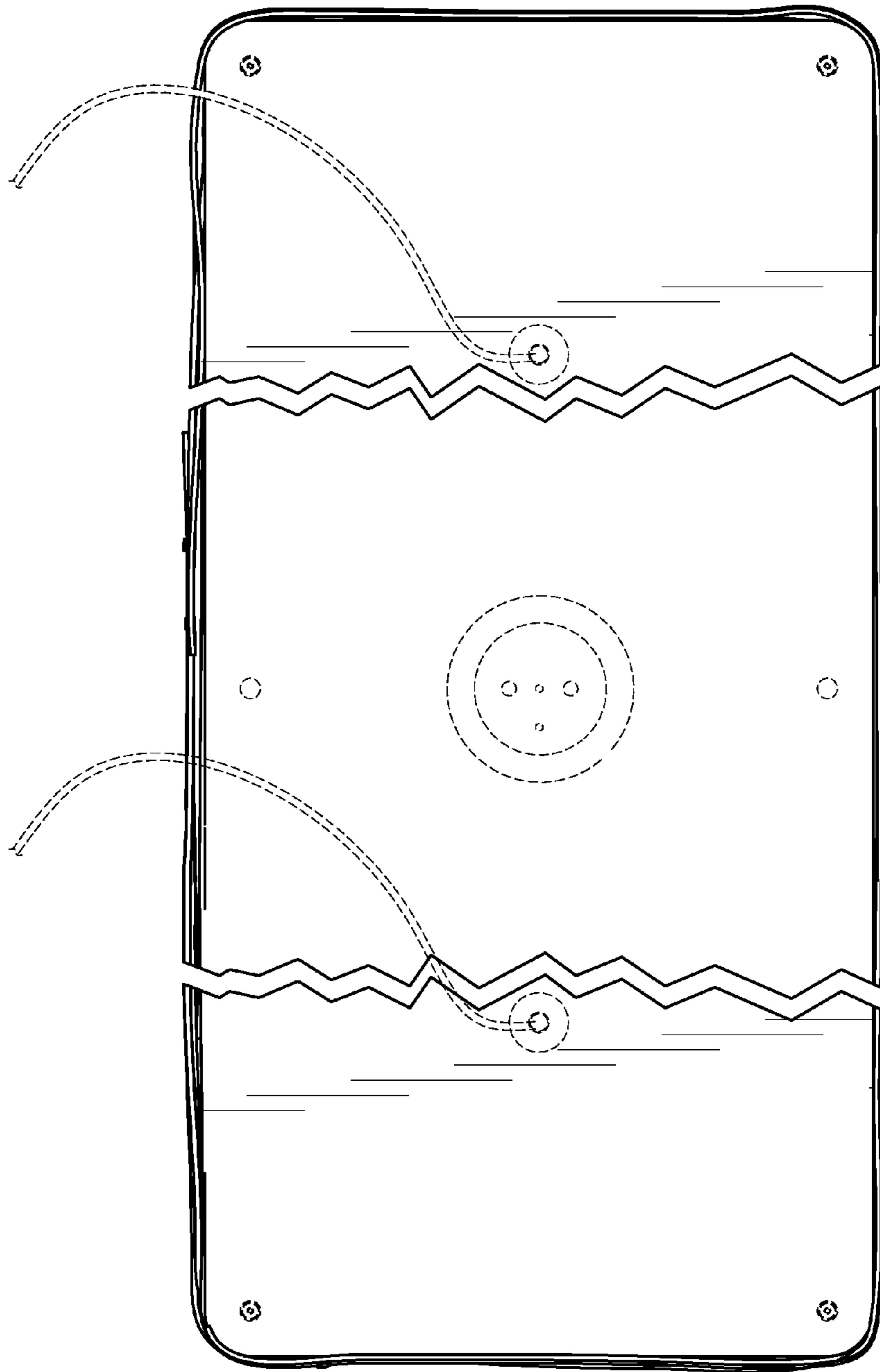


Fig. 6

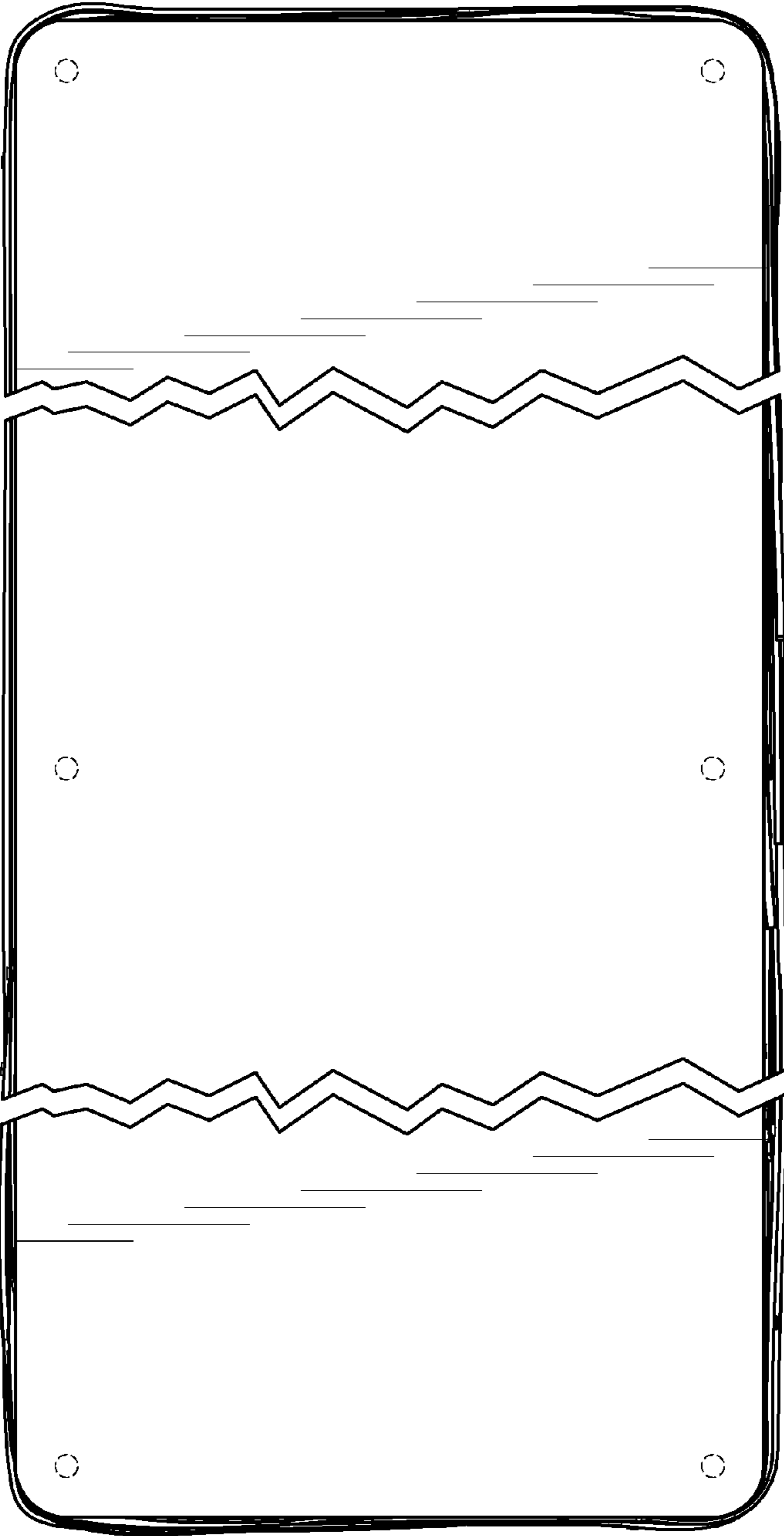


Fig. 7

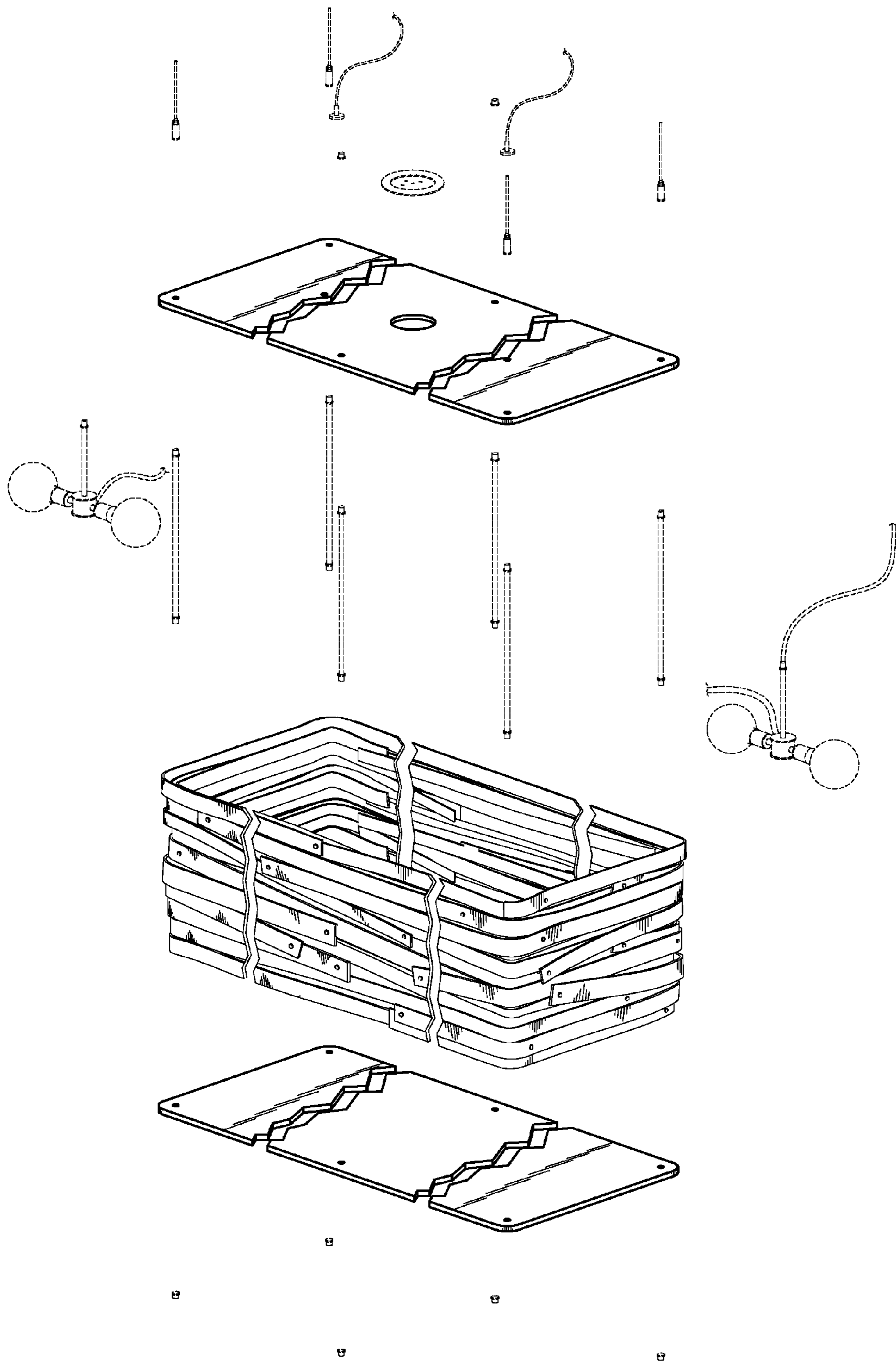


Fig. 8