

US00D665522S

(12) **United States Design Patent**
Werner et al.

(10) **Patent No.:** **US D665,522 S**
(45) **Date of Patent:** **** Aug. 14, 2012**

(54) **BATTERY LAMP**

DESCRIPTION

(75) Inventors: **Uwe Werner**, Uitikon (CH); **Marco Stoffel**, Zurich (CH); **Tom Staeubli**, Zurich (CH); **Arno Lenzi**, Zurich (CH)

(73) Assignee: **Robert Bosch GmbH**, Stuttgart (DE)

(**) Term: **14 Years**

(21) Appl. No.: **29/385,471**

(22) Filed: **Feb. 15, 2011**

(30) **Foreign Application Priority Data**

Aug. 17, 2010 (EM) 001743923

(51) **LOC (9) CL.** **26-02**

(52) **U.S. CL.** **D26/37**

(58) **Field of Classification Search** D26/37,
D26/38, 39, 40, 45, 46, 49, 51, 52; 362/157,
362/158, 183, 184, 190, 194-196, 202-208,
362/253; D13/118, 119, 184

See application file for complete search history.

(56) **References Cited**

U.S. PATENT DOCUMENTS

D553,280 S * 10/2007 Krieger et al. D26/44
(Continued)

Primary Examiner — Stella Reid

Assistant Examiner — Carissa C Fitts

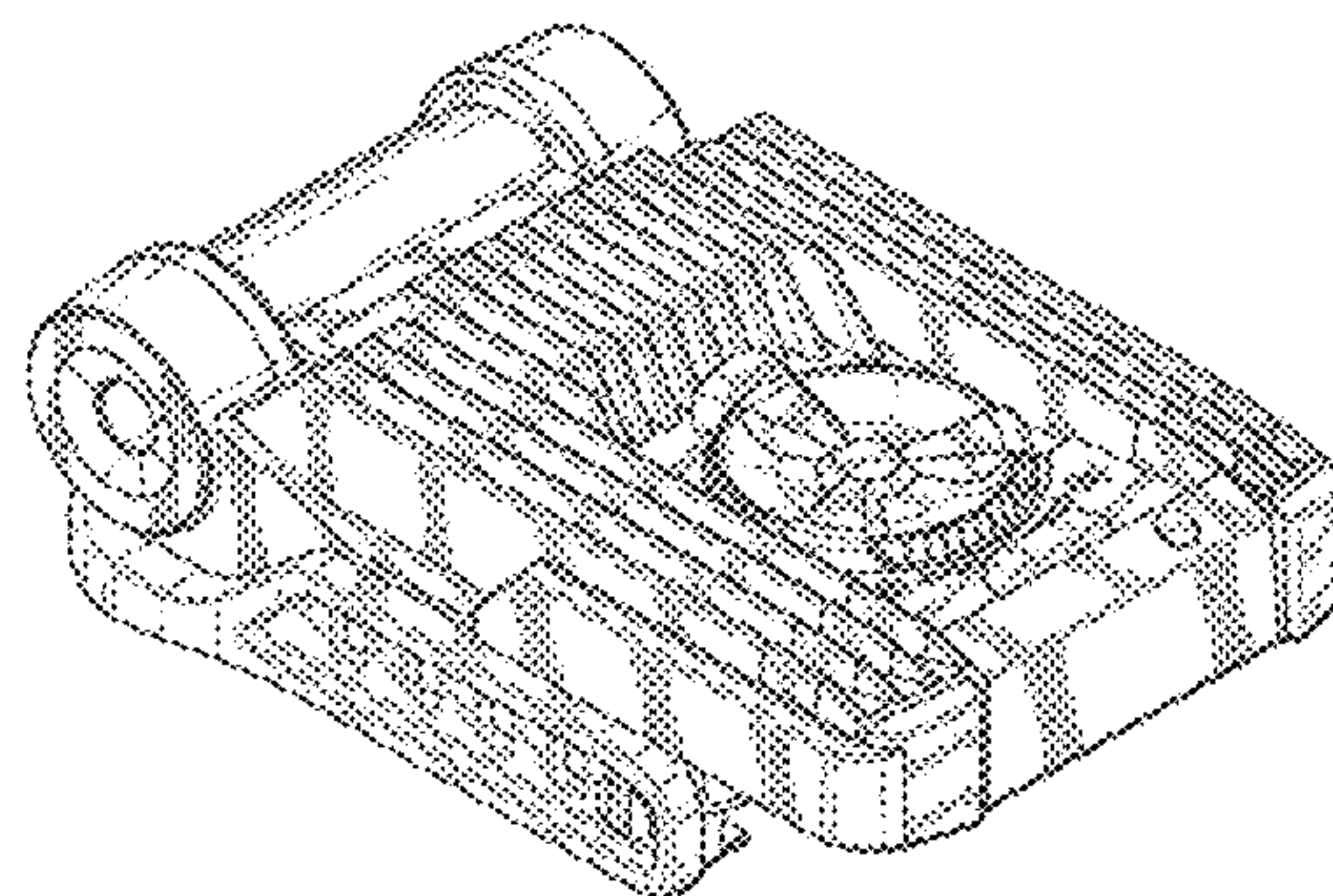
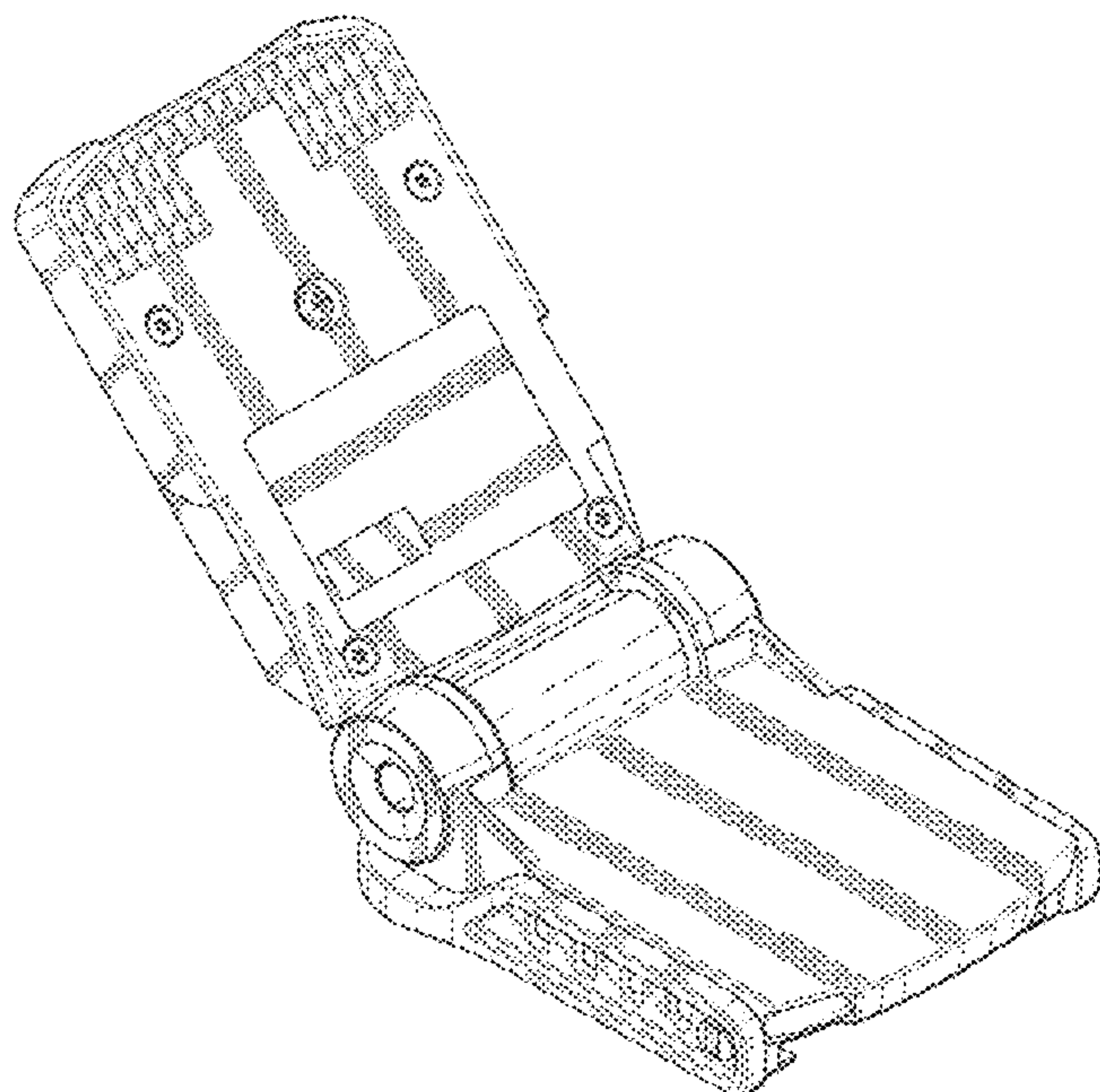
(74) *Attorney, Agent, or Firm* — Maginot, Moore & Beck

(57) **CLAIM**

The ornamental design for a battery lamp, as shown and described.

FIG. 1 is a perspective view of a battery lamp showing our new design in an open position;
FIG. 2 is left side elevational view showing the design for the battery lamp of FIG. 1 in the open position;
FIG. 3 is a right side elevational view showing the design for the battery lamp of FIG. 1 in the open position;
FIG. 4 is a rear elevational view showing the design for the battery lamp of FIG. 1 in the open position;
FIG. 5 is a front elevational view showing the design for the battery lamp of FIG. 1 in the open position;
FIG. 6 is a top elevational view showing the design for the battery lamp of FIG. 1 in the open position;
FIG. 7 is a bottom elevational view showing the design for the battery lamp of FIG. 1 in the open position;
FIG. 8 is a perspective view showing the design for the battery lamp of FIG. 1 in a closed position;
FIG. 9 is left side elevational view showing the design for the battery lamp of FIG. 8 in the closed position;
FIG. 10 is a right side elevational view showing the design for the battery lamp of FIG. 8 in the closed position;
FIG. 11 is a rear elevational view showing the design for the battery lamp of FIG. 8 in the closed position;
FIG. 12 is a front elevational view showing the design for the battery lamp of FIG. 8 in the closed position;
FIG. 13 is a top elevational view showing the design for the battery lamp of FIG. 8 in the closed position; and,
FIG. 14 is a bottom elevational view showing the design for the battery lamp of FIG. 8 in the closed position.
The broken line showing of portions of the battery lamp in the drawings is included for illustrative purposes only and forms no part of the claimed design.

1 Claim, 14 Drawing Sheets



US D665,522 S

Page 2

U.S. PATENT DOCUMENTS

D553,771 S *	10/2007	Watson et al.	D26/37	D623,784 S *	9/2010	Yamamoto	D26/45
D556,353 S *	11/2007	Gebhard et al.	D26/48	D638,152 S *	5/2011	Leung	D26/40
D558,369 S *	12/2007	O'Hern	D26/42	D643,138 S *	8/2011	Kawase et al.	D26/37
D593,236 S *	5/2009	Ng et al.	D26/37	2006/0146523 A1 *	7/2006	Yuen	362/183
D614,334 S *	4/2010	Thomson et al.	D26/38				

* cited by examiner

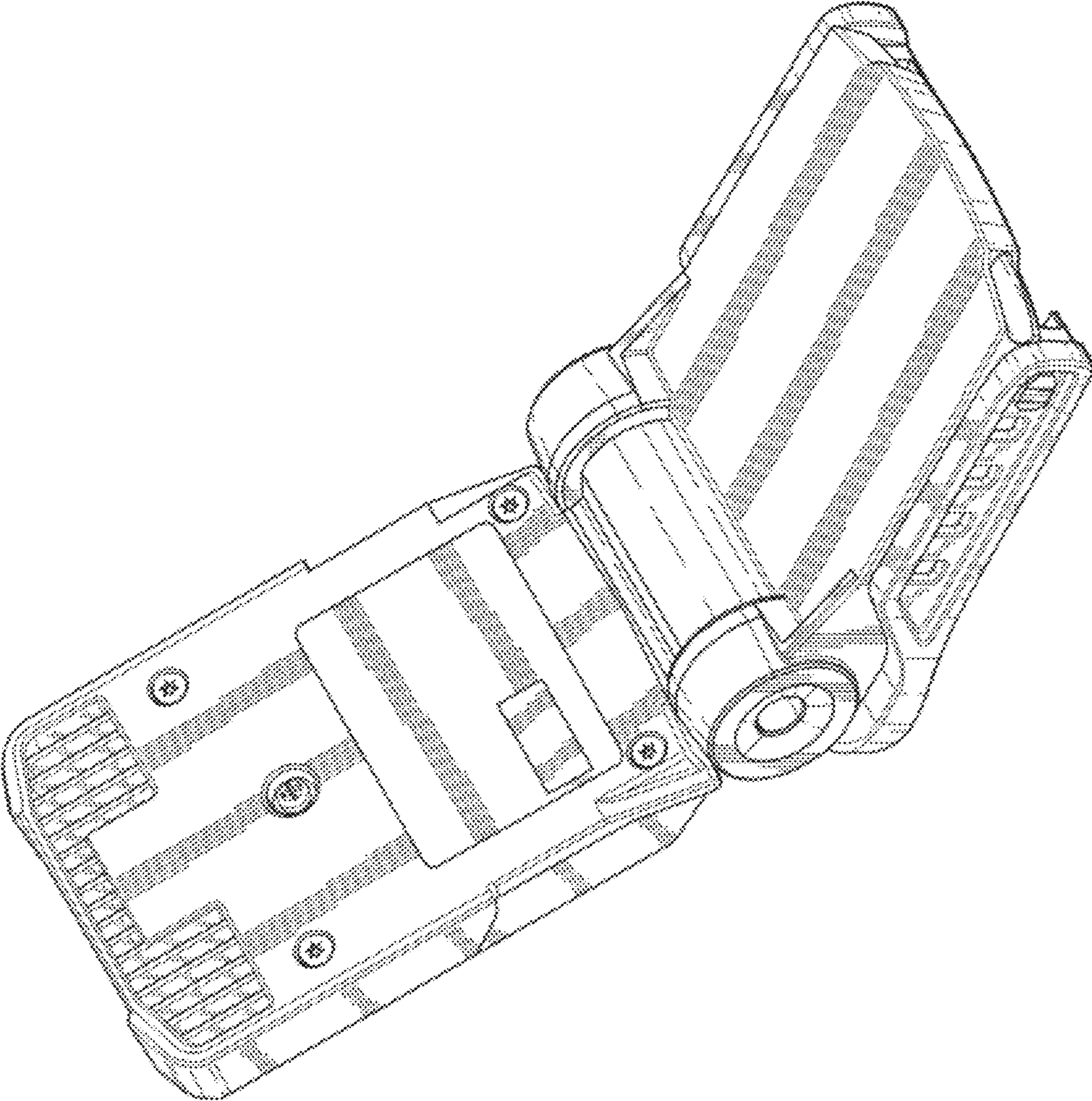


Fig.1

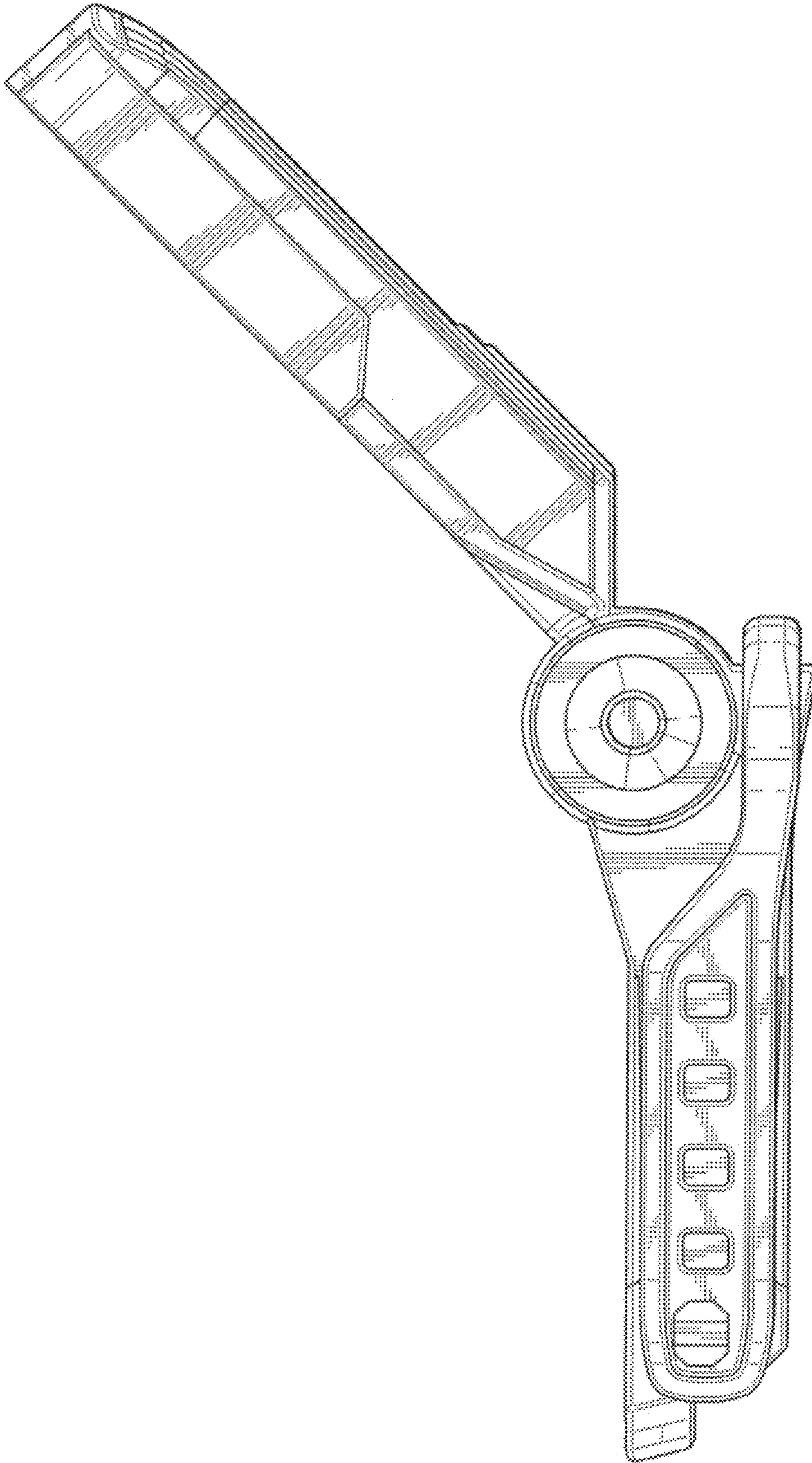


Fig. 2

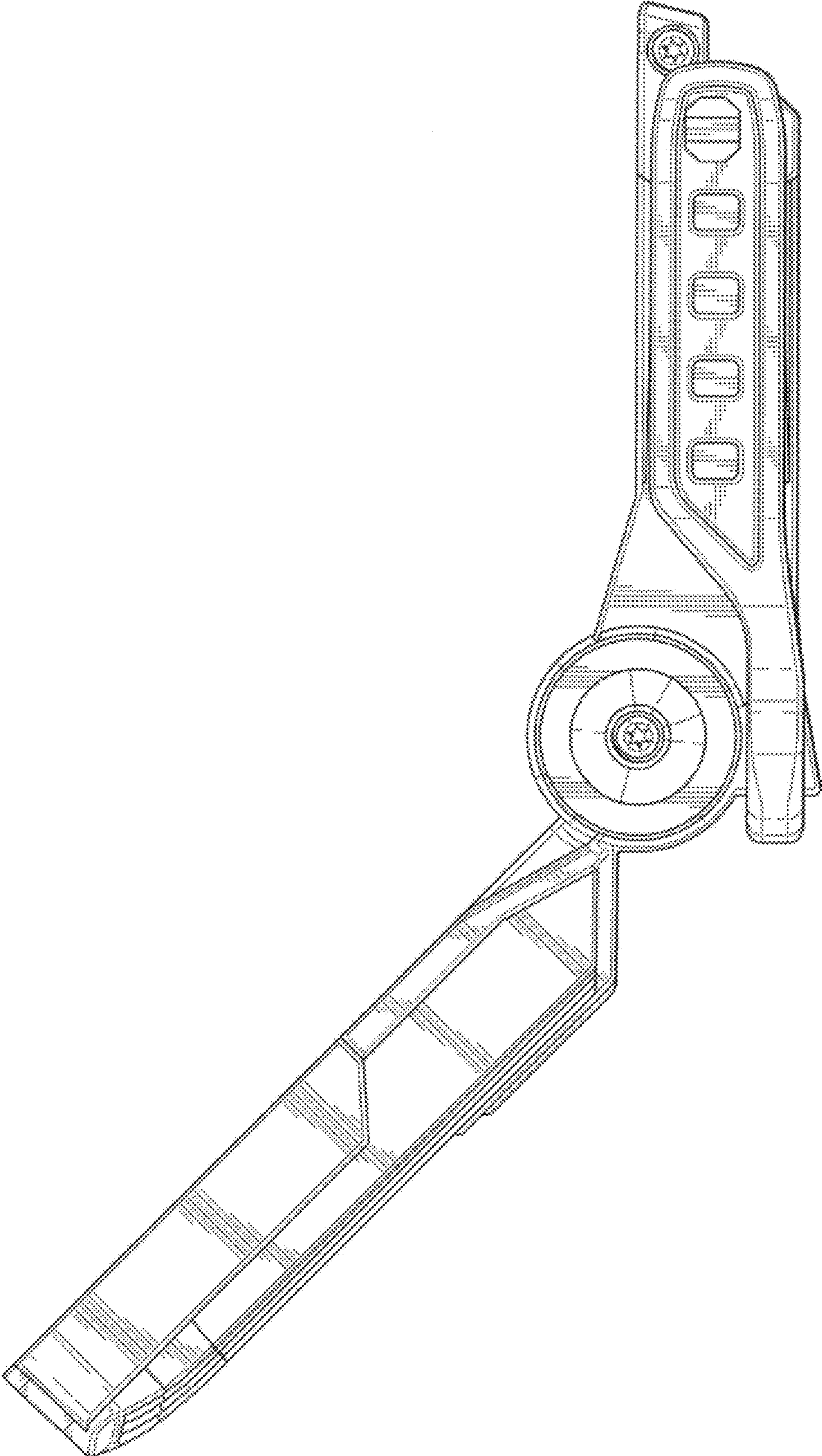


Fig.3

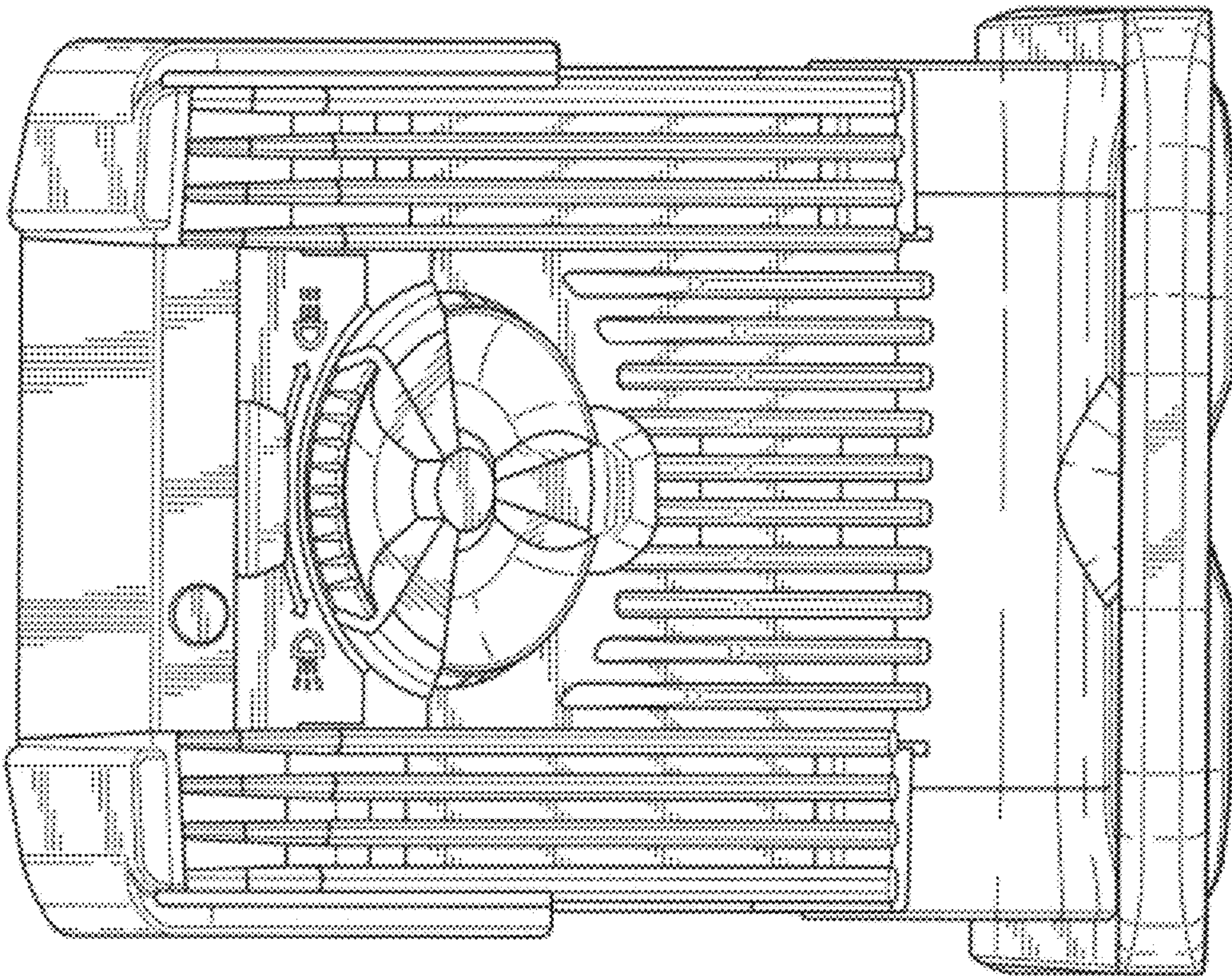


Fig.4

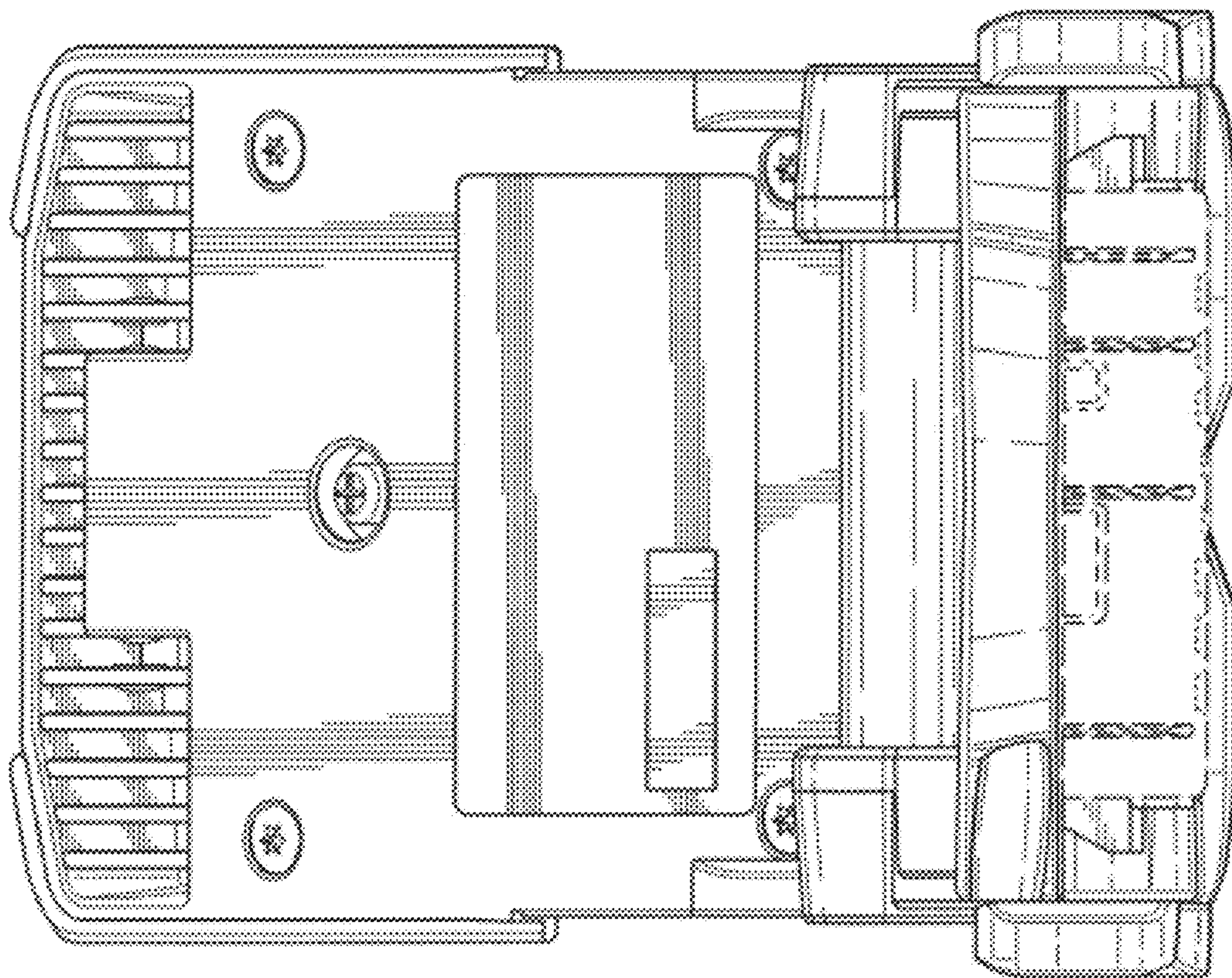


Fig. 5

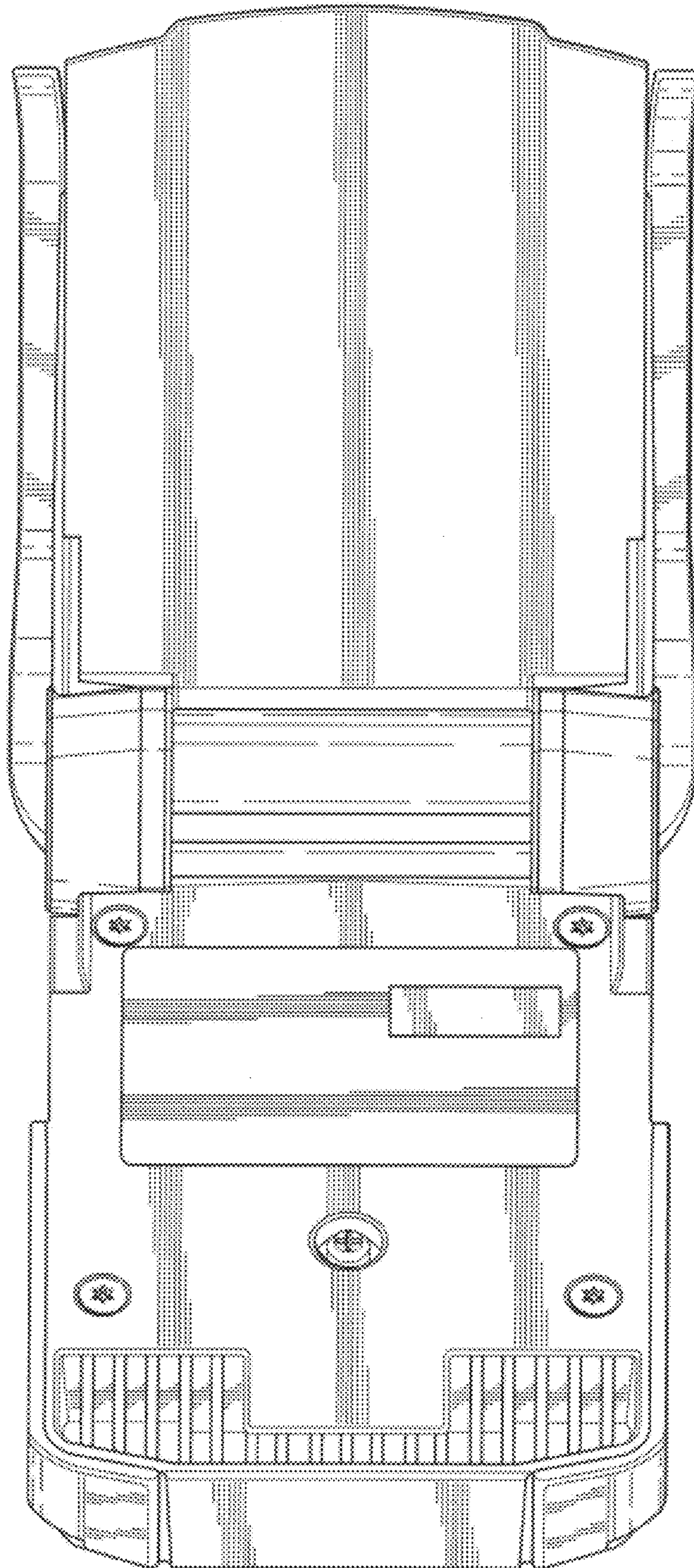


Fig. 6

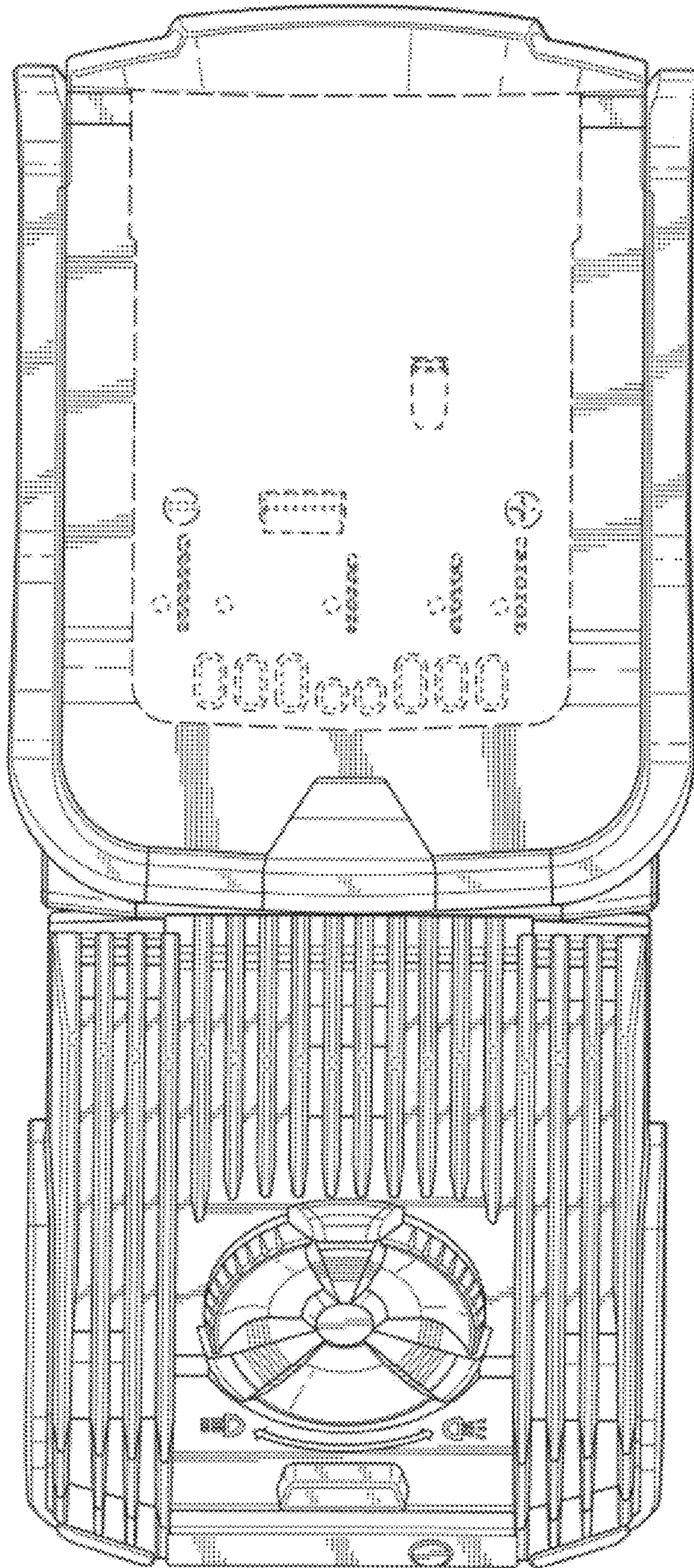
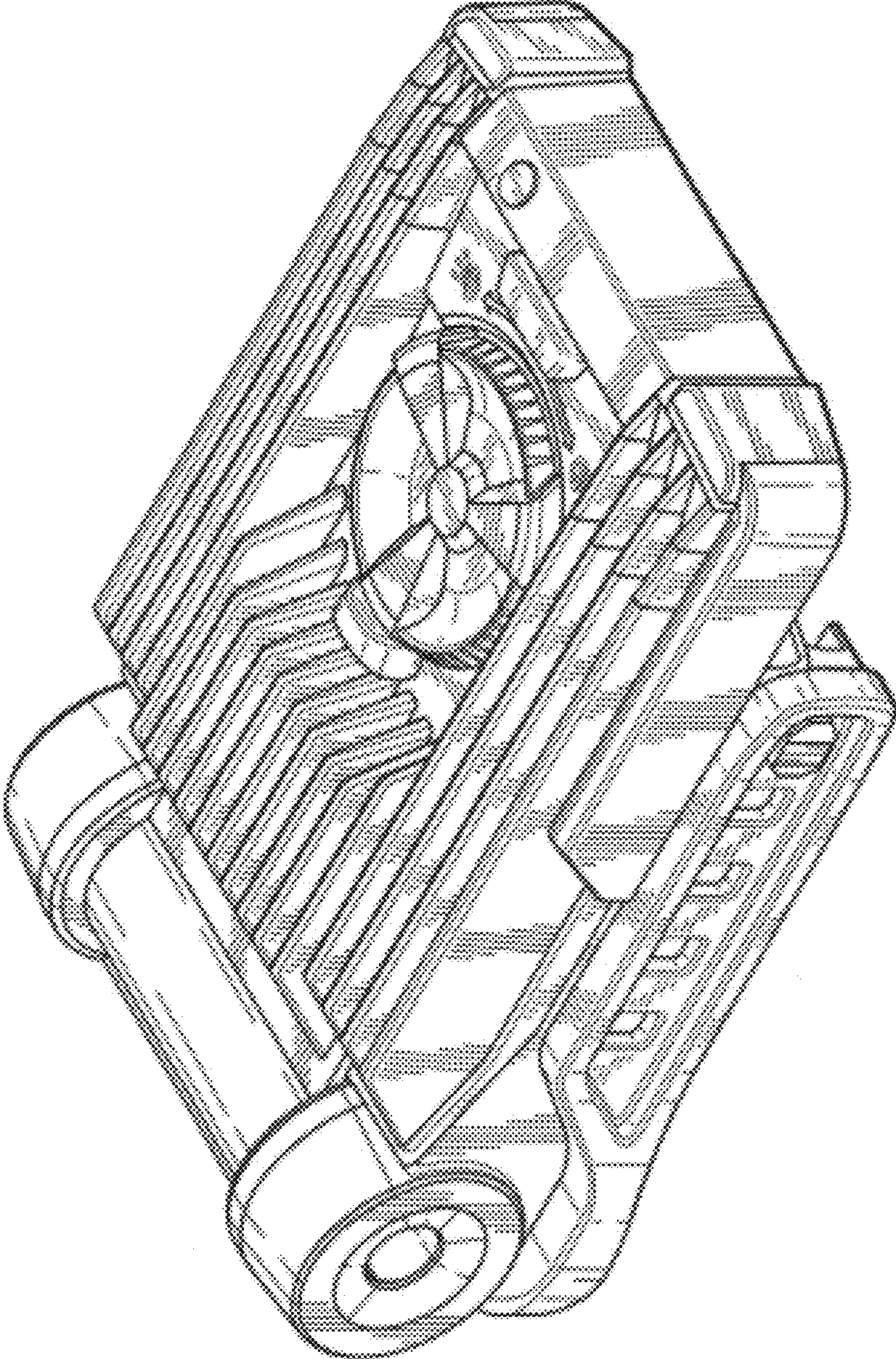


Fig. 7

Fig. 8



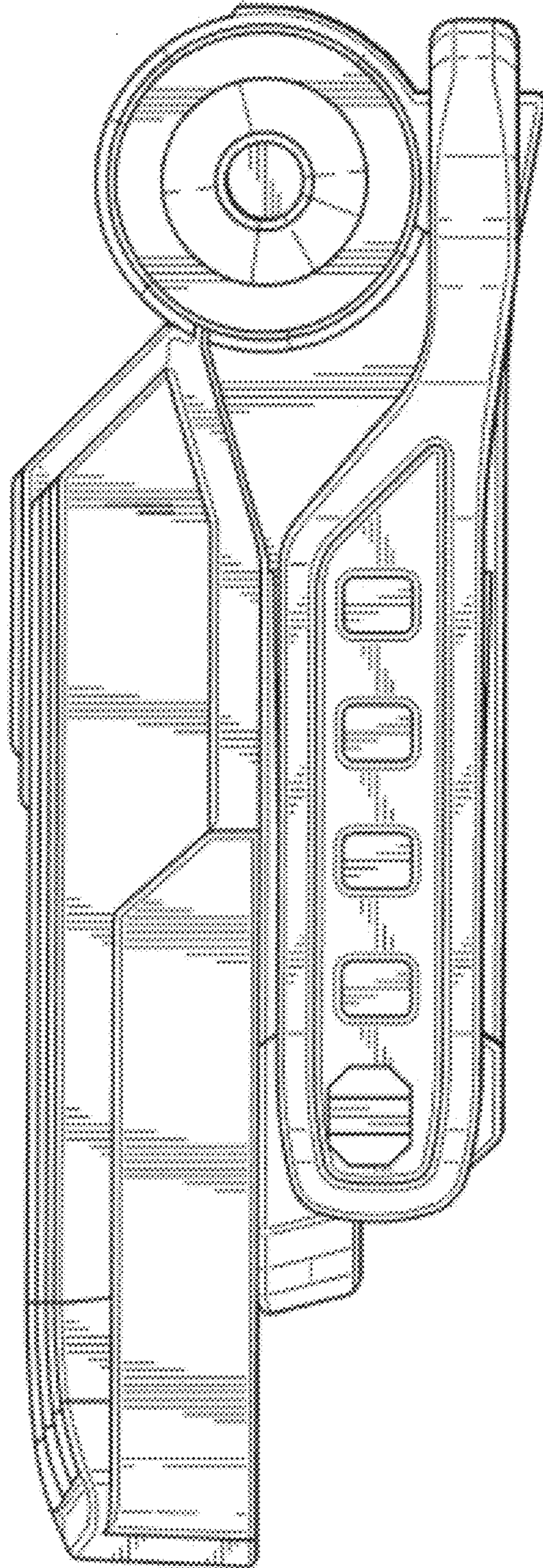


Fig. 9

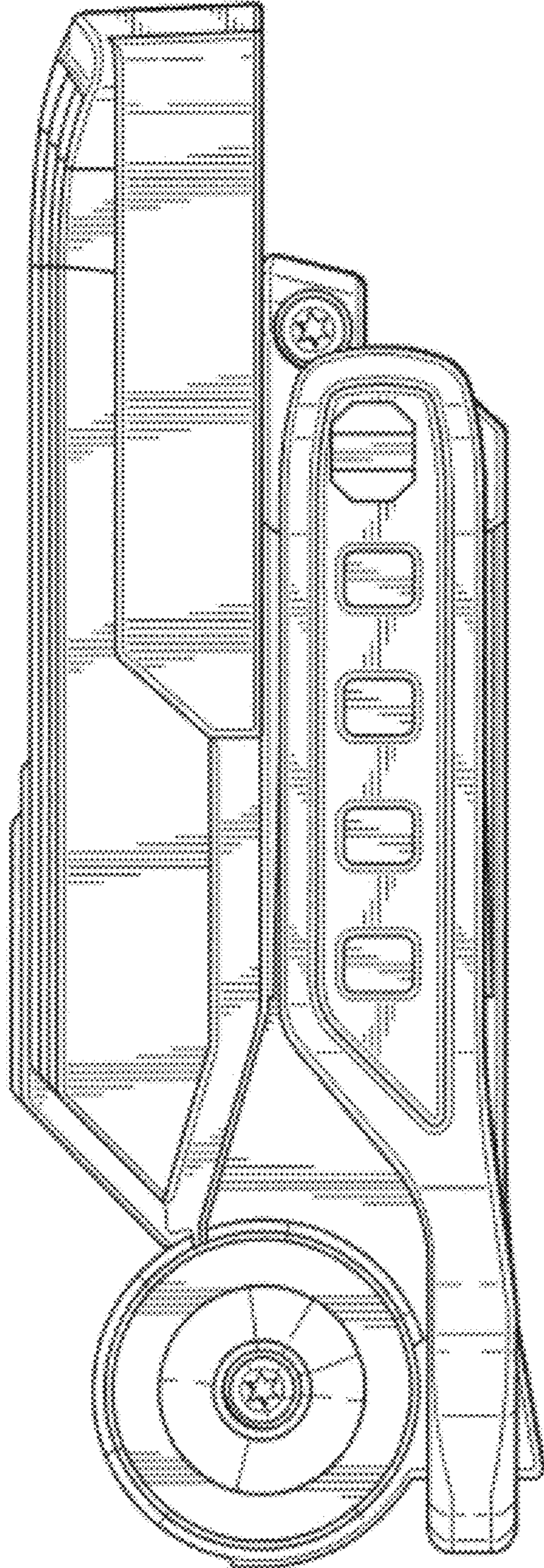


Fig. 10

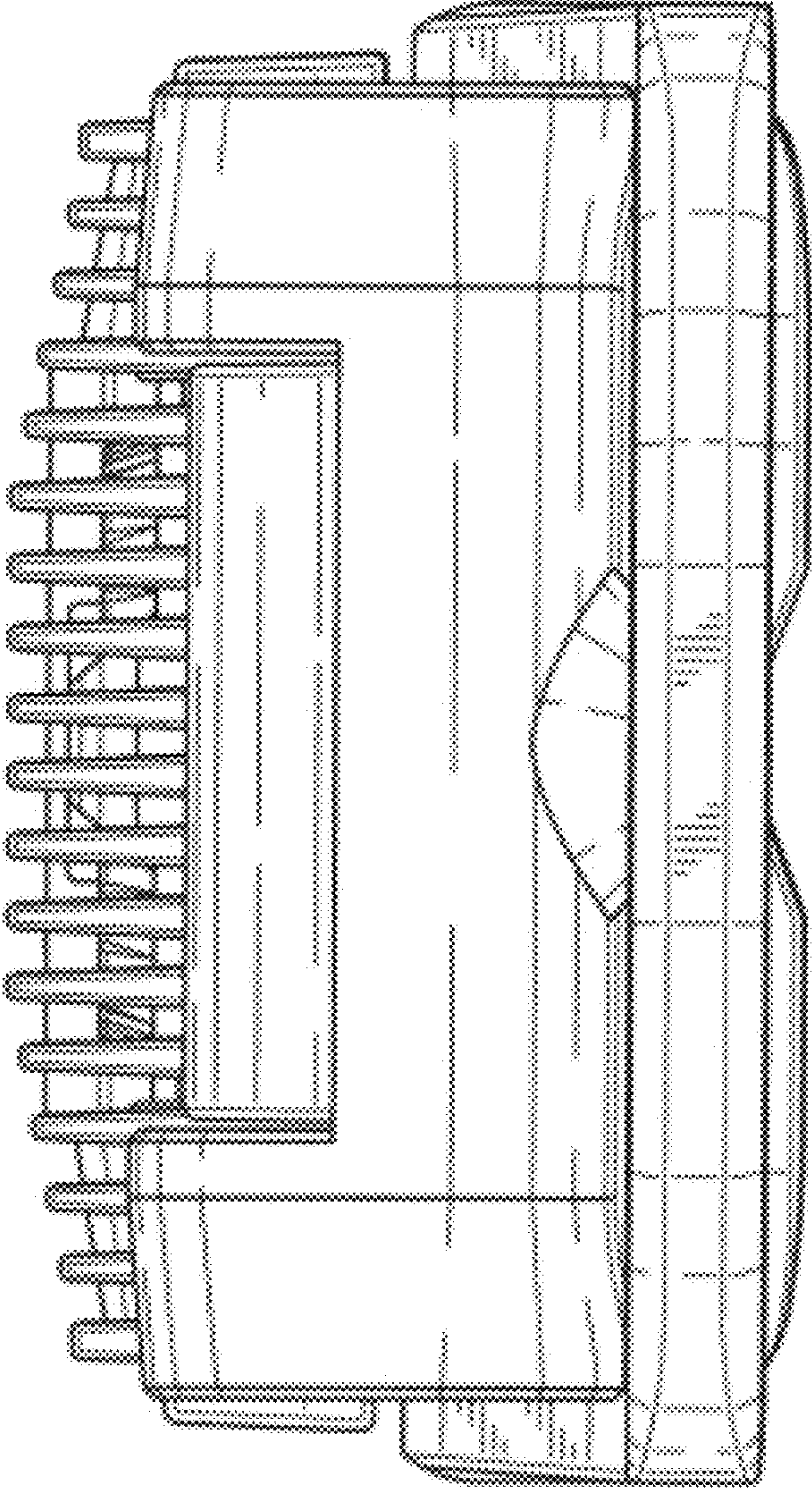


Fig. 11

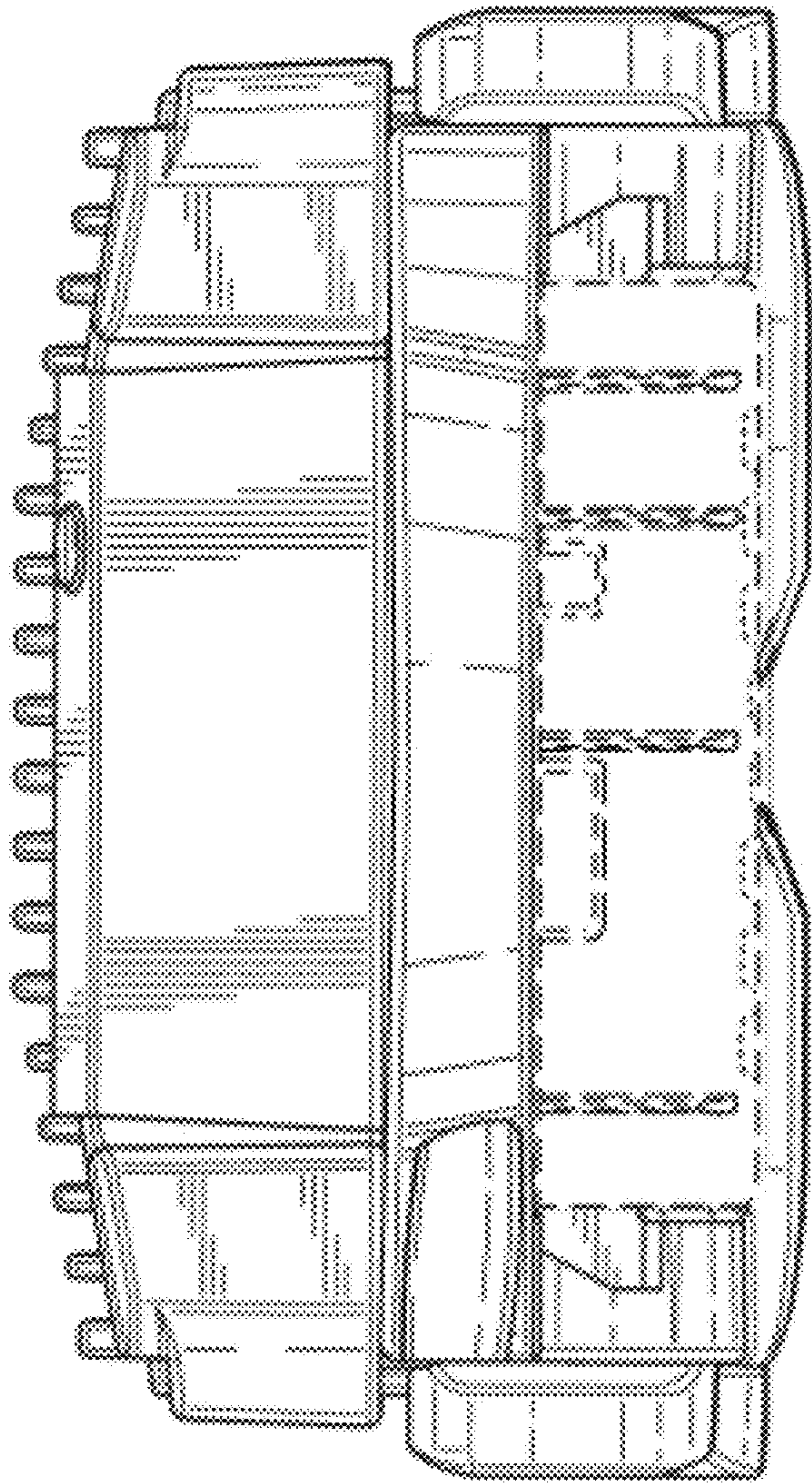


Fig. 12

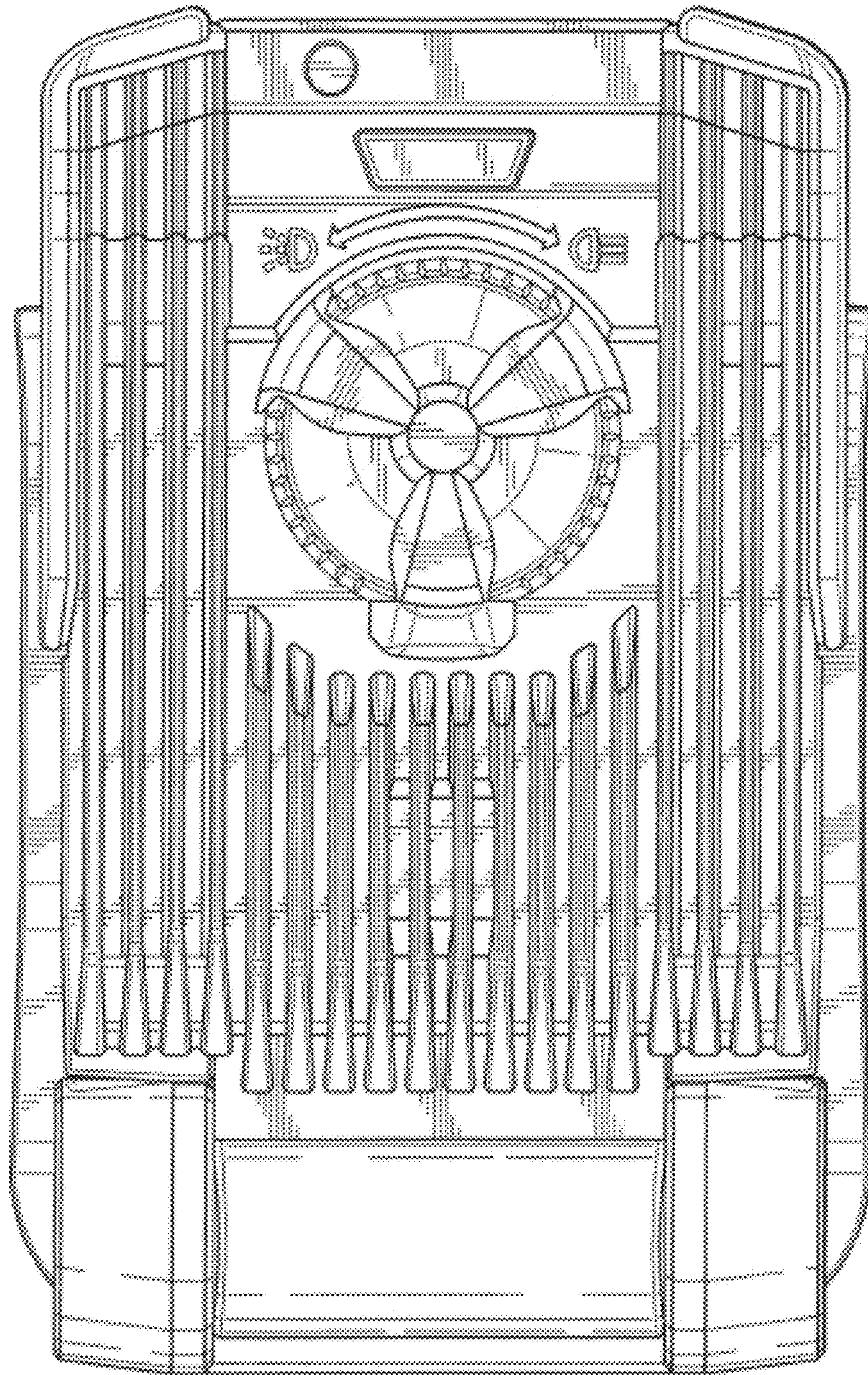


Fig. 13

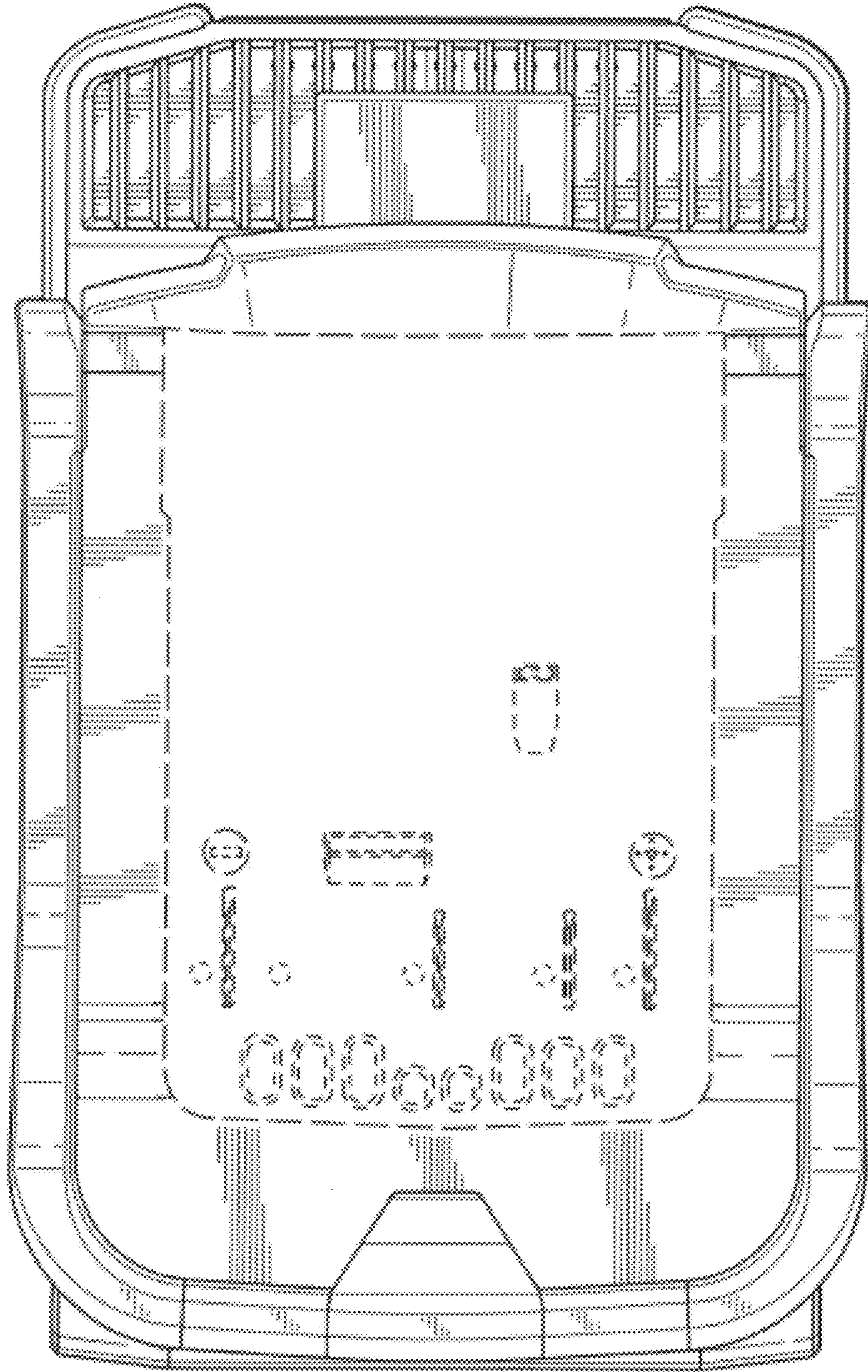


Fig.14