

US00D665521S

(12) **United States Design Patent**  
**Werner et al.**

(10) **Patent No.:** **US D665,521 S**  
(45) **Date of Patent:** **\*\* Aug. 14, 2012**

(54) **BATTERY LAMP**

(75) Inventors: **Uwe Werner**, Uitikon (CH); **Marco Stoffel**, Zurich (CH); **Tom Staeubli**, Zurich (CH); **Arno Lenzi**, Zurich (CH)

(73) Assignee: **Robert Bosch GmbH**, Stuttgart (DE)

(\*\*) Term: **14 Years**

(21) Appl. No.: **29/385,470**

(22) Filed: **Feb. 15, 2011**

(30) **Foreign Application Priority Data**

Aug. 17, 2010 (EM) ..... 001743923

(51) **LOC (9) Cl.** ..... **26-02**

(52) **U.S. Cl.** ..... **D26/37**

(58) **Field of Classification Search** ..... D26/37,  
D26/38, 39, 40, 45, 46, 49, 51, 52; 362/157,  
362/158, 183, 184, 190, 194-196, 202-208,  
362/253

See application file for complete search history.

(56) **References Cited**

**U.S. PATENT DOCUMENTS**

D553,280 S *	10/2007	Krieger et al.	.....	D26/44
D553,771 S *	10/2007	Watson et al.	.....	D26/37
D556,353 S *	11/2007	Gebhard et al.	.....	D26/48
D558,369 S *	12/2007	O'Hern	.....	D26/42
D593,236 S *	5/2009	Ng et al.	.....	D26/37
D614,334 S *	4/2010	Thomson et al.	.....	D26/38

D623,784 S *	9/2010	Yamamoto	.....	D26/45
D638,152 S *	5/2011	Leung	.....	D26/40
D643,138 S *	8/2011	Kawase et al.	.....	D26/37
2006/0146523 A1 *	7/2006	Yuen	.....	362/183

\* cited by examiner

*Primary Examiner* — Stella Reid

*Assistant Examiner* — Carissa C Fitts

(74) *Attorney, Agent, or Firm* — Maginot, Moore & Beck

(57) **CLAIM**

The ornamental design for a battery lamp, as shown and described.

**DESCRIPTION**

FIG. 1 is a perspective view of a battery lamp showing our new design;

FIG. 2 is left side elevational view showing the design for the battery lamp of FIG. 1;

FIG. 3 is a right side elevational view showing the design for the battery lamp of FIG. 1;

FIG. 4 is a rear elevational view showing the design for the battery lamp of FIG. 1;

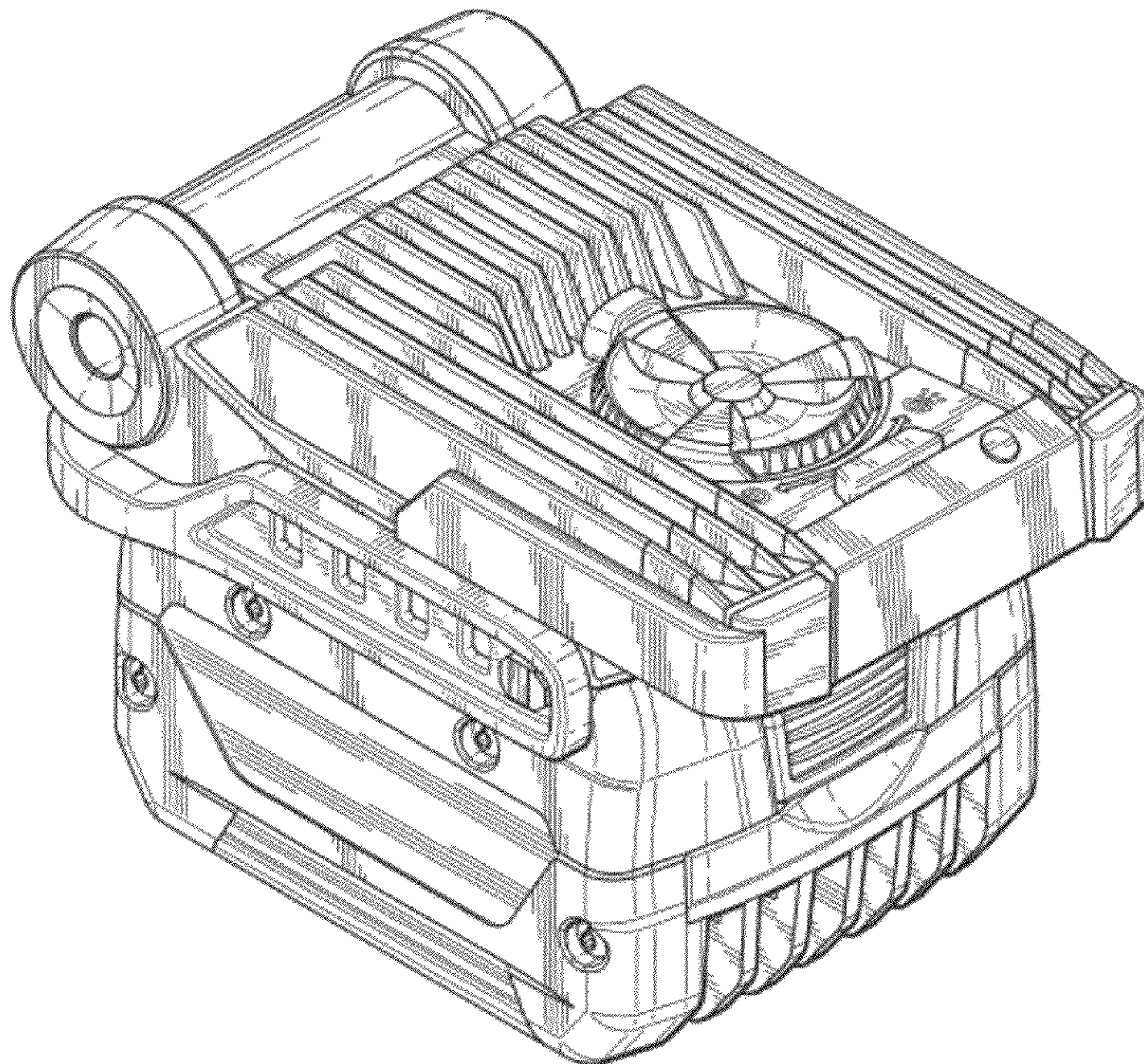
FIG. 5 is a front elevational view showing the design for the battery lamp of FIG. 1;

FIG. 6 is a top elevational view showing the design for the battery lamp of FIG. 1; and,

FIG. 7 is a bottom elevational view showing the design for the battery lamp of FIG. 1.

The broken line showing of portions of the battery lamp in the drawings is included for illustrative purposes only and forms no part of the claimed design.

**1 Claim, 7 Drawing Sheets**





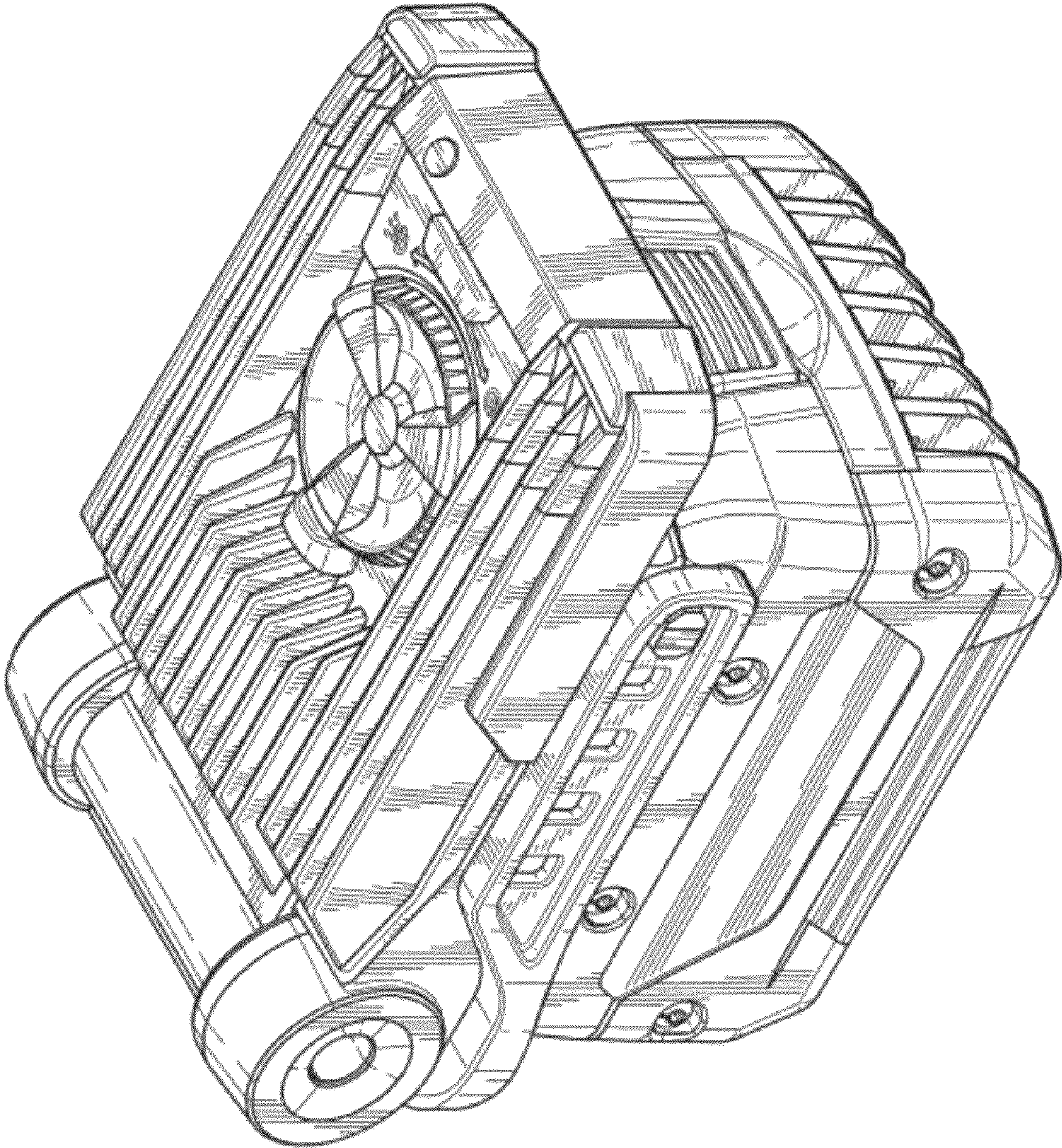
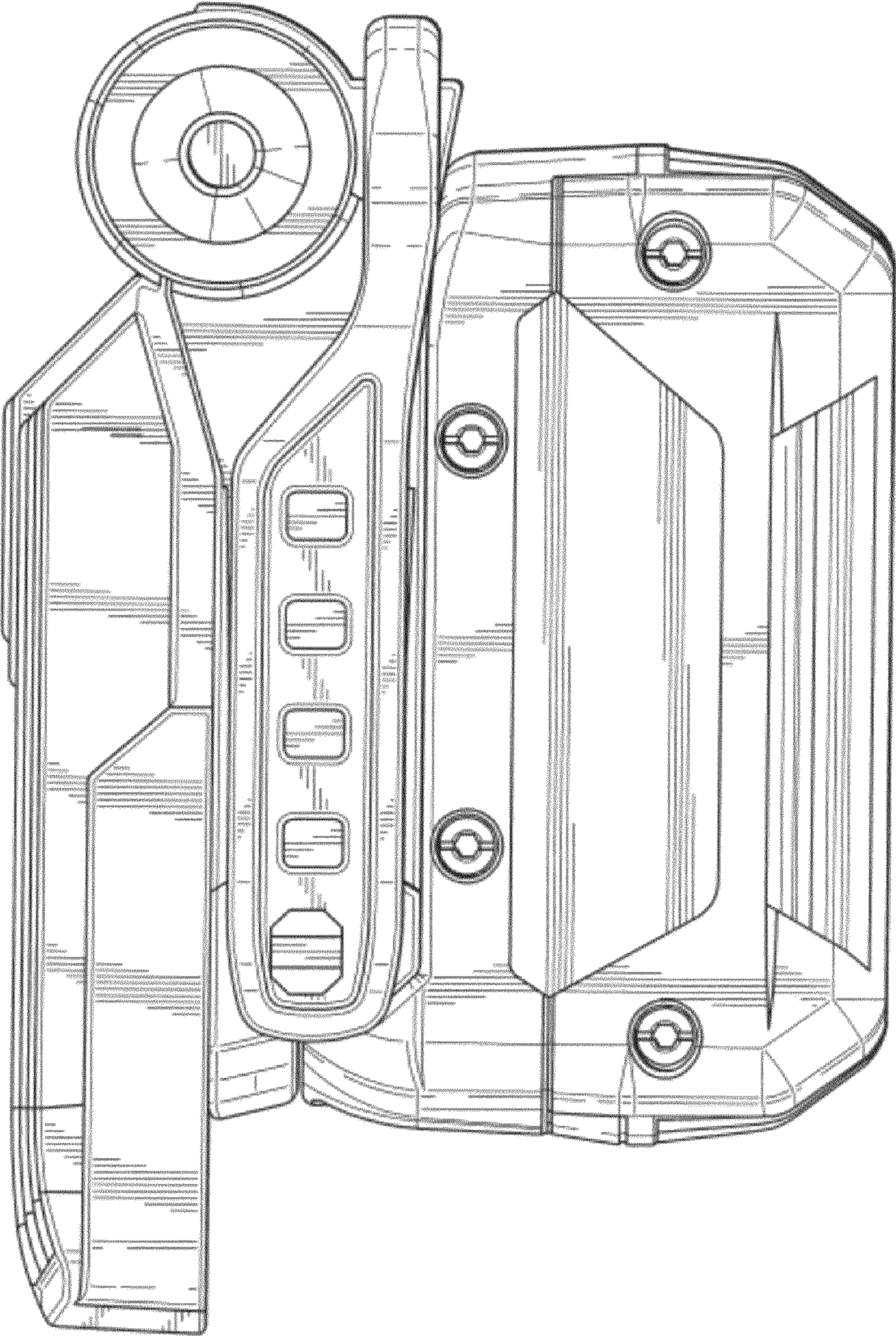


Fig.1



Fig. 2





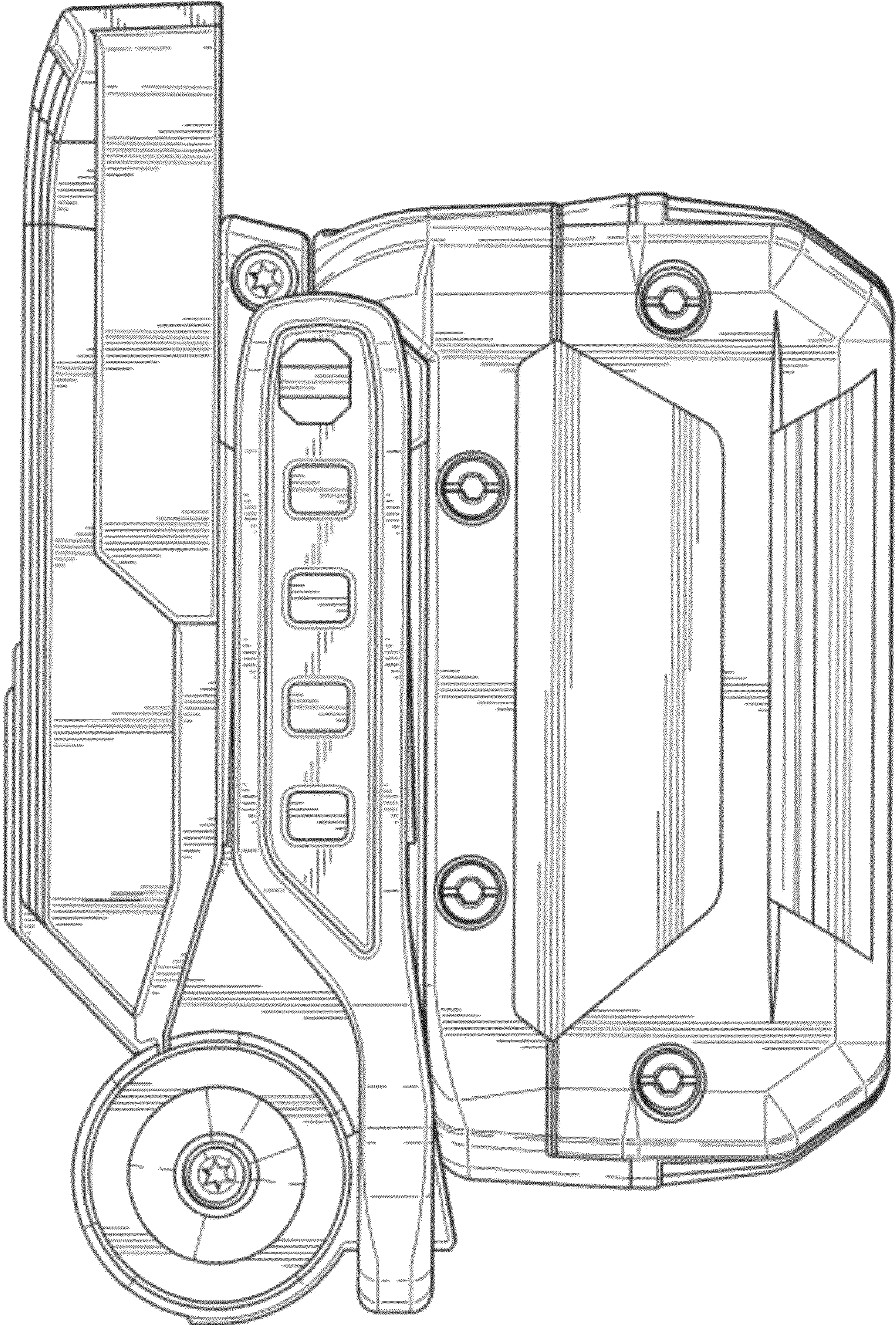


Fig. 3



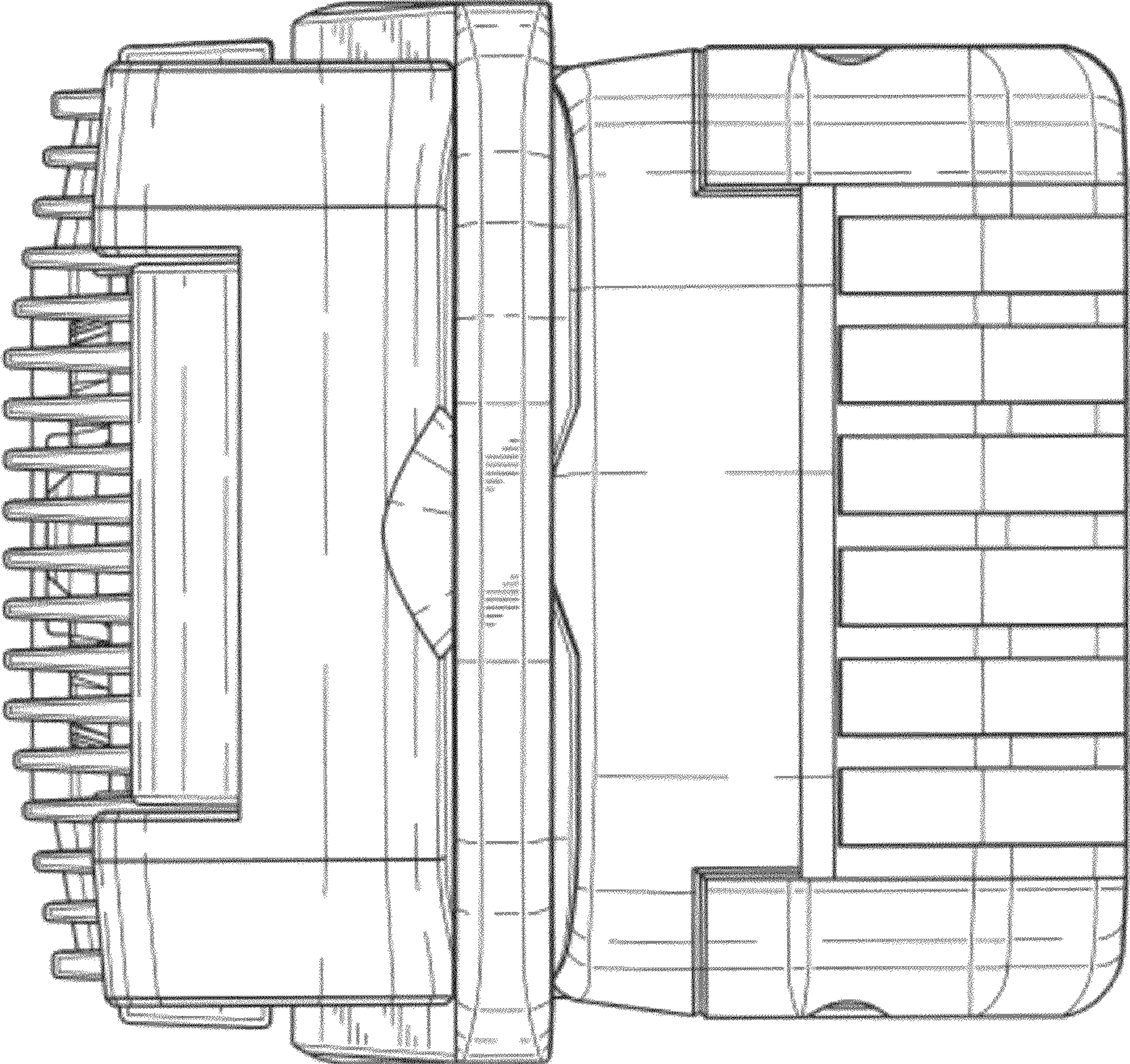


Fig.4



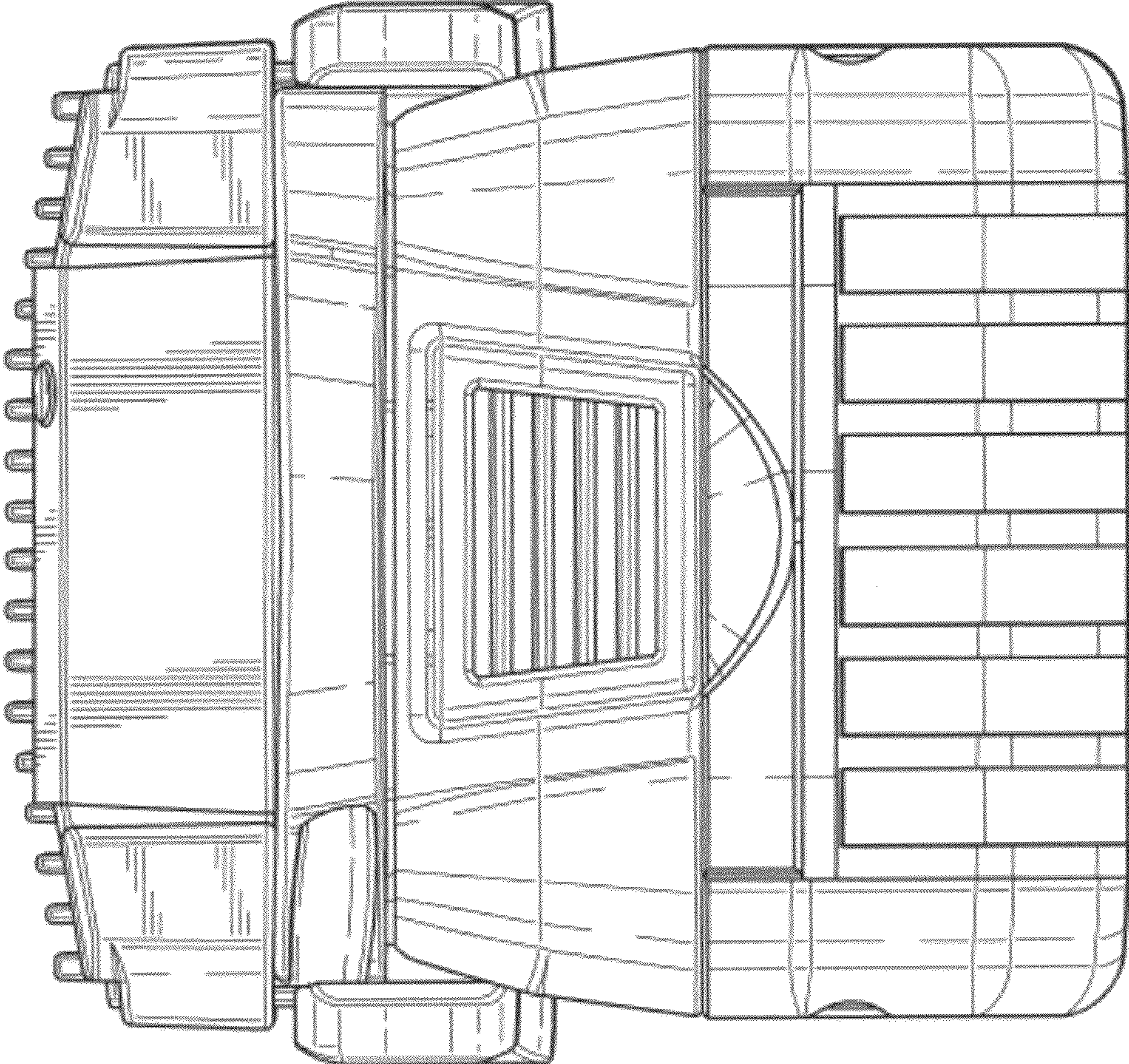


Fig.5



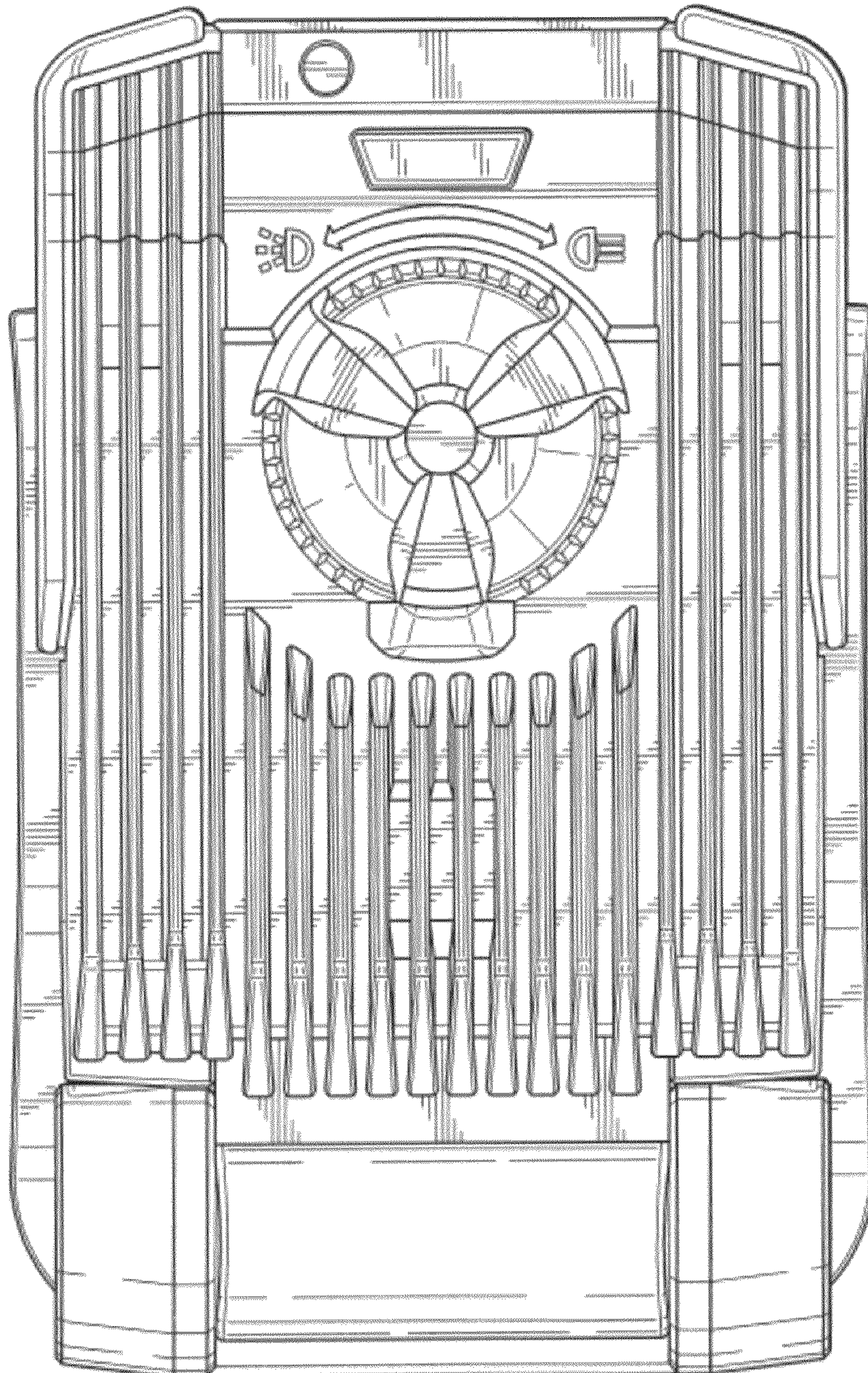


Fig.6



Fig.7

