

US00D665520S

(12) **United States Design Patent**
Breidenassel et al.

(10) **Patent No.:** **US D665,520 S**
(45) **Date of Patent:** **** Aug. 14, 2012**

(54) **LED LAMP**

(75) Inventors: **Nicole Breidenassel**, Regensburg (DE);
Klaus Eckert, Herbrechtingen (DE);
Johannes Hoechtl, Eichstaett (DE);
Markus Hofmann, Bad Abbach (DE)

(73) Assignee: **OSRAM AG**, Munich (DE)

(**) Term: **14 Years**

(21) Appl. No.: **29/402,100**

(22) Filed: **Sep. 21, 2011**

(30) **Foreign Application Priority Data**

Mar. 22, 2011 (EM) 001839150

(51) **LOC (9) Cl.** **26-04**

(52) **U.S. Cl.** **D26/2**

(58) **Field of Classification Search** D26/1-4;
313/313, 315, 316, 317, 318, 493; 315/52,
315/53, 56, 57, 58

See application file for complete search history.

(56) **References Cited**

U.S. PATENT DOCUMENTS

D581,556 S * 11/2008 To et al. D26/2

D590,523 S * 4/2009 Takahashi D26/2
D600,367 S * 9/2009 Bertram et al. D26/2
D600,368 S * 9/2009 Bertram et al. D26/2
D619,739 S * 7/2010 Hofmann et al. D26/2
D623,778 S * 9/2010 Moon et al. D26/2
D630,349 S * 1/2011 Pei et al. D26/2
D634,031 S * 3/2011 de Visser et al. D26/2
D648,452 S * 11/2011 Breidenassel et al. D26/2

* cited by examiner

Primary Examiner — Marcus Jackson

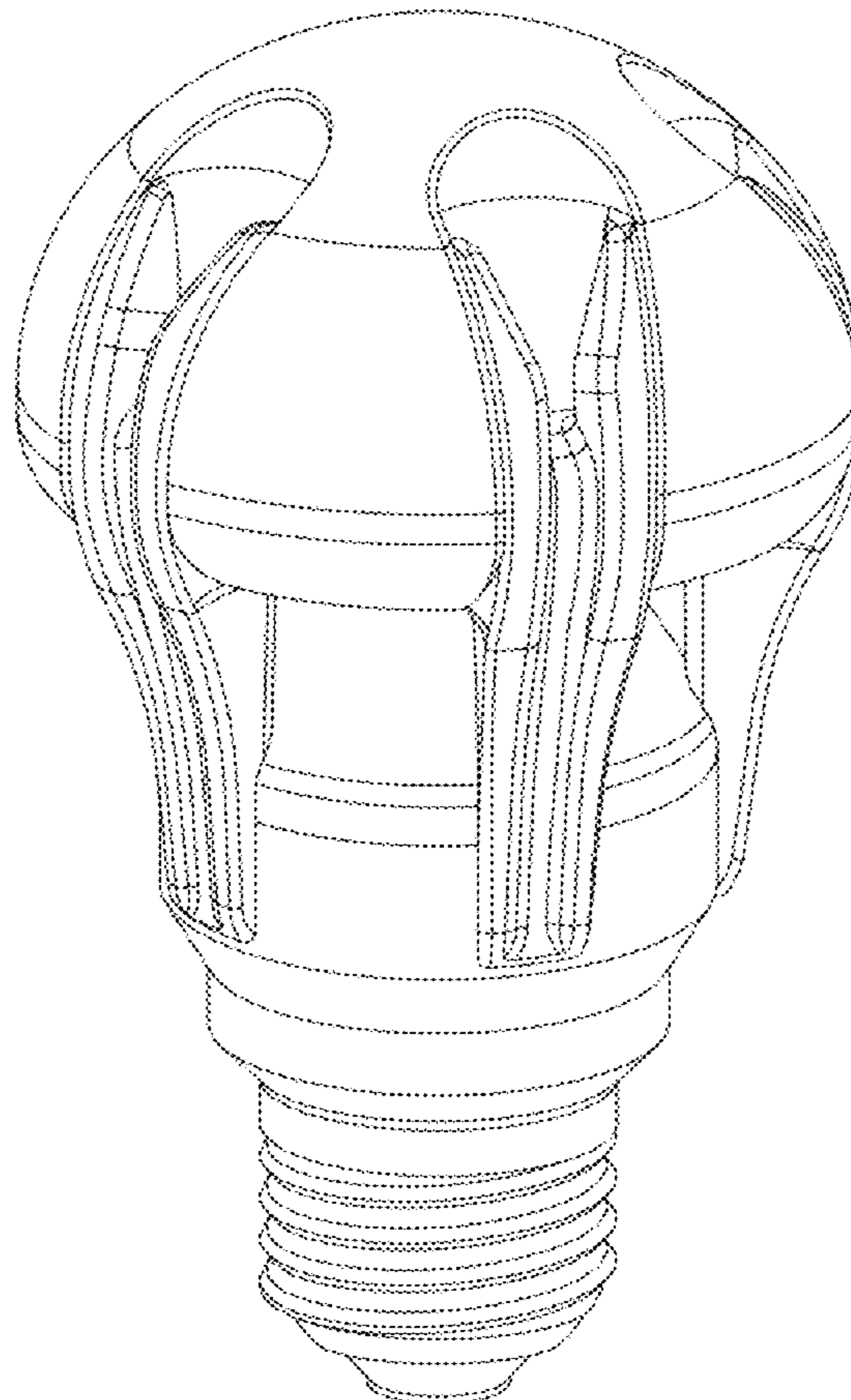
(57) **CLAIM**

The ornamental design for an LED lamp, as shown and described.

DESCRIPTION

FIG. 1 is a perspective view of an LED lamp;
FIG. 2 is a front view of the LED lamp;
FIG. 3 is a right side view of the LED lamp;
FIG. 4 is a back view of the LED lamp;
FIG. 5 is a left view of the LED lamp;
FIG. 6 is a top view of the LED lamp; and,
FIG. 7 is a bottom view of the LED lamp.

1 Claim, 7 Drawing Sheets



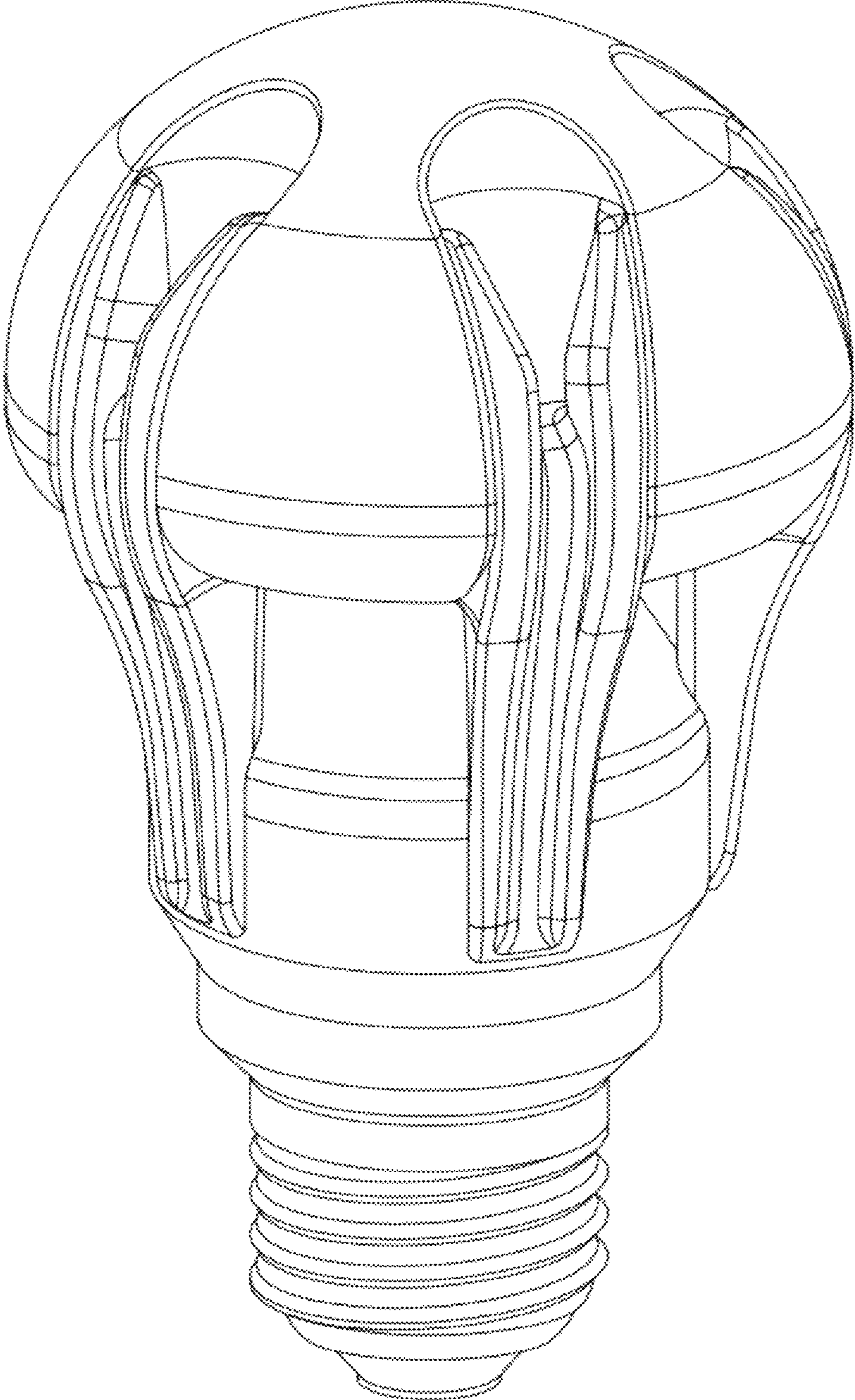


FIG 1

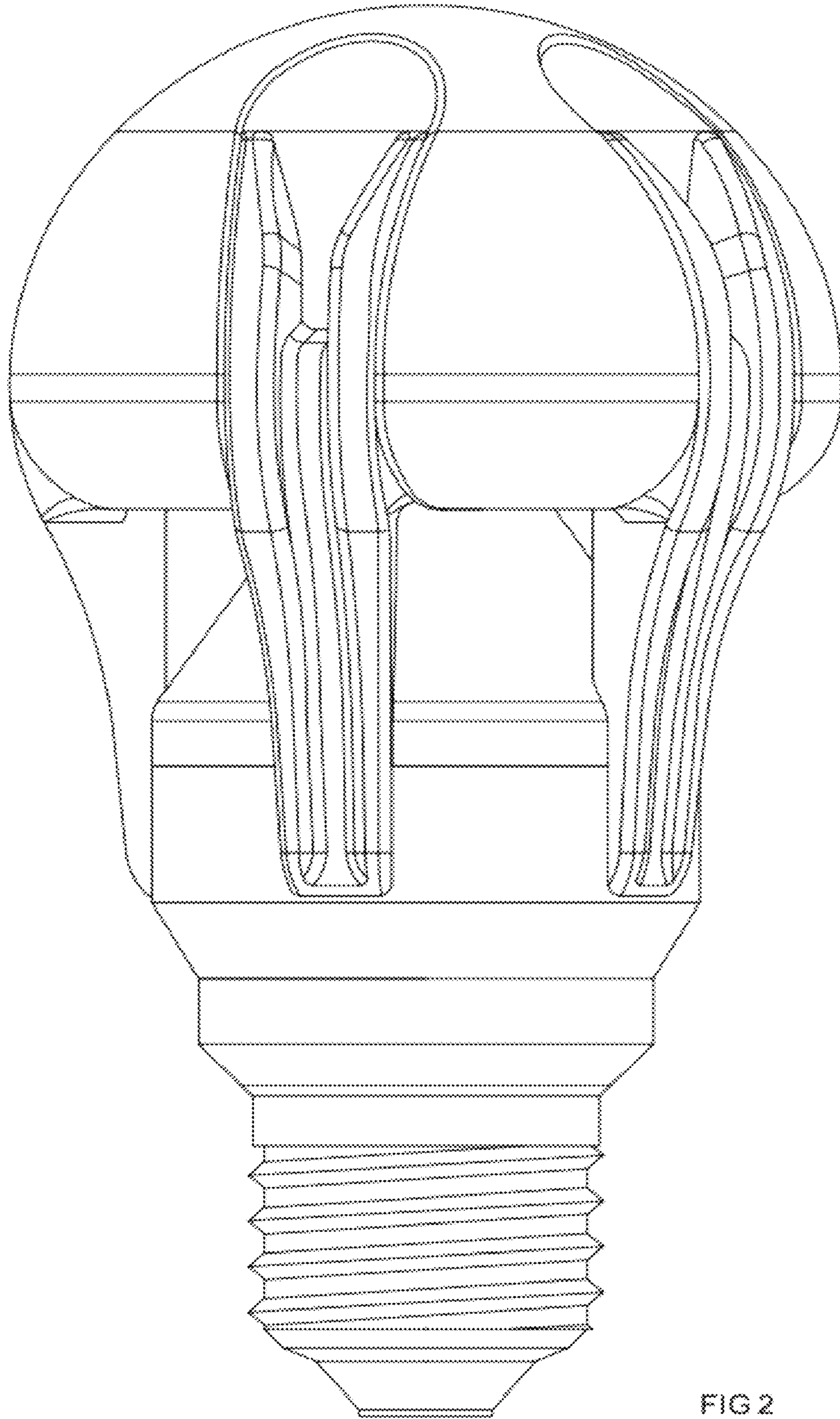


FIG 2

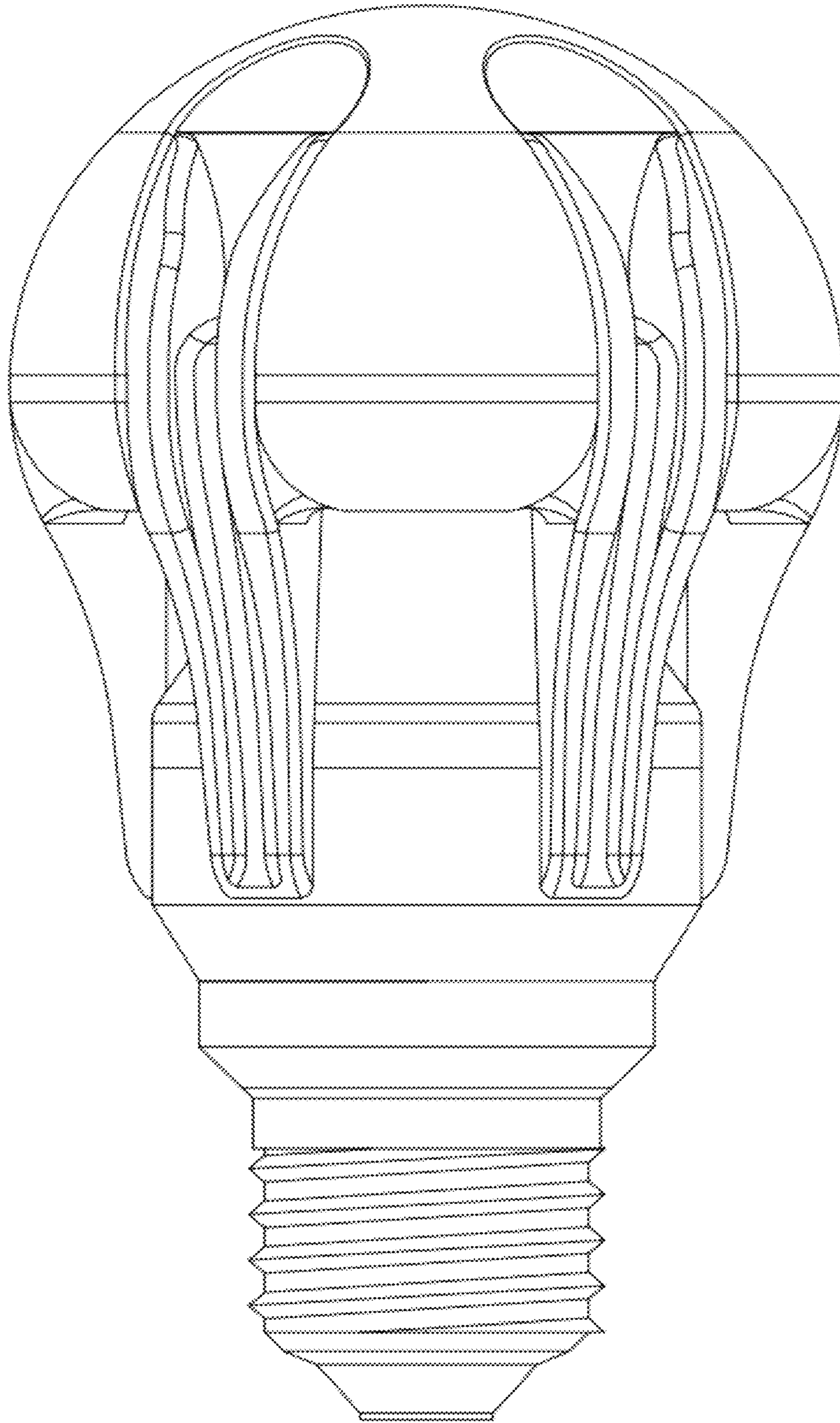


FIG 3

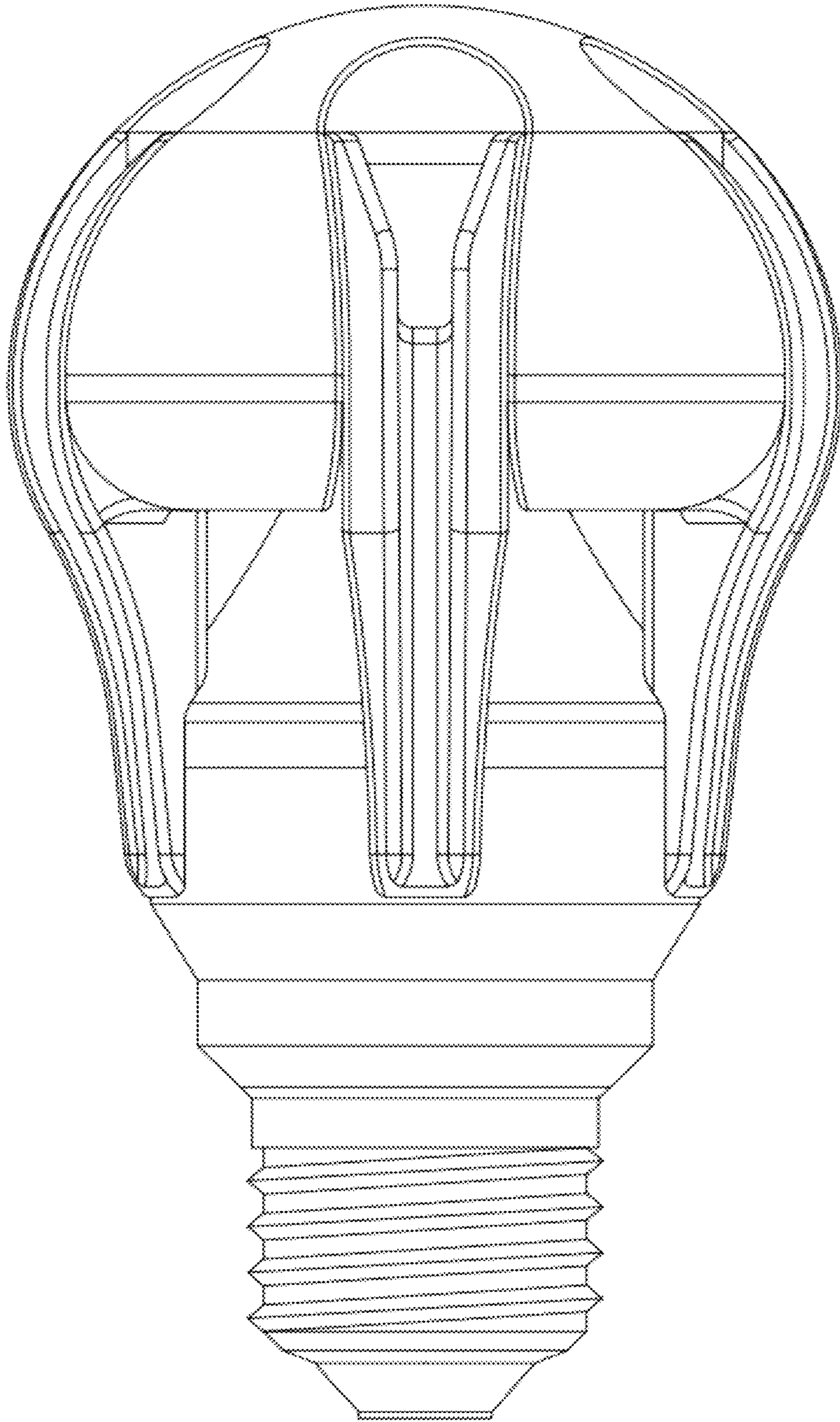


FIG 4

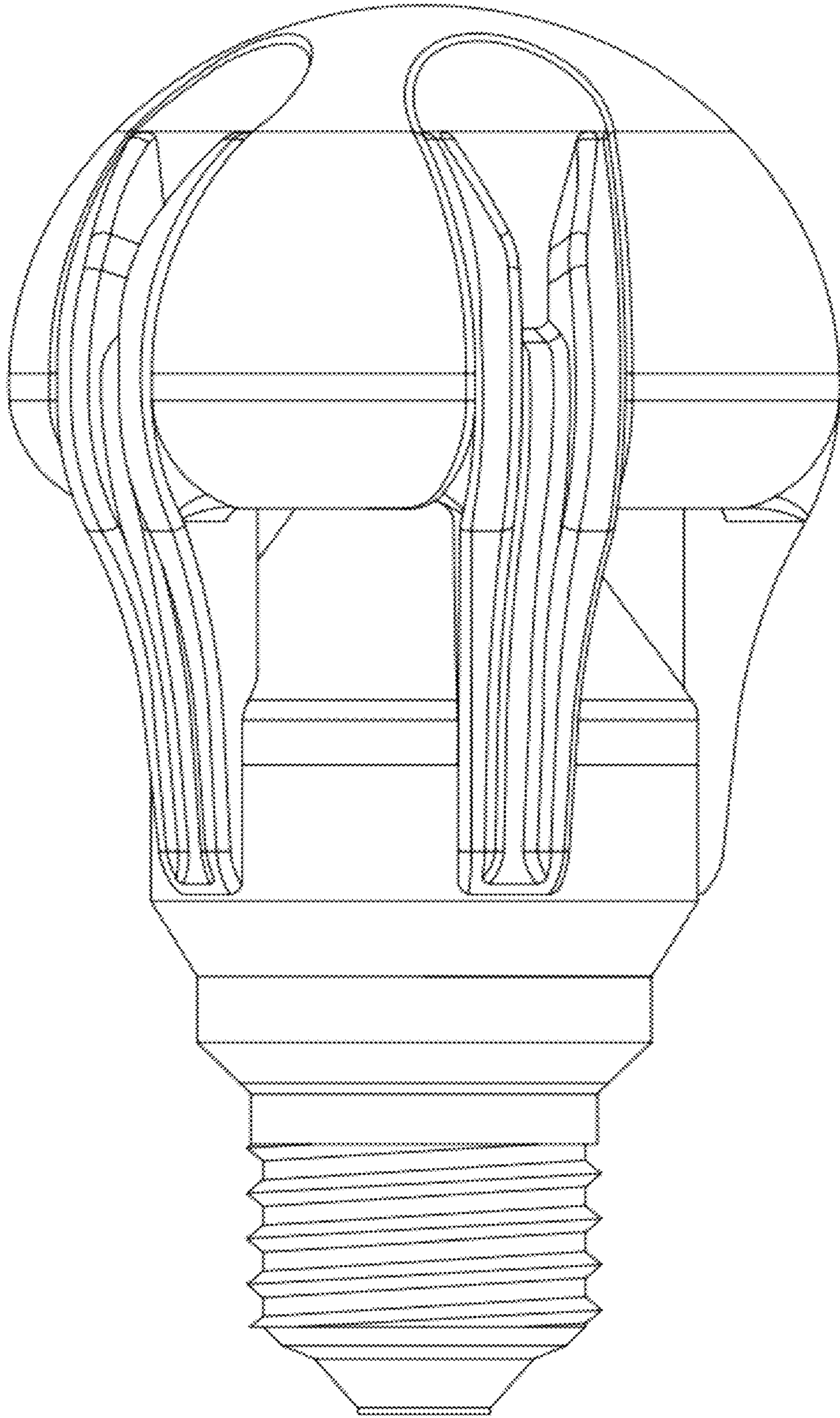


FIG 5

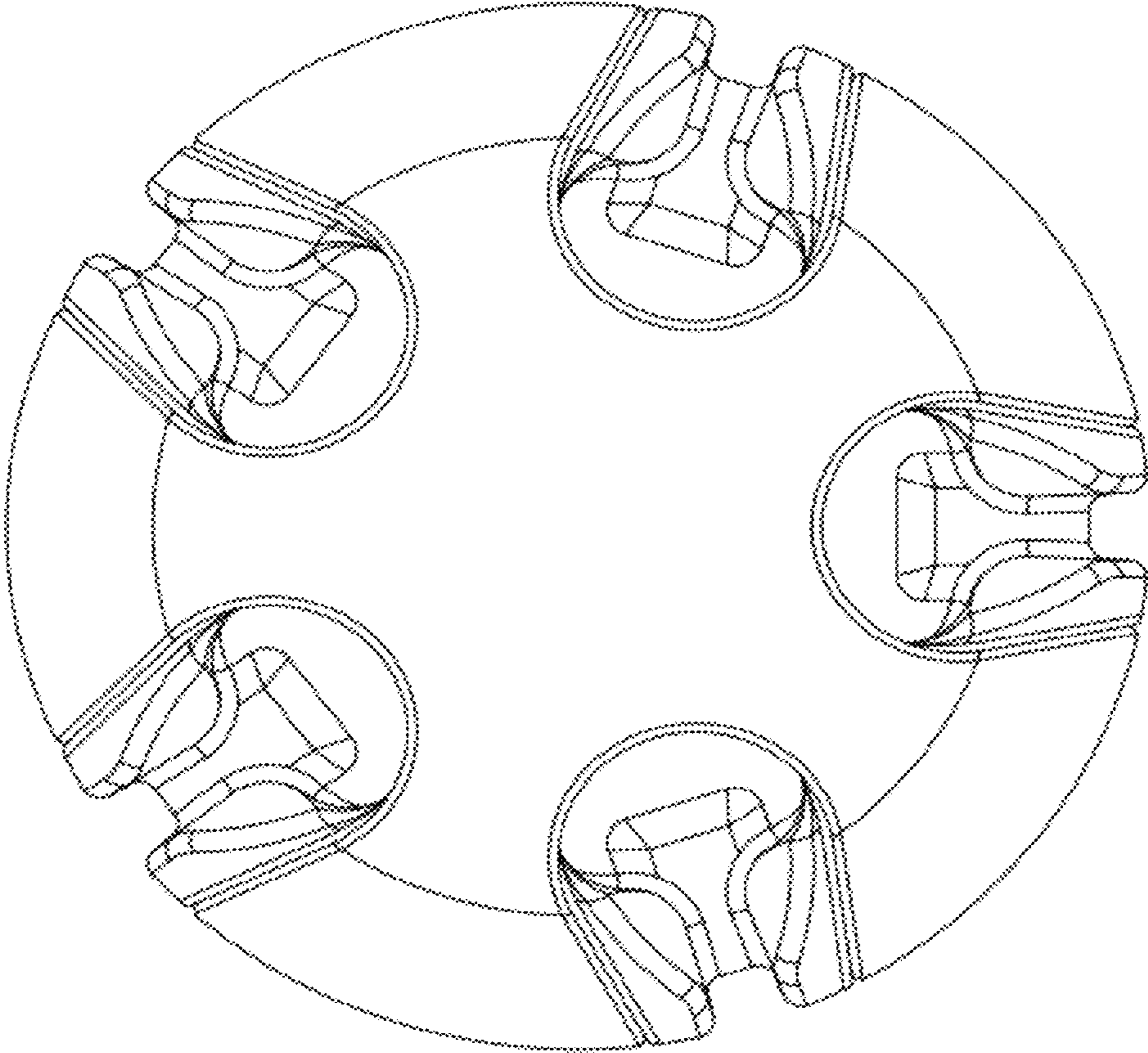


FIG 6

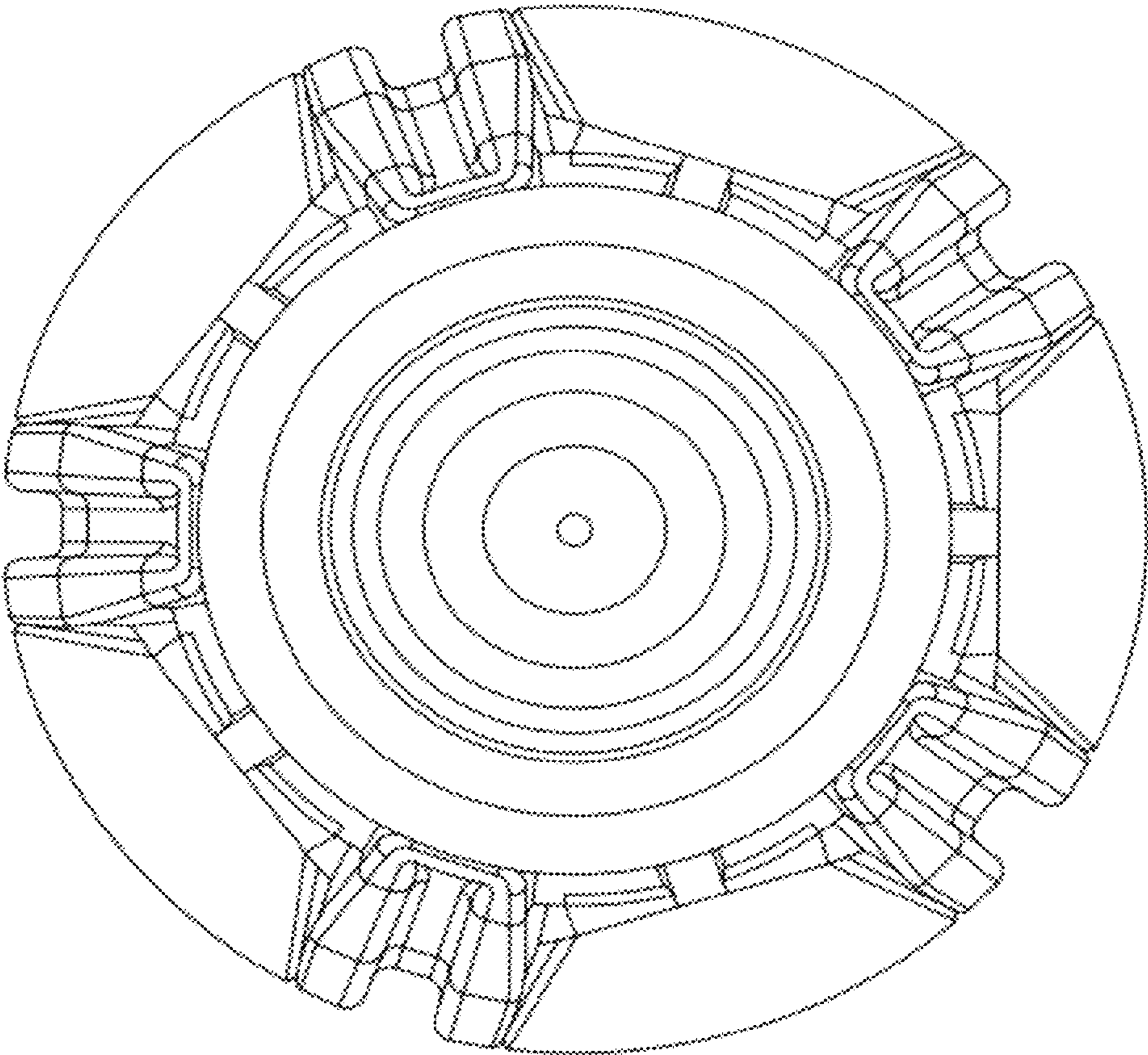


FIG 7