

US00D665514S

(12) **United States Design Patent**  
**MacDonald**

(10) **Patent No.:** **US D665,514 S**  
(45) **Date of Patent:** **\*\* Aug. 14, 2012**

- (54) **LANDSCAPING BLOCK**
- (75) Inventor: **Robert A. MacDonald**, Plymouth, MN (US)
- (73) Assignee: **Keystone Retaining Wall Systems, Inc.**, Bloomington, MN (US)
- (\*\*) Term: **14 Years**
- (21) Appl. No.: **29/403,300**
- (22) Filed: **Oct. 4, 2011**

**Related U.S. Application Data**

- (62) Division of application No. 29/386,365, filed on Feb. 28, 2011, now Pat. No. Des. 647,219.
- (51) **LOC (9) Cl.** ..... **25-01**
- (52) **U.S. Cl.** ..... **D25/113**
- (58) **Field of Classification Search** ..... D25/102-118, D25/136, 138, 140, 151, 152, 153, 156-162, D25/164; D21/484-491, 499-504; 405/16, 405/284, 286; 52/503-505, 574, 575, 596-612; 404/27-42

See application file for complete search history.

(56) **References Cited**

**U.S. PATENT DOCUMENTS**

1,385,299	A	7/1921	Bilque
D319,885	S	9/1991	Blomquist et al.
D321,060	S	10/1991	Blomquist et al.
5,161,918	A	11/1992	Hodel
D341,215	S	11/1993	Blomquist et al.
D346,667	S	5/1994	Blomquist et al.
D347,070	S	5/1994	Anderson et al.
D352,789	S	11/1994	Adam
5,568,994	A	10/1996	Dawson
5,595,460	A	1/1997	Miller et al.
5,601,384	A	2/1997	Dawson
5,619,835	A	4/1997	Bailey, II et al.
D381,086	S	7/1997	Forsberg
D384,168	S	9/1997	Stevenson

D387,434	S	12/1997	Dawson
D397,230	S	8/1998	Forsberg
5,865,006	A	2/1999	Dawson
5,913,790	A	6/1999	Dawson
5,984,589	A	11/1999	Ciccarello
6,019,550	A	2/2000	Wrigley et al.
6,035,599	A	3/2000	Sonnentag
6,149,352	A	11/2000	MacDonald
D452,332	S	12/2001	Blomquist et al.
D458,387	S	6/2002	Blomquist et al.
D464,149	S *	10/2002	Risi et al. .... D25/113
D467,009	S *	12/2002	Agee ..... D25/113
6,488,448	B1	12/2002	Blomquist et al.
6,536,994	B2	3/2003	Race
6,615,561	B2	9/2003	MacDonald et al.
6,637,981	B2	10/2003	MacDonald
6,821,058	B1	11/2004	Dawson
D501,935	S	2/2005	Dawson et al.
6,854,231	B2	2/2005	MacDonald et al.

(Continued)

**OTHER PUBLICATIONS**

U.S. Appl. No. 29/366,124, filed Jul. 20, 2010 (59 pages).

*Primary Examiner* — Anhdao Doan

(74) *Attorney, Agent, or Firm* — Popovich, Wiles & O'Connell, P.A.

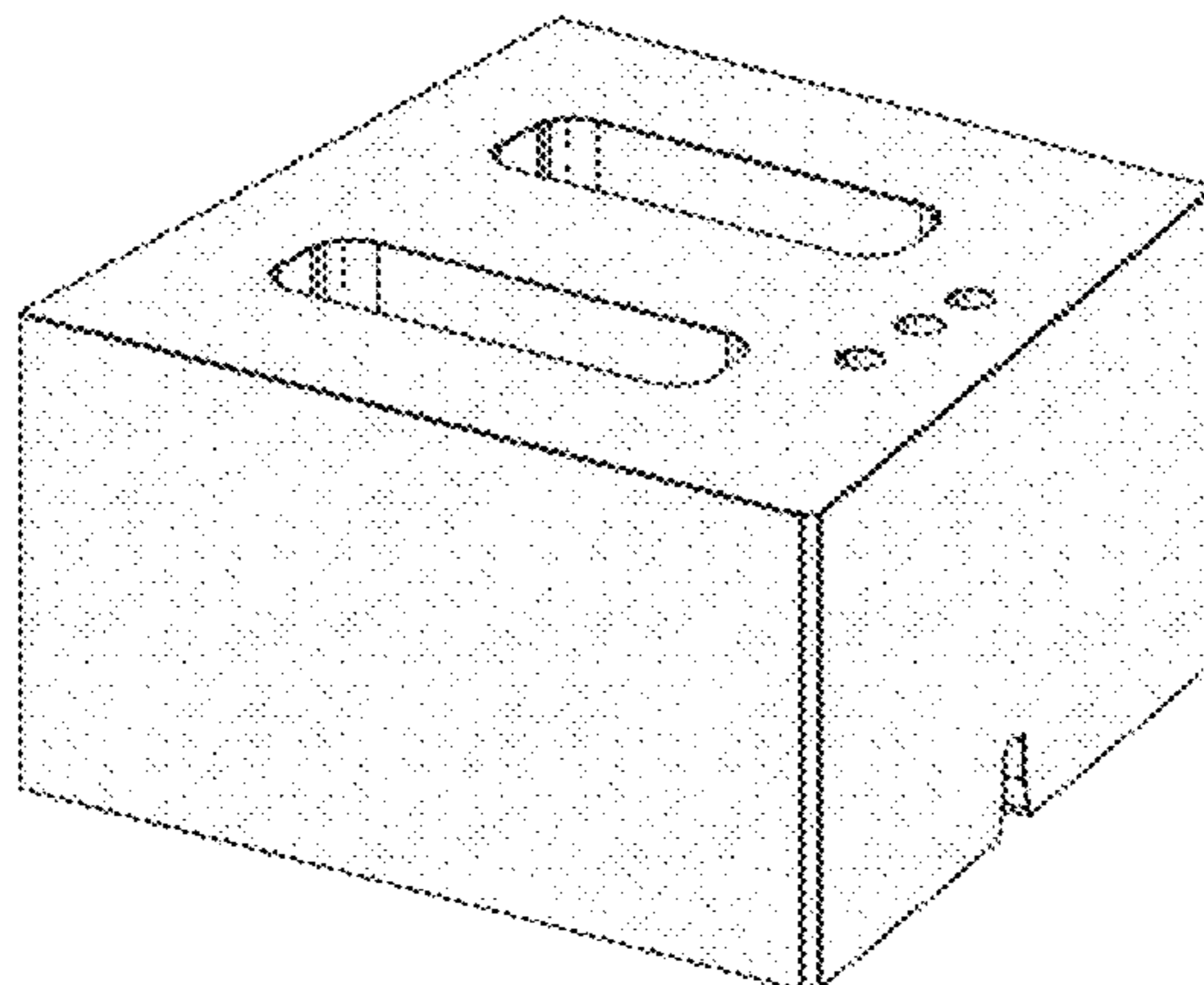
(57) **CLAIM**

The ornamental design for a landscaping block, as shown and described.

**DESCRIPTION**

FIG. 1 is a top and front perspective view of a landscaping block according to my new design; FIG. 2 is a bottom and rear perspective view thereof; FIG. 3 is a bottom plan view thereof; FIG. 4 is a top plan view thereof; FIG. 5 is a right side elevational view thereof; FIG. 6 is a left side elevational view thereof; FIG. 7 is a front elevational view thereof; and, FIG. 8 is a rear elevational view thereof.

**1 Claim, 8 Drawing Sheets**



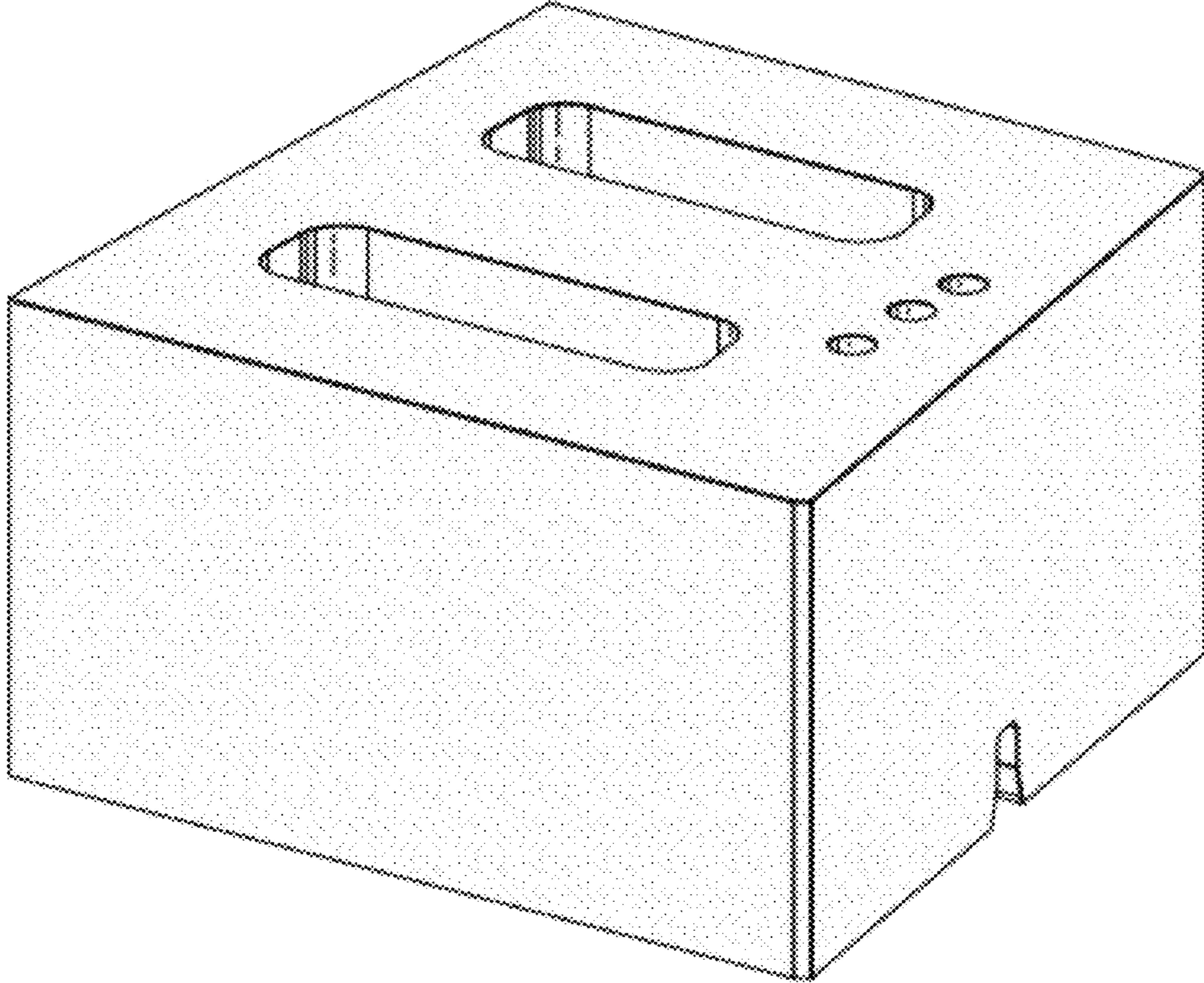
# US D665,514 S

Page 2

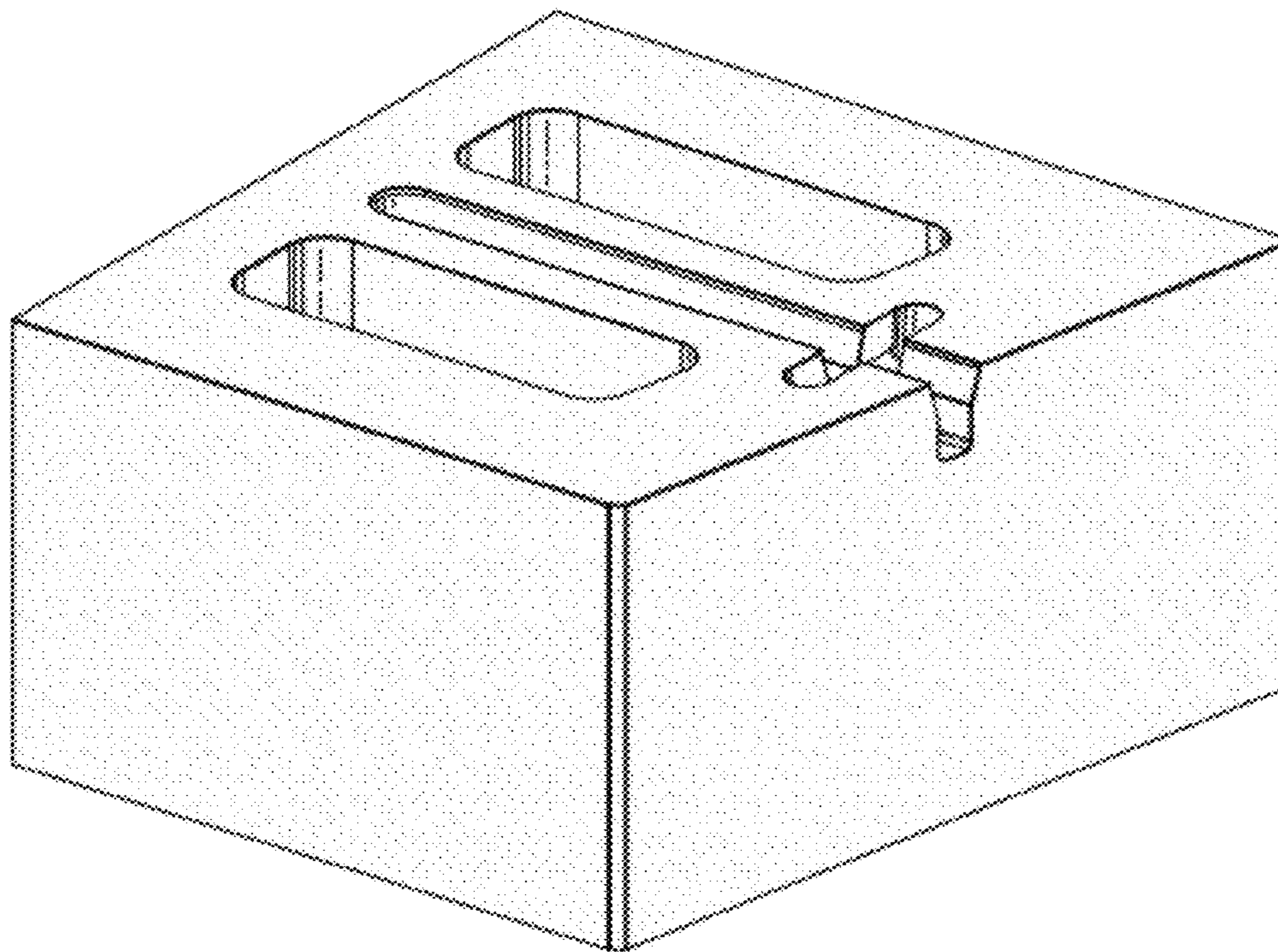
---

U.S. PATENT DOCUMENTS						
6,871,468	B2 *	3/2005	Whitson .....	52/604	2006/0110223	A1 5/2006 Dawson
7,096,634	B2	8/2006	Dean, Jr.		2006/0171784	A1 * 8/2006 Shaw .....
7,168,892	B1	1/2007	MacDonald et al.		2008/0277561	A1 11/2008 MacDonald
7,244,079	B1	7/2007	Blomquist et al.		2008/0289282	A1 11/2008 MacDonald
7,328,537	B2	2/2008	Hammer		2008/0307740	A1 12/2008 MacDonald
D610,710	S	2/2010	LaCroix et al.		2009/0120029	A1 5/2009 LaCroix et al.
D615,669	S	5/2010	Caggiano		2009/0188196	A1 7/2009 MacDonald
D620,135	S	7/2010	Adam		2009/0308015	A1 12/2009 MacDonald et al.
D621,070	S	8/2010	MacDonald et al.		2011/0072753	A1 3/2011 MacDonald
2002/0001509	A1	1/2002	Hong		2011/0217127	A1 9/2011 MacDonald
2005/0102949	A1	5/2005	Whitson		2011/0243669	A1 10/2011 Friederichs et al.

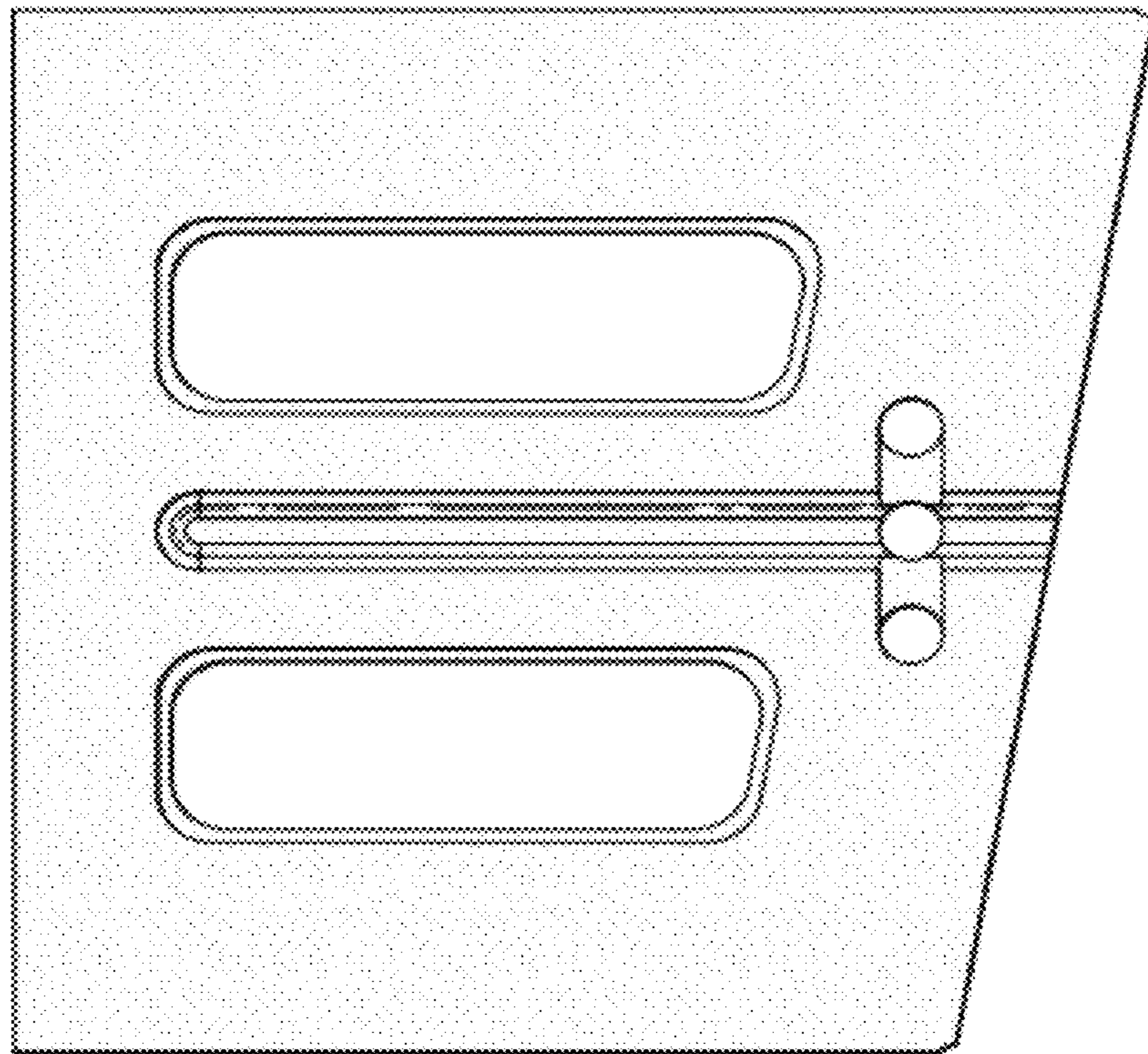
\* cited by examiner



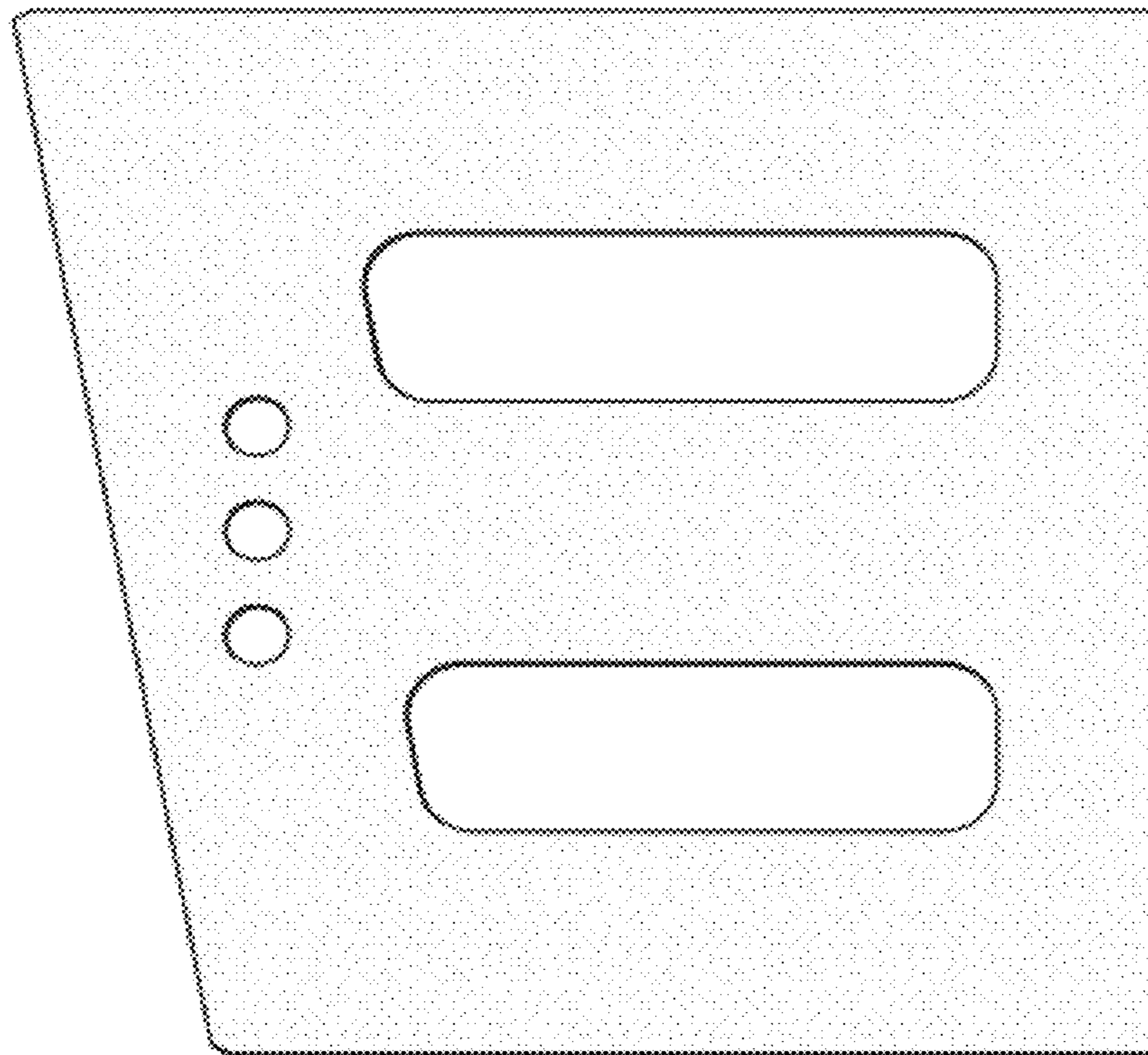
*Fig. 1*



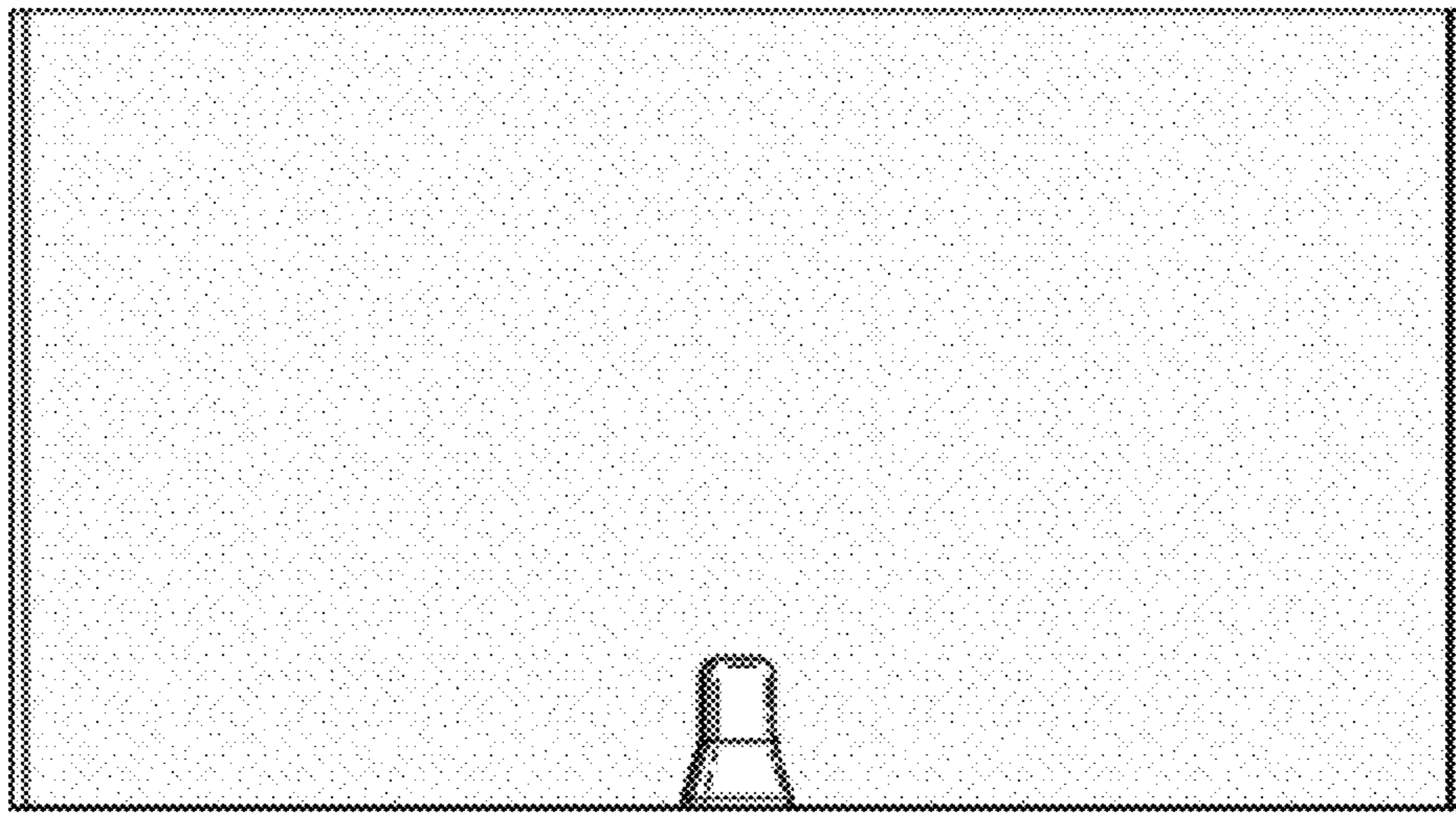
*Fig. 2*



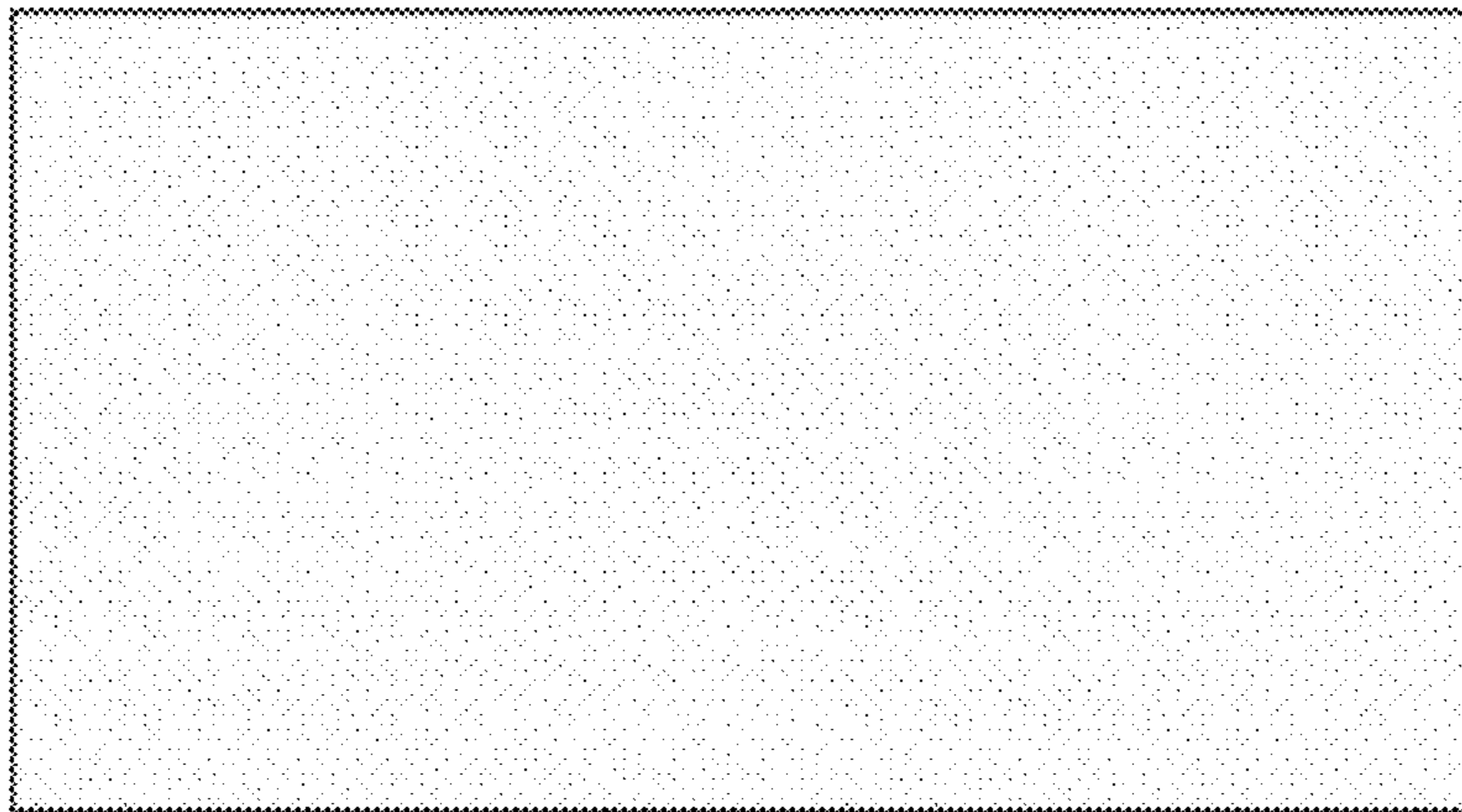
*Fig. 3*



*Fig. 4*

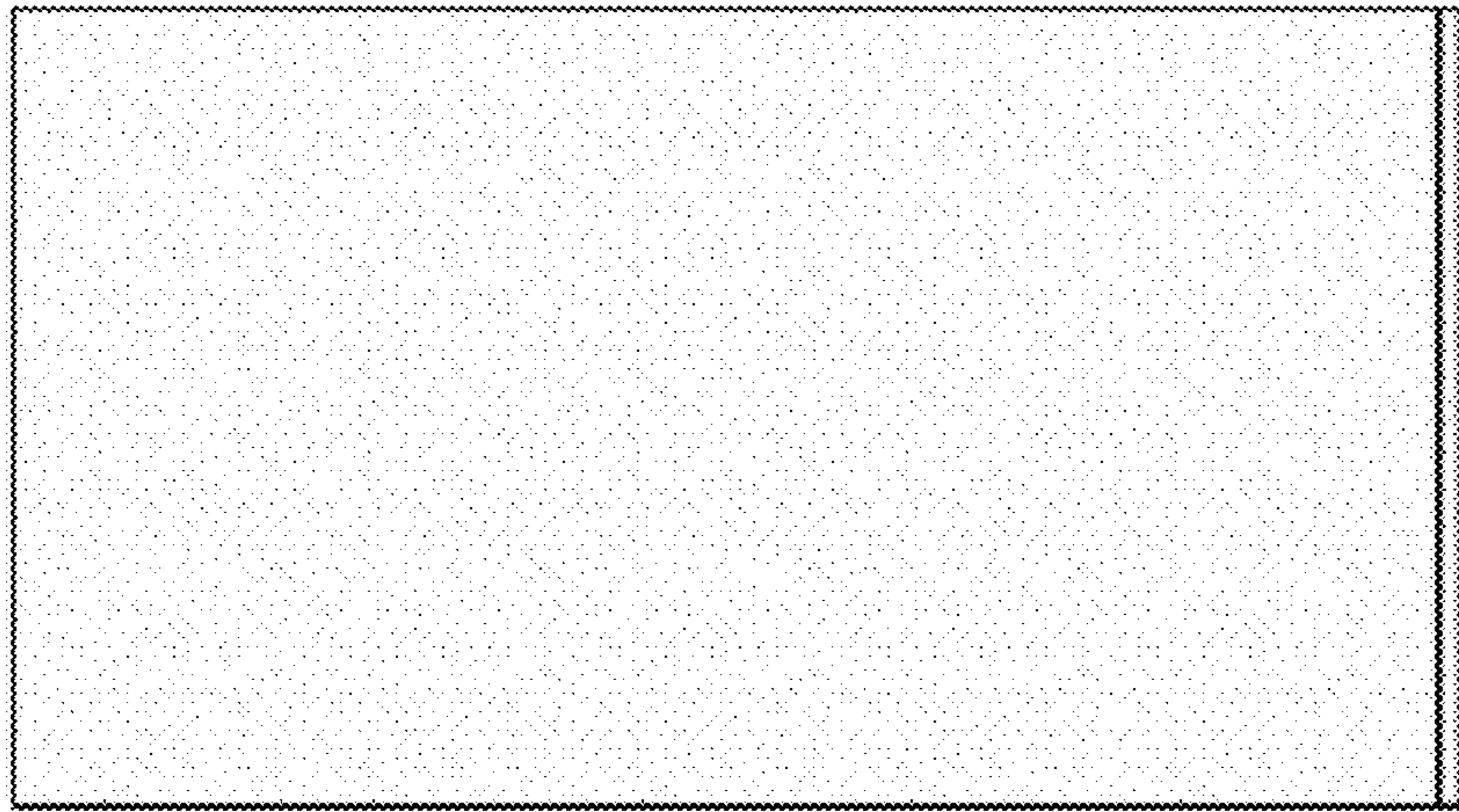


*Fig. 5*

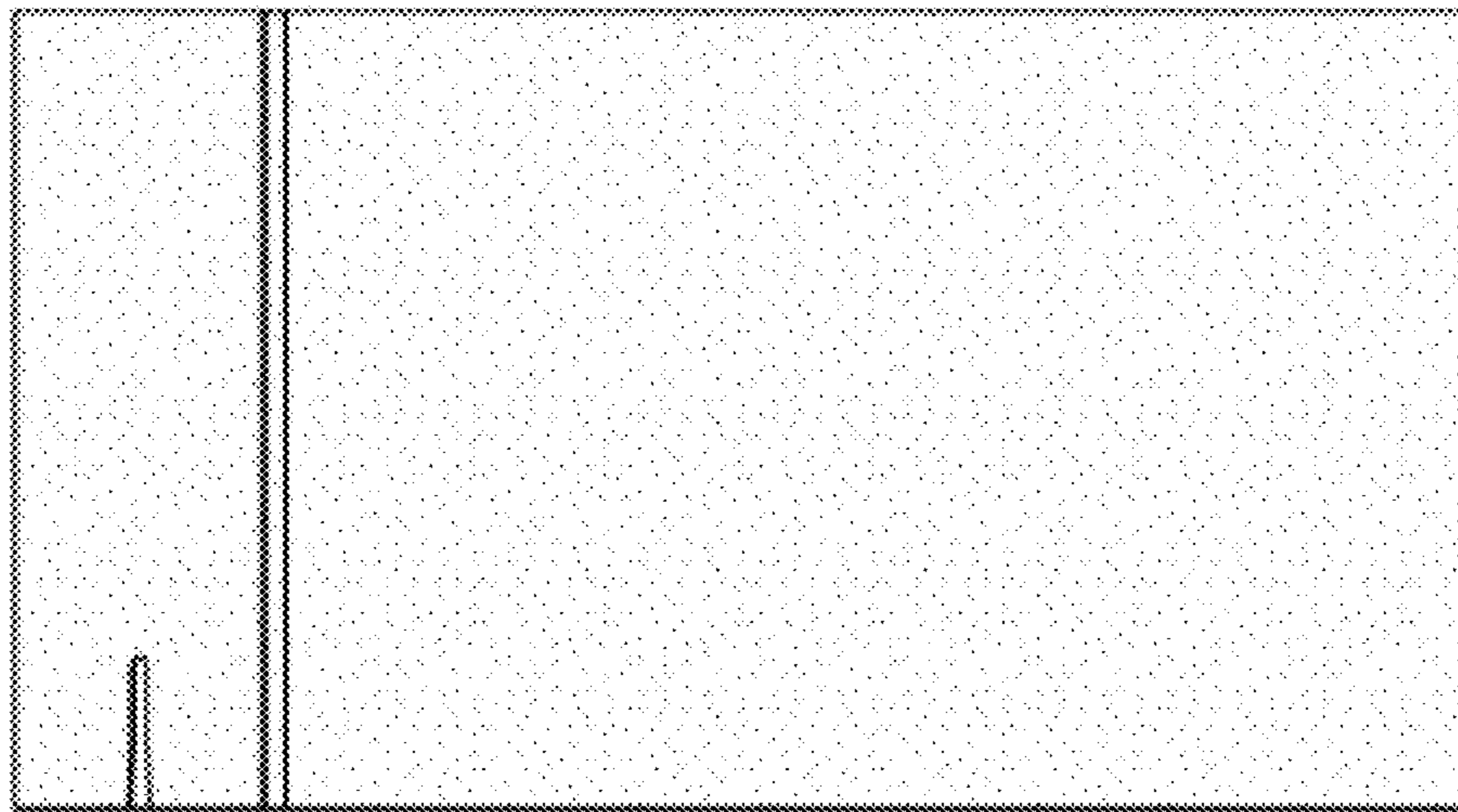


*Fig. 6*





*Fig. 7*



*Fig. 8*