

US00D665512S

(12) **United States Design Patent**
Yoder et al.

(10) **Patent No.:** **US D665,512 S**

(45) **Date of Patent:** **** Aug. 14, 2012**

(54) **TRUSS FRAME MEMBER FOR A MODULAR BUILDING**

3,849,961 A * 11/1974 Gwynne 52/639
6,604,328 B1 * 8/2003 Paddock 52/93.1
6,820,376 B2 * 11/2004 Morphet 52/58

* cited by examiner

(75) Inventors: **Steven M. Yoder**, Shawnee, KS (US);
Bart David Yoder, Louisburg, KS (US)

Primary Examiner — Robert Delehanty

(73) Assignee: **Performance Contracting, Inc.**,
Lenexa, KS (US)

(74) *Attorney, Agent, or Firm* — Womble Carlyle Sandridge
& Rice LLP

(**) Term: **14 Years**

(57) **CLAIM**

The ornamental design for a truss frame member for a modular building, as shown and described.

(21) Appl. No.: **29/391,120**

DESCRIPTION

(22) Filed: **May 4, 2011**

(51) **LOC (9) Cl.** **25-02**

(52) **U.S. Cl.** **D25/61**

(58) **Field of Classification Search** 52/283,
52/634, 639, 643, 690, 96, 94; D25/199,
D25/164, 61

See application file for complete search history.

FIG. 1 is a first perspective view of a truss frame member for a modular building showing my new design;

FIG. 2 is a second perspective view of the frame member of FIG. 1.

FIG. 3 is a front view of the frame member of FIG. 1.

FIG. 4 is a rear view of the frame member of FIG. 1.

FIG. 5 is a left side view of the frame member of FIG. 1.

FIG. 6 is a right side view of the frame member of FIG. 1.

FIG. 7 is a top view of the frame member of FIG. 1; and,

FIG. 8 is a bottom view of the frame member of FIG. 1.

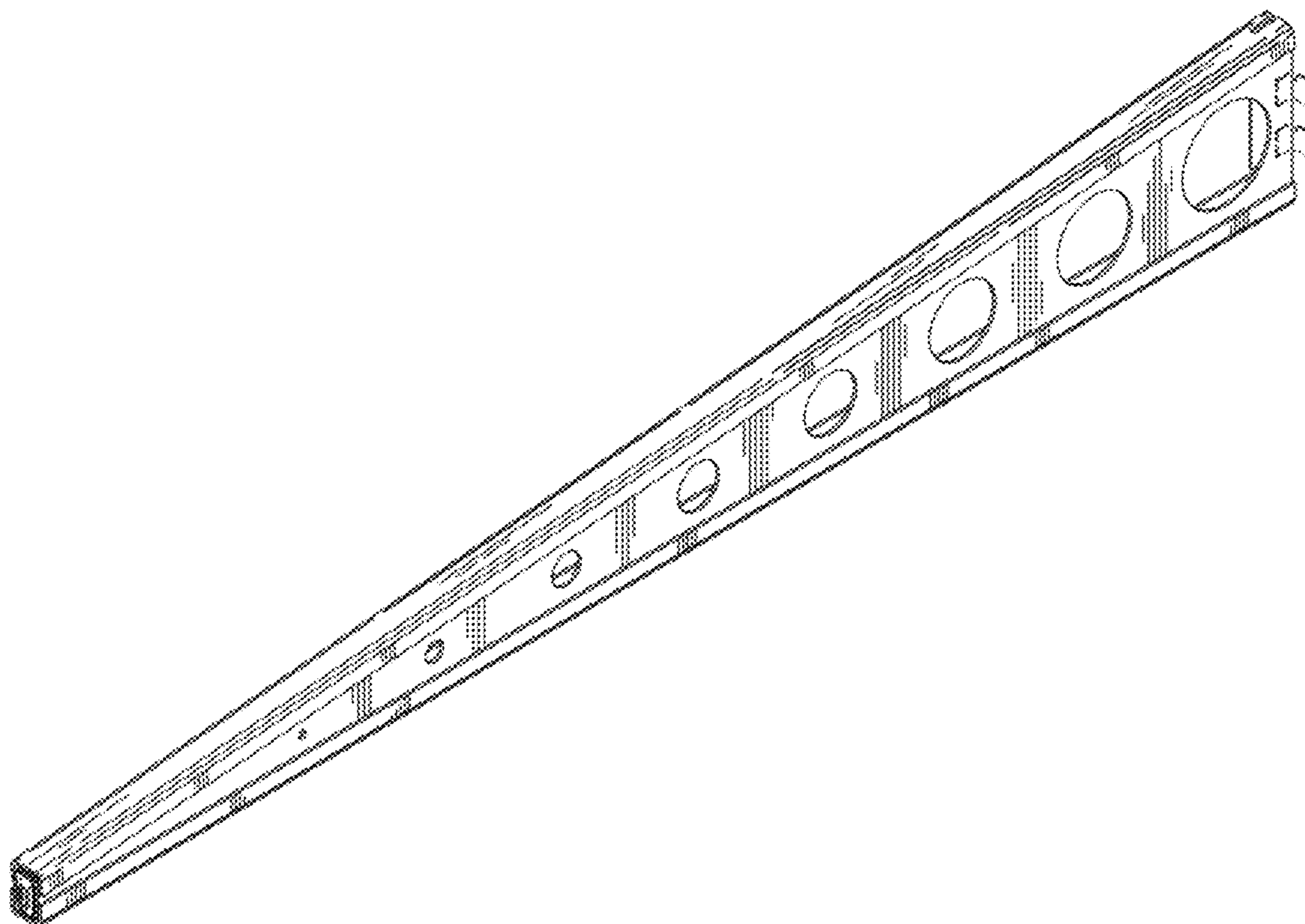
The broken lines shown herein are for illustrative purposes and form no part of the claimed design.

(56) **References Cited**

U.S. PATENT DOCUMENTS

1,552,474 A * 9/1925 Dornier 52/634
2,414,094 A * 1/1947 Couelle 52/690
3,141,531 A * 7/1964 Montgomery 52/634

1 Claim, 5 Drawing Sheets



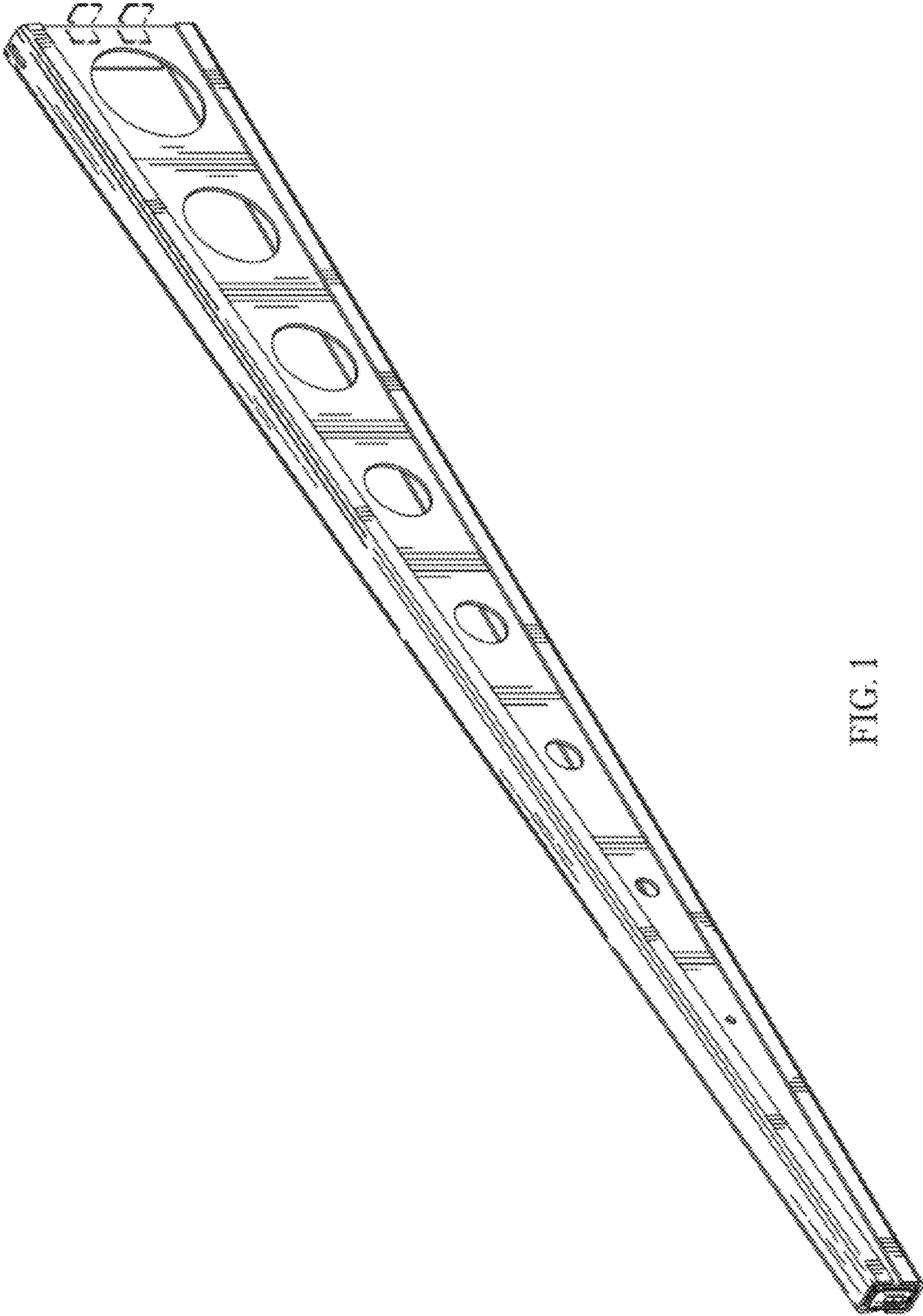


FIG. 1

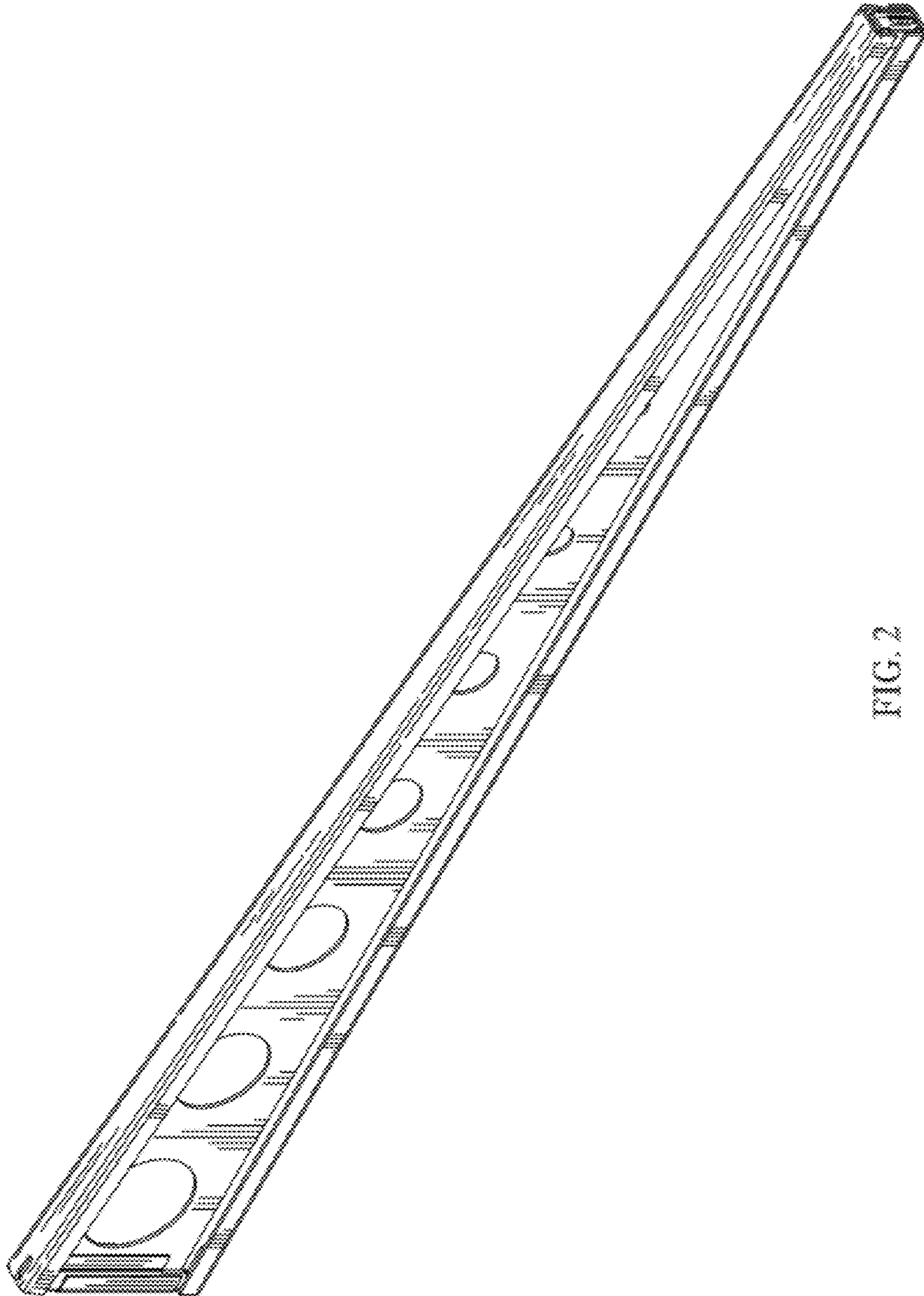


FIG. 2

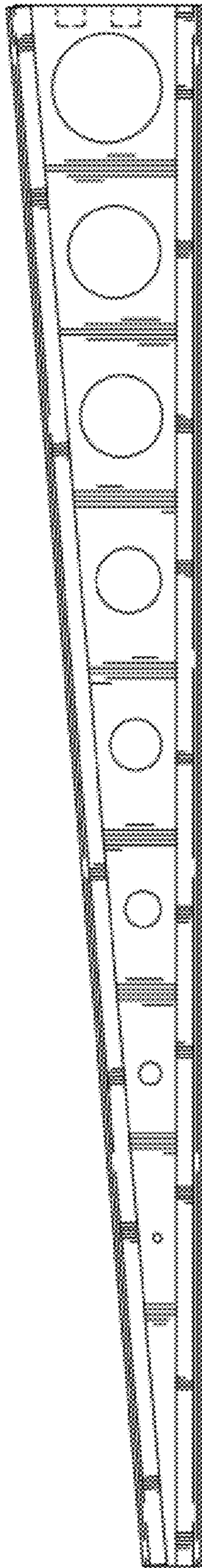


FIG. 3

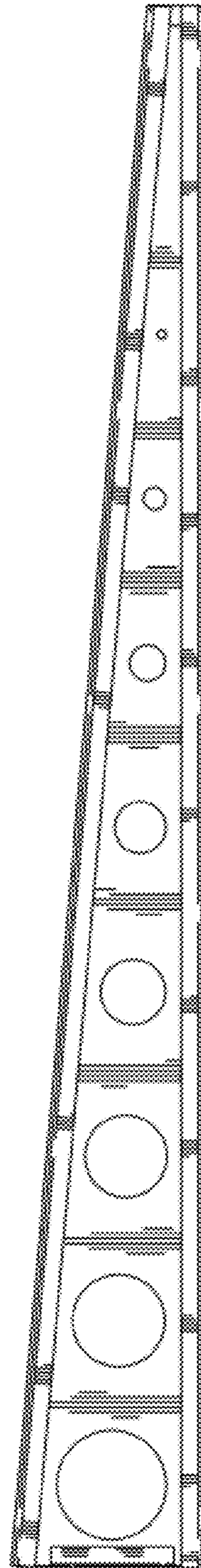


FIG. 4

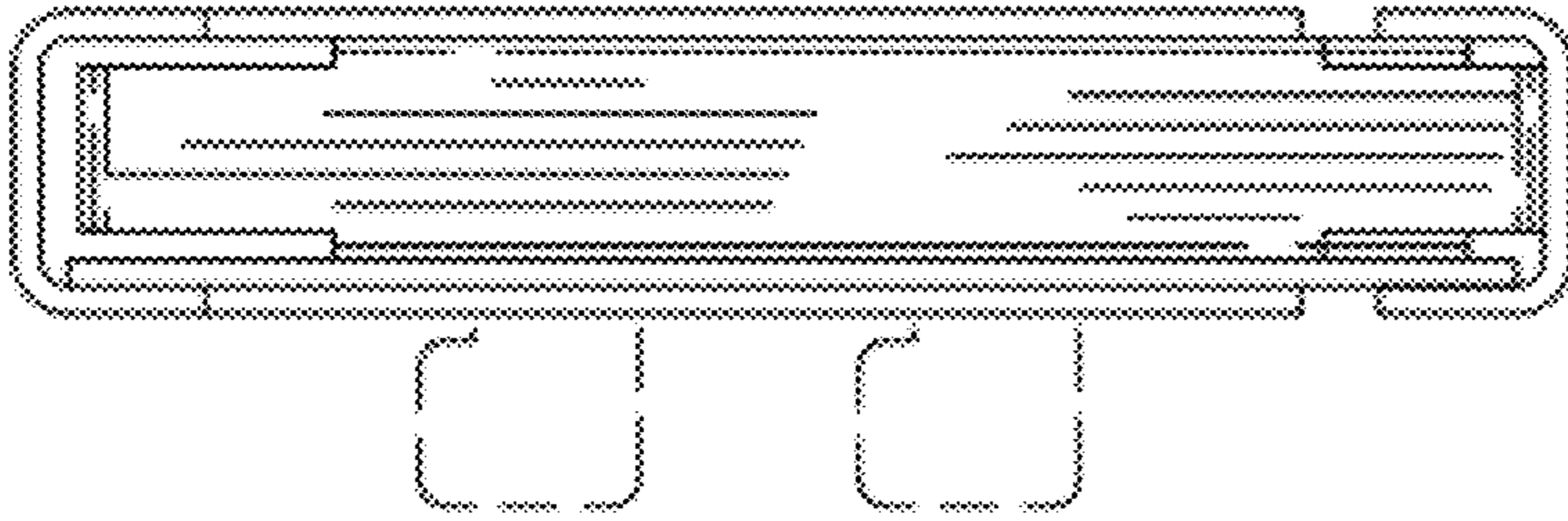


FIG. 6

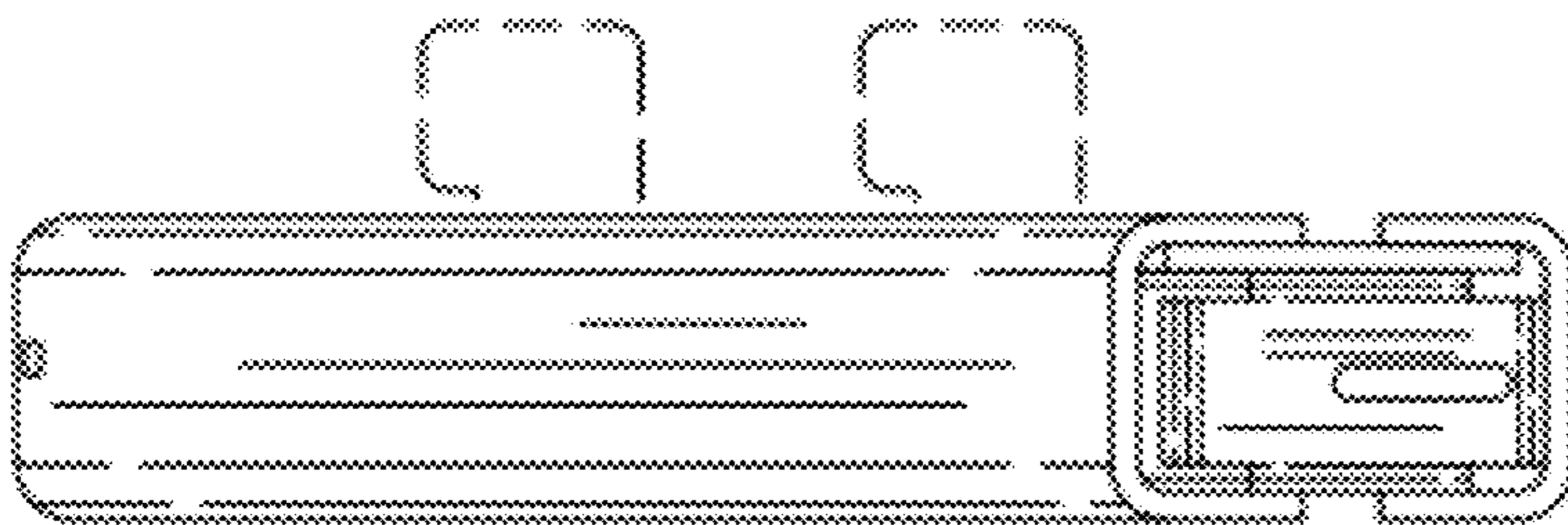


FIG. 5

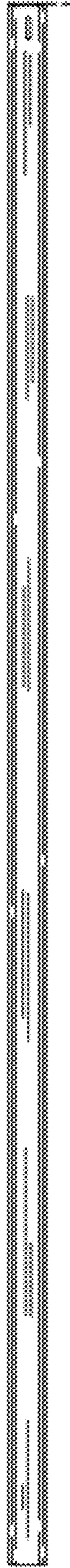


FIG. 7

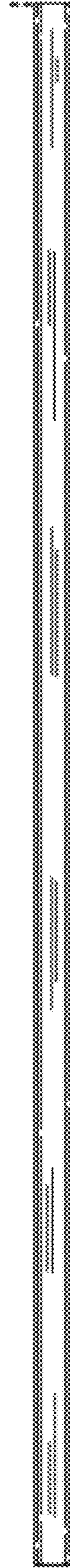


FIG. 8