

US00D665511S

(12) **United States Design Patent**
Bertsch

(10) **Patent No.:** **US D665,511 S**

(45) **Date of Patent:** **** Aug. 14, 2012**

(54) **CHILD SAFETY BARRIER**

(56) **References Cited**

(75) Inventor: **Michel Bertsch**, Gaaden (AT)

U.S. PATENT DOCUMENTS

(73) Assignee: **Indowoods S.A.**, Brussels (BE)

5,544,870	A *	8/1996	Kelley et al.	256/26
D397,448	S *	8/1998	Brevi	D25/48.5
D422,089	S *	3/2000	Blad	D25/48.5
6,056,038	A *	5/2000	Foster et al.	160/351
6,176,042	B1 *	1/2001	Rossman et al.	49/463
D502,551	S *	3/2005	Hotaling et al.	D25/48.5
2002/0002795	A1 *	1/2002	Rogers	49/57

(**) Term: **14 Years**

* cited by examiner

(21) Appl. No.: **29/370,980**

Primary Examiner — Doris Clark

(22) Filed: **Sep. 28, 2010**

(74) *Attorney, Agent, or Firm* — James Creighton Wray

Related U.S. Application Data

(62) Division of application No. 29/310,402, filed on Aug. 13, 2008, now Pat. No. Des. 626,661.

(57) **CLAIM**

The ornamental design for the child safety barrier, as shown and described.

(30) **Foreign Application Priority Data**

DESCRIPTION

Feb. 14, 2008 (EM) 878905-001

FIG. 1 is a perspective view of a child safety barrier.

Feb. 14, 2008 (EM) 878905-002

FIG. 2 is a front elevation view.

(51) **LOC (9) Cl.** **25-02**

FIG. 3 is a top plan view.

(52) **U.S. Cl.** **D25/48.5**

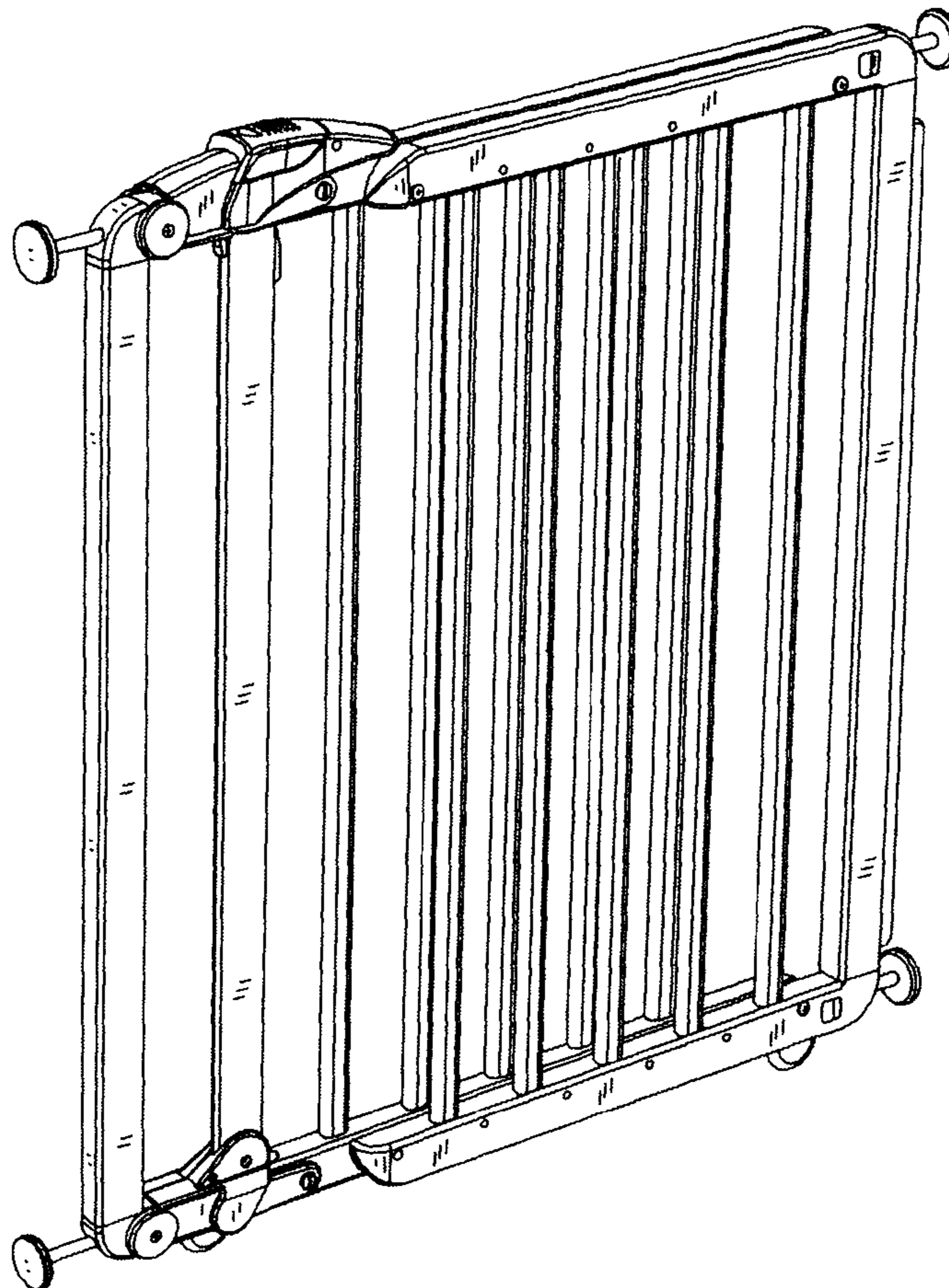
FIG. 4 is an enlarged fragmented perspective view of the upper left portion of a child safety barrier; and,

(58) **Field of Classification Search** D25/48.5;
256/25, 26

FIG. 5 is an enlarged fragmented perspective view of the lower left portion of a child safety barrier.

See application file for complete search history.

1 Claim, 4 Drawing Sheets



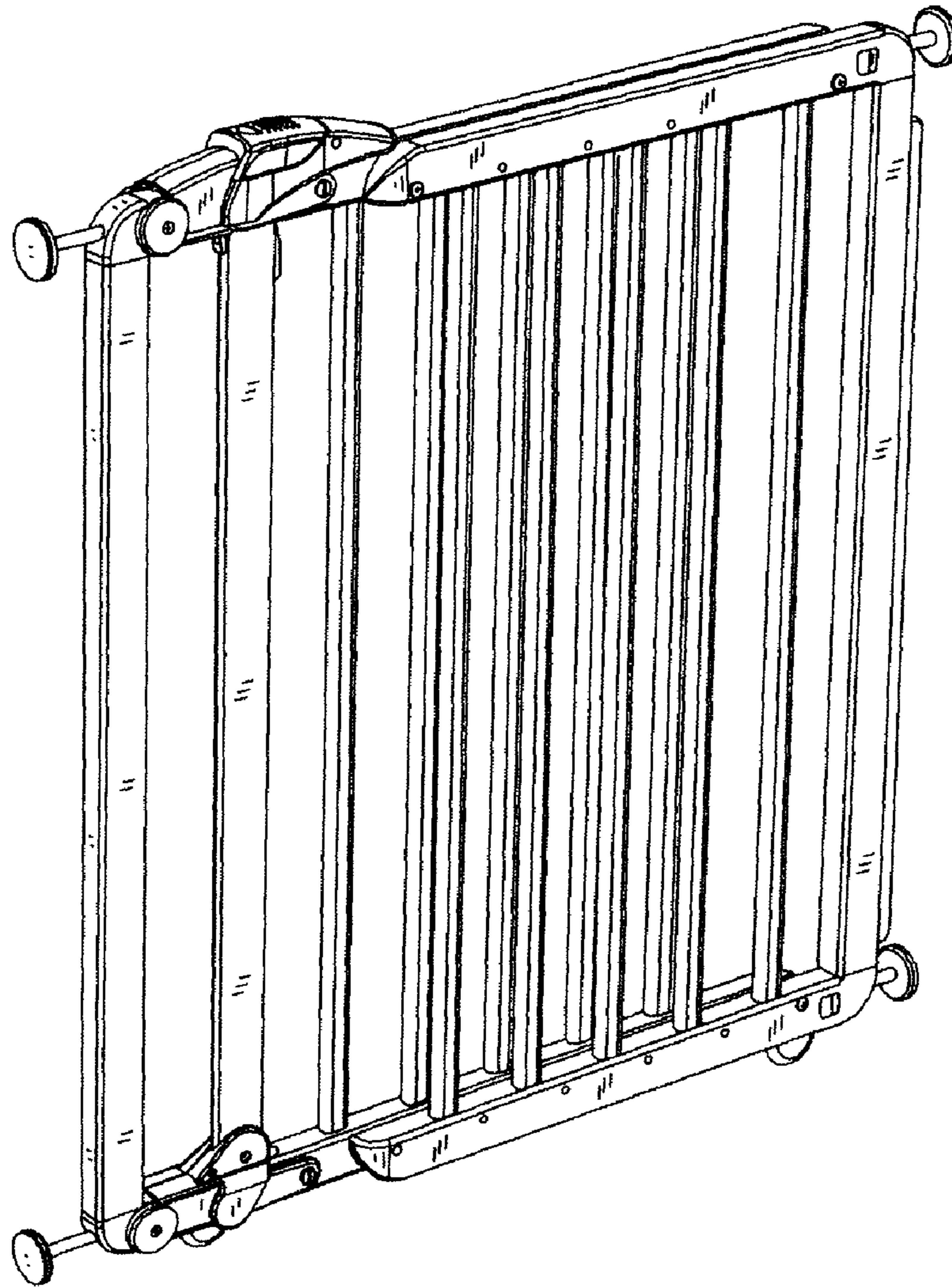


FIG. 1

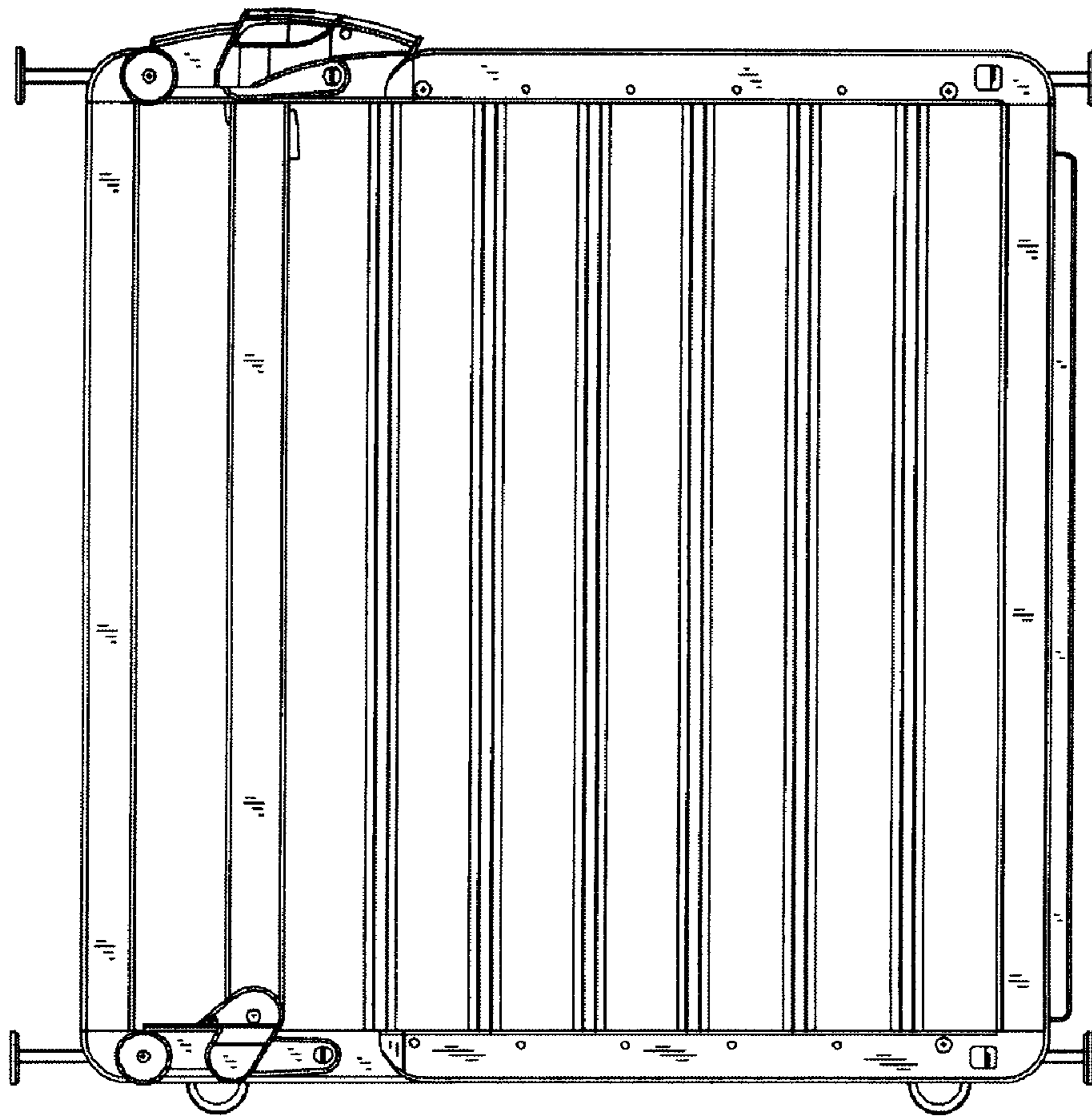


FIG. 2



FIG. 3

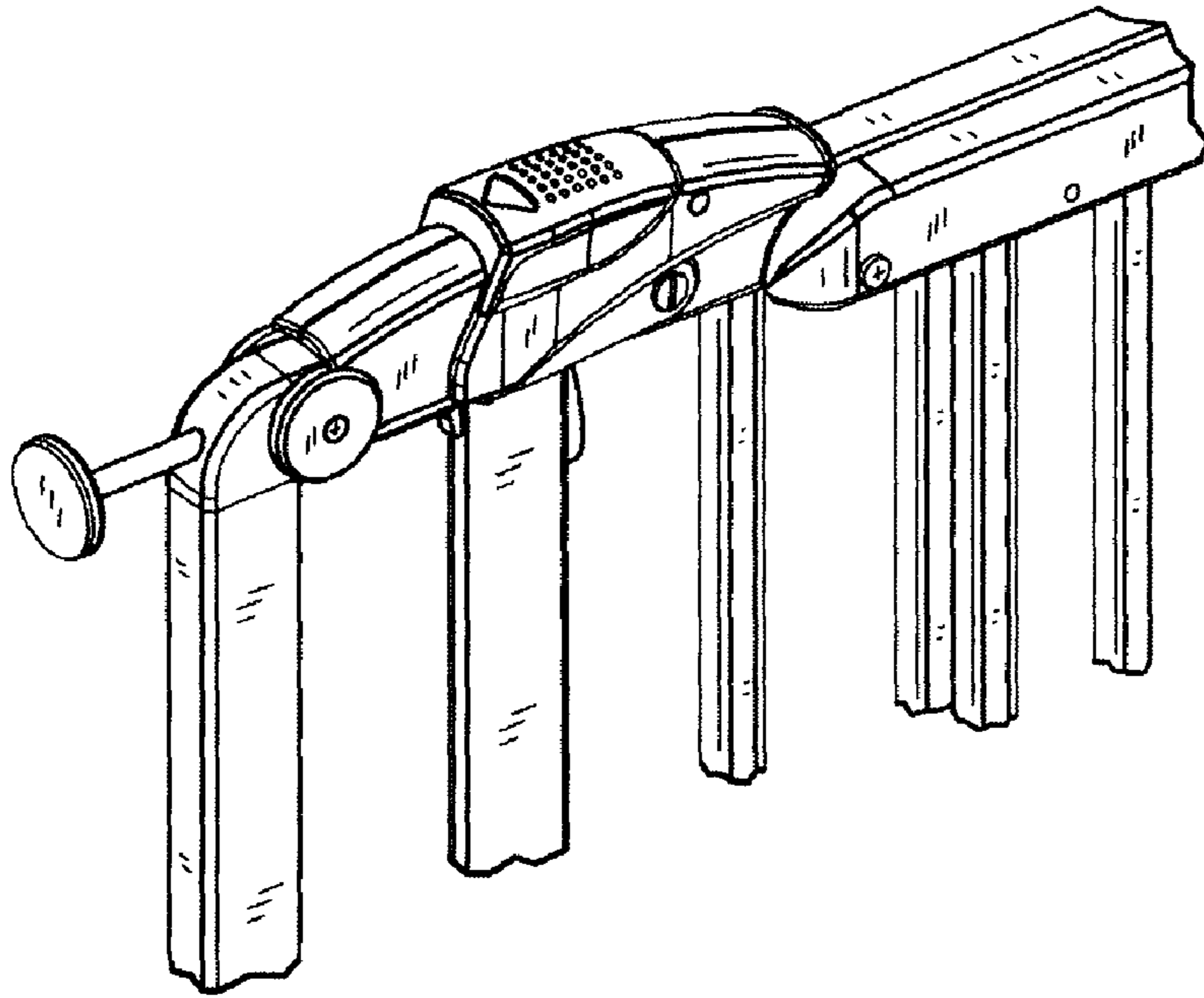


FIG. 4

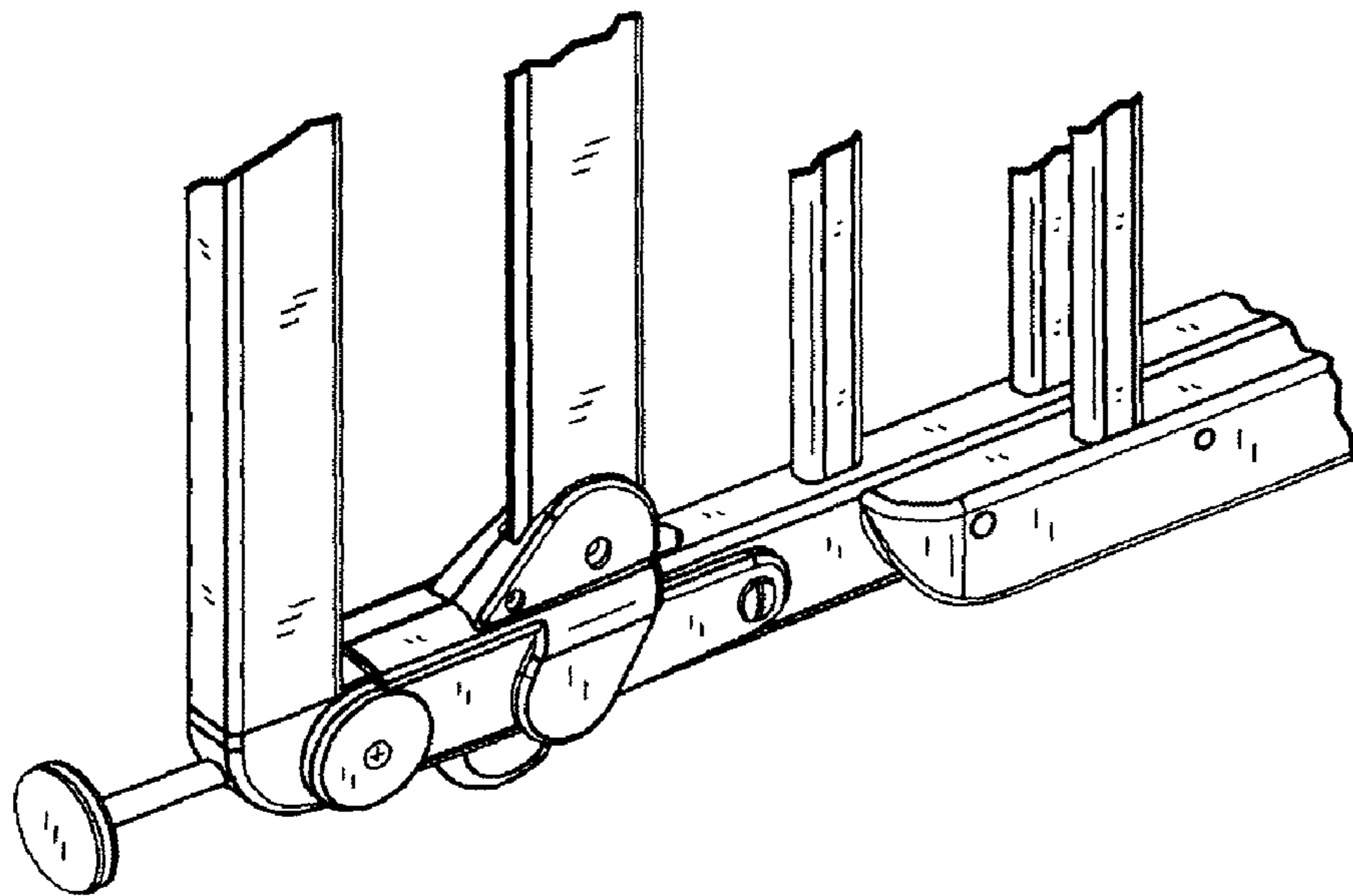


FIG. 5