

US00D665510S

(12) **United States Design Patent**
Esposito

(10) **Patent No.:** **US D665,510 S**

(45) **Date of Patent:** **** Aug. 14, 2012**

(54) **RAILING UNIT FOR A FENCE**

(76) Inventor: **Lisa Esposito**, Shelby Township, MI
(US)

(**) Term: **14 Years**

(21) Appl. No.: **29/384,762**

(22) Filed: **Feb. 3, 2011**

(51) **LOC (9) Cl.** **25-02**

(52) **U.S. Cl.** **D25/38.1**

(58) **Field of Classification Search** D25/38,
D25/50, 38.1, 48.5; 256/19, 22, 24, 25, 65.01,
256/67, 65.02, 65.11, 65.15, 65.16, 59, 45,
256/73

See application file for complete search history.

(56) **References Cited**

U.S. PATENT DOCUMENTS

3,357,681	A *	12/1967	Souza, Jr.	256/65.02
4,014,520	A	3/1977	Walters	
4,145,031	A	3/1979	Baker, II	
4,188,019	A	2/1980	Meredith	
4,498,660	A	2/1985	Brema et al.	
4,609,185	A	9/1986	Prater et al.	

4,898,365	A	2/1990	Conner et al.	
5,454,548	A	10/1995	Moore	
5,651,534	A	7/1997	Yoder	
5,713,171	A	2/1998	Andres	
D404,501	S *	1/1999	Smith	D25/42
6,299,142	B1	10/2001	Chaney et al.	
6,305,671	B1	10/2001	Valentine	
6,345,809	B1	2/2002	Bebendorf	
6,523,807	B2	2/2003	Calverley	
D486,586	S *	2/2004	Cantley et al.	D25/50
D583,484	S *	12/2008	Ferris	D25/38
D622,409	S *	8/2010	Dong	D25/38
2005/0023514	A1 *	2/2005	Gibbs et al.	256/59
2005/0045863	A1 *	3/2005	MacKay	256/59

* cited by examiner

Primary Examiner — Doris Clark

(74) *Attorney, Agent, or Firm* — Douglas P. LaLone; Rader
Fishman & Grauer

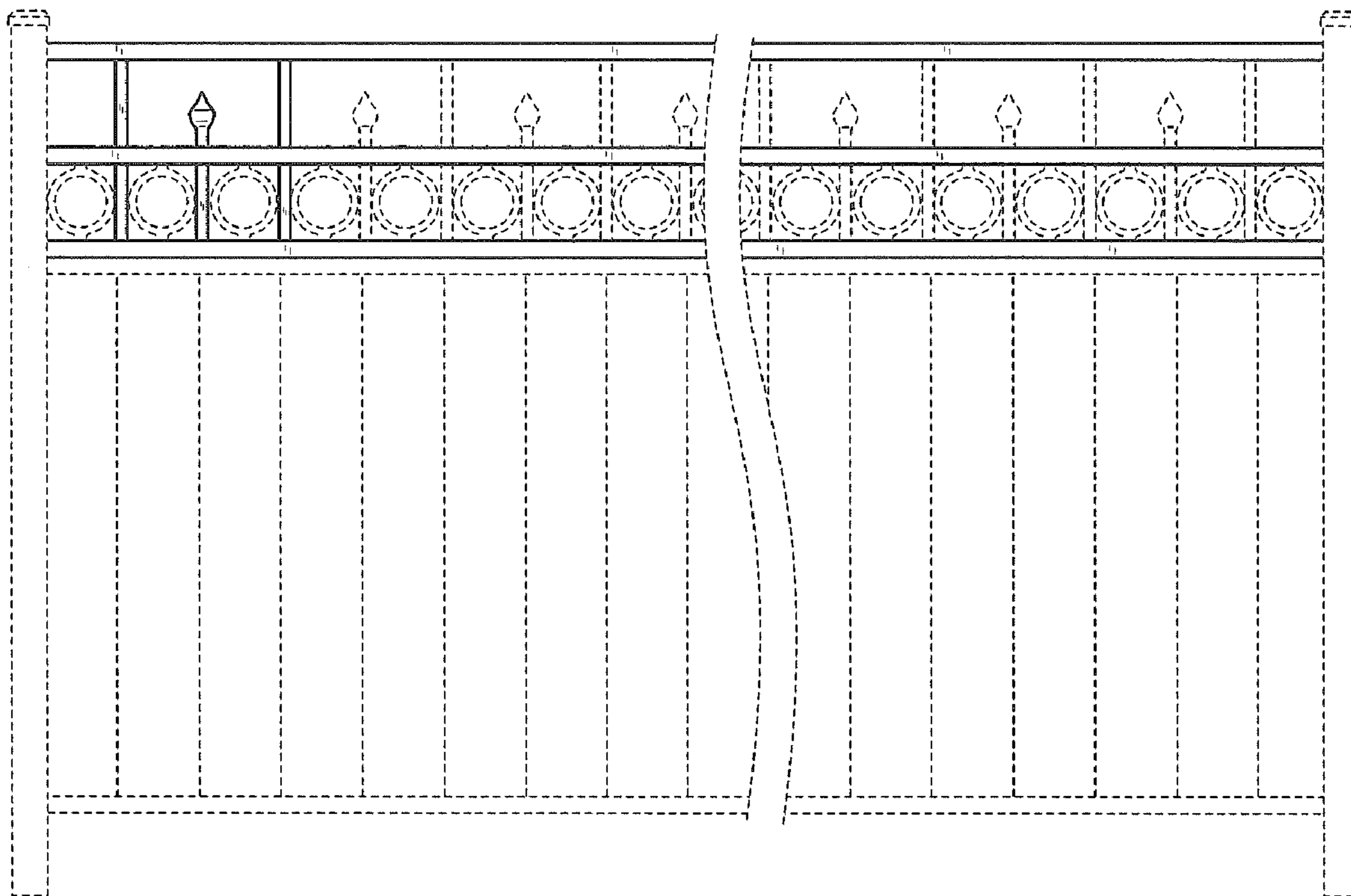
(57) **CLAIM**

The ornamental design for a railing unit for a fence, as shown
and described.

DESCRIPTION

FIG. 1 is a front view of a railing unit for a fence; and,
FIG. 2 is a top view thereof.

1 Claim, 1 Drawing Sheet



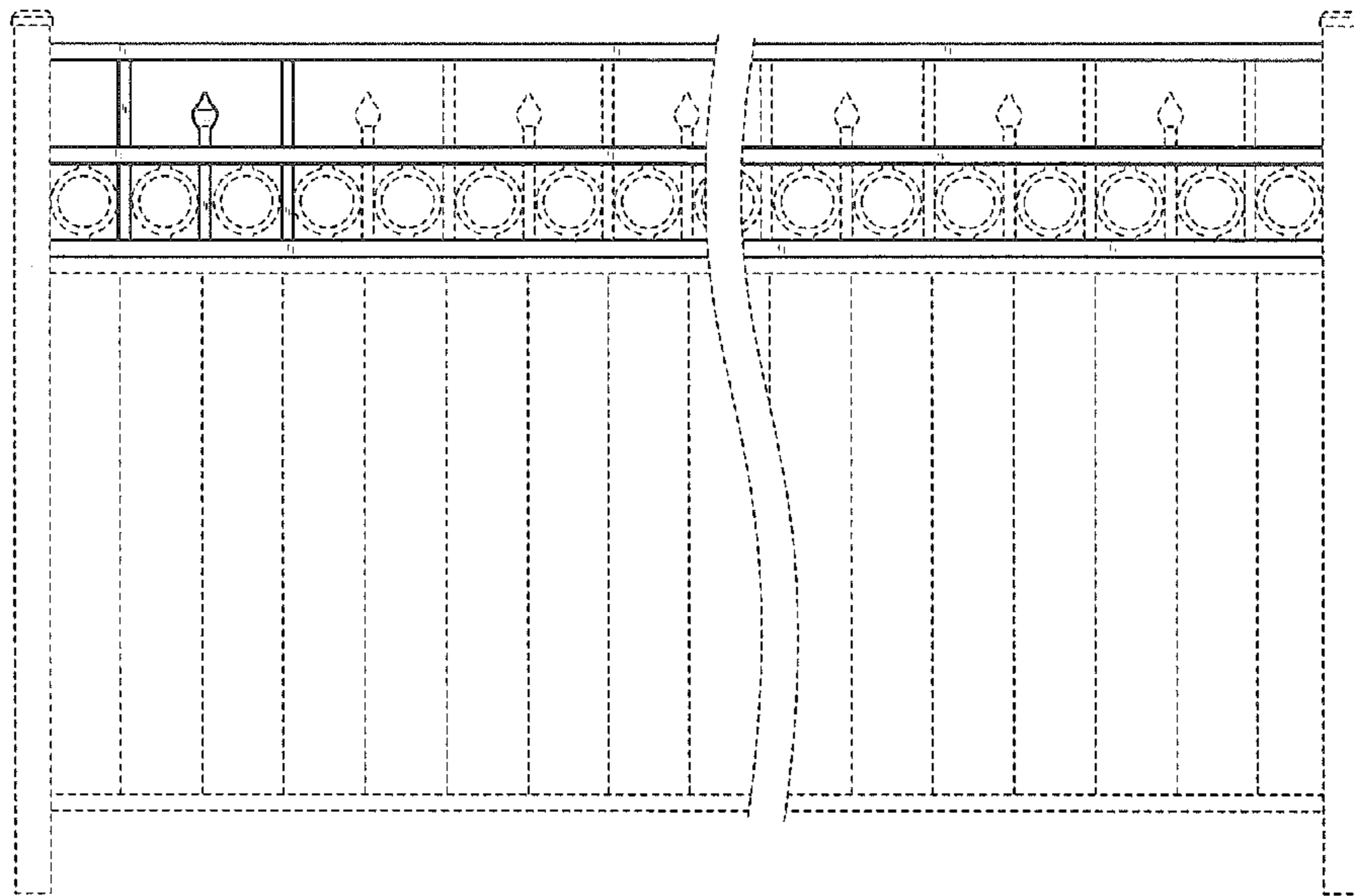


FIG. 1

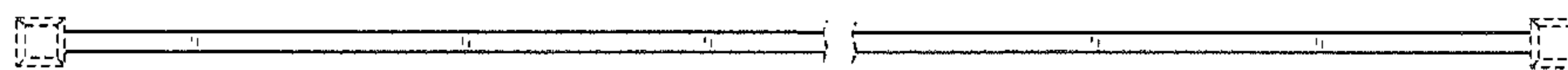


FIG. 2