



US00D665502S

(12) **United States Design Patent**
Frenkler et al.

(10) **Patent No.:** **US D665,502 S**
(45) **Date of Patent:** **** Aug. 14, 2012**

(54) **TRAY TABLE FOR DENTAL CHAIR**

(75) Inventors: **Fritz Frenkler**, Munich (DE); **Anette Ponholzer**, Munich (DE); **Hiroshi Kaneko**, Munich (DE)

(73) Assignee: **J. Mortia Manufacturing Corporation**, Kyoto (JP)

(**) Term: **14 Years**

(21) Appl. No.: **29/371,428**

(22) Filed: **Feb. 23, 2011**

(30) **Foreign Application Priority Data**

Aug. 23, 2010 (JP) 2010-020300

(51) **LOC (9) Cl.** **24-01**

(52) **U.S. Cl.** **D24/177**

(58) **Field of Classification Search** D24/176-177, D24/128, 183-185, 227; 248/282.1, 283.1, 248/124.1, 183.1, 276.1; 312/209, 298, 302, 312/311; 433/25, 28, 33, 77, 79, 82, 97
See application file for complete search history.

(56) **References Cited**

U.S. PATENT DOCUMENTS

D195,773 S * 7/1963 Turner D24/177
D197,406 S * 1/1964 Haas D24/177
D202,042 S * 8/1965 Walters D24/177
D207,316 S * 4/1967 Kern, Jr. D24/177
3,346,957 A * 10/1967 Maurer et al. 433/79
3,348,799 A * 10/1967 Wolfgang et al. 248/283.1

D211,689 S * 7/1968 Olsen D24/177
D225,999 S * 1/1973 Krantz D24/177
D246,257 S * 11/1977 Truette D24/177
D246,534 S * 11/1977 Buckley D24/177
4,311,461 A * 1/1982 Hotta et al. 432/33
4,445,859 A * 5/1984 Hoffmeister et al. 433/79
7,004,437 B2 * 2/2006 Bauer et al. 248/282.1

FOREIGN PATENT DOCUMENTS

JP D2008-19972 * 9/2009

* cited by examiner

Primary Examiner — Wan Laymon

(74) *Attorney, Agent, or Firm* — Jacobson Holman PLLC

(57) **CLAIM**

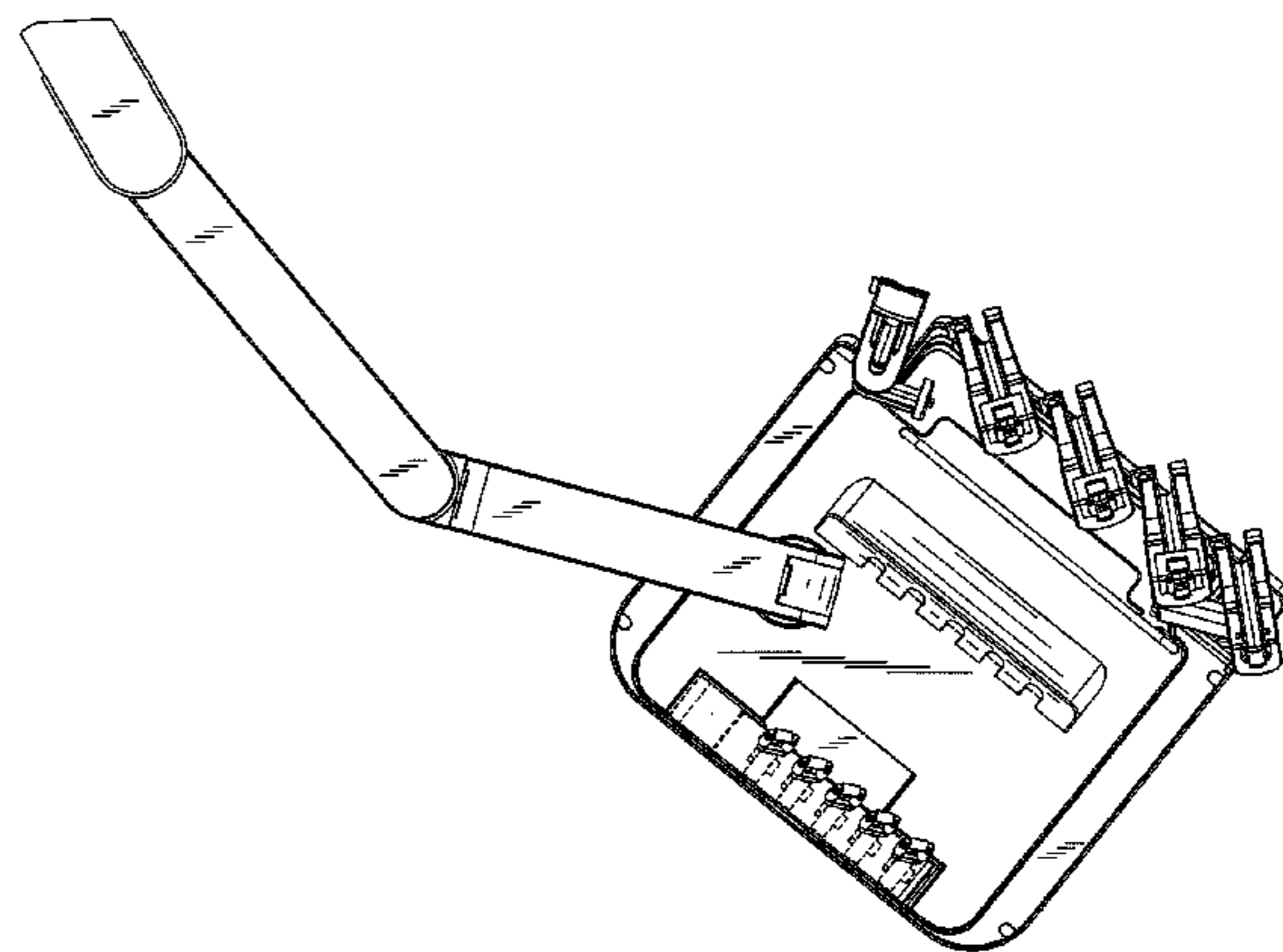
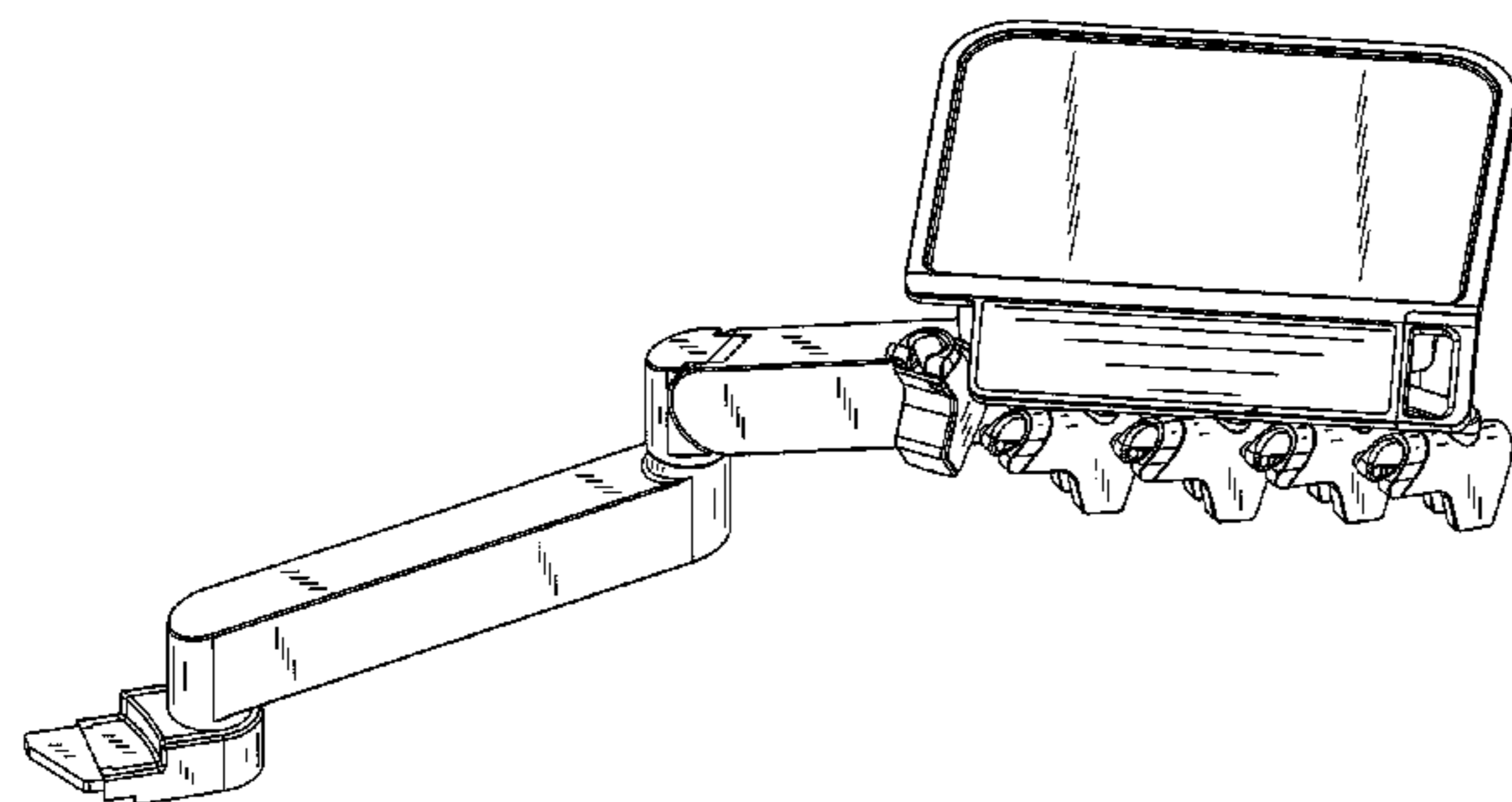
The ornamental design for a tray table for dental chair, as shown and described.

DESCRIPTION

FIG. 1 is a perspective view for a tray table for dental chair showing our new design, FIG. 2 is a front view thereof, FIG. 3 is a rear view thereof, FIG. 4 is a left side view thereof, FIG. 5 is a right side view thereof, FIG. 6 is a top view thereof; and, FIG. 7 is a bottom view thereof.

Portions of the tray table for dental chair shown in broken lines form no part of the claimed design.

1 Claim, 7 Drawing Sheets



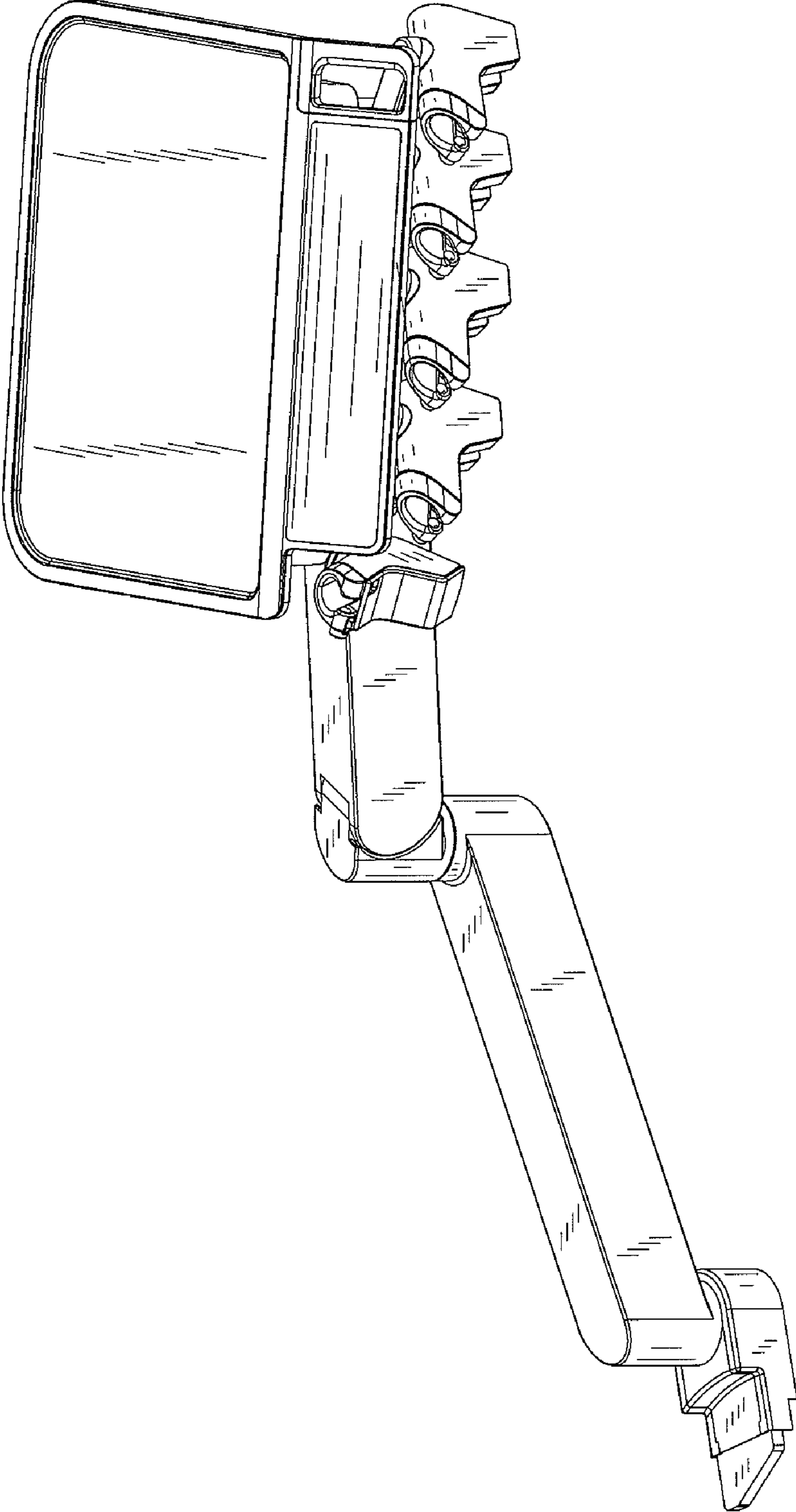


FIG. 1

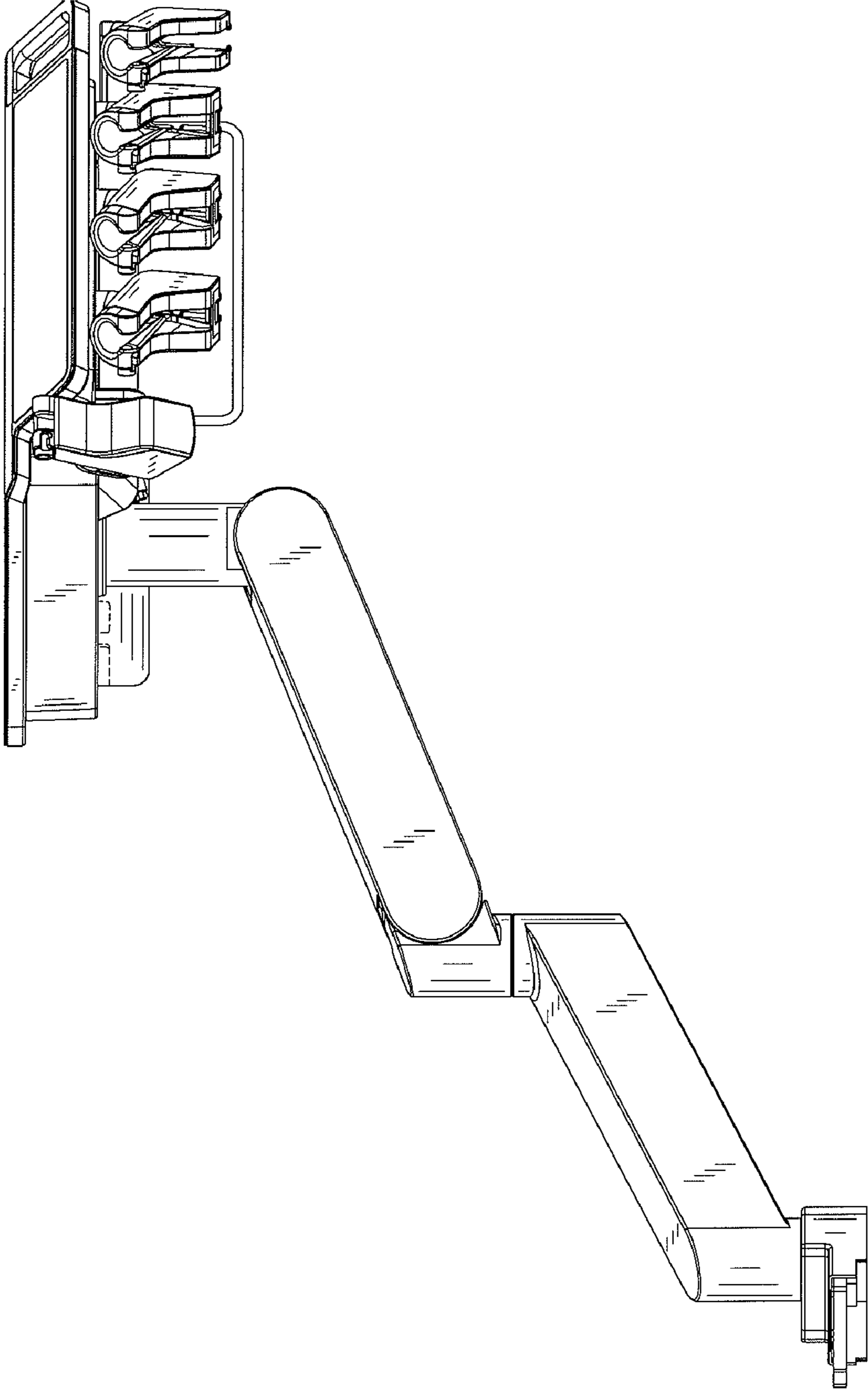


FIG. 2

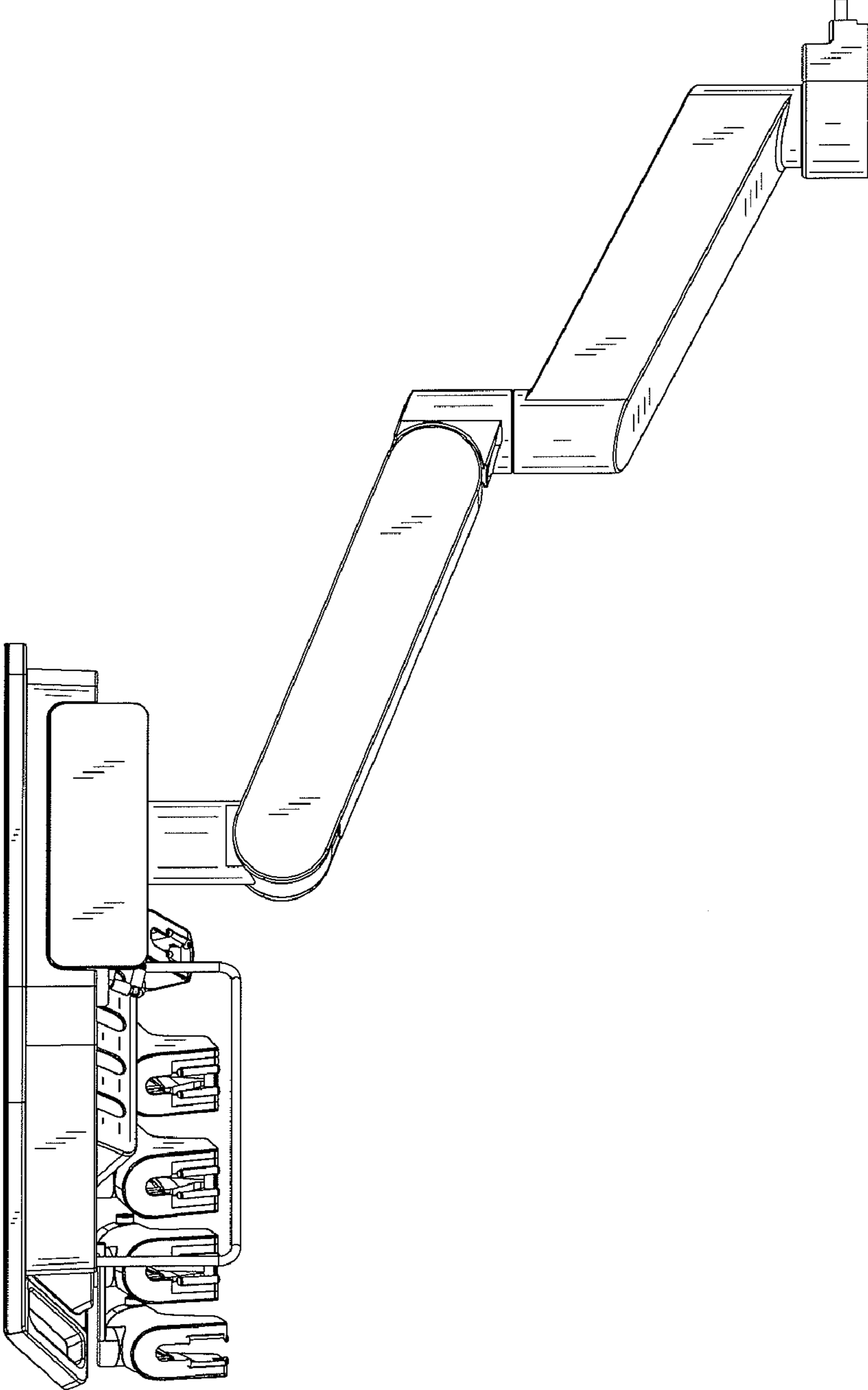


FIG. 3

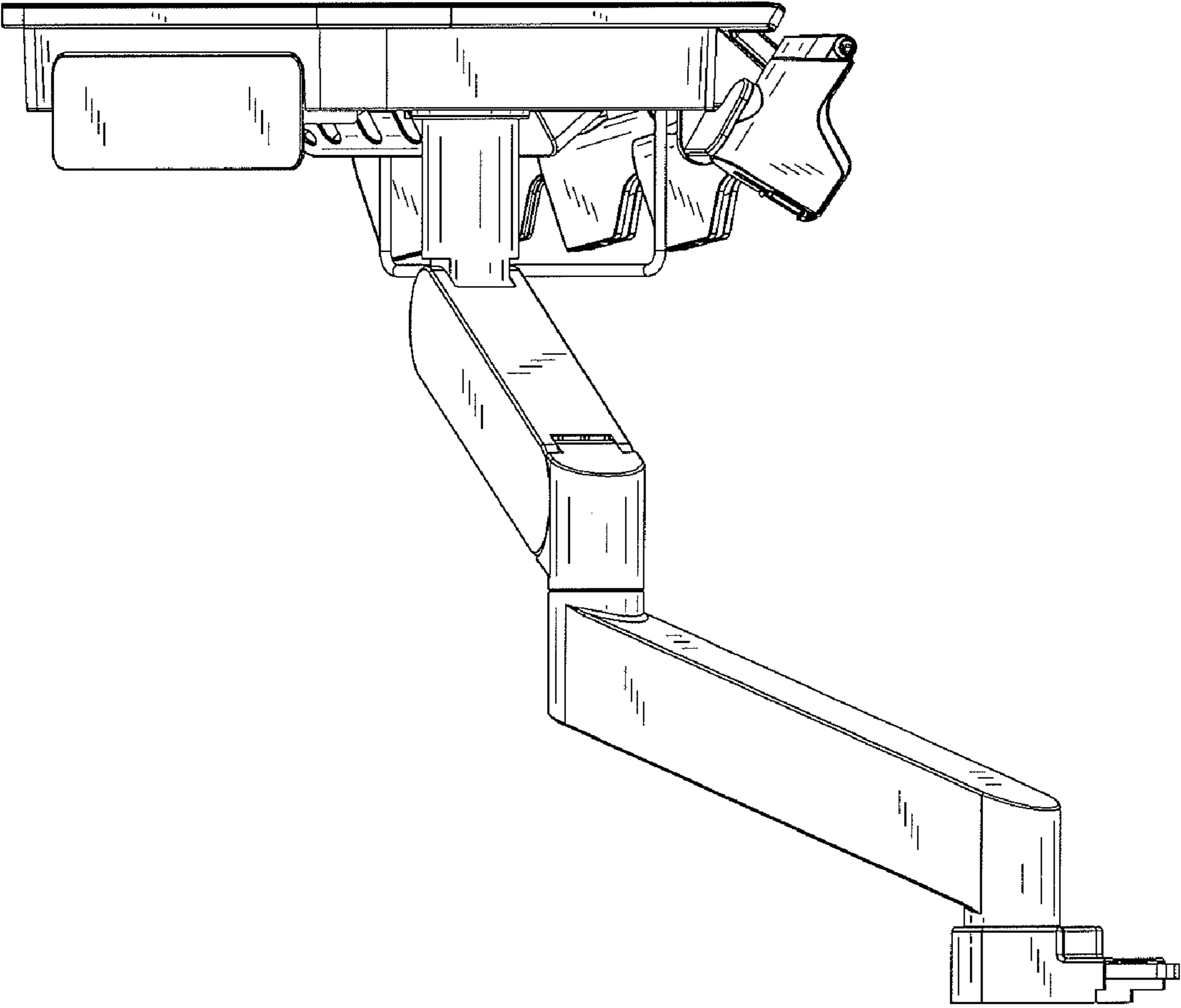


FIG. 4

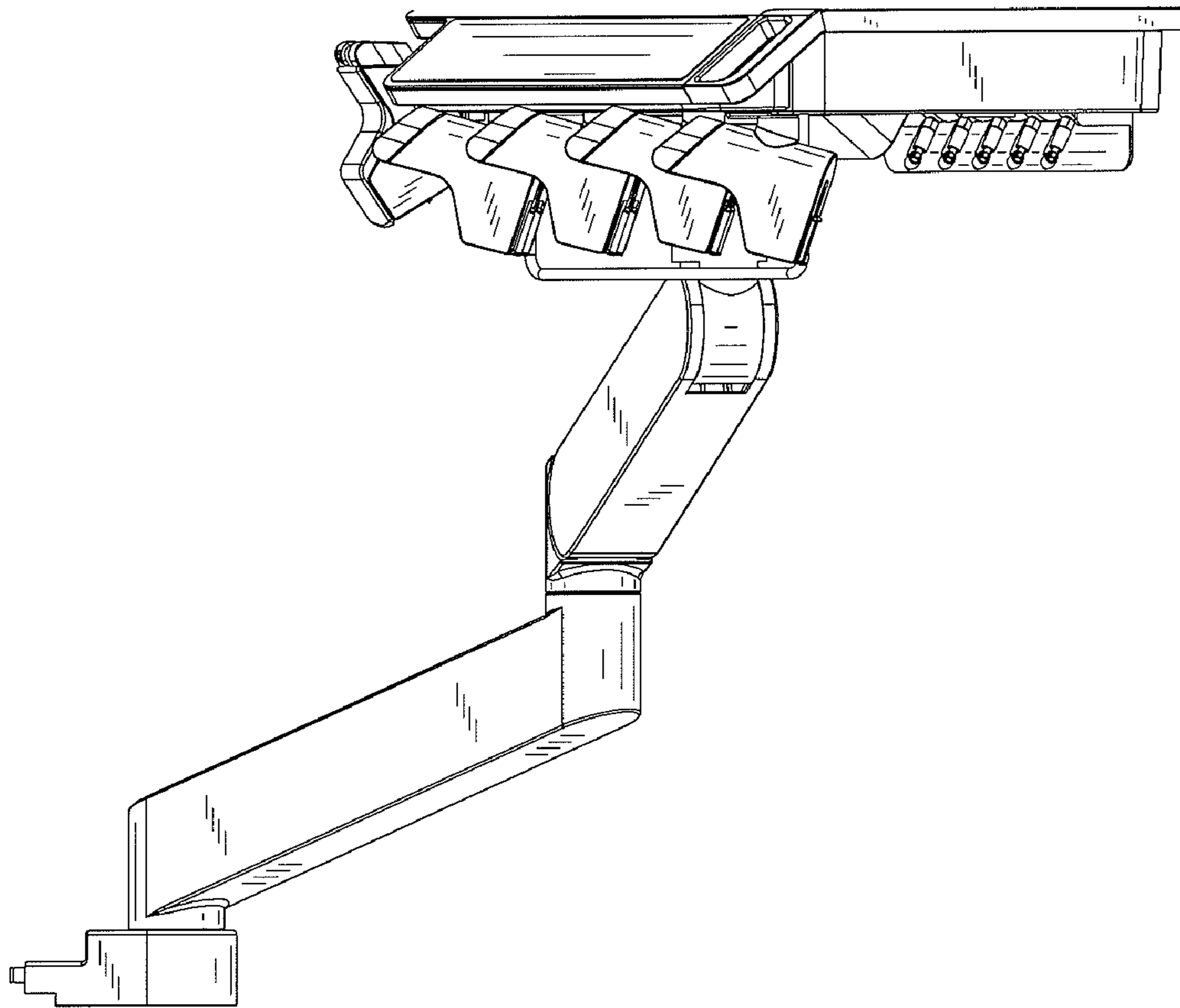


FIG. 5

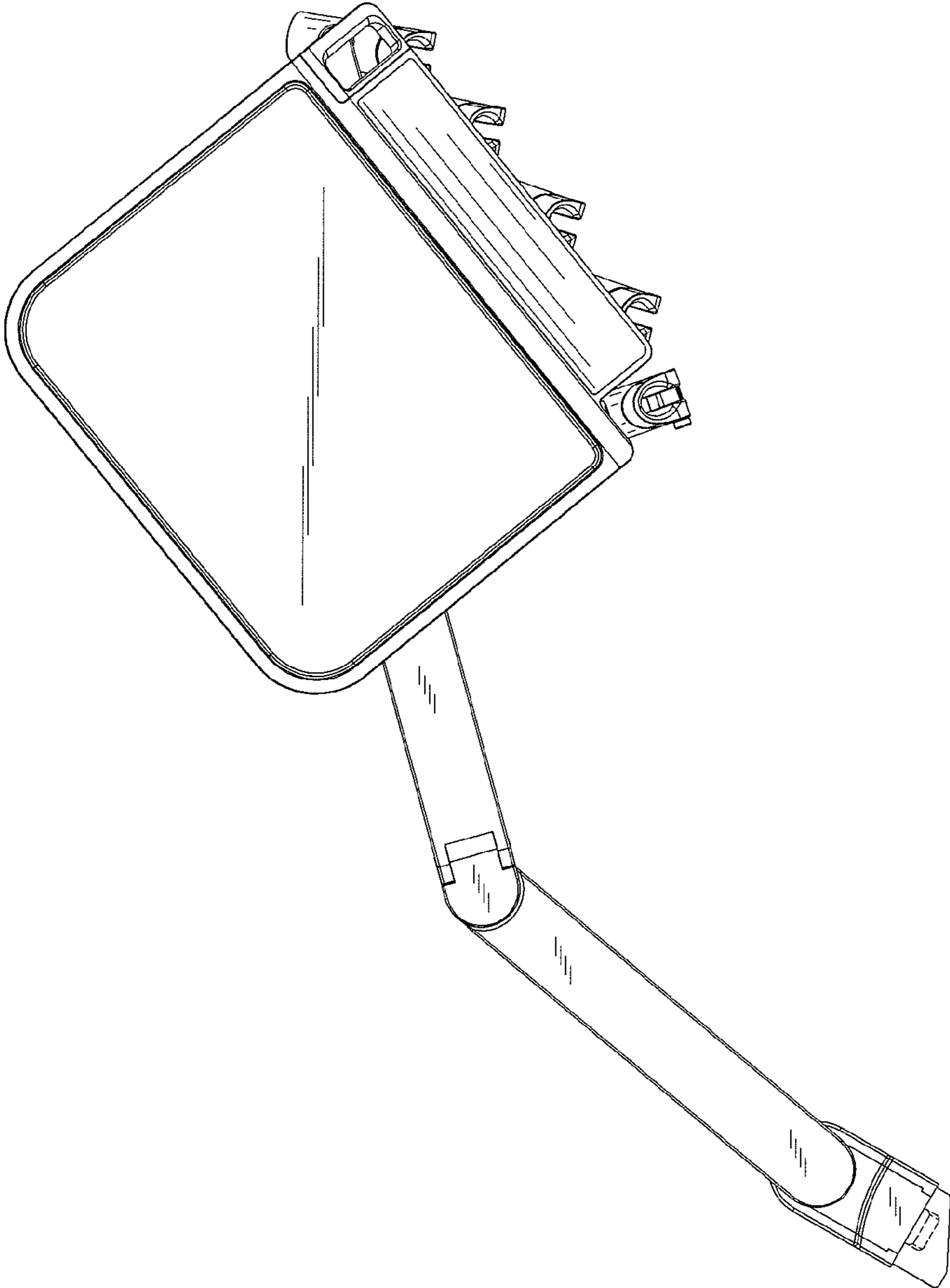


FIG. 6

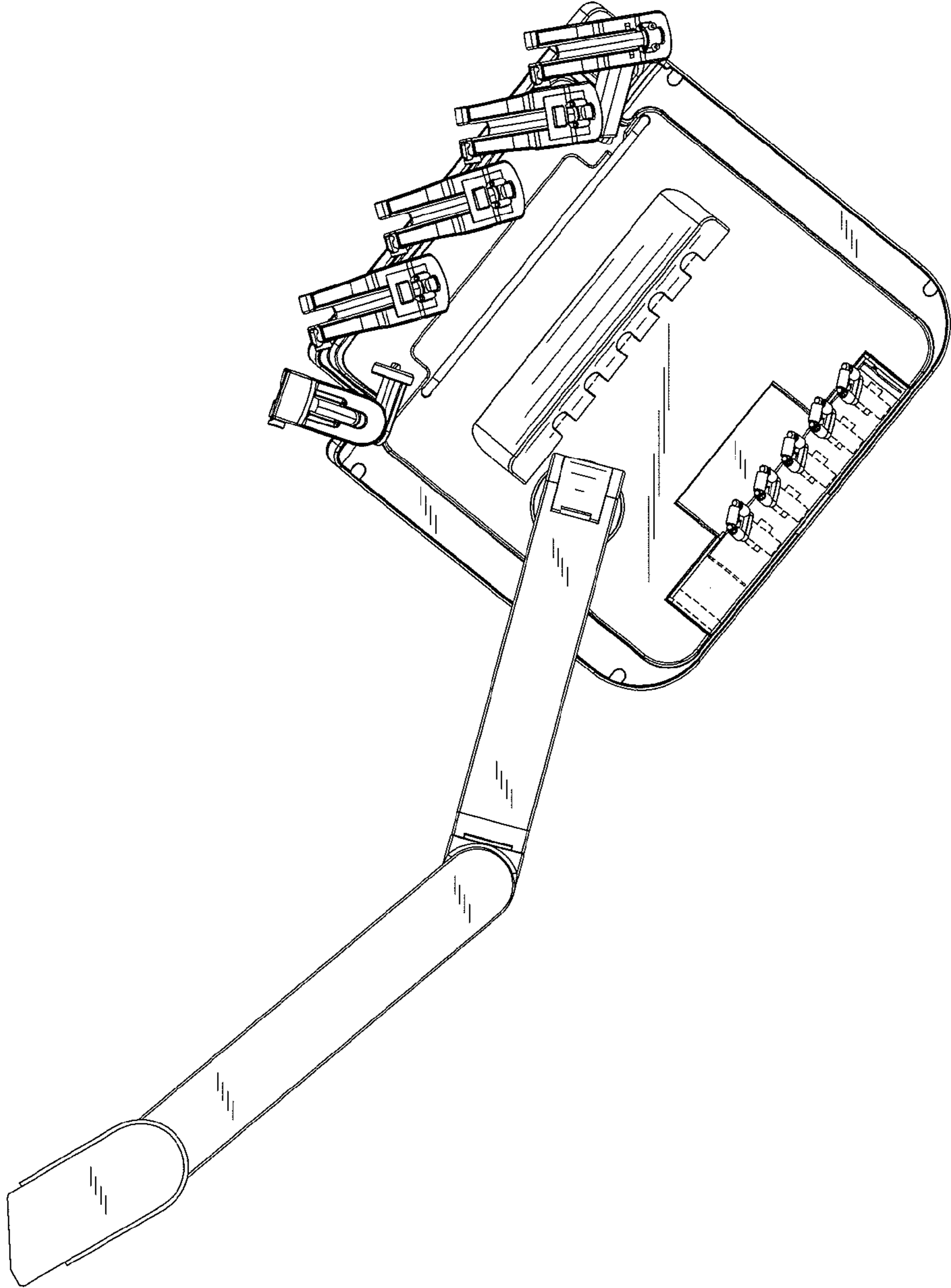


FIG. 7