



US00D665501S

(12) **United States Design Patent**  
**Shibata et al.**

(10) **Patent No.:** **US D665,501 S**

(45) **Date of Patent:** **\*\* Aug. 14, 2012**

(54) **SPHYGMOMANOMETER**

(75) Inventors: **Fumie Shibata**, Tokyo (JP); **Yuki Shibata**, Tokyo (JP); **Yukiko Mitsunami**, Otsu (JP)

(73) Assignee: **Omron Healthcare Co., Ltd.**, Kyoto (JP)

(\*\*) Term: **14 Years**

(21) Appl. No.: **29/406,781**

(22) Filed: **Nov. 18, 2011**

**Related U.S. Application Data**

(62) Division of application No. 29/355,406, filed on Feb. 8, 2010, now Pat. No. Des. 651,716.

(30) **Foreign Application Priority Data**

Aug. 7, 2009	(JP)	2009-018159
Aug. 7, 2009	(JP)	2009-018160
Aug. 7, 2009	(JP)	2009-018161
Aug. 7, 2009	(JP)	2009-018162
Jan. 5, 2010	(JP)	2010-000082
Jan. 5, 2010	(JP)	2010-000083
Jan. 5, 2010	(JP)	2010-000084
Jan. 5, 2010	(JP)	2010-000085

(51) **LOC (9) Cl.** ..... **24-02**

(52) **U.S. Cl.** ..... **D24/165**

(58) **Field of Classification Search** ..... D24/164-169, D24/107, 186, 187; D10/46, 70, 75, 98; 600/301, 481-483, 485, 490, 493-495, 500, 600/503, 509; 128/900

See application file for complete search history.

(56) **References Cited**

**U.S. PATENT DOCUMENTS**

D445,900 S	7/2001	Nalbandian et al.	
D475,788 S *	6/2003	Inagaki et al.	D24/165
D533,279 S	12/2006	Kobayashi et al.	

D533,666 S *	12/2006	Kobayashi et al.	D24/165
D537,944 S *	3/2007	Eda et al.	D24/165
D548,839 S *	8/2007	Kobayakawa et al.	D24/165
D574,497 S	8/2008	Kitamura et al.	
D577,440 S *	9/2008	Ferber et al.	D24/165
D583,060 S	12/2008	Kitamura et al.	
D583,474 S	12/2008	Mitsunami et al.	
D583,475 S	12/2008	Mitsunami et al.	
D598,551 S	8/2009	Miwa et al.	

\* cited by examiner

*Primary Examiner* — Anhdao Doan

(74) *Attorney, Agent, or Firm* — Capitol City TechLaw

(57) **CLAIM**

The ornamental design for a sphygmomanometer, as shown and described.

**DESCRIPTION**

FIG. 1 is a front, top, and right side perspective view of a first embodiment of a sphygmomanometer showing our new design;

FIG. 2 is a rear, bottom, and left side perspective view thereof;

FIG. 3 is a rear, top, and left side perspective view thereof;

FIG. 4 is a front view thereof;

FIG. 5 is a rear view thereof;

FIG. 6 is a top view thereof;

FIG. 7 is a bottom view thereof;

FIG. 8 is a right side view thereof;

FIG. 9 is a left side view thereof;

FIG. 10 is a front, top, and right side perspective view of a second embodiment of a sphygmomanometer showing our new design;

FIG. 11 is a rear, bottom, and left side perspective view thereof;

FIG. 12 is a rear, top, and left side perspective view thereof;

FIG. 13 is a front view thereof;

FIG. 14 is a rear view thereof;

FIG. 15 is a top view thereof;

FIG. 16 is a bottom view thereof;

FIG. 17 is a right side view thereof; and,

FIG. 18 is a left side view thereof.

**1 Claim, 18 Drawing Sheets**

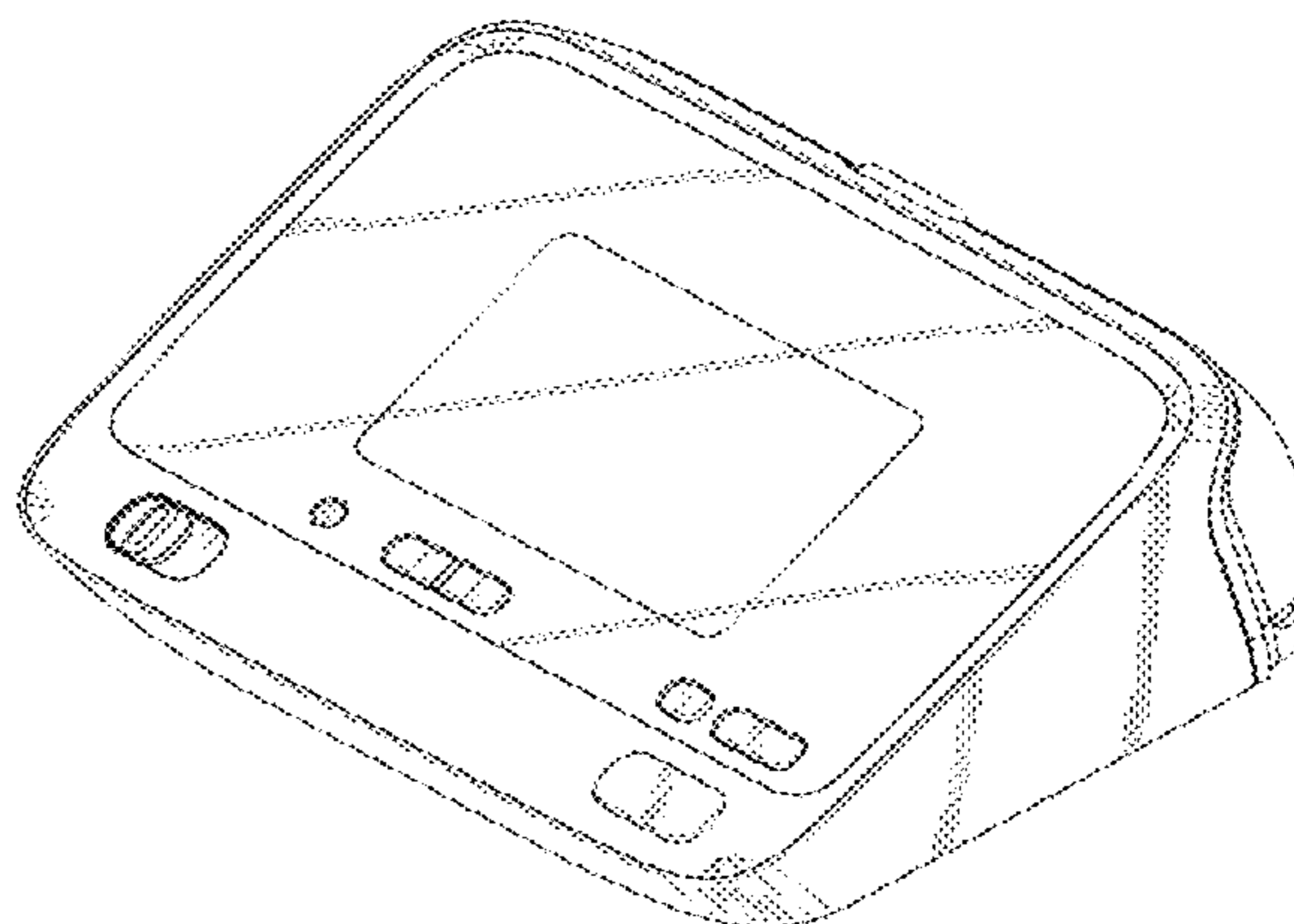
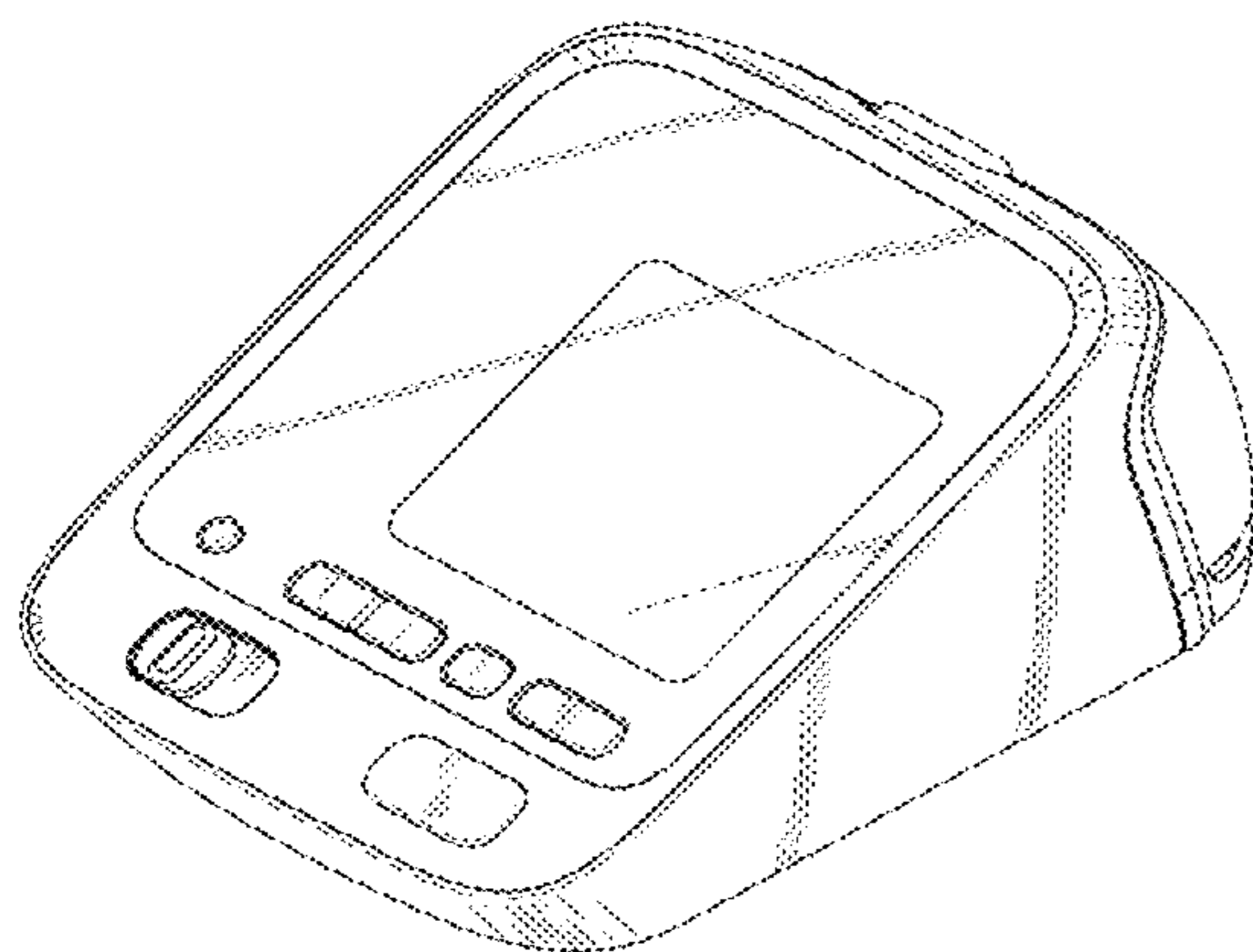


Fig. 1

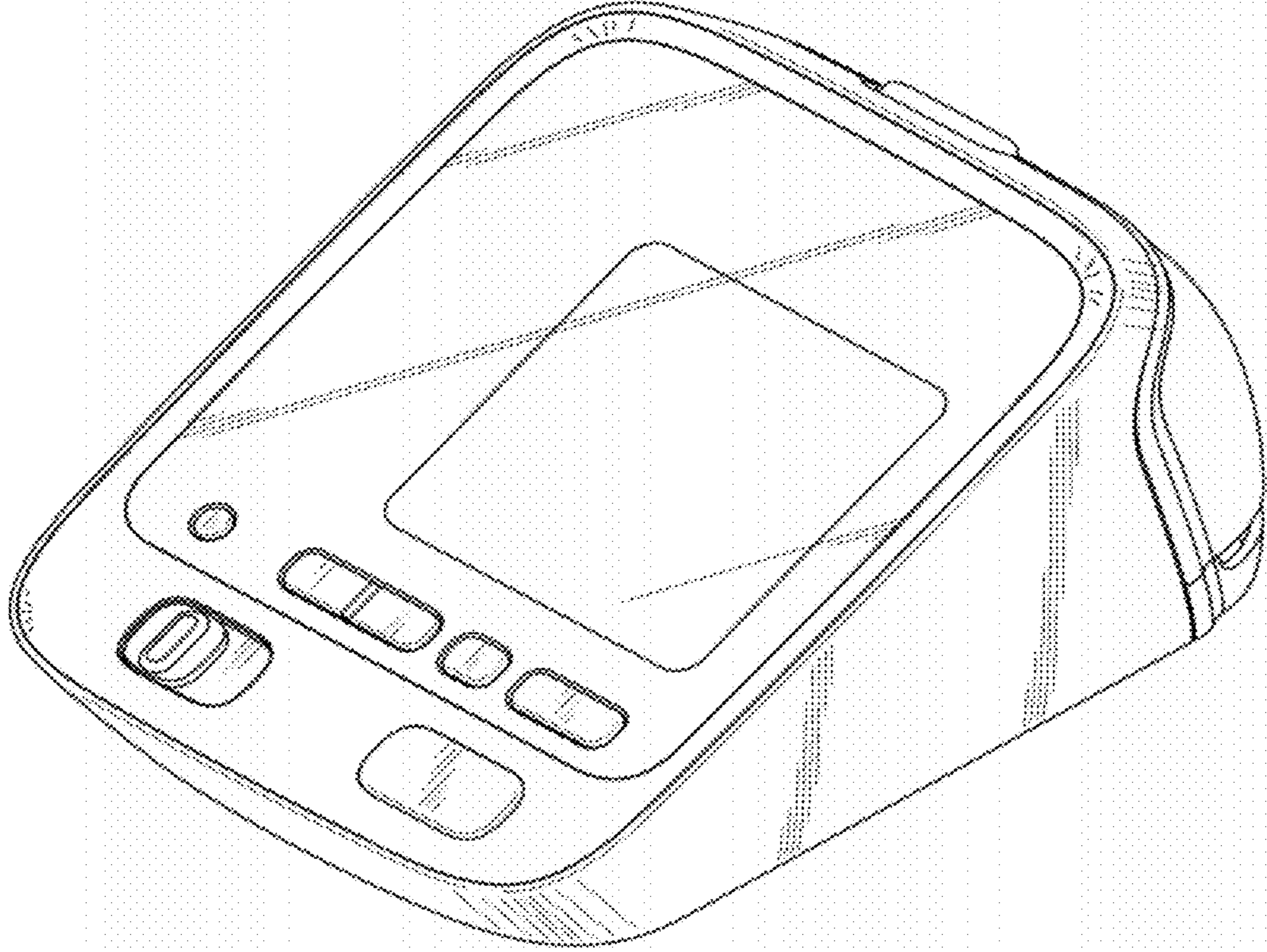




Fig. 2

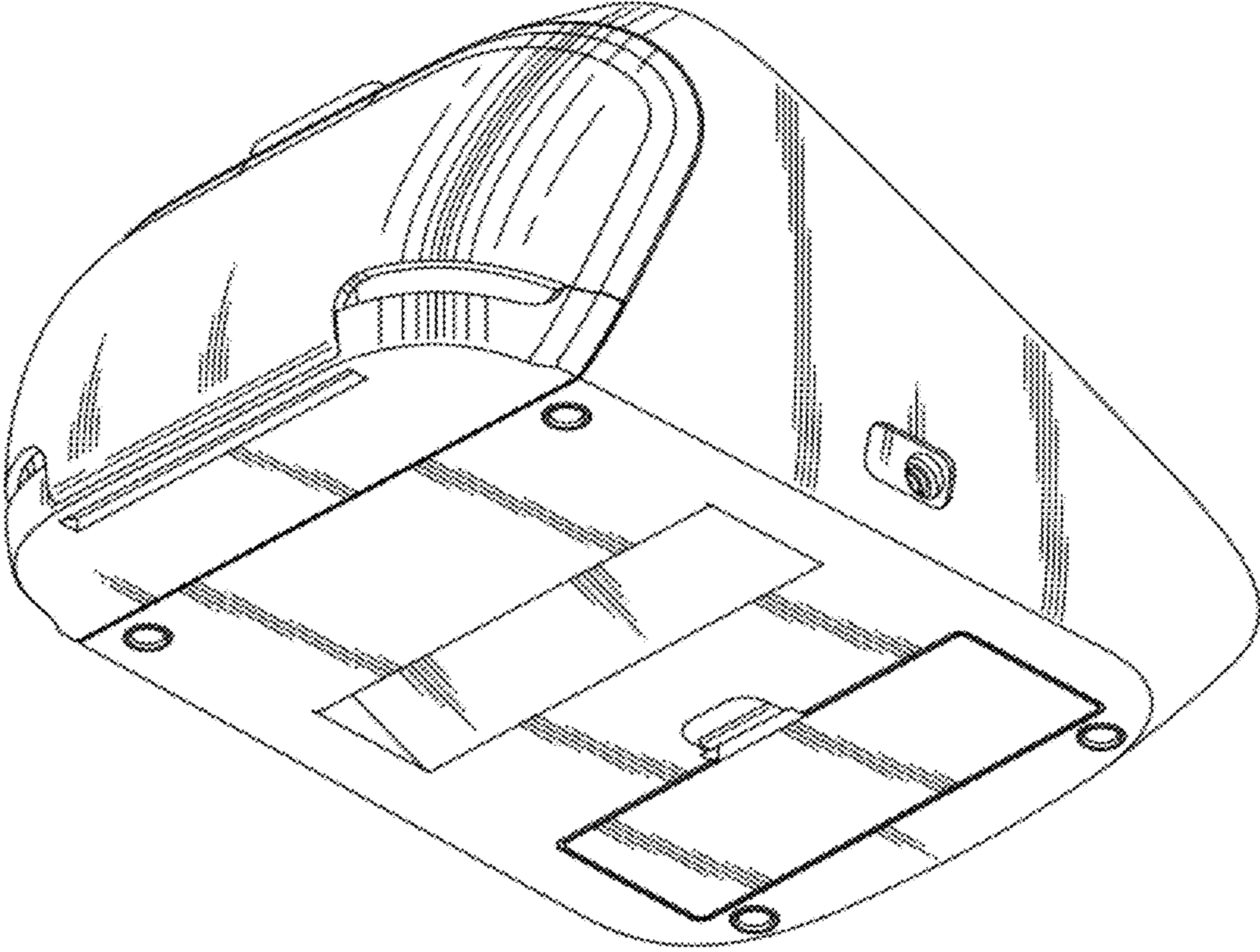


Fig. 3

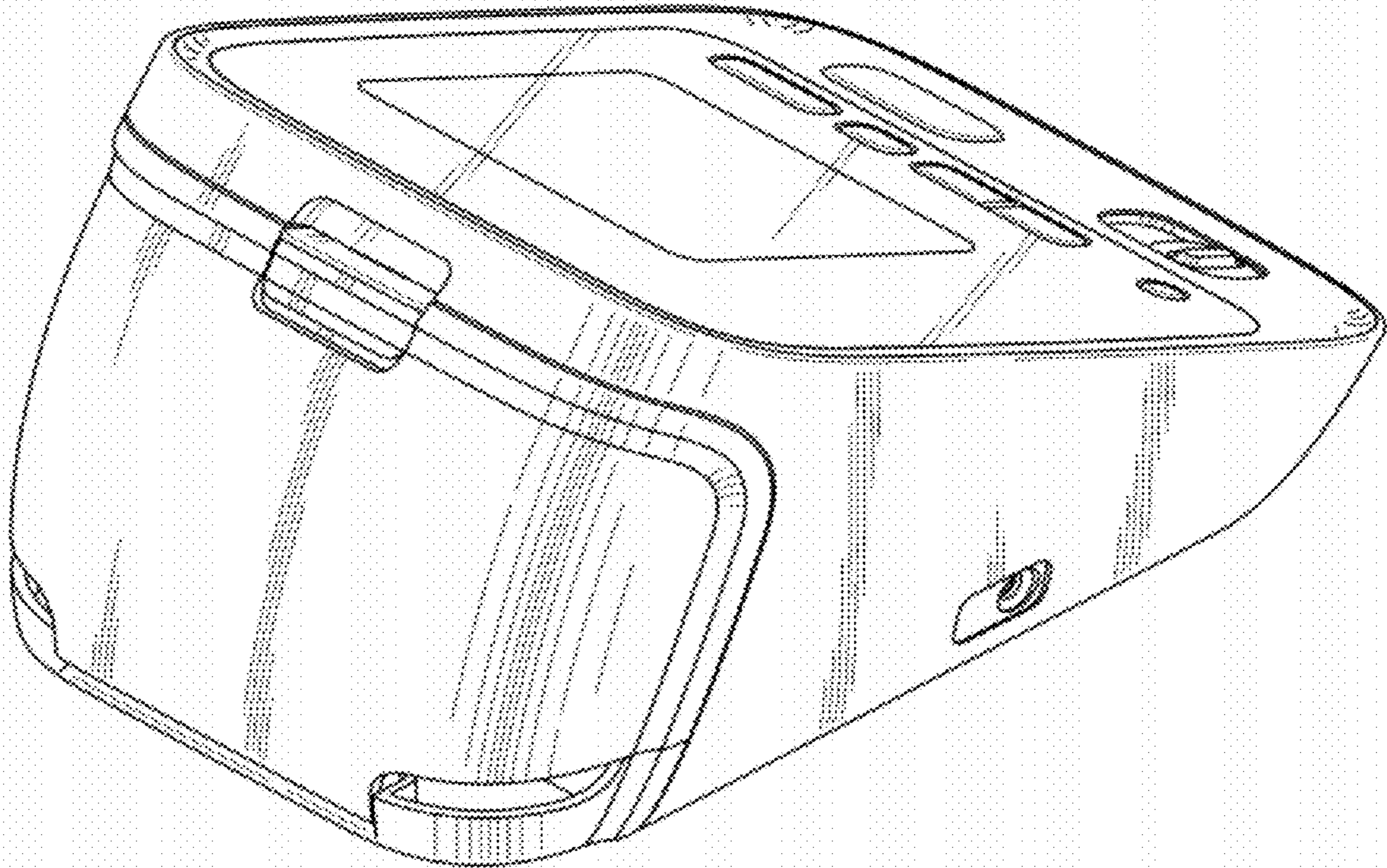


Fig. 4

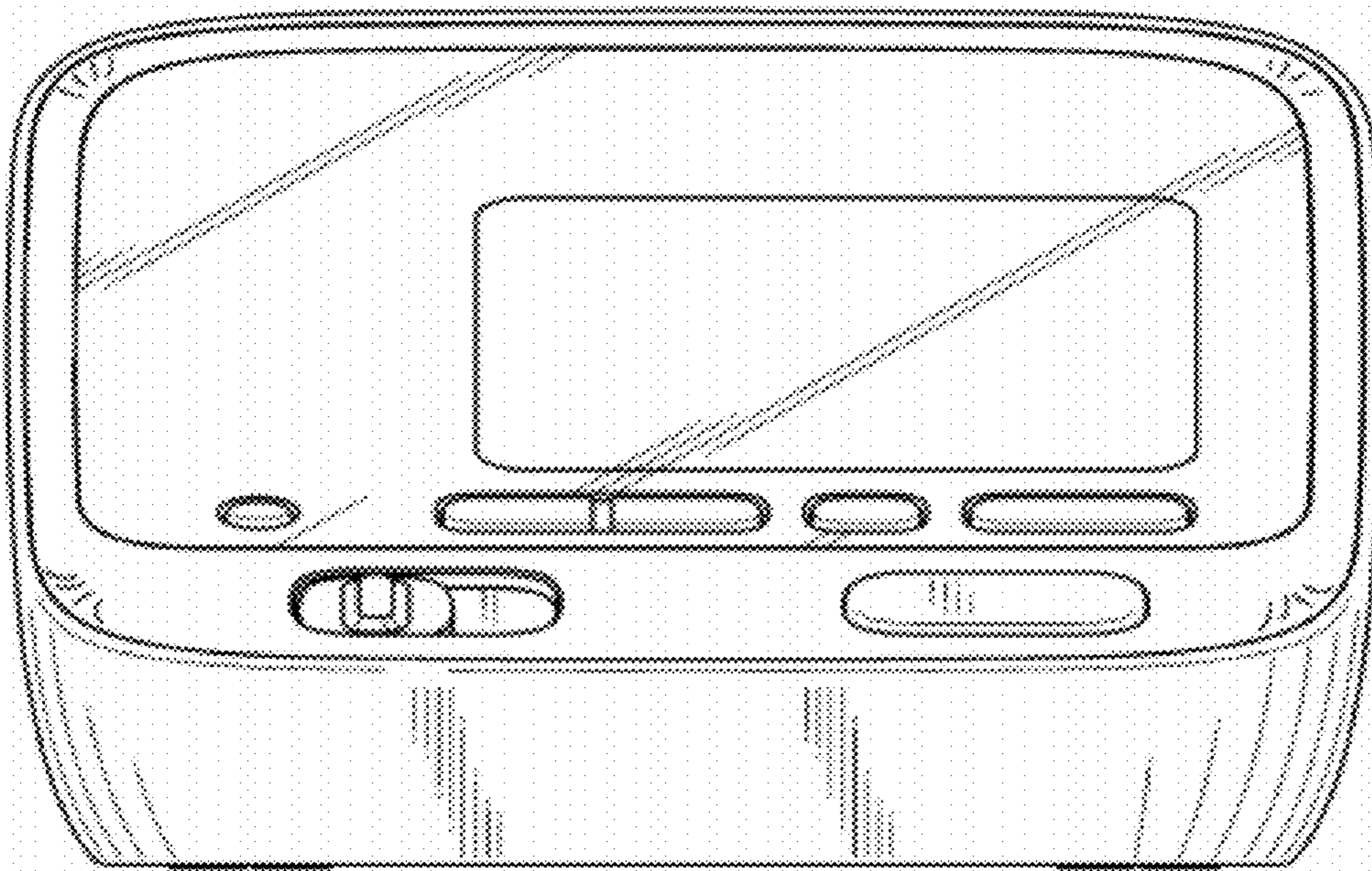




Fig. 5

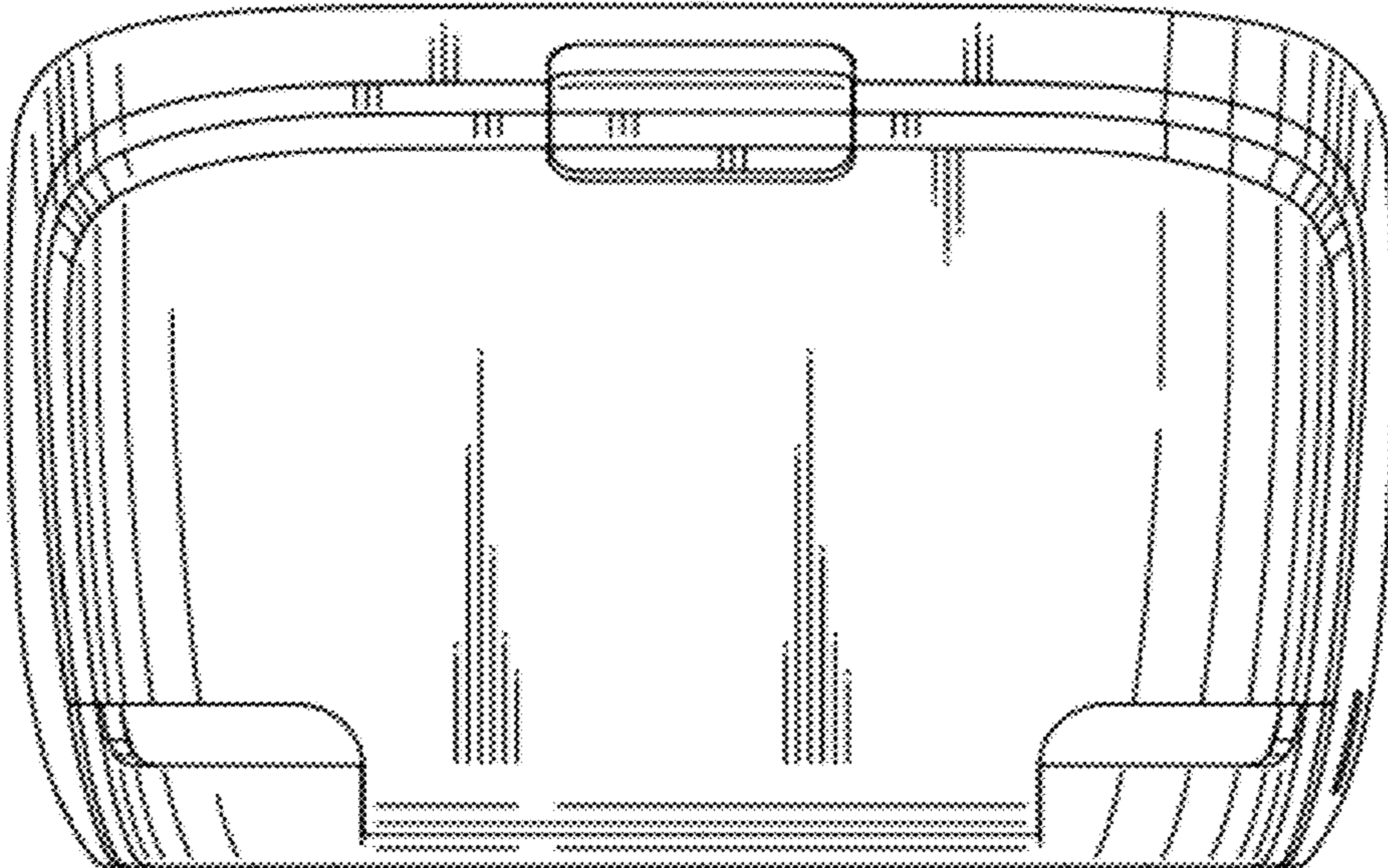


Fig. 6

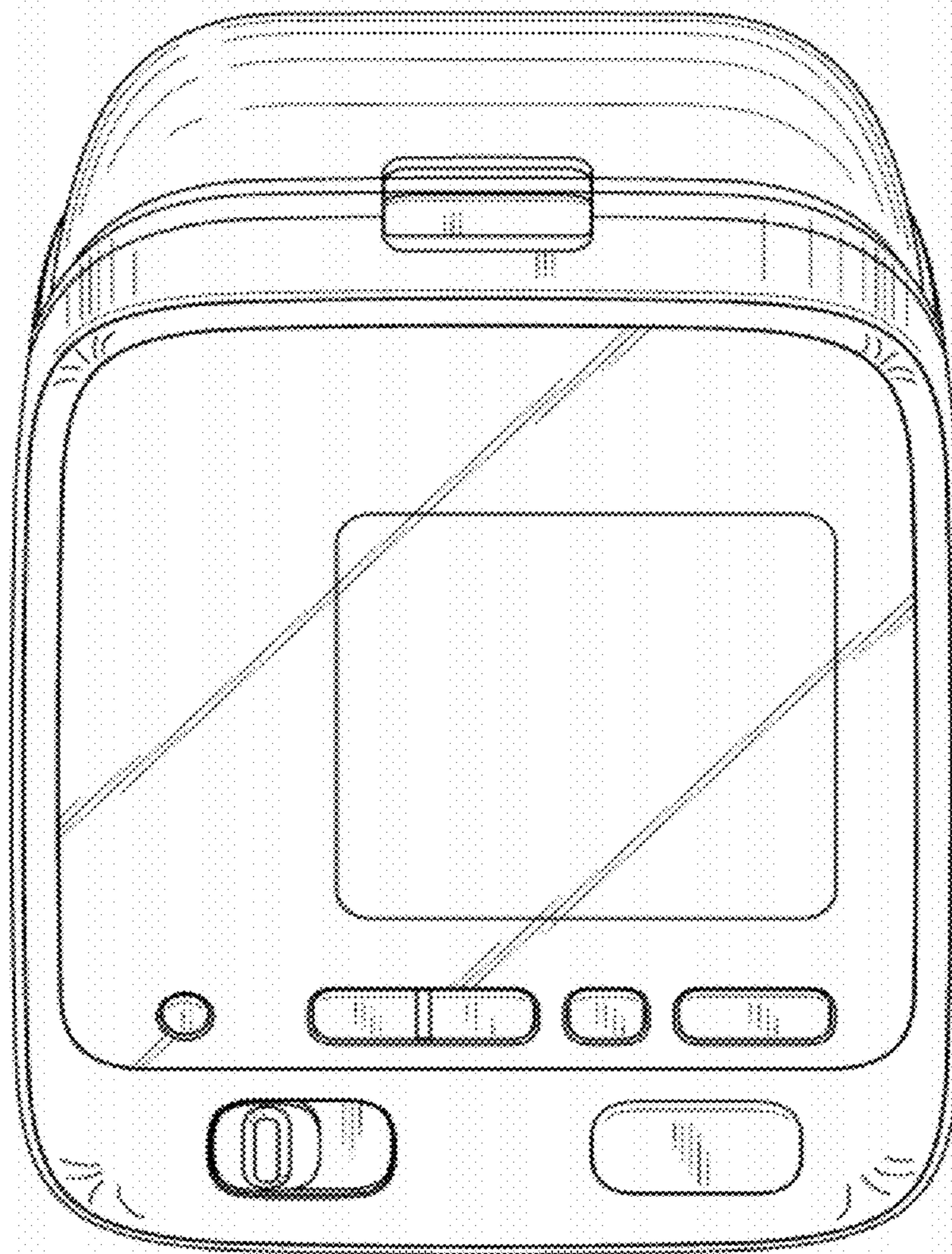


Fig. 7

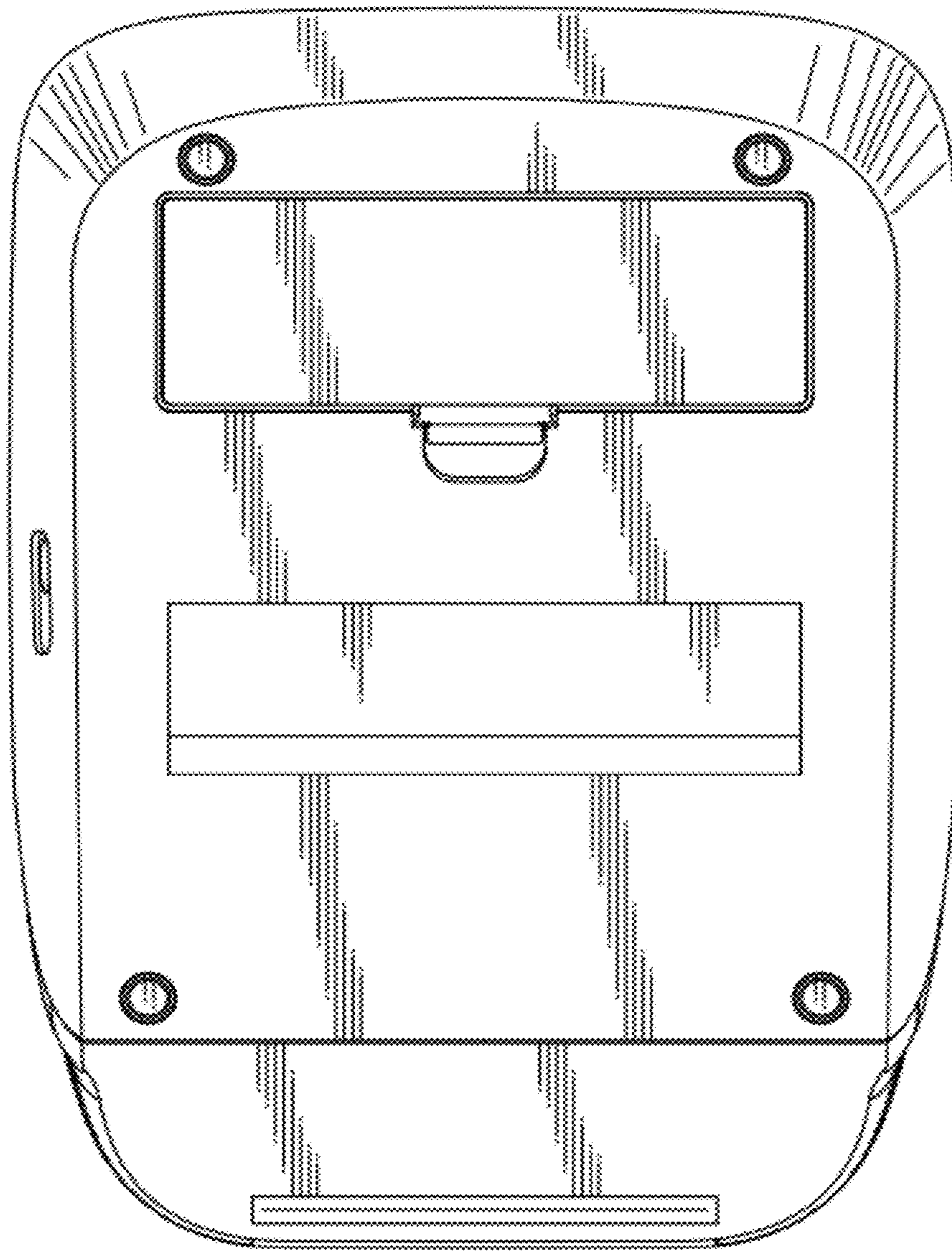




Fig. 8

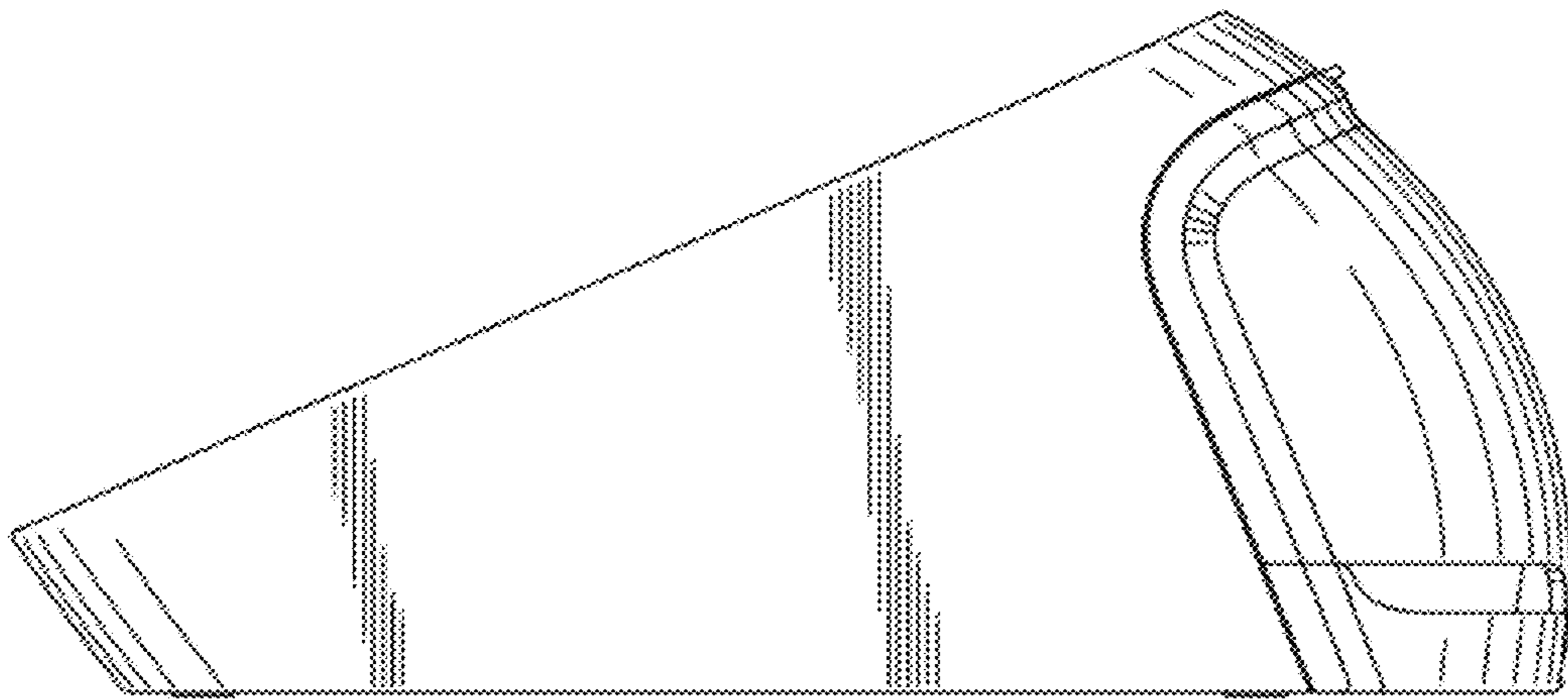


Fig. 9

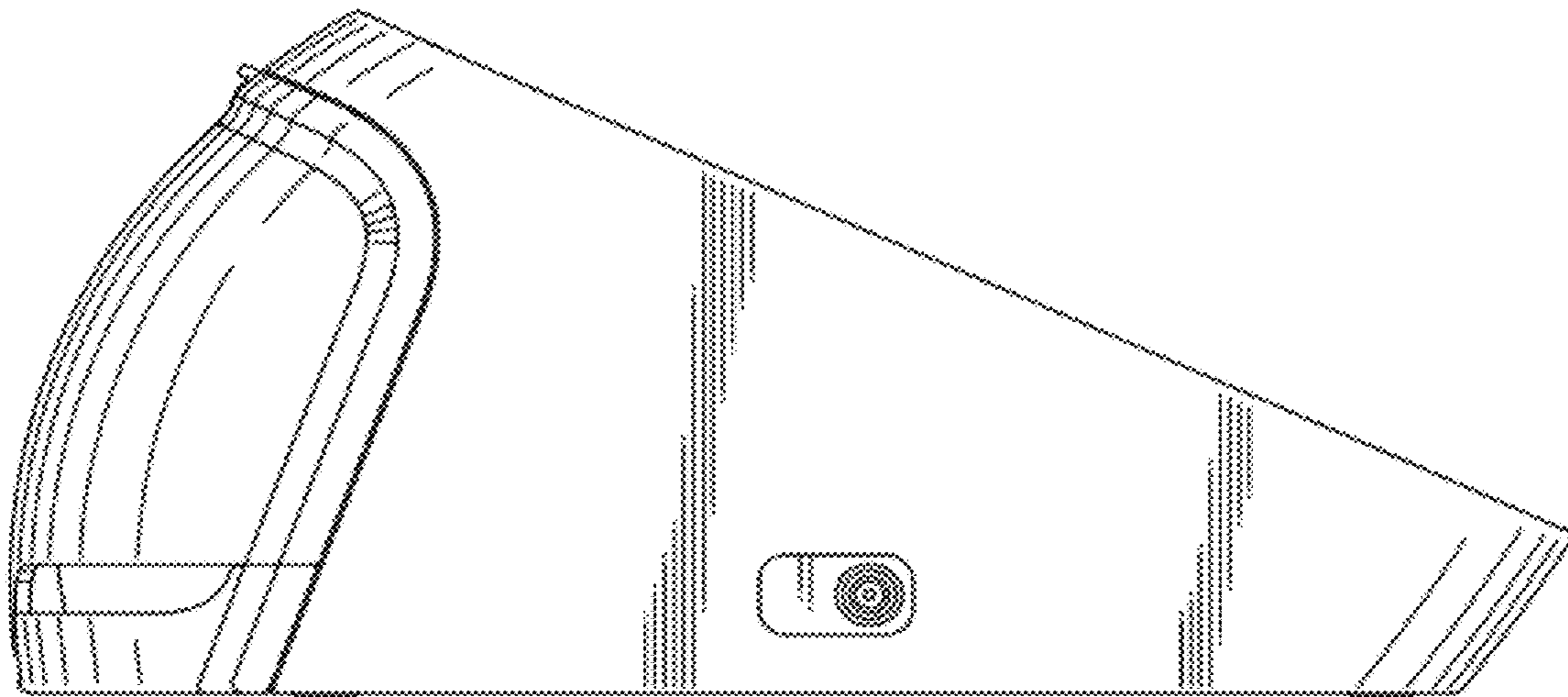


Fig. 10

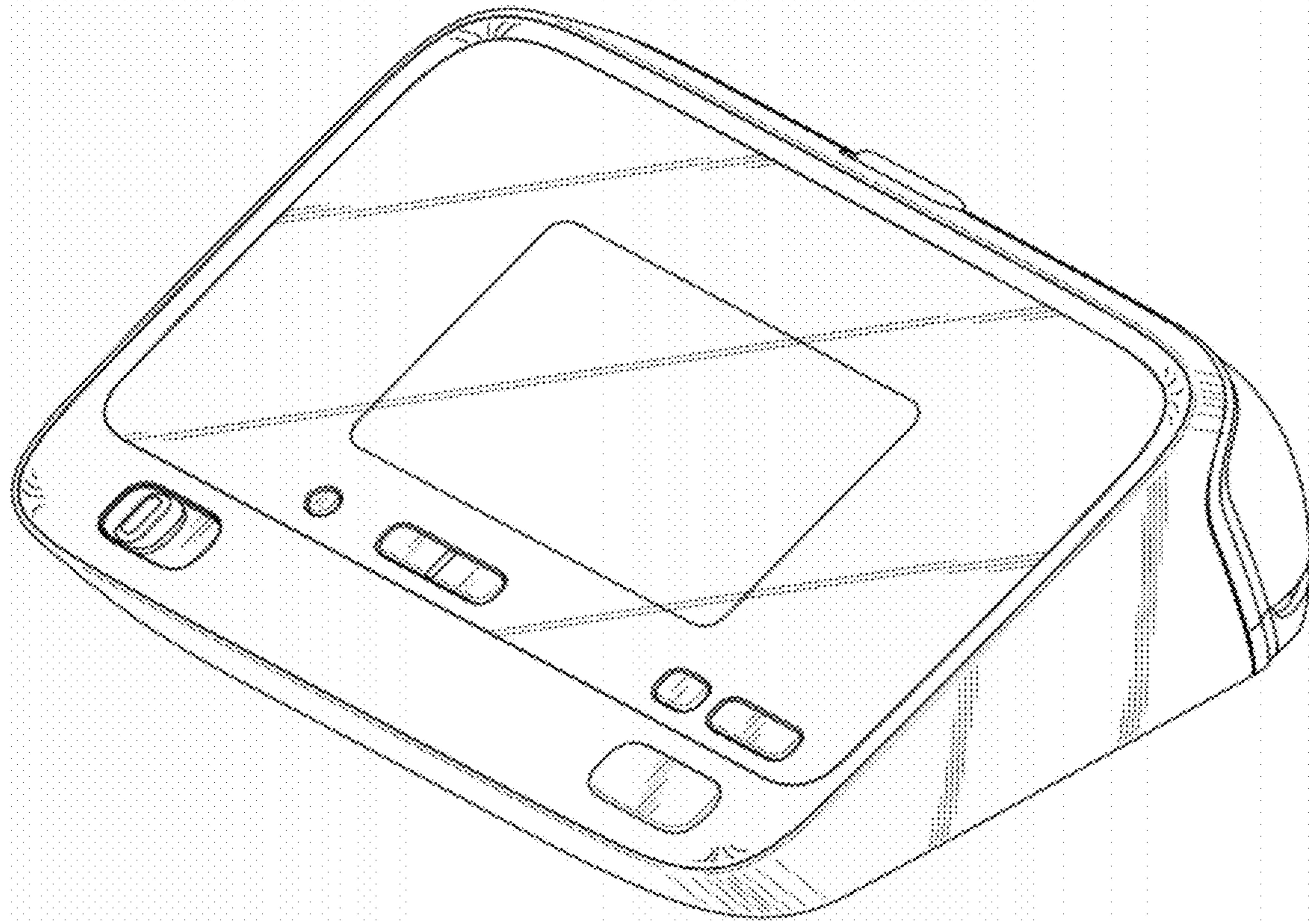




Fig. 11

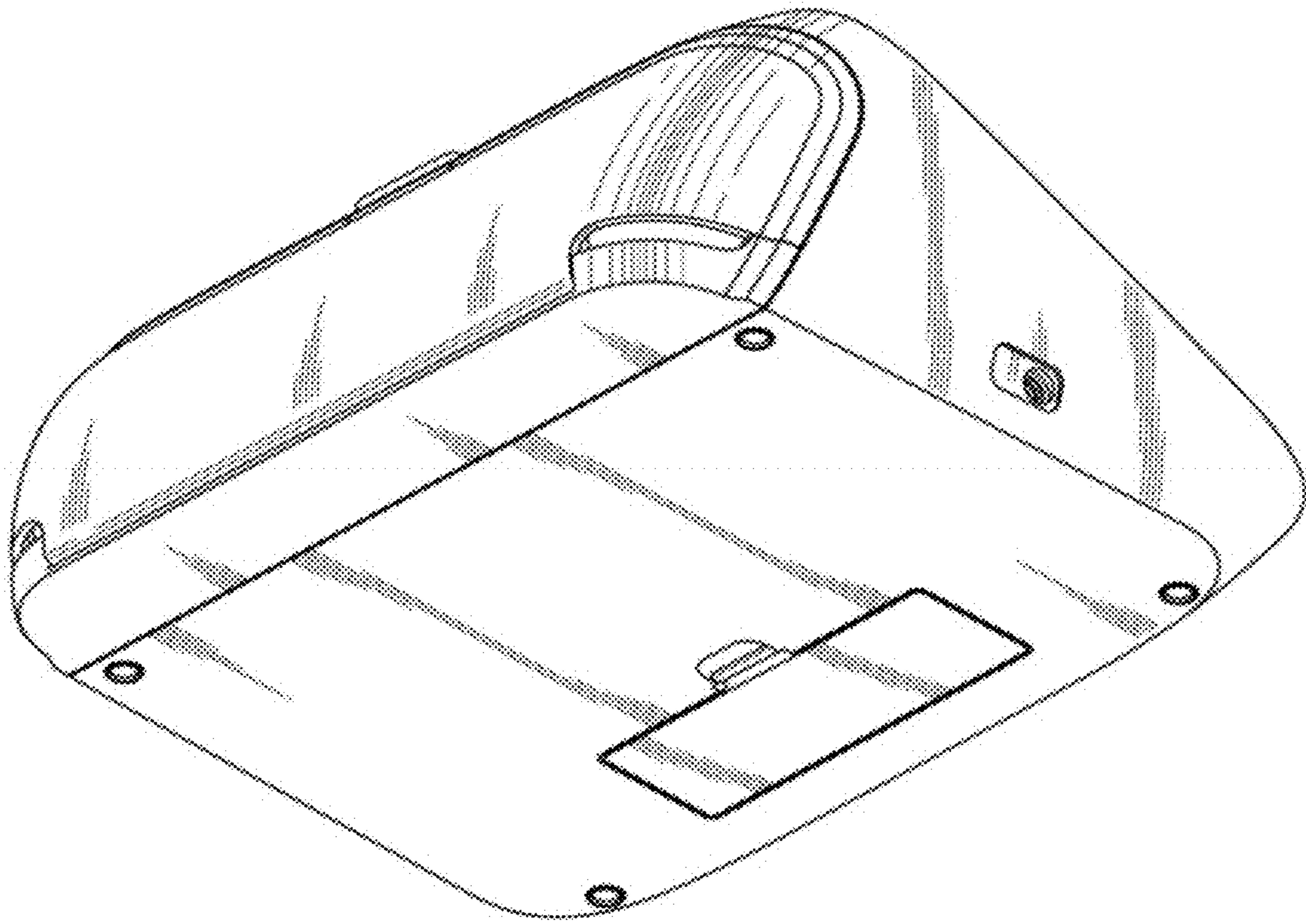


Fig. 12

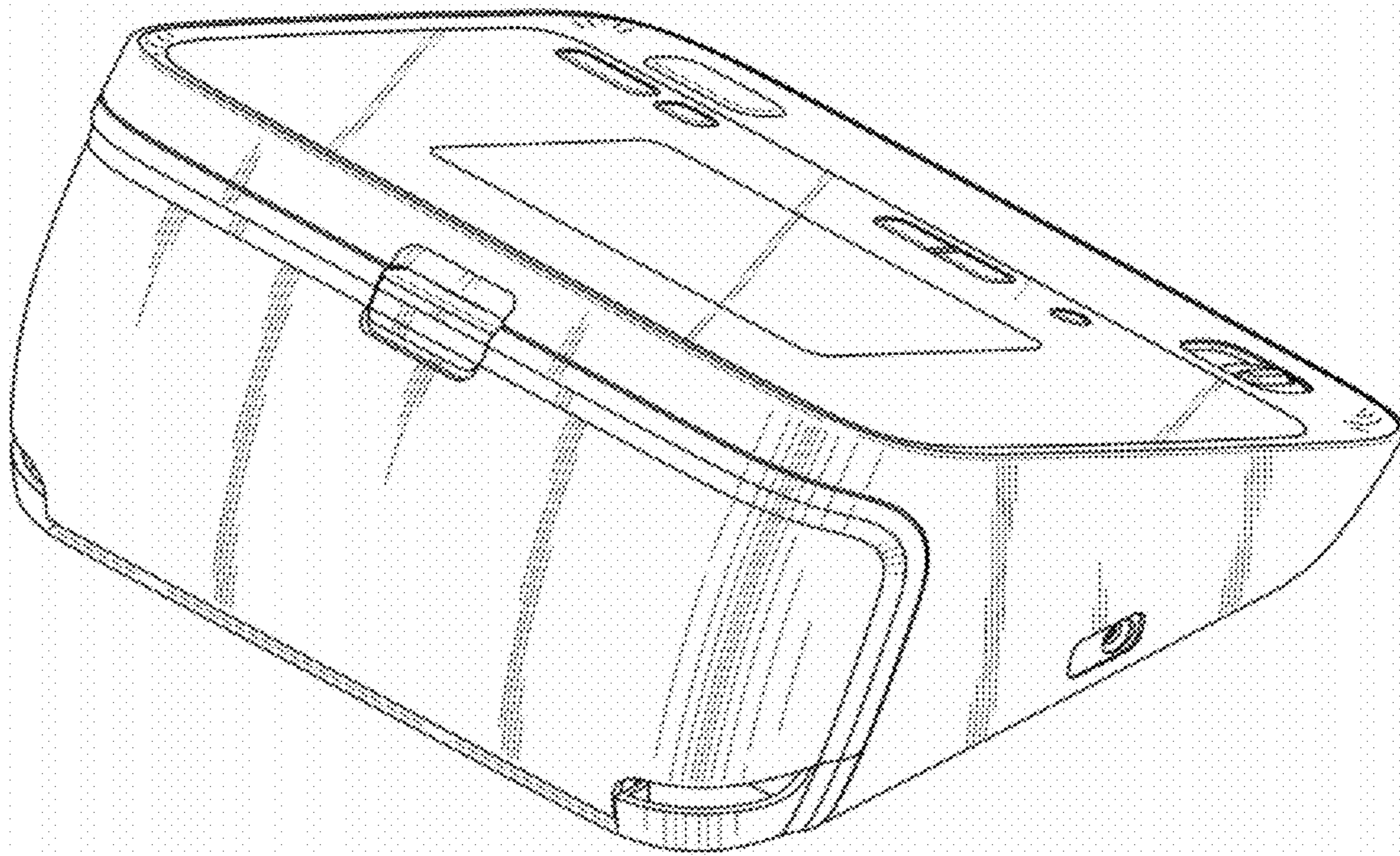


Fig. 13

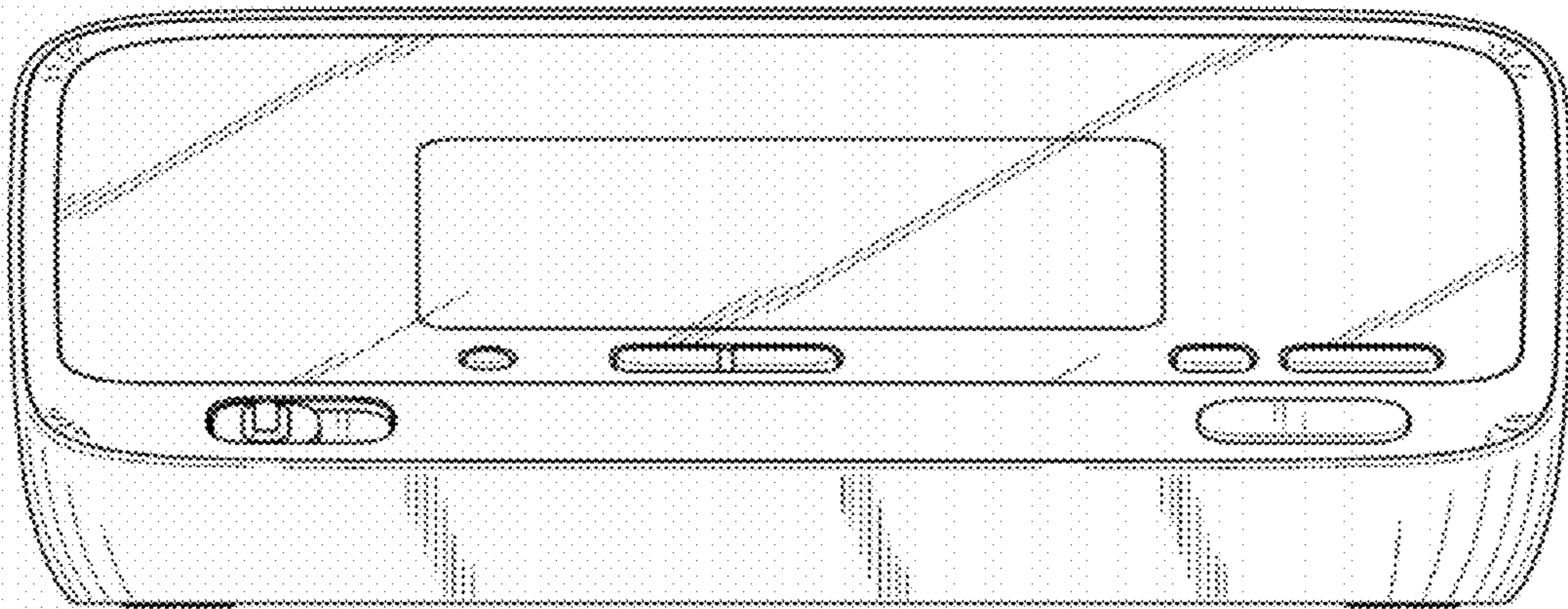




Fig. 14

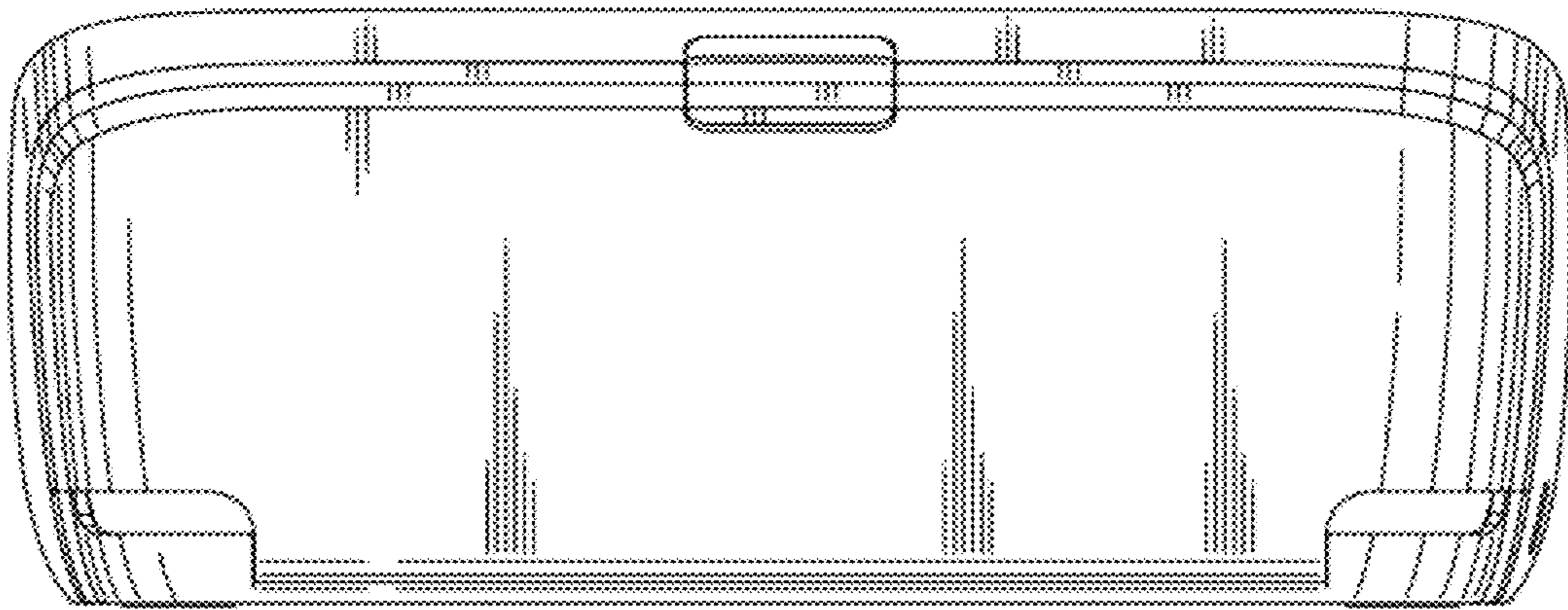


Fig. 15

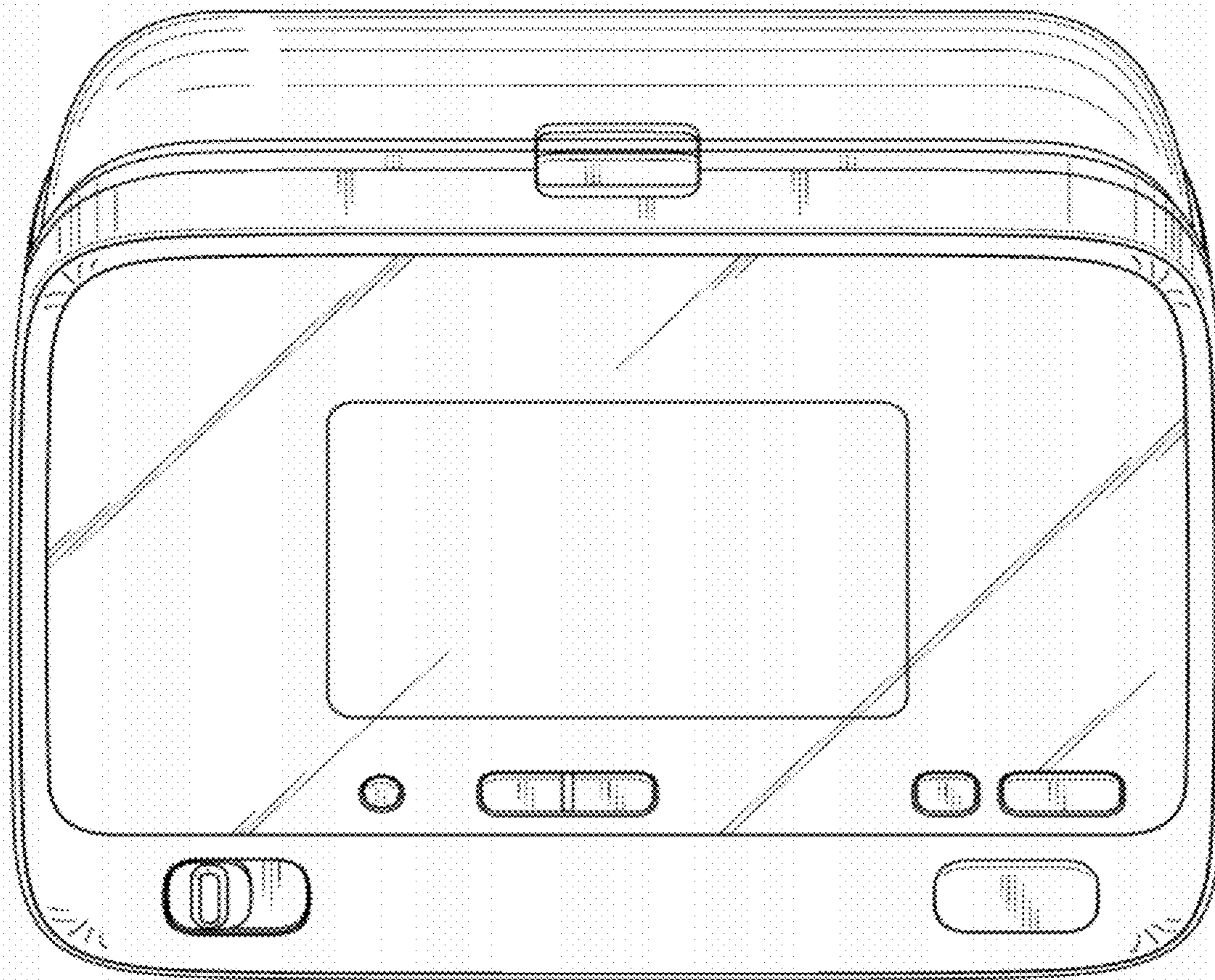


Fig. 16

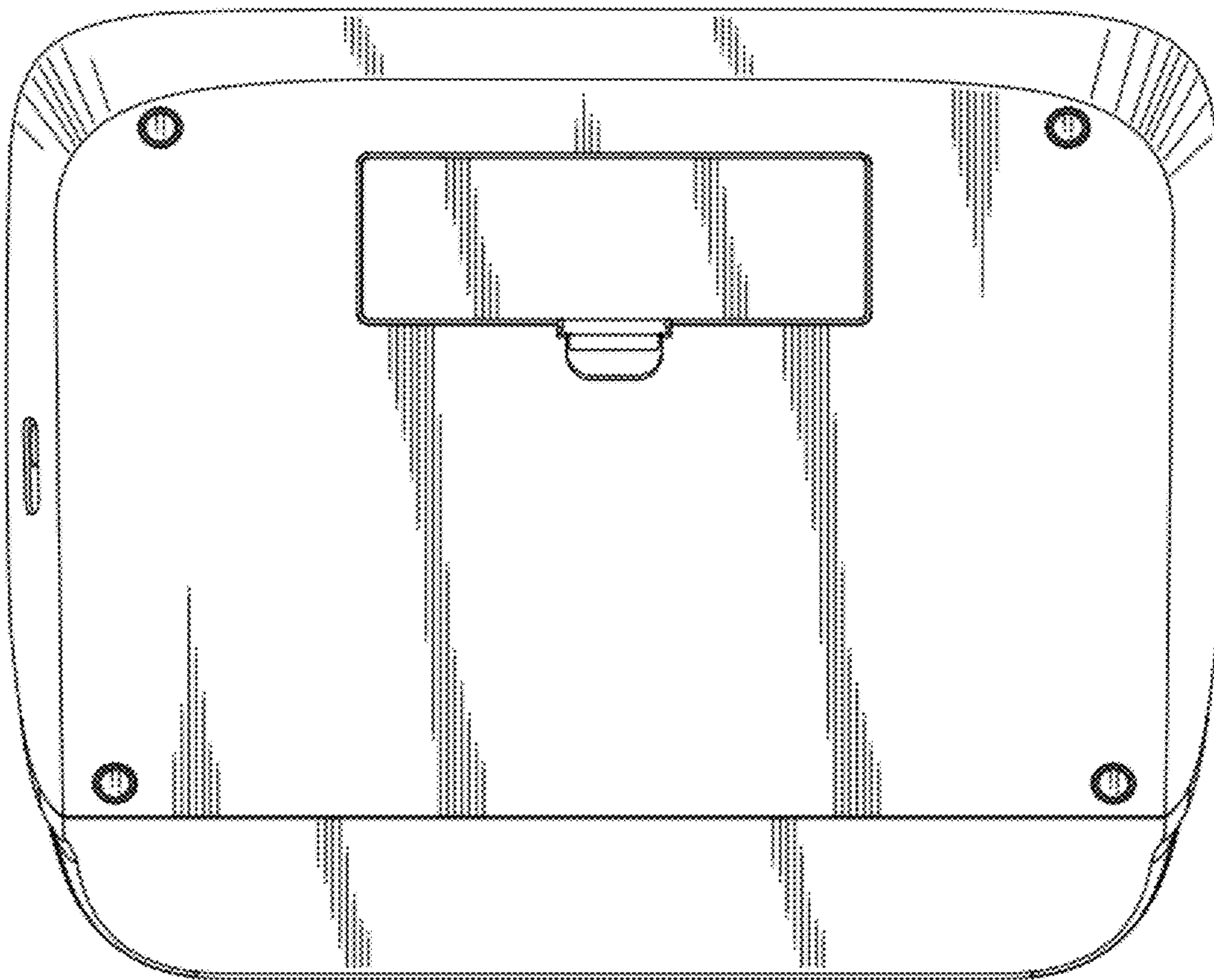




Fig. 17

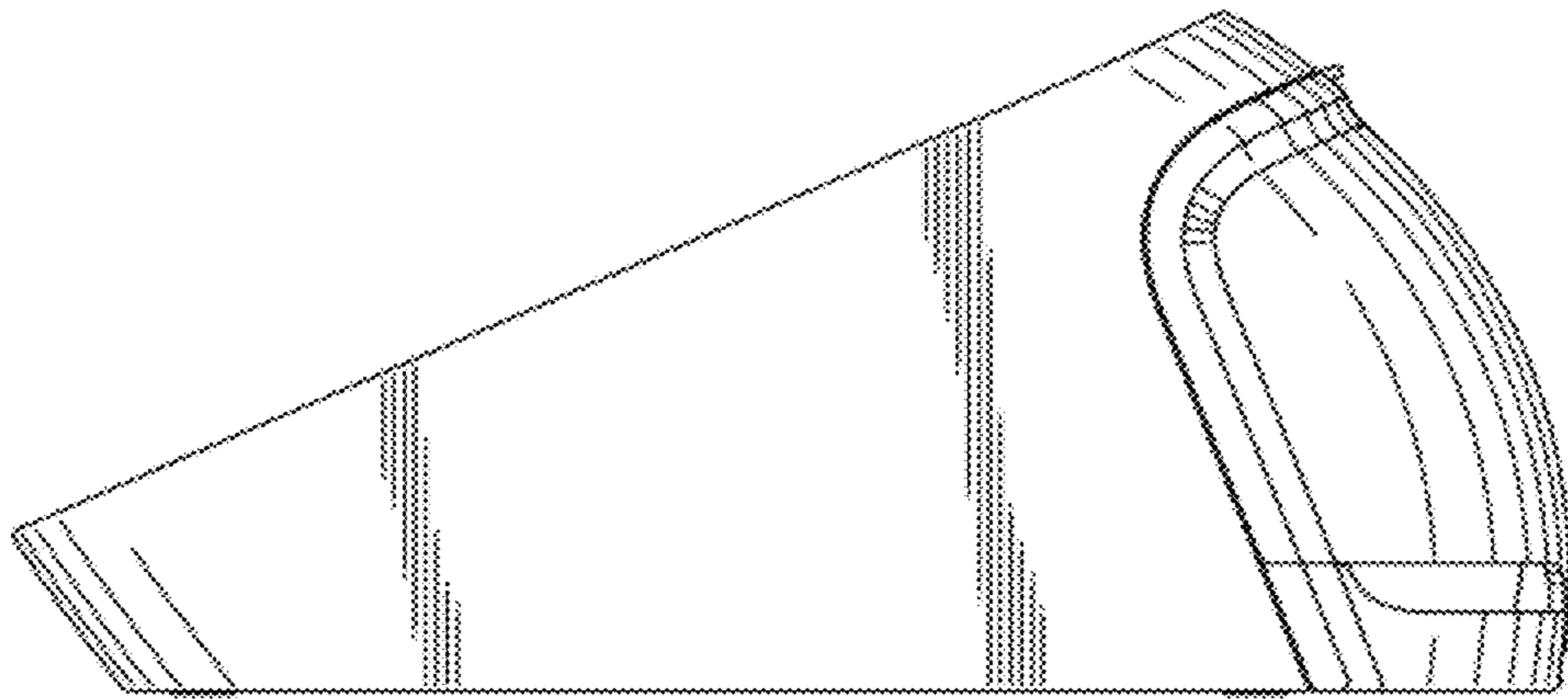


Fig. 18

