



US00D665498S

(12) **United States Design Patent**
Tamura et al.

(10) **Patent No.:** **US D665,498 S**

(45) **Date of Patent:** **** Aug. 14, 2012**

(54) **GASKET FOR INJECTOR**

(75) Inventors: **Masahiro Tamura**, Osaka (JP); **Masaru Ishimoto**, Saitama (JP)

(73) Assignee: **Fuso Pharmaceutical Industries, Ltd.**, Osaka-Shi, Osaka (JP)

(**) Term: **14 Years**

(21) Appl. No.: **29/397,038**

(22) Filed: **Jul. 11, 2011**

(30) **Foreign Application Priority Data**

Jan. 11, 2011 (JP) D 2011-363

(51) **LOC (9) Cl.** **24-02**

(52) **U.S. Cl.** **D24/130**

(58) **Field of Classification Search** D24/112,
D24/114, 127, 130; 206/363-364, 367; 604/54,
604/110, 192, 263, 295

See application file for complete search history.

(56) **References Cited**

U.S. PATENT DOCUMENTS

D205,269	S	*	7/1966	Gray	D24/130
D287,053	S	*	12/1986	Bucchianeri et al.	D24/130
4,921,486	A	*	5/1990	DeChellis et al.	604/110
4,973,308	A	*	11/1990	Borras et al.	604/110
5,057,087	A	*	10/1991	Harmon	604/198
5,106,372	A	*	4/1992	Ranford	604/110
5,395,339	A	*	3/1995	Talonn et al.	604/111
5,722,951	A	*	3/1998	Marano	604/110
6,129,712	A	*	10/2000	Sudo et al.	604/218
6,511,459	B1	*	1/2003	Fago	604/181
6,716,199	B2	*	4/2004	DeHarde et al.	604/263

D540,467	S	*	4/2007	Mori	D24/130
D578,210	S	*	10/2008	Muta et al.	D24/114
D583,938	S	*	12/2008	Sudo	D24/130
D589,612	S	*	3/2009	Sudo	D24/130
7,588,556	B2	*	9/2009	Byrne et al.	604/110
7,763,006	B2	*	7/2010	Tennican	604/500
7,766,882	B2	*	8/2010	Sudo et al.	604/218
D632,389	S	*	2/2011	Maeda et al.	D24/130
D632,784	S	*	2/2011	Maeda et al.	D24/130
D633,202	S	*	2/2011	Maeda et al.	D24/130
2001/0053886	A1	*	12/2001	Caizza	604/110
2005/0137533	A1	*	6/2005	Sudo et al.	604/218
2006/0178643	A1	*	8/2006	Sudo et al.	604/230
2008/0281266	A1	*	11/2008	Walton et al.	604/110
2010/0042055	A1	*	2/2010	Sudo et al.	604/218

* cited by examiner

Primary Examiner — Eric Goodman

(74) *Attorney, Agent, or Firm* — Buchanan Ingersoll & Rooney PC

(57) **CLAIM**

The ornamental design for a gasket for injector, as shown and described.

DESCRIPTION

FIG. 1 is a perspective view of a gasket for injector showing our new design;

FIG. 2 is a front elevational view thereof, a rear elevational view being a mirror image thereof;

FIG. 3 is a left side view thereof, a right side view being a mirror image thereof;

FIG. 4 is a top plan view thereof;

FIG. 5 is a bottom plan view thereof; and,

FIG. 6 is a cross-sectional view taken along the line of VI-VI of FIG. 2.

1 Claim, 3 Drawing Sheets

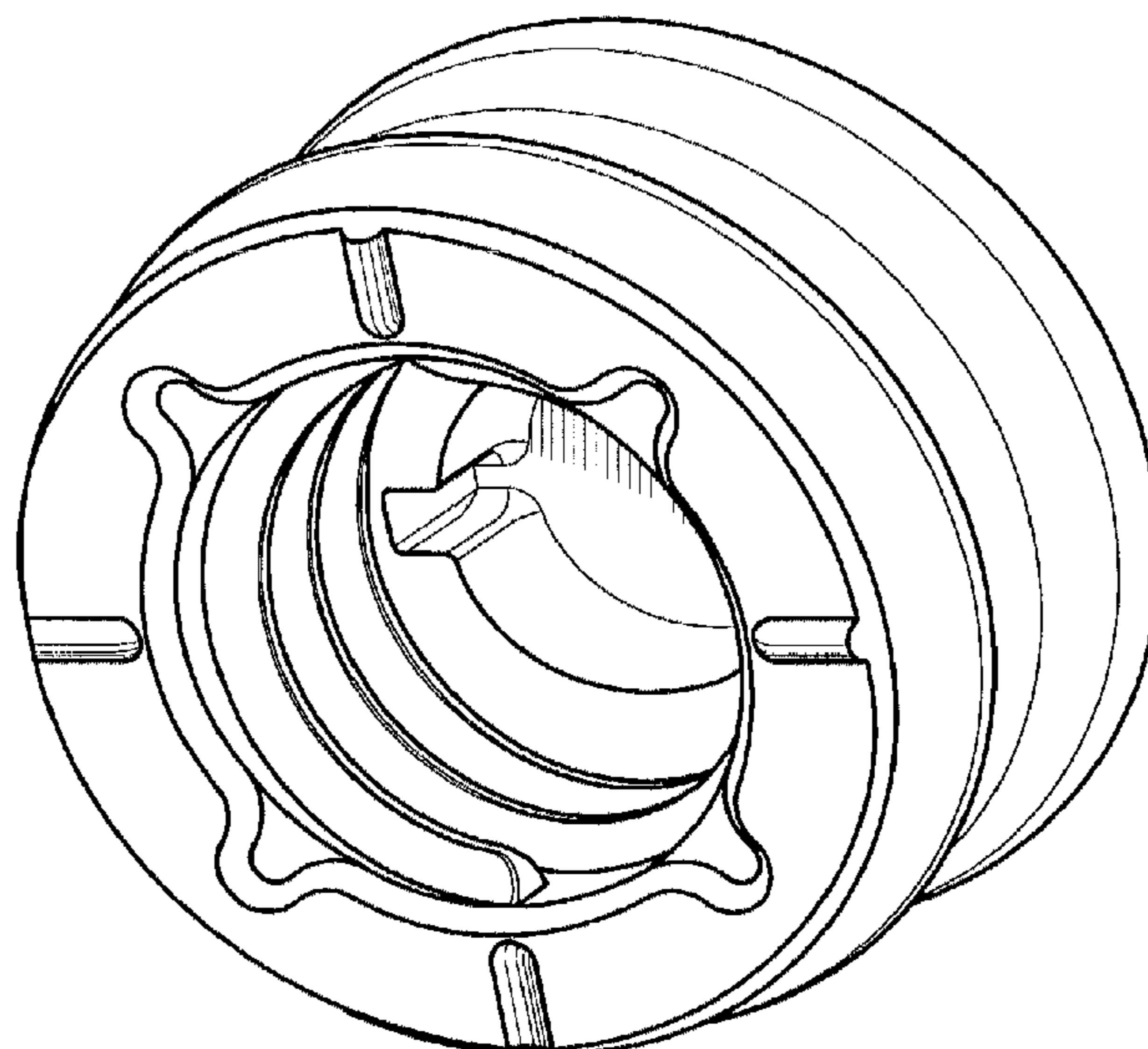


Fig. 1

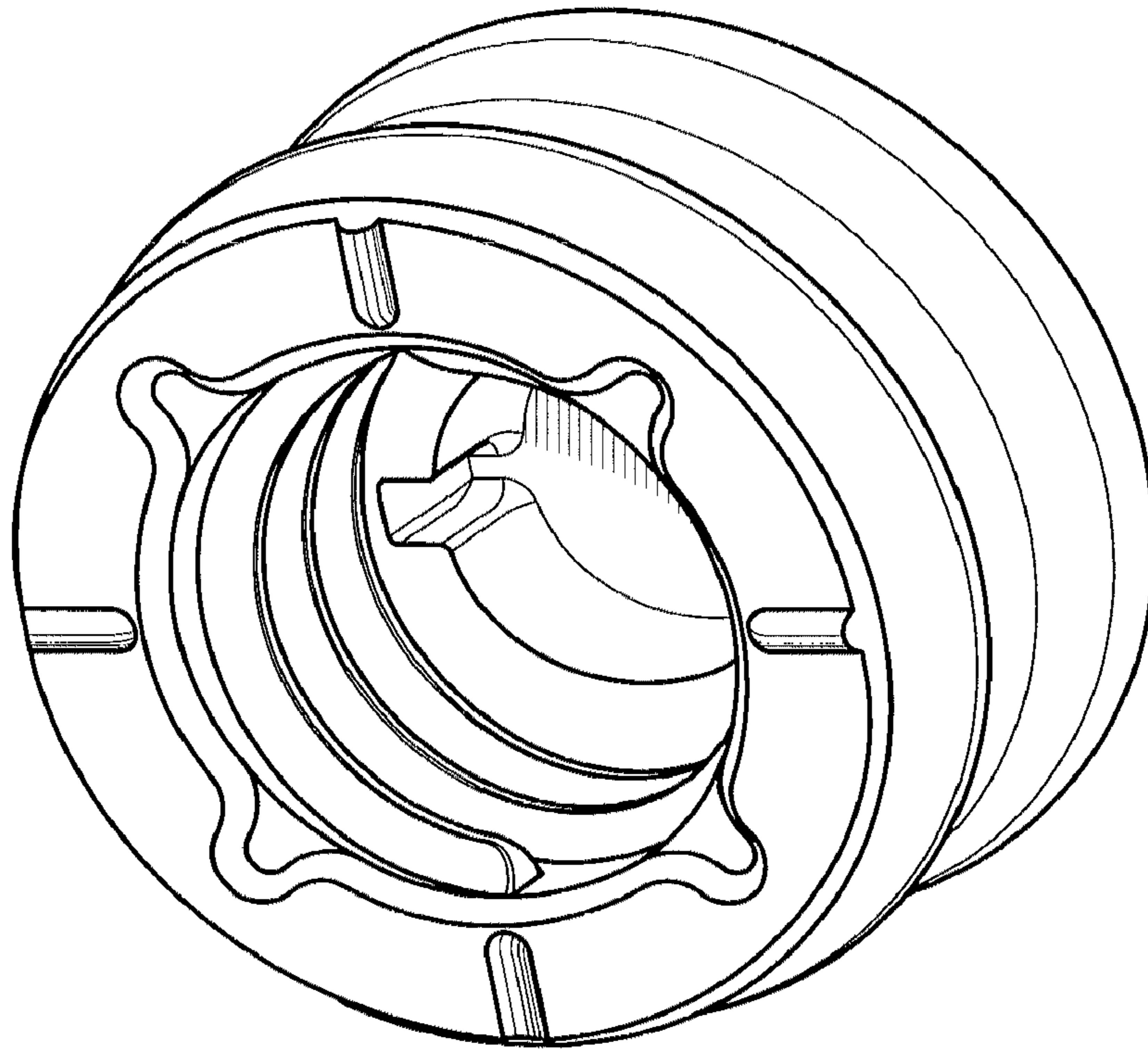


Fig. 2

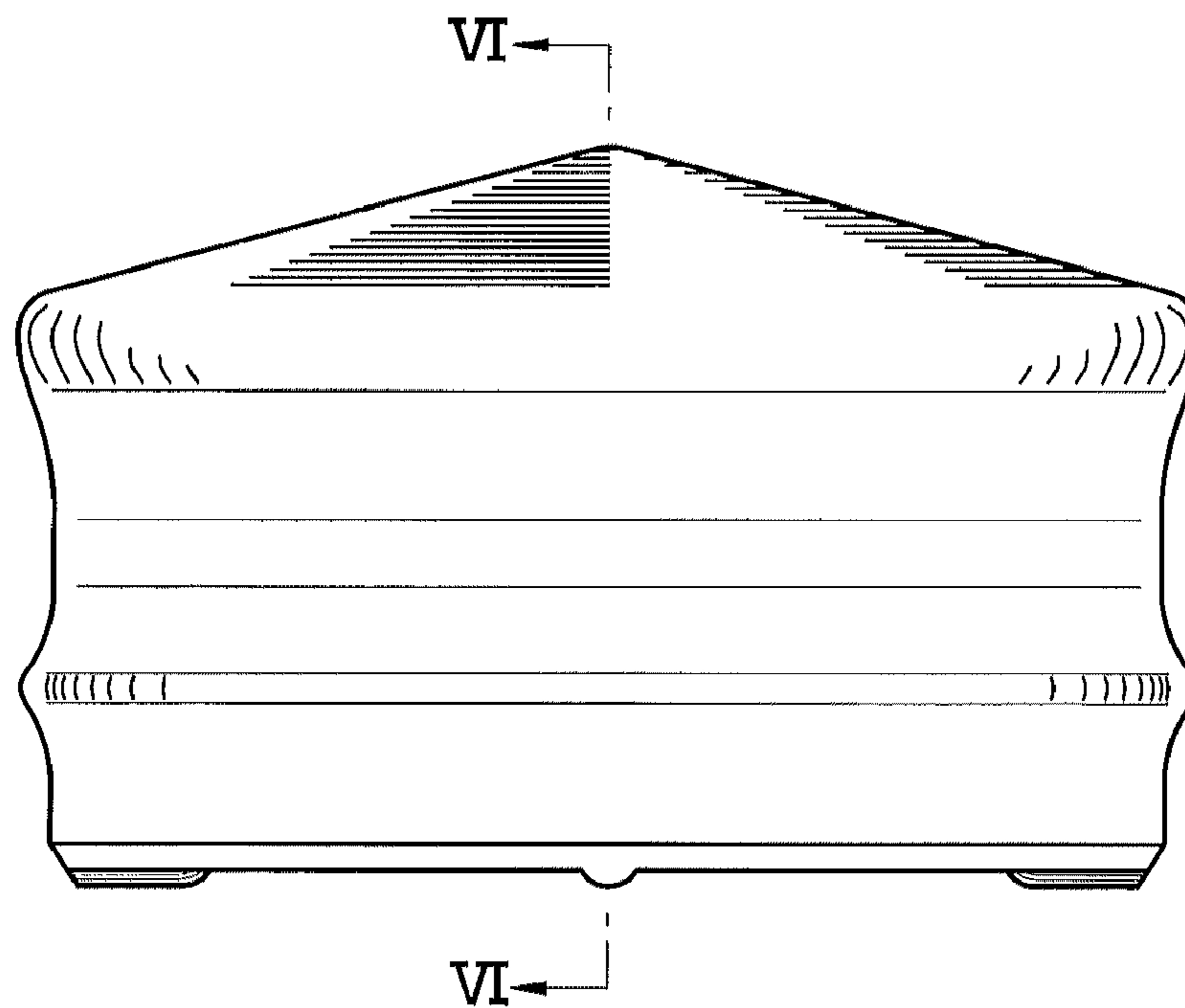


Fig. 3

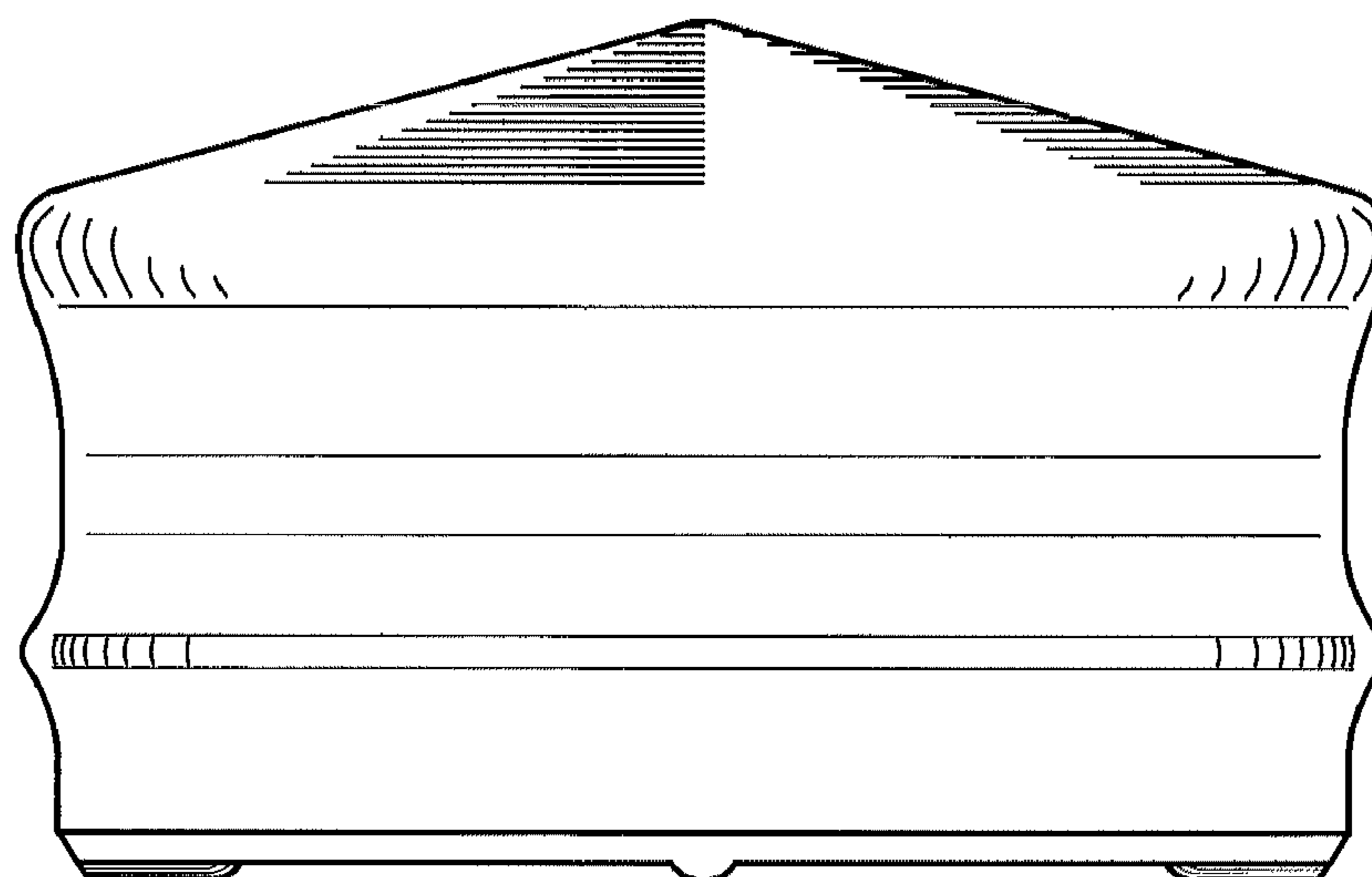


Fig. 4

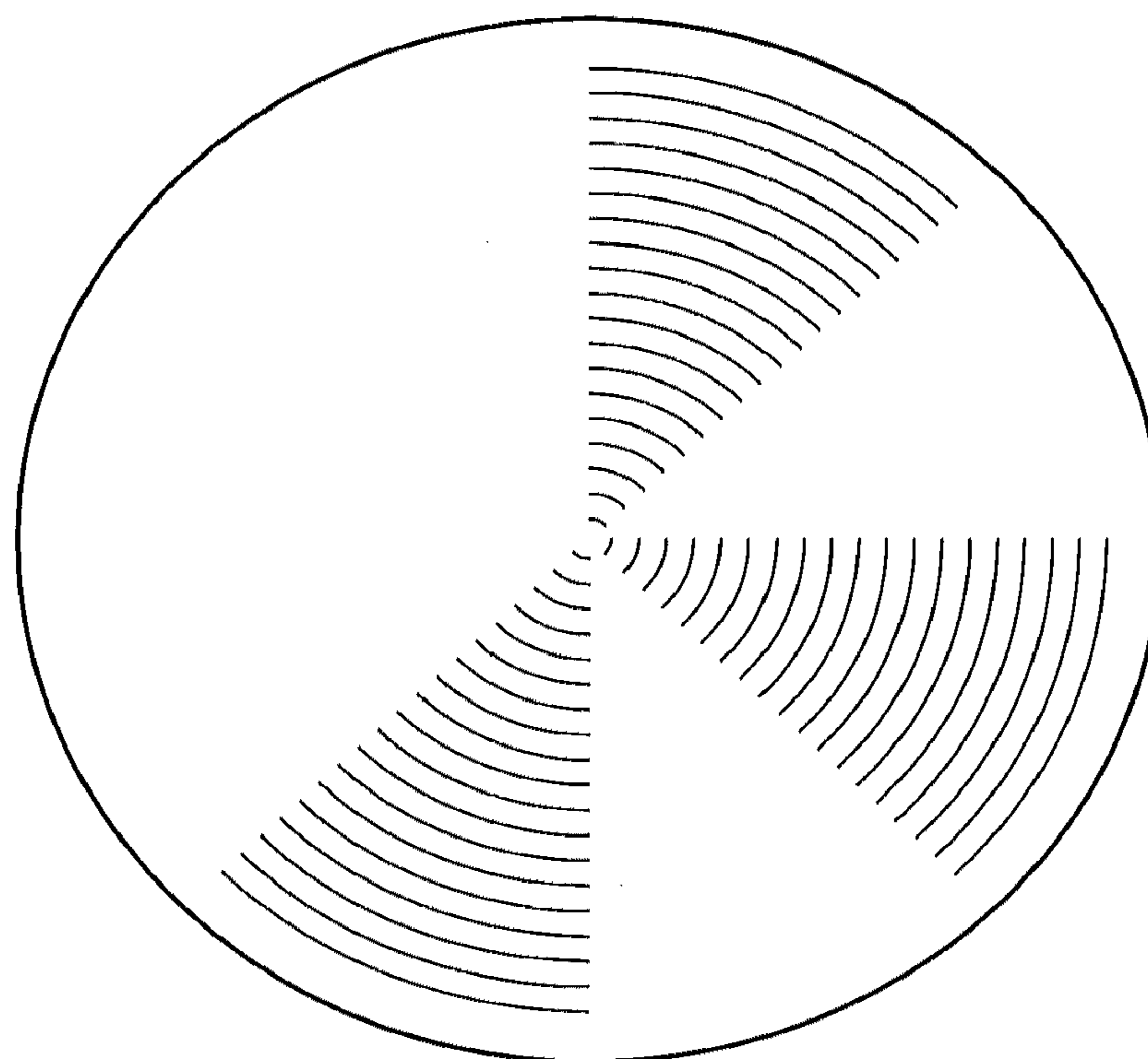


Fig. 5

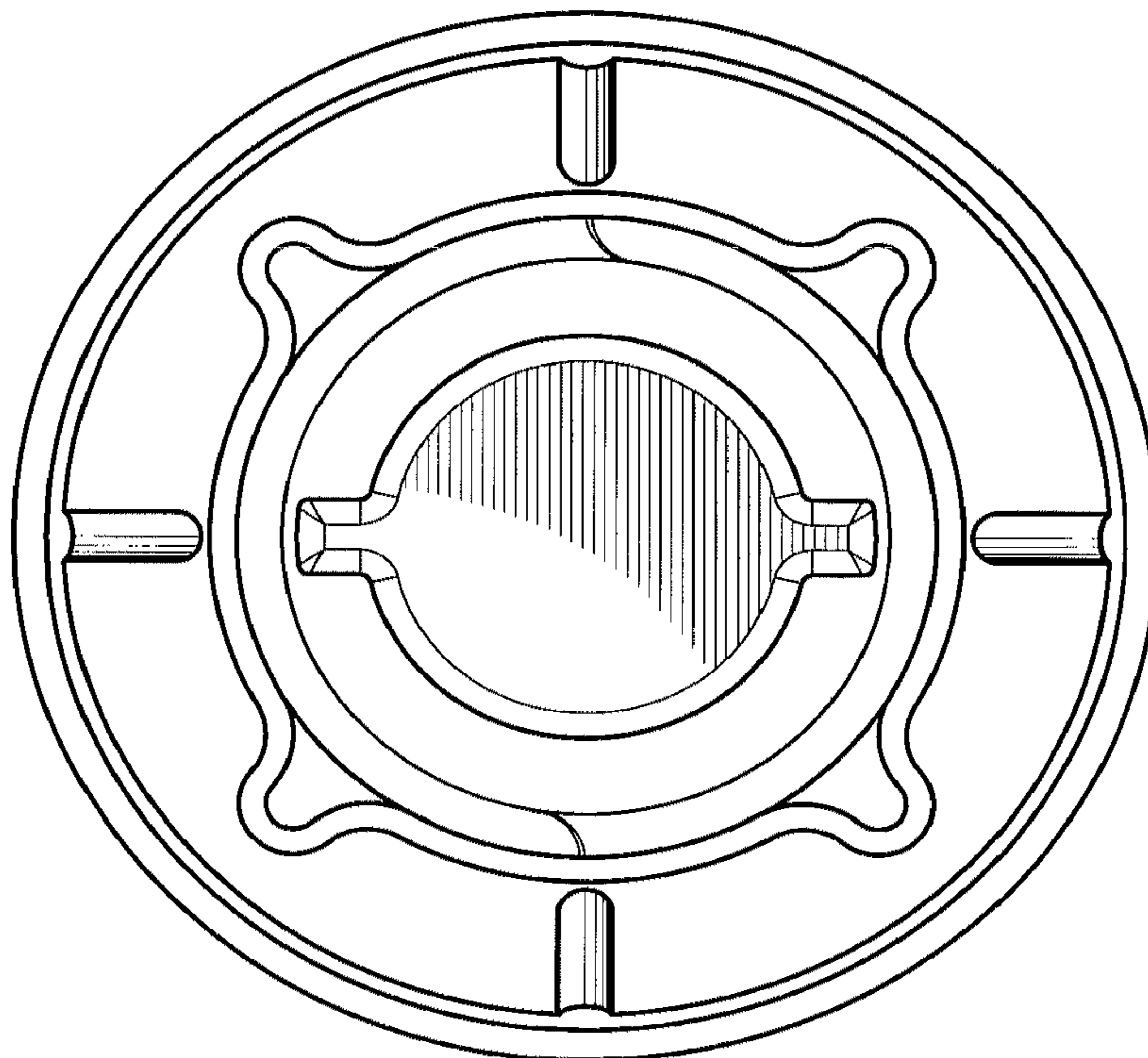


Fig. 6

