

US00D665496S

(12) **United States Design Patent**
Lee

(10) **Patent No.:** **US D665,496 S**
(45) **Date of Patent:** **** Aug. 14, 2012**

(54) **NASAL CANNULA**
(75) Inventor: **Gary C. J. Lee, I-Lan (TW)**
(73) Assignee: **Galemed Corporation (TW)**
(**) Term: **14 Years**
(21) Appl. No.: **29/411,366**
(22) Filed: **Jan. 19, 2012**

(30) **Foreign Application Priority Data**

Dec. 6, 2011 (TW) 100306654

(51) **LOC (9) Cl.** **29-02**
(52) **U.S. Cl.** **D24/110.5**
(58) **Field of Classification Search** D24/110.5,
D24/110, 110.6, 112-114, 133, 186, 130,
D24/127; 606/181, 185; 604/164.01-164.09,
604/533, 232, 187, 168.01, 192, 19, 48, 93.01,
604/264, 523, 524, 526; 600/101, 139, 143;
128/200.24, 207.14, 207.15, 207.18, 206.11
See application file for complete search history.

(56) **References Cited**

U.S. PATENT DOCUMENTS

3,902,486 A * 9/1975 Guichard 128/206.11
4,808,160 A * 2/1989 Timmons et al. 128/207.18

4,944,310 A * 7/1990 Sullivan 128/207.18
5,335,656 A * 8/1994 Bowe et al. 128/207.18
5,572,994 A * 11/1996 Smith 128/207.18
D533,269 S * 12/2006 McAuley et al. D24/110.6
D546,947 S * 7/2007 Nalagatla et al. D24/129
D551,340 S * 9/2007 Wood et al. D24/110
D559,383 S * 1/2008 Nalagatla et al. D24/110.5
7,614,401 B2 * 11/2009 Thompson 128/207.18
7,640,932 B2 * 1/2010 Curti et al. 128/207.18
7,775,210 B2 * 8/2010 Schobel et al. 128/207.18
RE42,843 E * 10/2011 Strickland et al. 128/207.18

* cited by examiner

Primary Examiner — David Muller

(74) *Attorney, Agent, or Firm* — Duane Morris LLP

(57) **CLAIM**

The ornamental design for a nasal cannula, as shown and described.

DESCRIPTION

FIG. 1 is a perspective view of a nasal cannula showing my new design;

FIG. 2 is a front elevational view thereof;

FIG. 3 is a rear elevational view thereof;

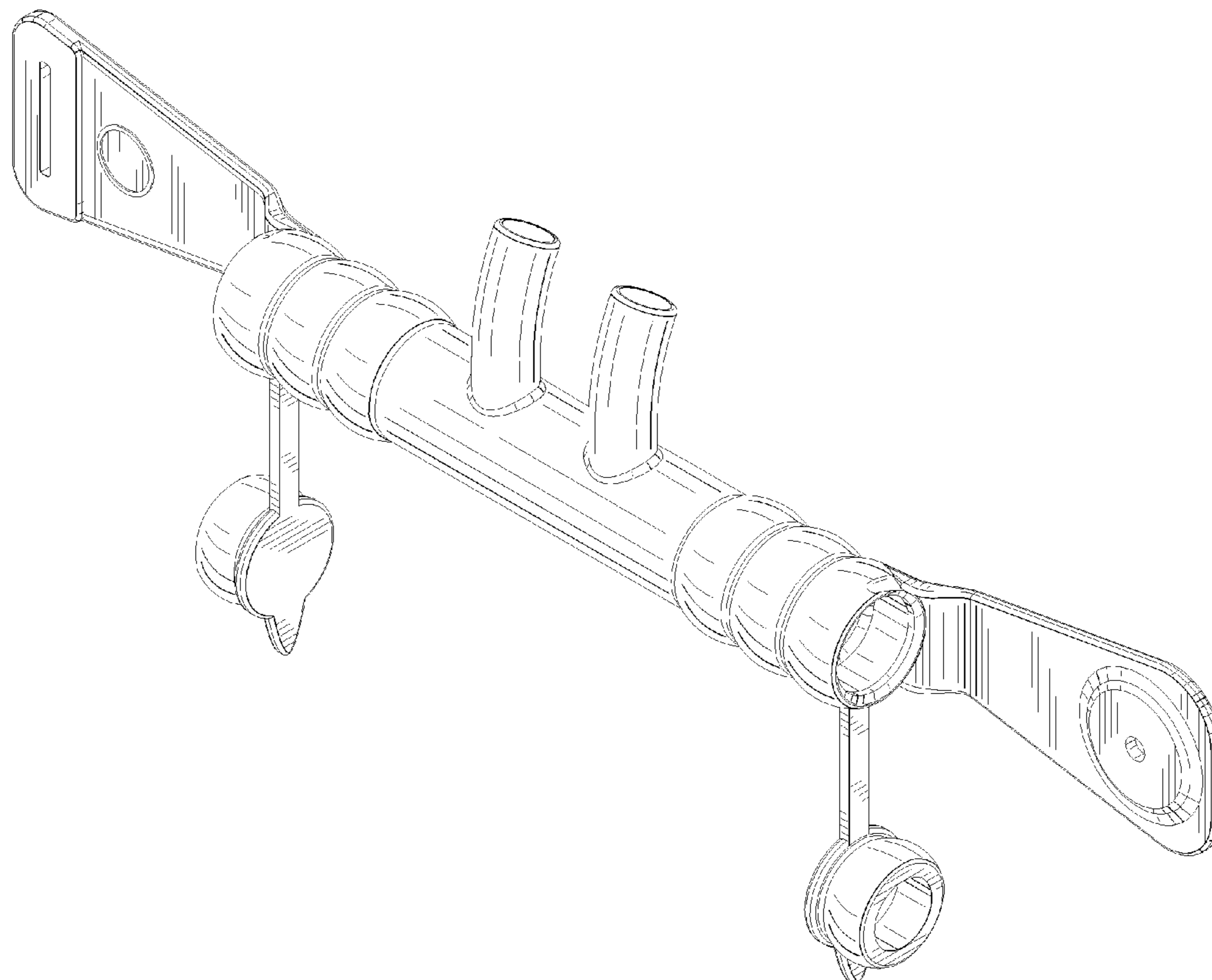
FIG. 4 is a left side elevational view thereof;

FIG. 5 is a right side elevational view thereof;

FIG. 6 is a top plan view thereof; and,

FIG. 7 is a bottom plan view thereof.

1 Claim, 6 Drawing Sheets



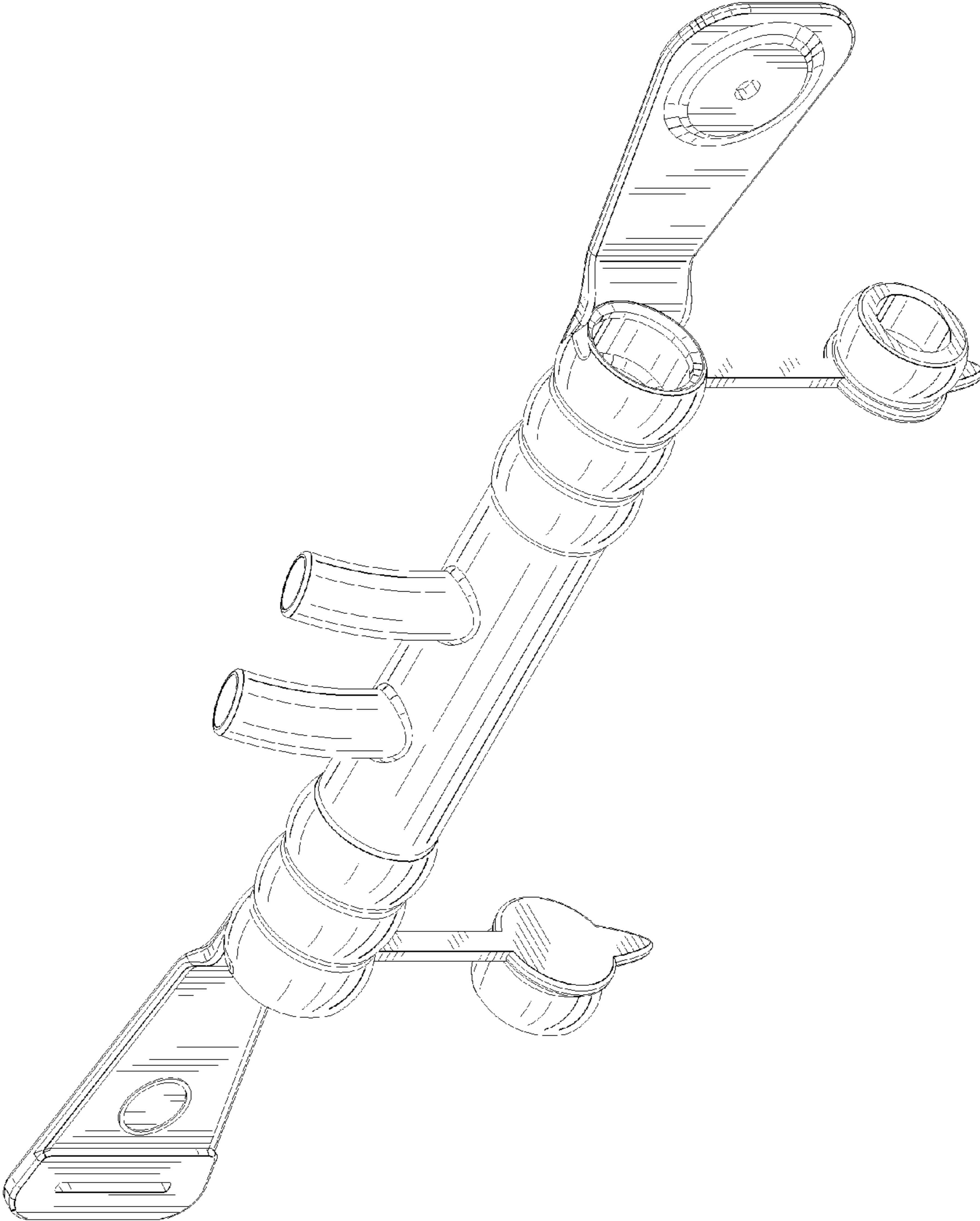


FIG. 1

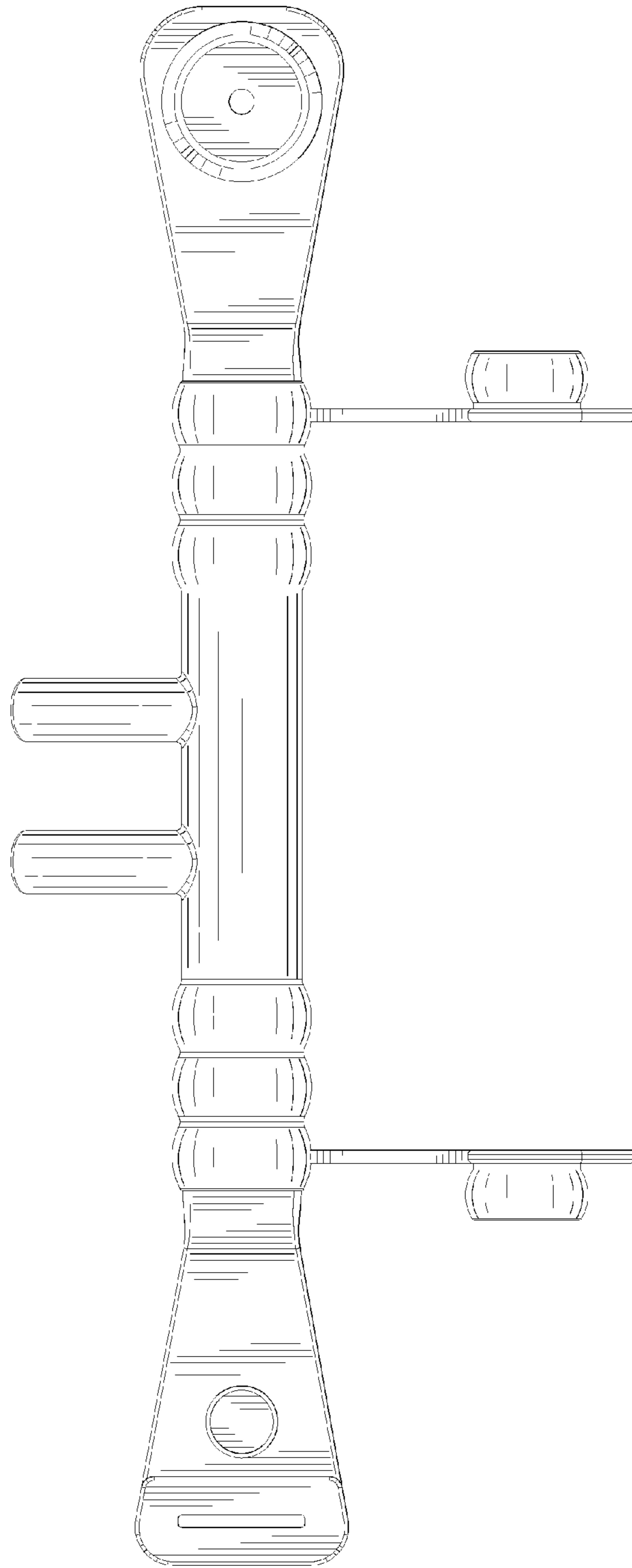


FIG. 2

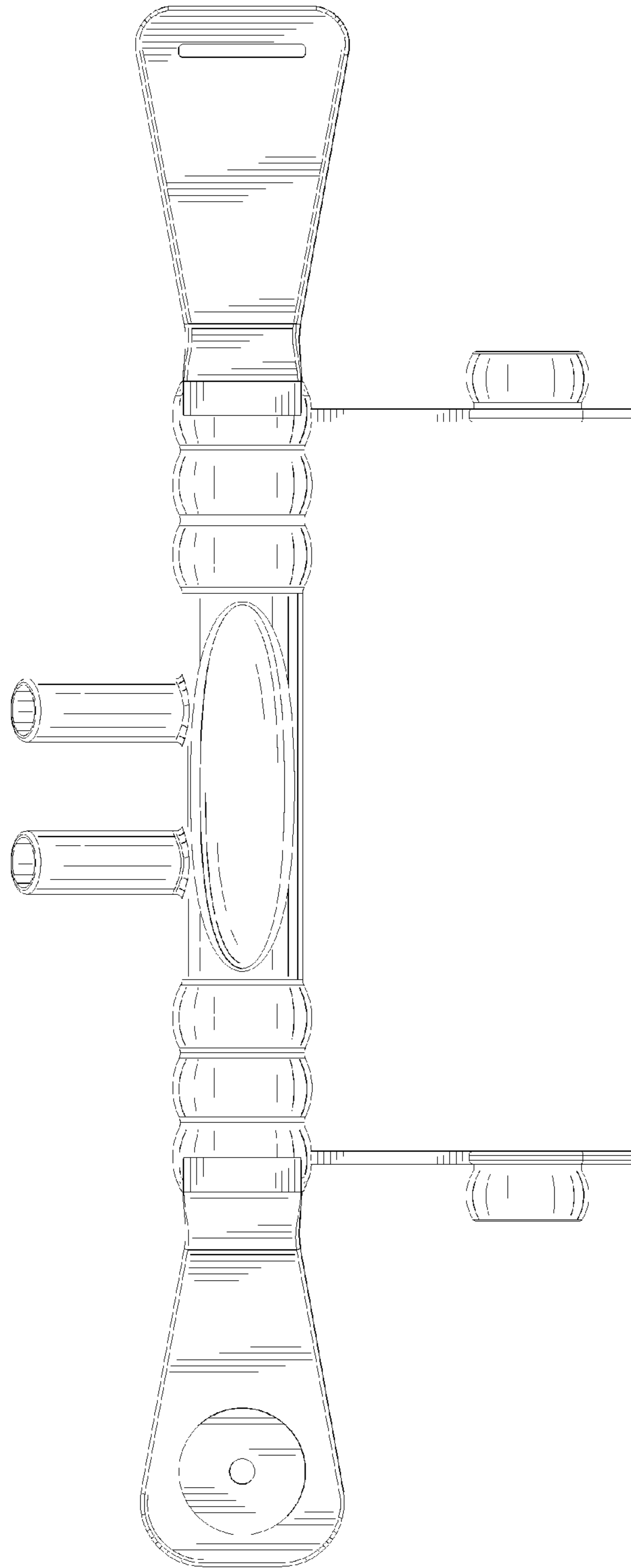


FIG. 3

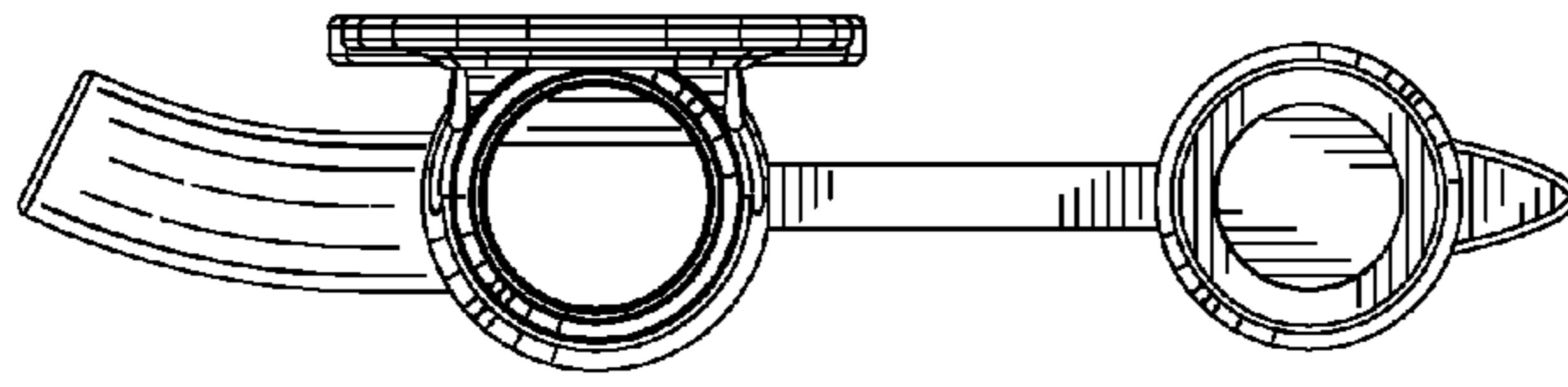


FIG. 5

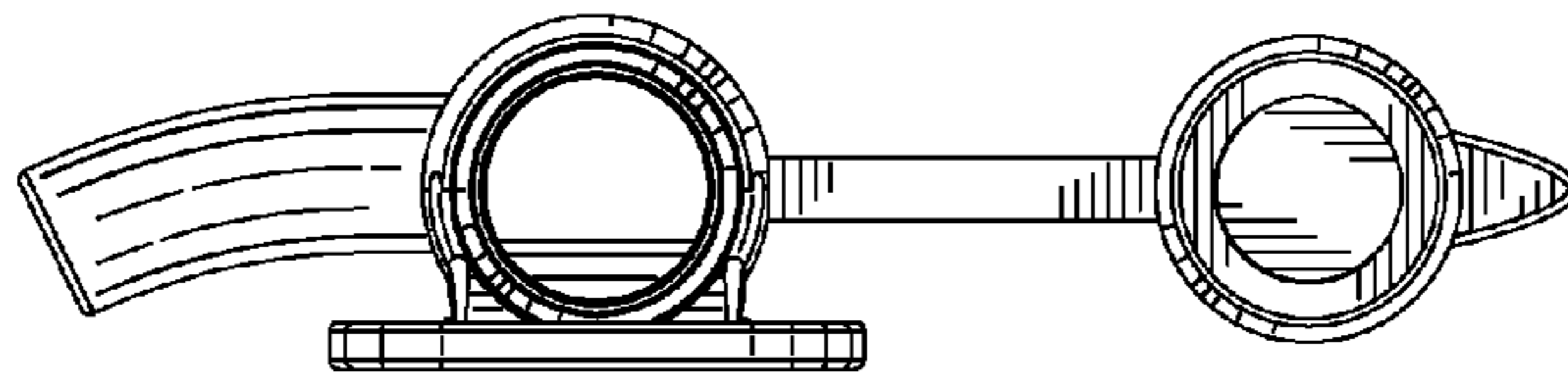


FIG. 4

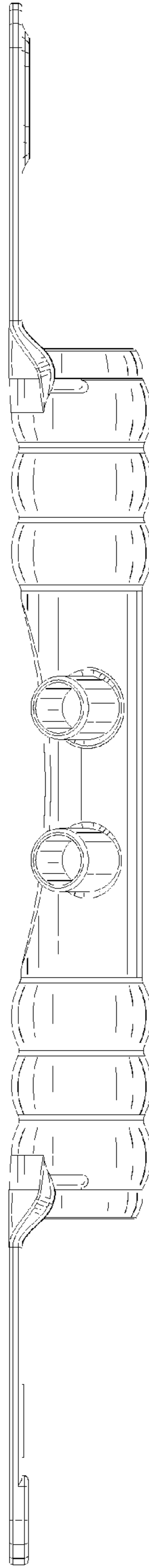


FIG. 6

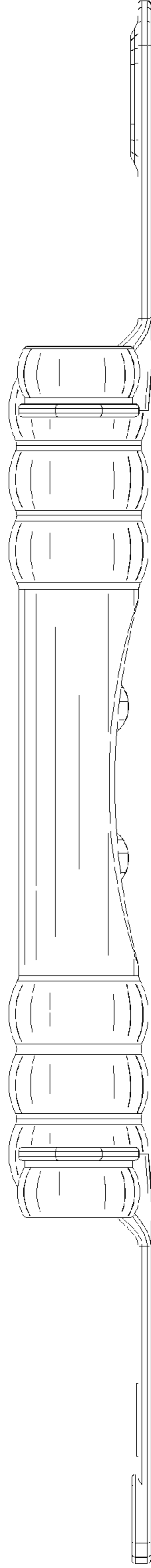


FIG. 7